



US00D434637S

# United States Patent [19]

[11] **Patent Number: Des. 434,637**

**Habeck et al.**

[45] **Date of Patent: \*\* Dec. 5, 2000**

[54] **STAY BAR BRACKET FOR SINGLE GLIDER WINDOW**

D. 406,750 3/1999 Opielski et al. .... D8/400  
2,799,903 7/1957 Alexander ..... 49/248 X  
5,083,344 1/1992 Pettit et al. .... 16/363 X

[75] Inventors: **Jerome Carl Habeck**, Holt; **Dennis C. Westphal**, Parma, both of Mich.; **David S. Levine**, King of Prussia; **Stanley Gursky**, Yardley, both of Pa.

*Primary Examiner*—Holly Baynham  
*Attorney, Agent, or Firm*—Duane Morris & Heckscher LLP

[73] Assignee: **CertainTeed Corporation**, Valley Forge, Pa.

### [57] CLAIM

The ornamental design for a stay bar bracket for single glider window, as shown and described.

[\*\*] Term: **14 Years**

### DESCRIPTION

[21] Appl. No.: **29/118,209**

FIG. 1: is a front perspective view of a stay bar bracket for single glider window showing our new design;

[22] Filed: **Feb. 4, 2000**

FIG. 2: is a rear elevational view of the stay bar bracket of FIG. 1;

[51] **LOC (7) Cl.** ..... **08-05**

[52] **U.S. Cl.** ..... **D8/349**

[58] **Field of Search** ..... D8/349, 354, 363,  
D8/400; D25/124; 248/300, 200, 229.1;  
16/363, 368; 49/248

FIG. 3: is a top plan view of the stay bar bracket of FIG. 1; and,

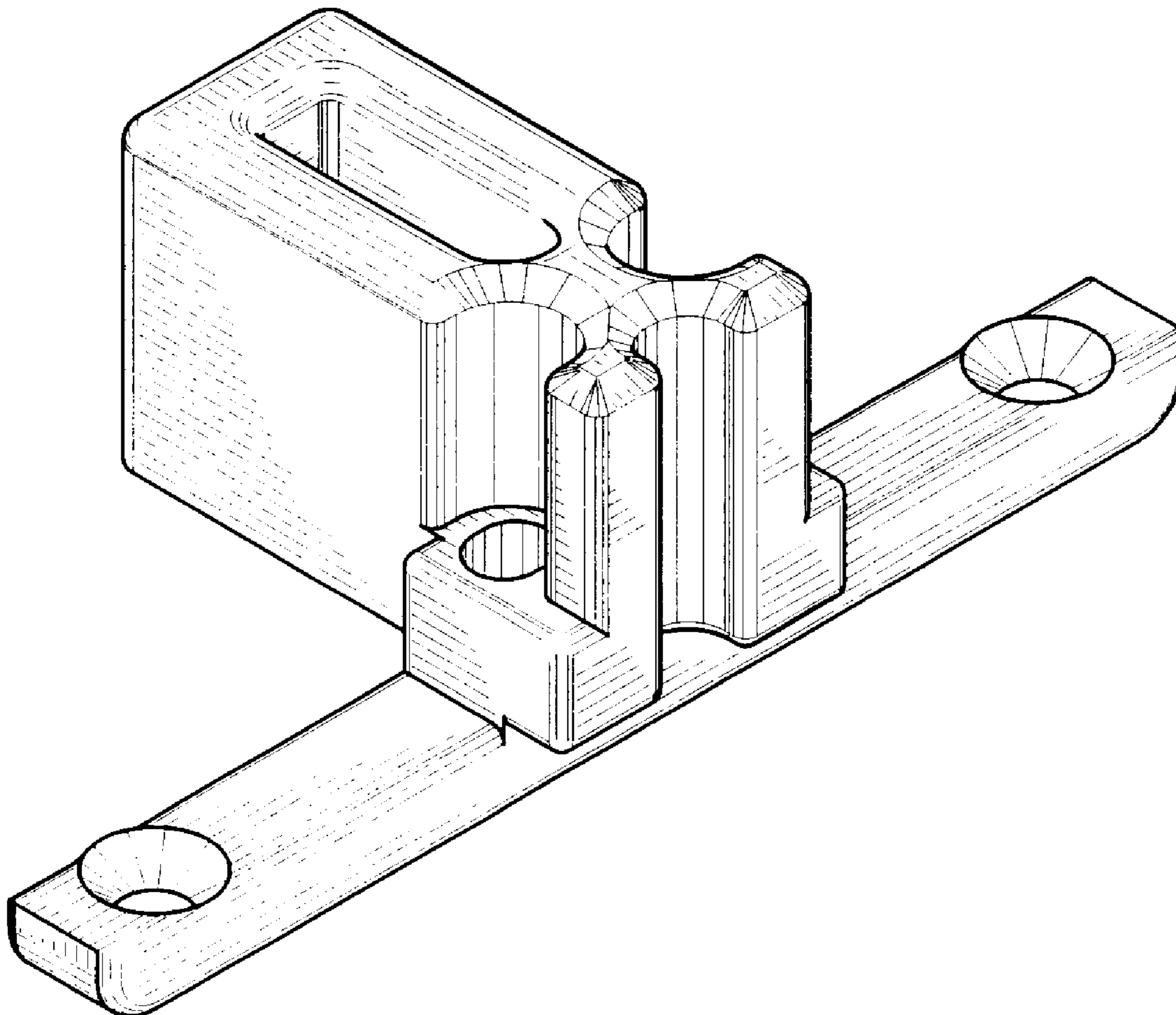
FIG. 4: is a left side elevational view of the stay bar bracket of FIG. 1, the right side elevational view being a mirror image thereof.

### [56] References Cited

#### U.S. PATENT DOCUMENTS

D. 376,098 12/1996 Bucher ..... D8/400

**1 Claim, 2 Drawing Sheets**



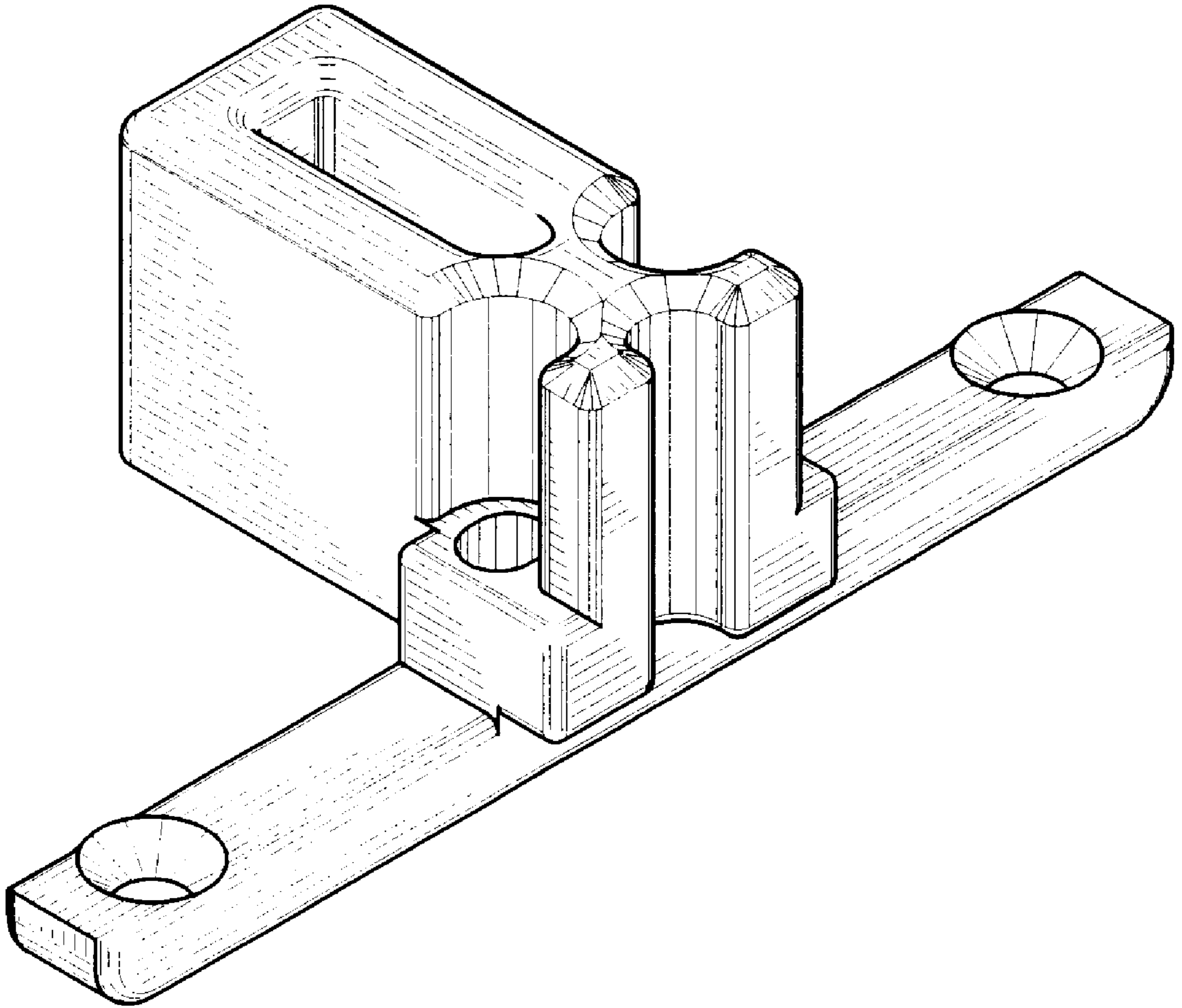


FIG. 1

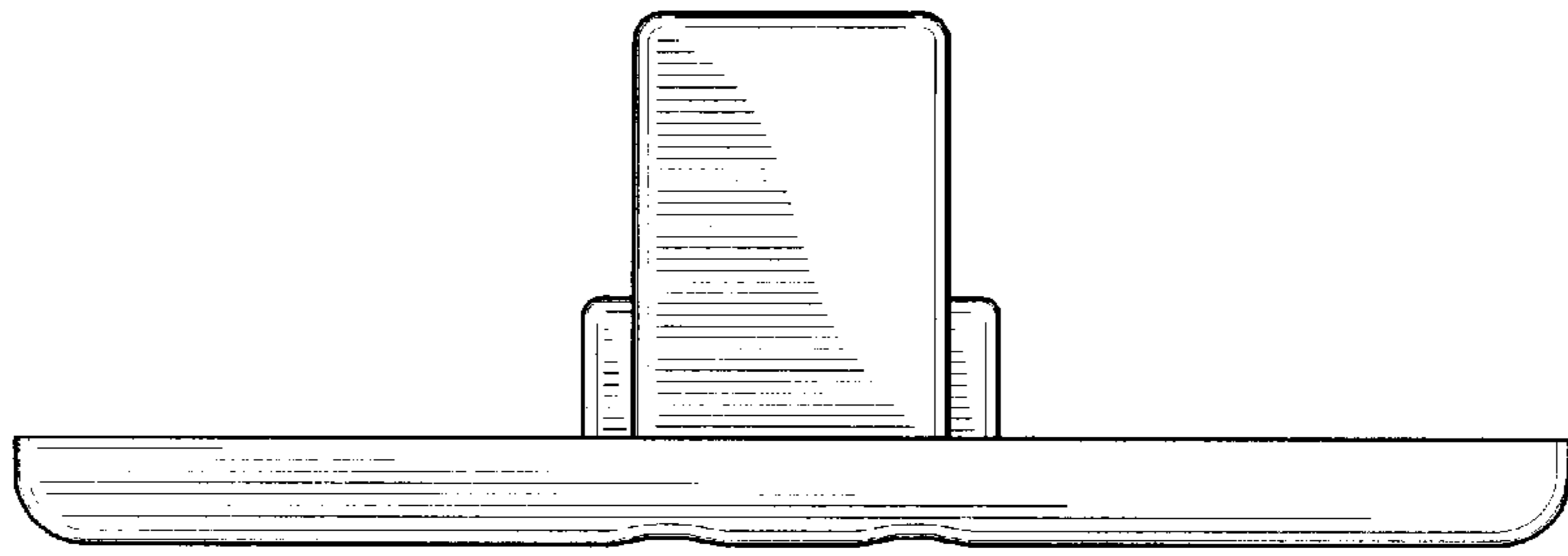


FIG. 2

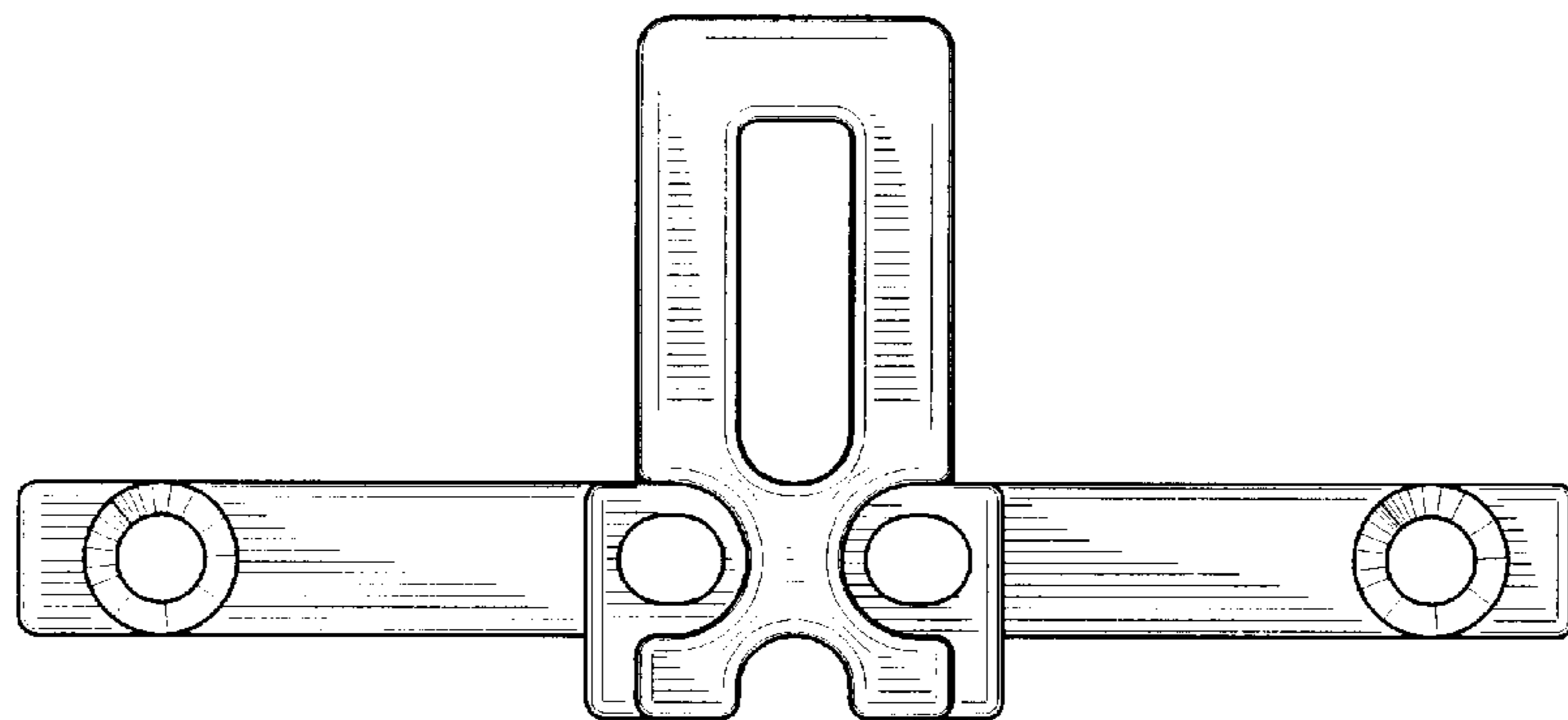


FIG. 3

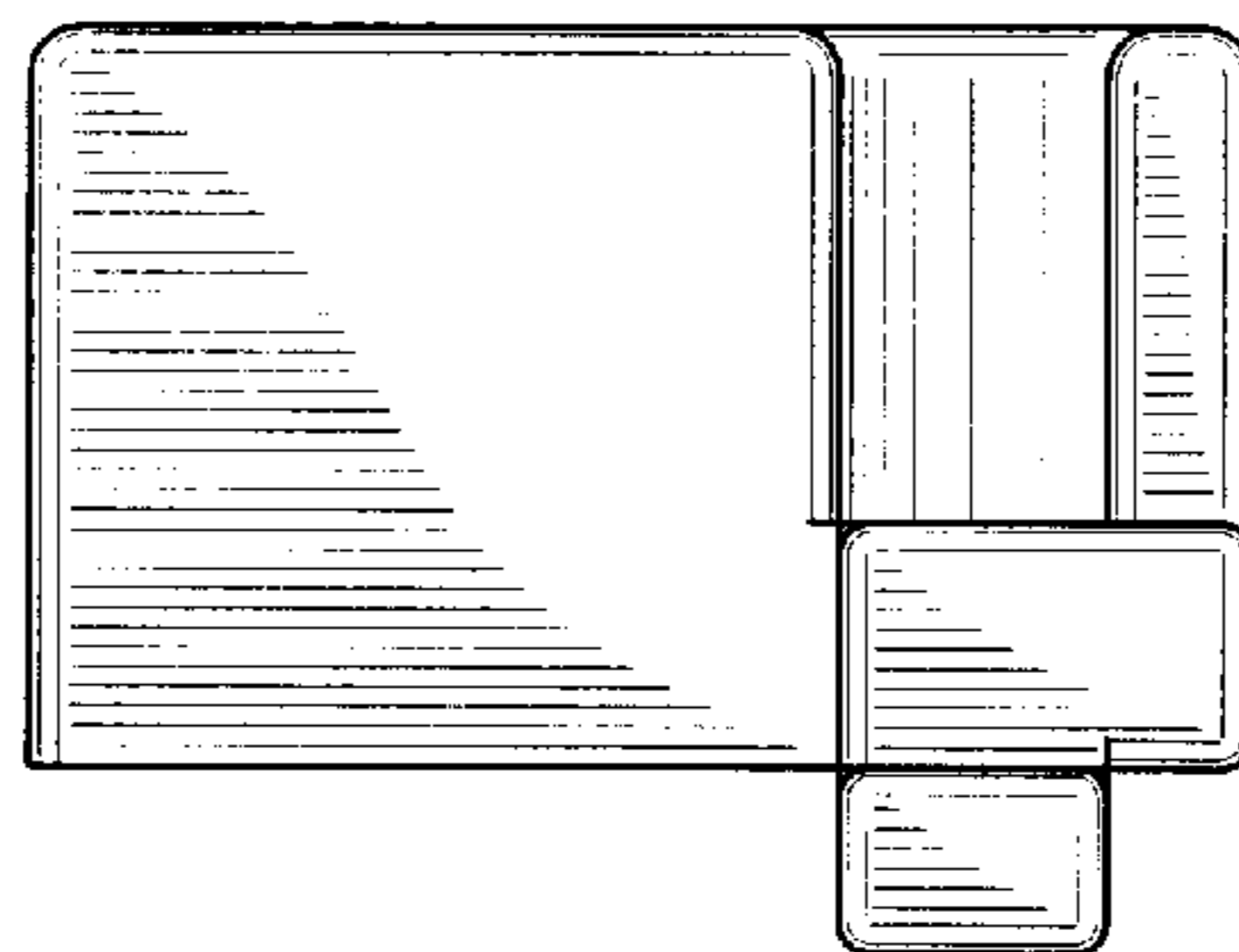


FIG. 4