



US00D434635S

**United States Patent** [19]  
**Ruan**

[11] **Patent Number: Des. 434,635**  
[45] **Date of Patent: \*\* Dec. 5, 2000**

[54] **COMBINATION PADLOCK**

D. 346,948 5/1994 Pedlar ..... D8/334  
D. 372,187 7/1996 Ling ..... D8/334  
4,444,029 4/1984 Remington ..... 70/25

[75] Inventor: **Jiaqiang Ruan**, Taishan, China

[73] Assignee: **Toi Shan Wah Yat Hardware Co., Ltd.**, China

*Primary Examiner*—Brian N. Vinson  
*Attorney, Agent, or Firm*—Banner & Witcoff, Ltd.

[\*\*] Term: **14 Years**

[57] **CLAIM**

[21] Appl. No.: **29/102,191**

The ornamental design for a combination padlock, as shown and described.

[22] Filed: **Mar. 19, 1999**

**DESCRIPTION**

[30] **Foreign Application Priority Data**

Sep. 30, 1998 [CN] China ..... 98 3 20342

FIG. 1 is a front elevational view of a combination padlock showing my new design.

[51] **LOC (7) Cl.** ..... **08-07**

FIG. 2 is a rear elevational view thereof.

[52] **U.S. Cl.** ..... **D8/334**

FIG. 3 is a right side elevational view thereof.

[58] **Field of Search** ..... D8/333, 334; 70/20-22,  
70/24-29, 35, 41-44

FIG. 4 is a left side elevational view thereof.

FIG. 5 is a bottom plan view thereof.

FIG. 6 is a top plan view thereof; and,

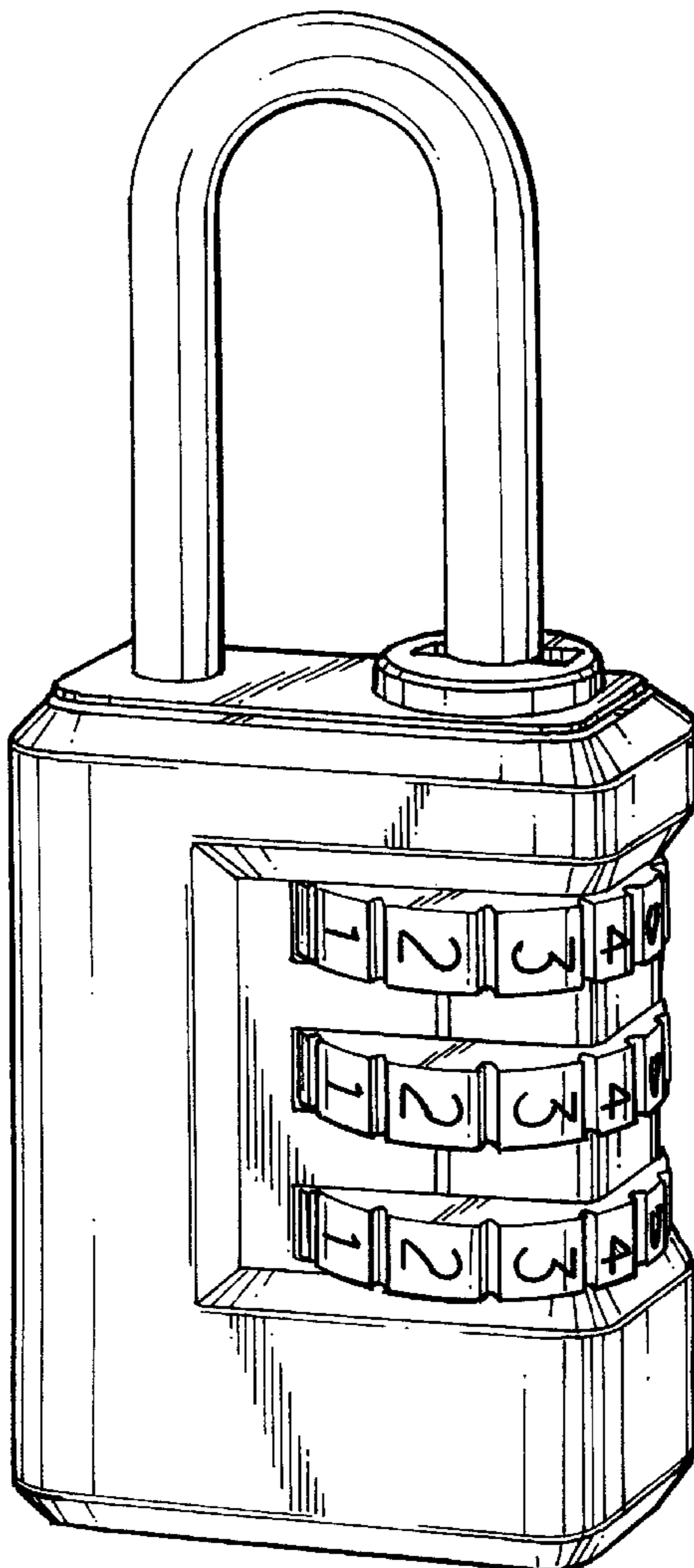
FIG. 7 is a perspective view thereof.

[56] **References Cited**

**U.S. PATENT DOCUMENTS**

D. 294,453 3/1988 Ling ..... D8/334

**1 Claim, 5 Drawing Sheets**



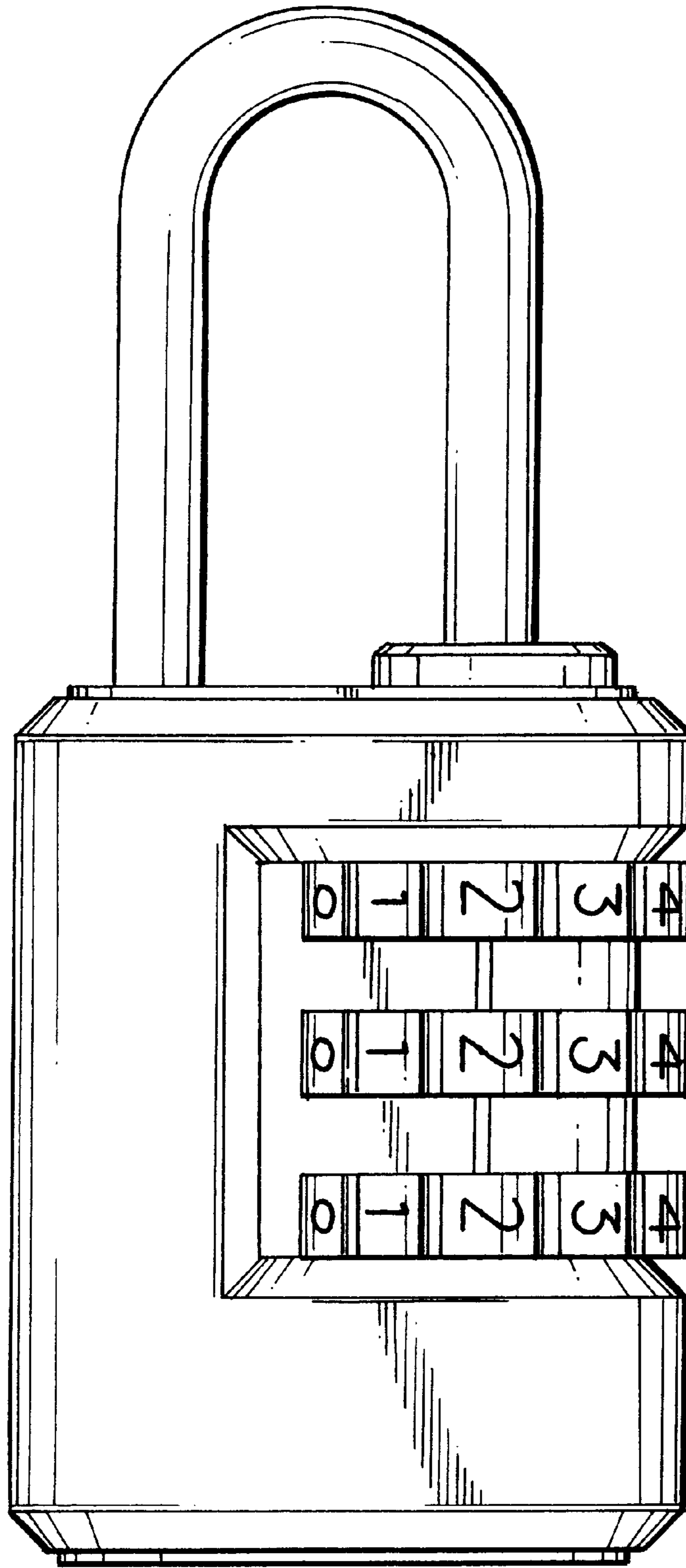


FIG. 1

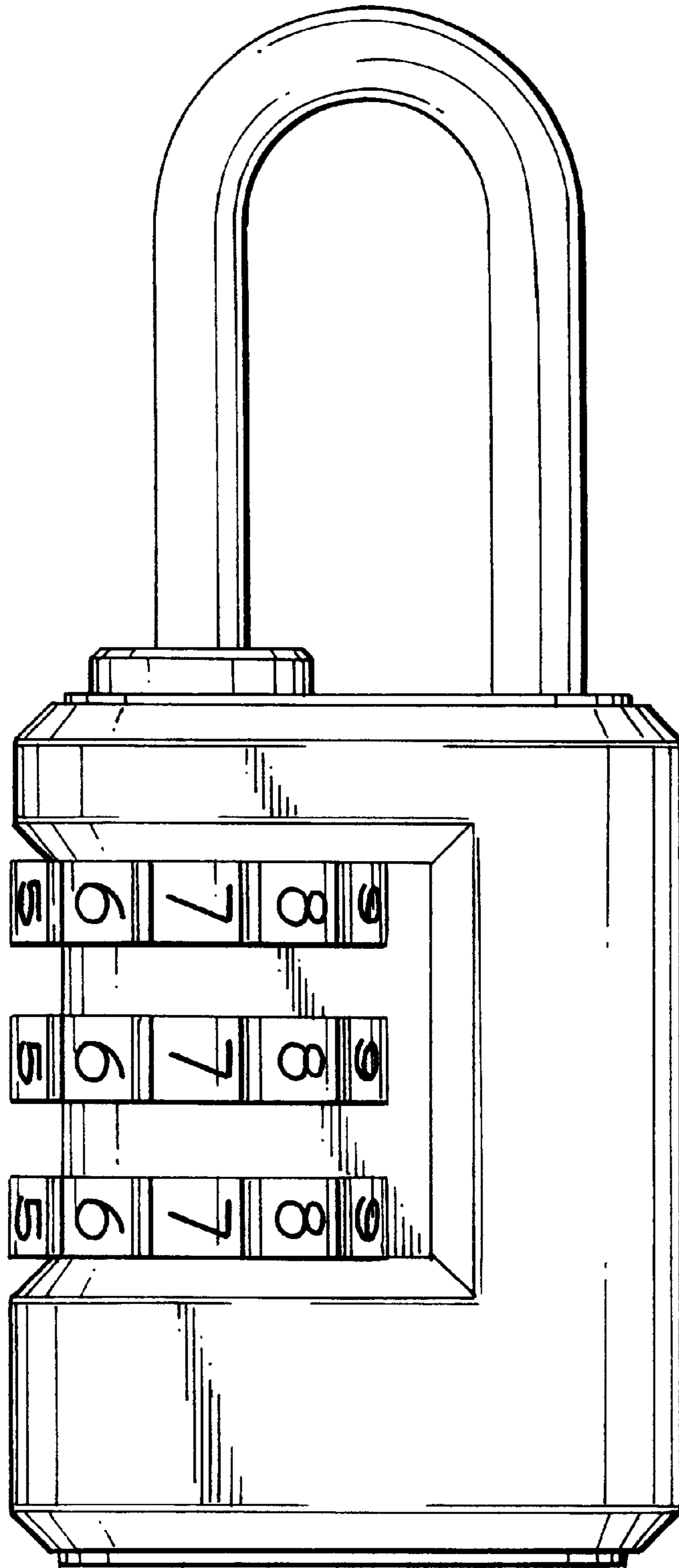


FIG. 2

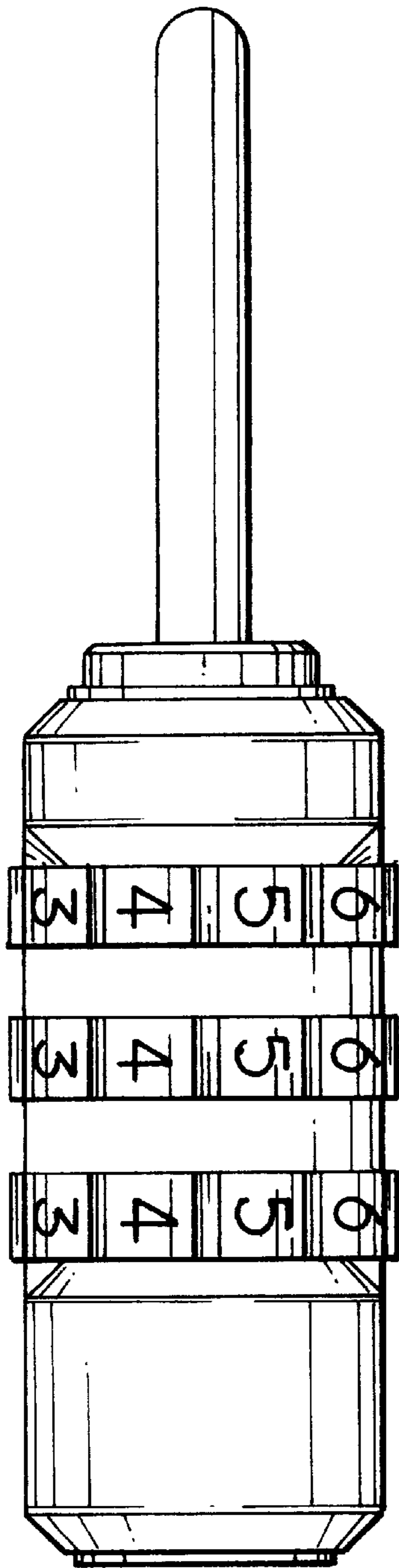


FIG. 3

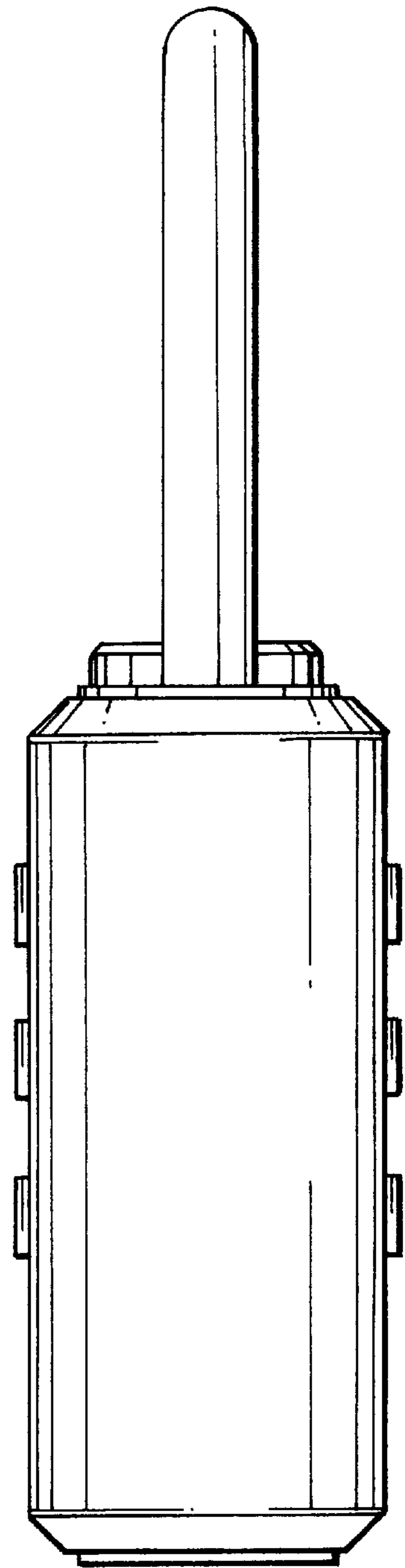


FIG. 4

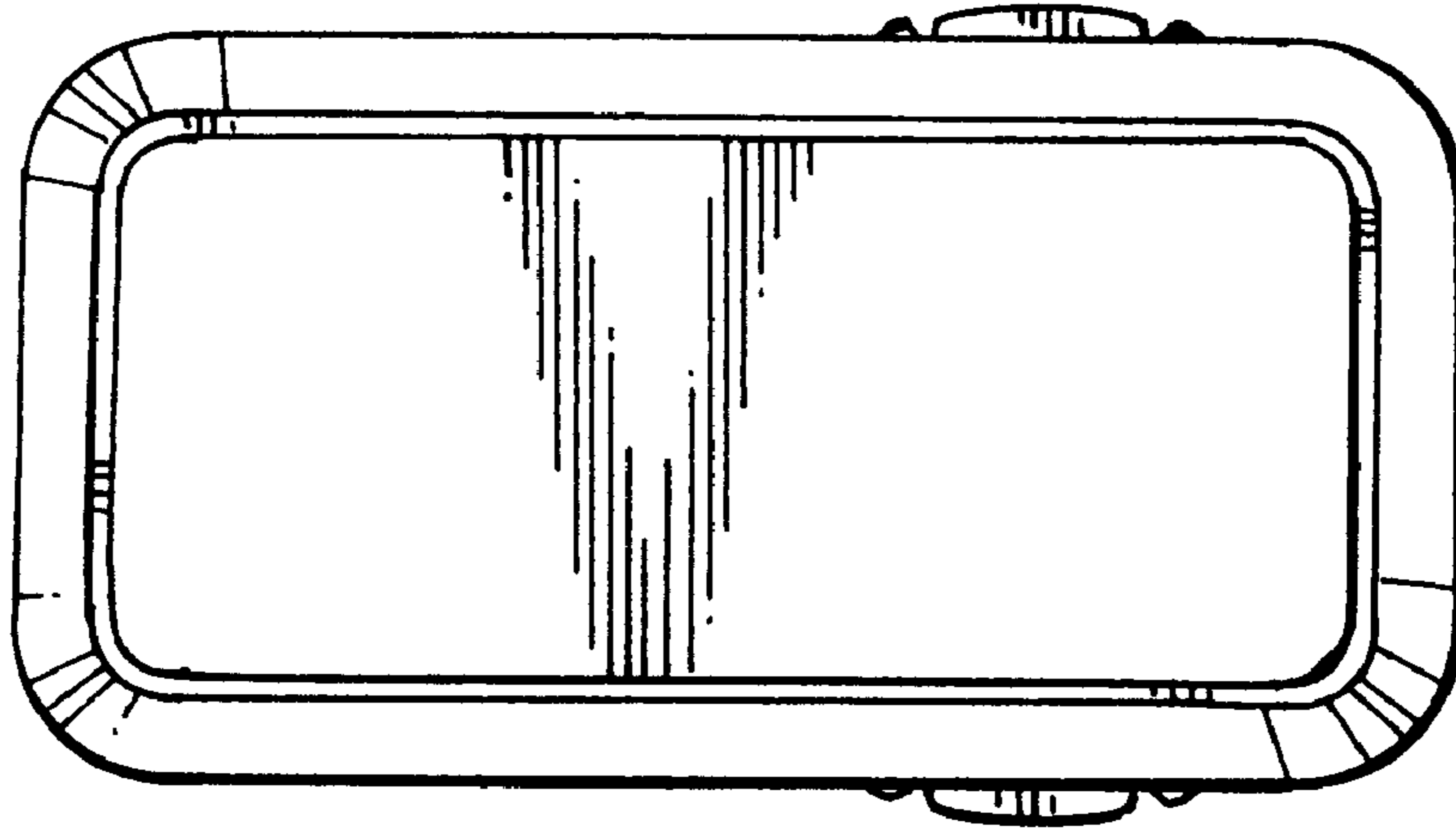


FIG. 5

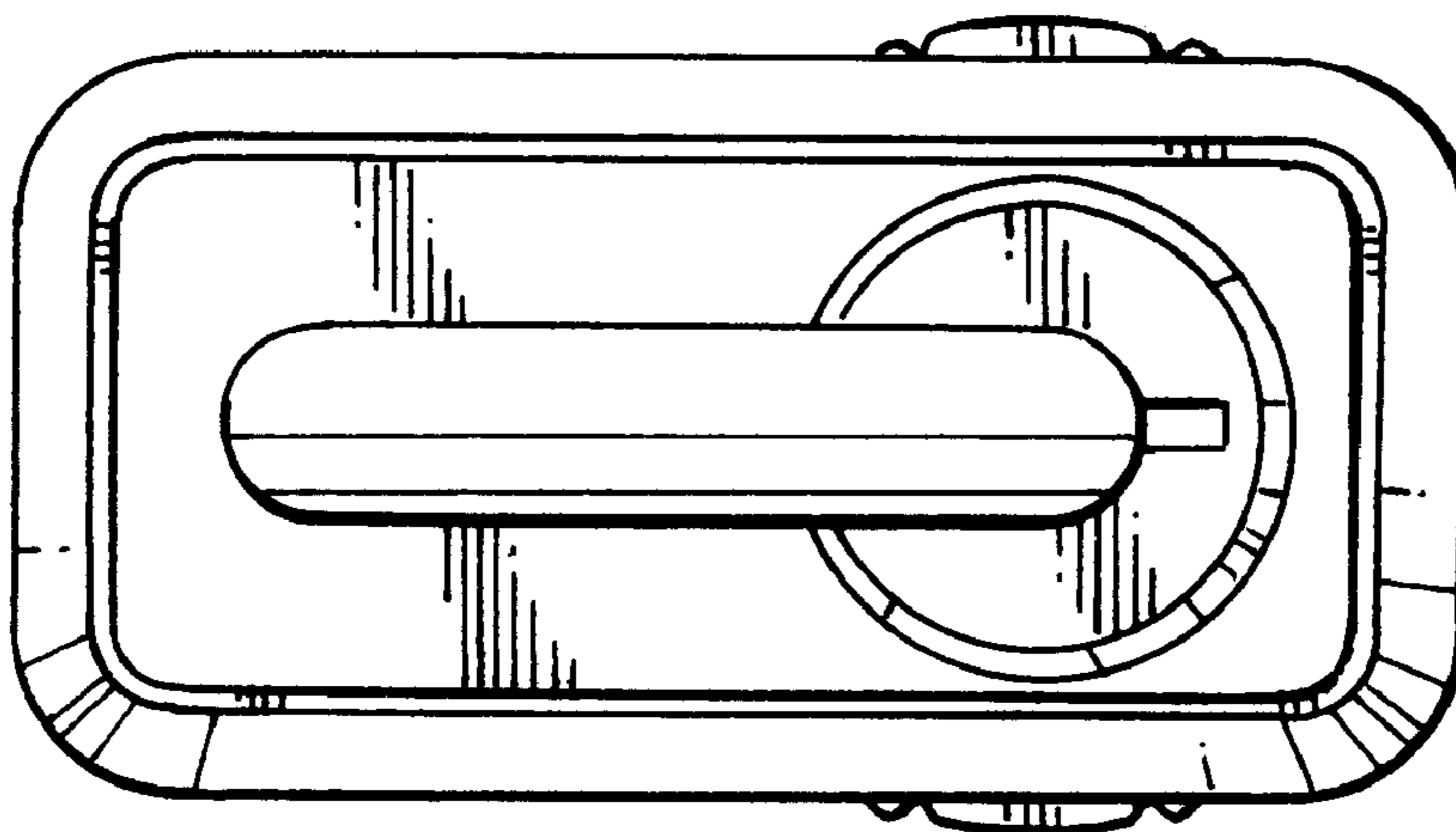


FIG. 6

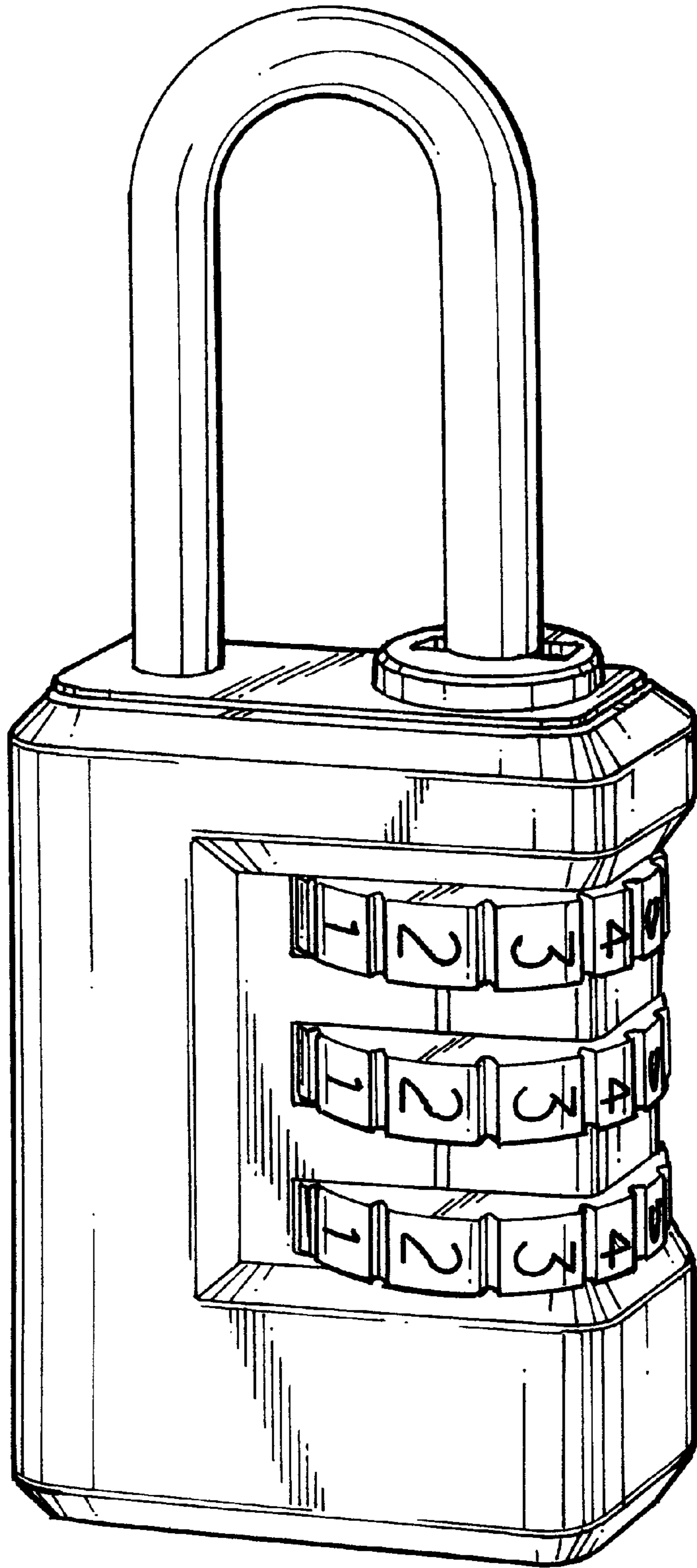


FIG. 7