



US00D434634S

# United States Patent [19]

Korn et al.

[11] Patent Number: **Des. 434,634**

[45] Date of Patent: **\*\* Dec. 5, 2000**

[54] **HANDLE**

[75] Inventors: **Francis E. Korn**, Durham, Conn.;  
**Allen Epstein**, Clifton, N.J.

[73] Assignee: **The Durham Manufacturing Company**

[\*\*] Term: **14 Years**

[21] Appl. No.: **29/121,539**

[22] Filed: **Apr. 7, 2000**

### Related U.S. Application Data

[62] Division of application No. 29/110,156, Sep. 1, 1999, Pat. No. Des. 426,761, which is a division of application No. 29/080,647, Dec. 12, 1997, Pat. No. Des. 417,080.

[51] **LOC (7) Cl.** ..... **08-06**

[52] **U.S. Cl.** ..... **D8/317; D3/318**

[58] **Field of Search** ..... D8/300-302, 315-320;  
D3/276, 279, 281-282, 289, 291, 318;  
16/114.1, 406, 408-410; 190/900-902,  
115-118

### [56] References Cited

#### U.S. PATENT DOCUMENTS

D. 216,853 3/1970 Schurman ..... D3/281

D. 259,075	5/1981	Solomon	.....	D3/289
D. 340,863	11/1993	Daigle	.....	D9/434
3,291,266	12/1966	Komroff	.....	190/115
4,112,541	9/1978	Tetradis	.....	294/165
5,833,065	11/1998	Burgess	.....	206/373

*Primary Examiner*—Louis S. Zarfaz  
*Assistant Examiner*—Robert A. Delehanty  
*Attorney, Agent, or Firm*—John H. Crozier

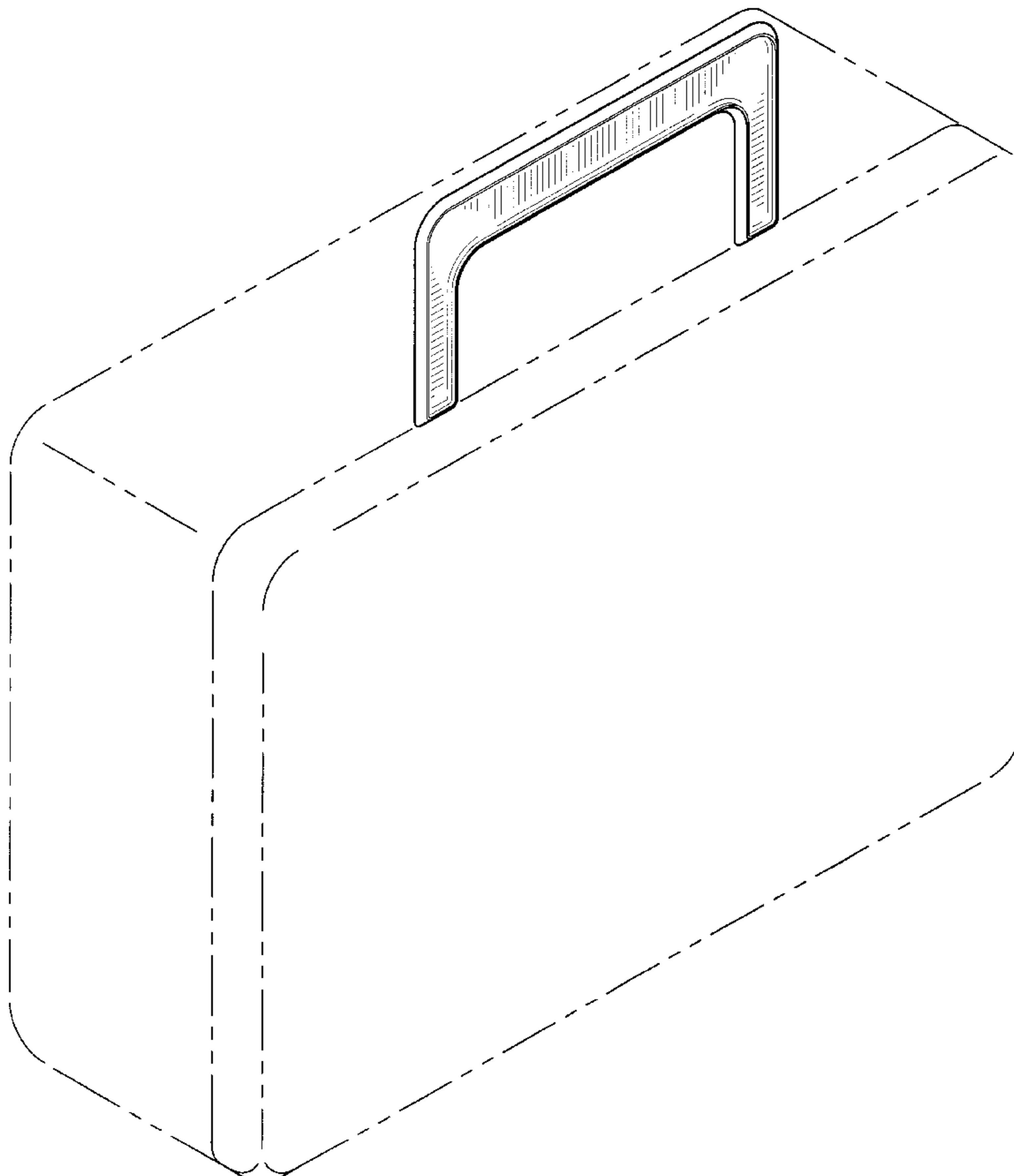
### [57] CLAIM

The ornamental design for a handle, as shown and described.

### DESCRIPTION

FIG. 1 is a left/top/front isometric view of a handle of our new design shown in an upright position, it being understood that the carrying case shown in broken lines is for illustrative purposes only and forms no part of the claimed design; FIG. 2 is a left/top/rear isometric view of the handle shown in a folded position thereof; FIG. 3 is an enlarged front elevational view thereof; FIG. 4 is an enlarged rear elevational view thereof; FIG. 5 is an enlarged top plan view thereof; FIG. 6 is an enlarged bottom plan view thereof; FIG. 7 is an enlarged left side view thereof; FIG. 8 is an enlarged right side view thereof; and, FIG. 9 is an enlarged left side cross-sectional elevational view taken along line "9-9" of FIG. 3 thereto.

**1 Claim, 4 Drawing Sheets**



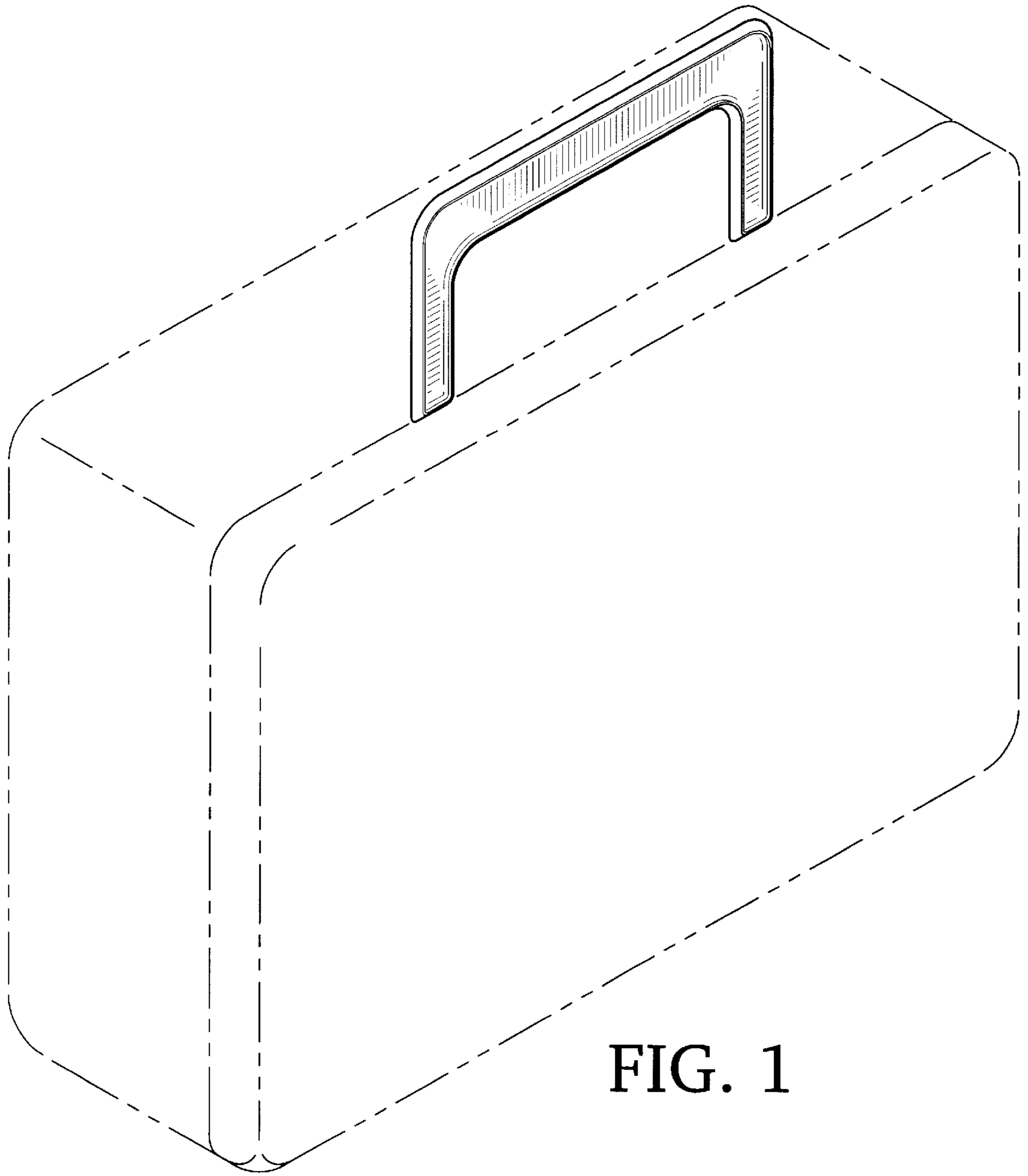


FIG. 1

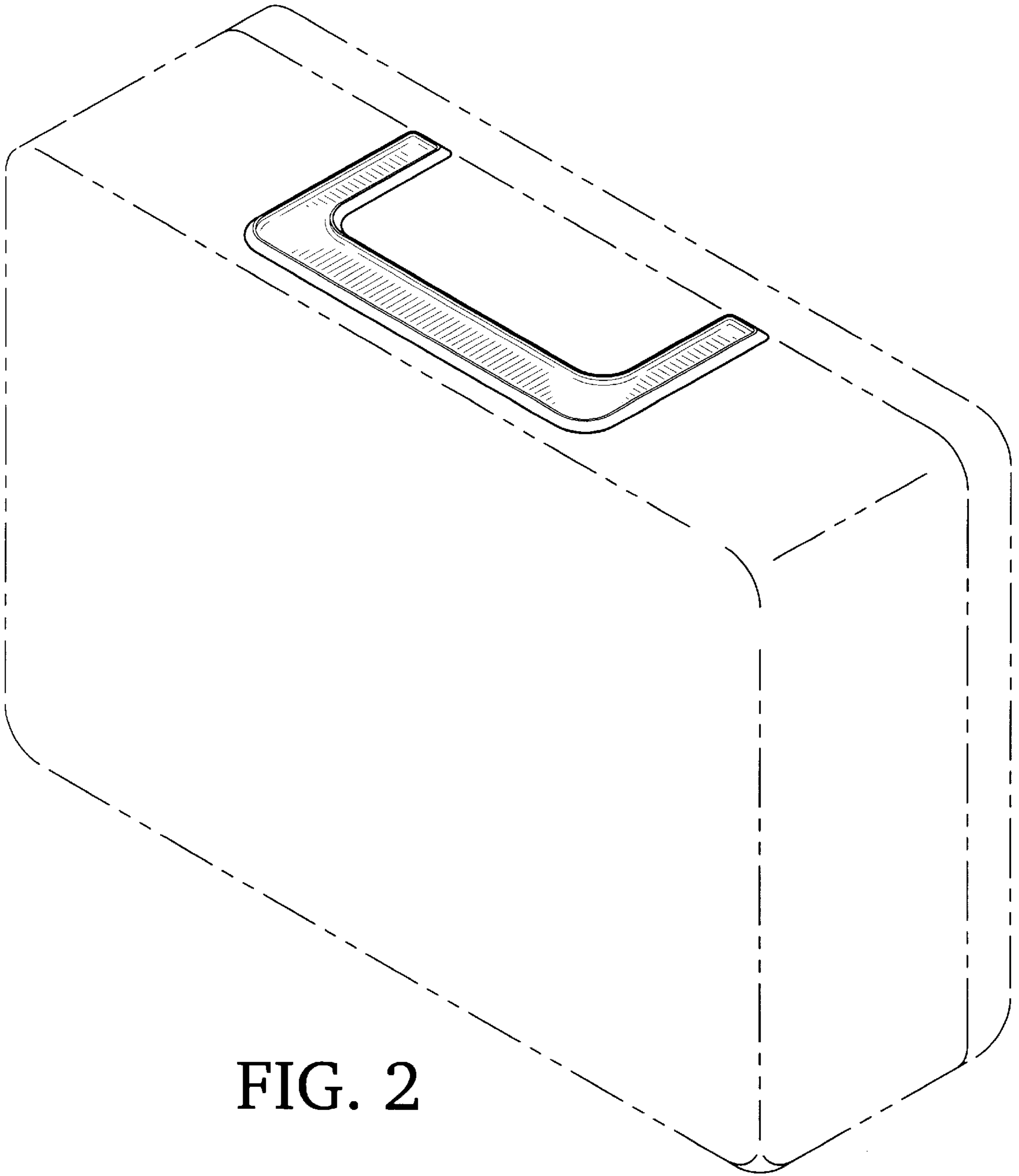


FIG. 2

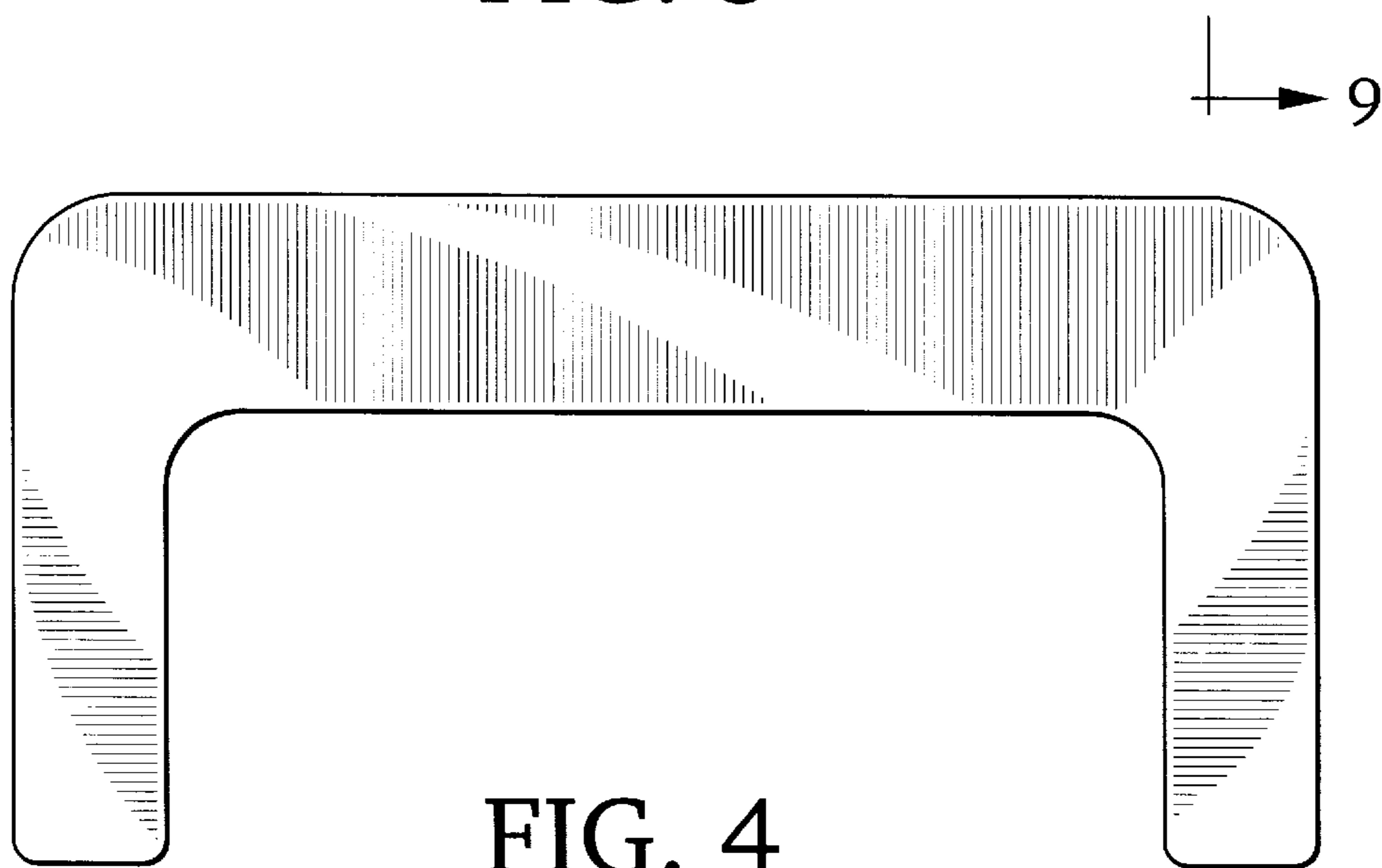
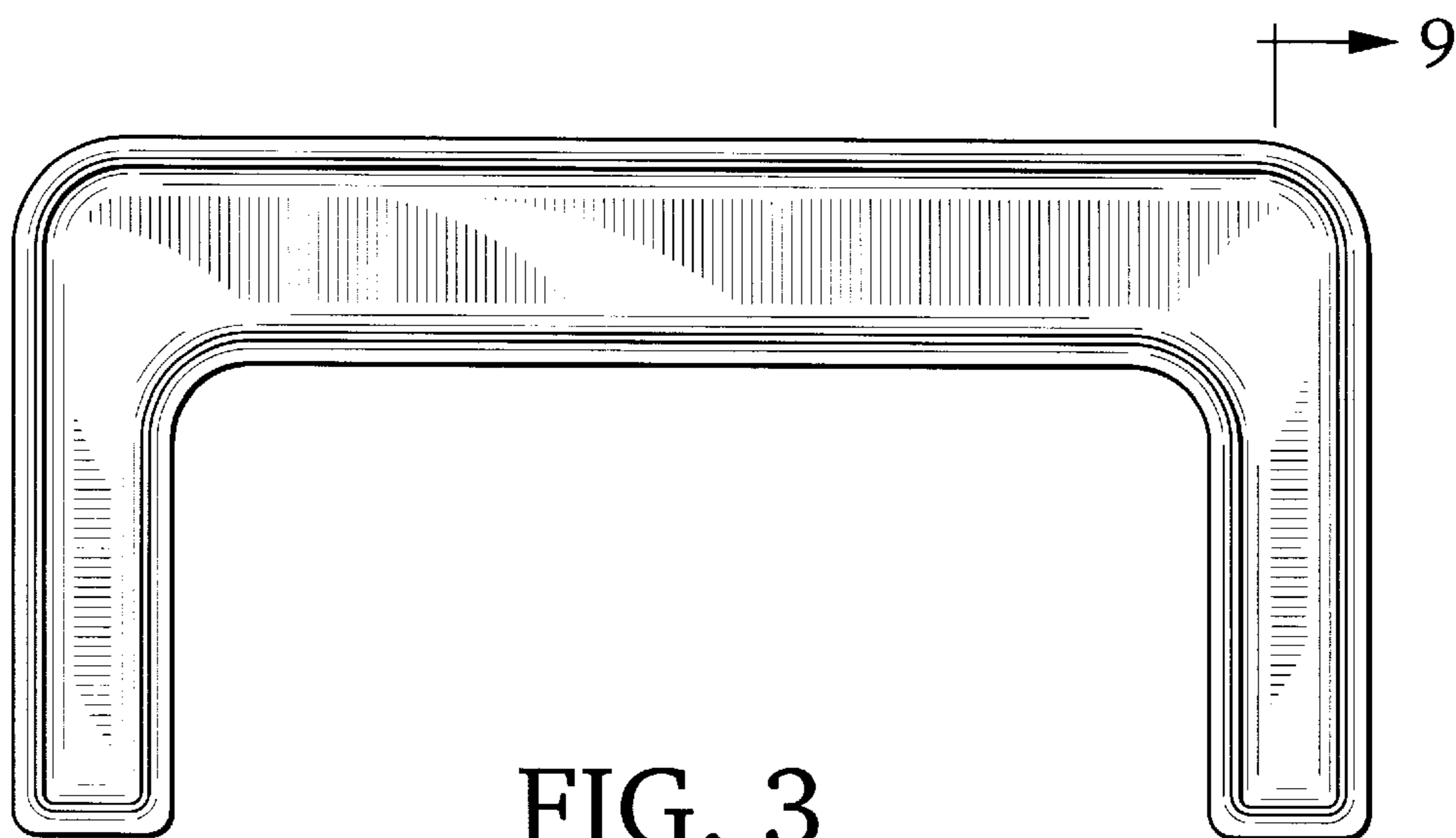


FIG. 5



FIG. 6



FIG. 7



FIG. 8



FIG. 9