



US00D434633S

United States Patent [19] Short

[11] **Patent Number: Des. 434,633**

[45] **Date of Patent: ** Dec. 5, 2000**

[54] **KNOB**

[75] Inventor: **Kevin G. Short**, LaGrange, Ill.

[73] Assignee: **Newell Operating Company**, Freeport, Ill.

[**] Term: **14 Years**

[21] Appl. No.: **29/118,086**

[22] Filed: **Feb. 3, 2000**

[51] **LOC (7) Cl.** **08-06**

[52] **U.S. Cl.** **D8/310; D8/312**

[58] **Field of Search** D8/300, 307, 310,
D8/311, 312; 16/110.1, 412-414, 415-418,
433, 441

[56] **References Cited**

U.S. PATENT DOCUMENTS

- D. 99,244 4/1936 Lapteff .
- D. 99,245 4/1936 Lapteff .
- D. 139,338 11/1944 George .
- D. 209,145 11/1967 Hampel et al. .
- D. 291,477 8/1987 Lathrop D8/310
- D. 327,834 7/1992 Reid D8/310

OTHER PUBLICATIONS

Modern Plastics Encyclopedia; p. 1400; Knob A, 1948.

Primary Examiner—B. J. Bullock

Attorney, Agent, or Firm—Foley & Lardner

[57] **CLAIM**

I claim the ornamental design for a knob, as shown and described.

DESCRIPTION

FIG. 1 is a perspective view of the knob according to a preferred embodiment.

FIG. 2 is a top plan view of the knob.

FIG. 3 is a front elevation view of the knob.

FIG. 4 is a side elevation view of the knob.

FIG. 5 is a bottom plan view of the knob.

FIG. 6 is a perspective view of the knob according to an alternative embodiment.

FIG. 7 is a top plan view of the knob as shown in FIG. 6.

FIG. 8 is a front elevation view of the knob as shown in FIG. 6; and,

FIG. 9 is a side elevation view of the knob as shown in FIG. 6.

The broken lines at the base of the stem represent the bounds of the claim and all others are for illustrative purposes only. None of the broken lines form a part of the claimed design.

The surface(s) or portion(s) of the article not shown in the drawing or described in the specification form(s) no part of the claimed design.

1 Claim, 3 Drawing Sheets

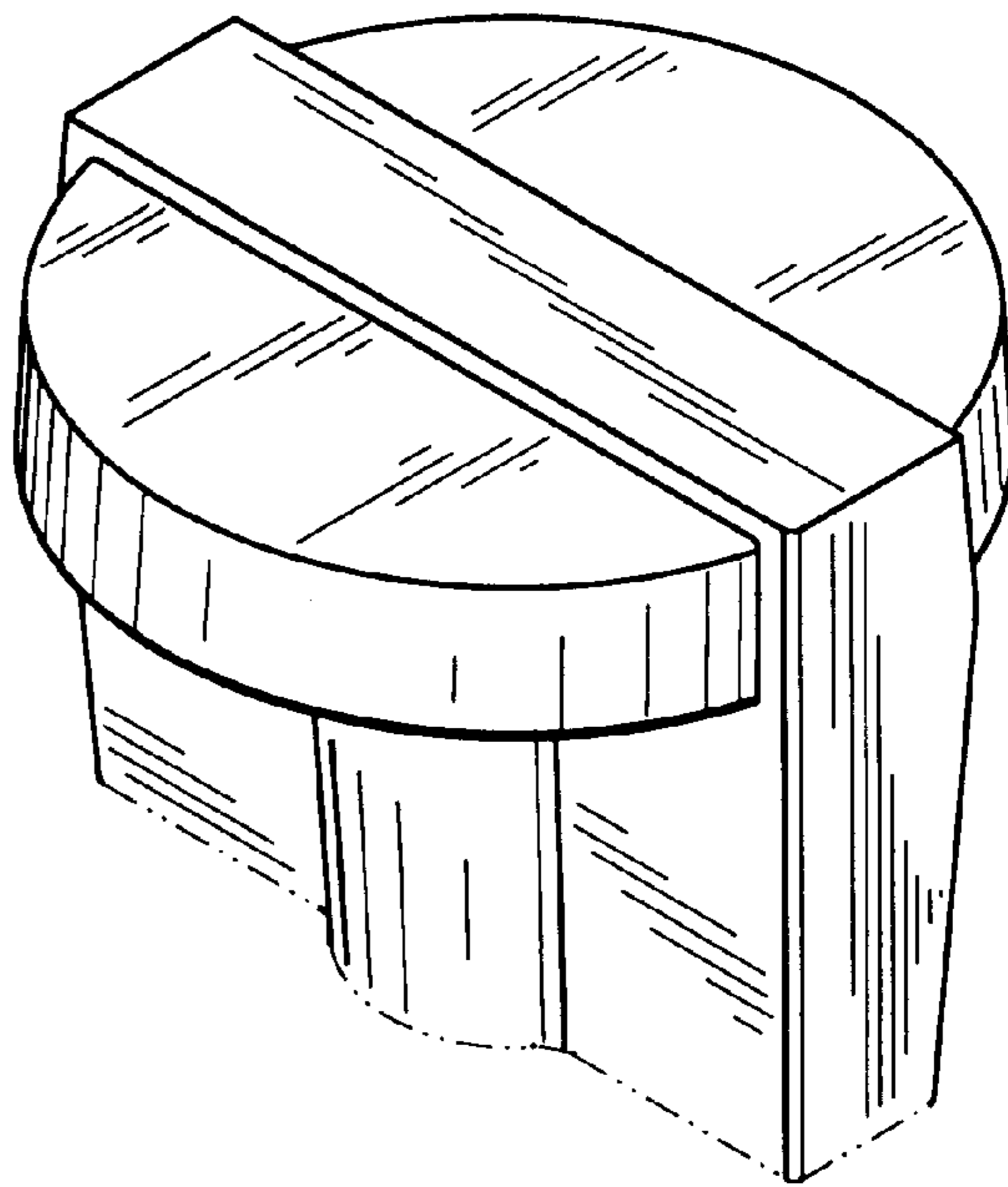
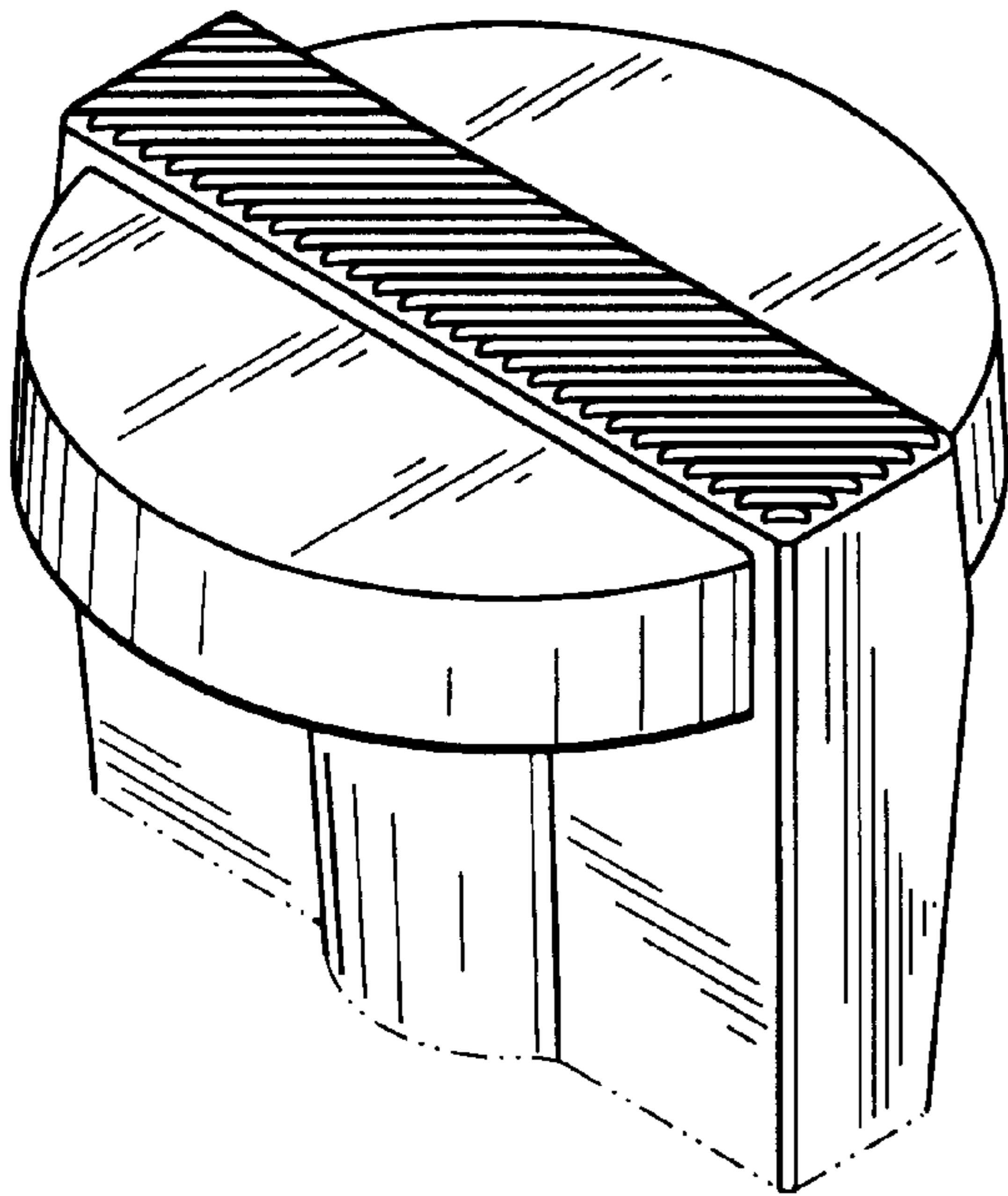


FIG. 1

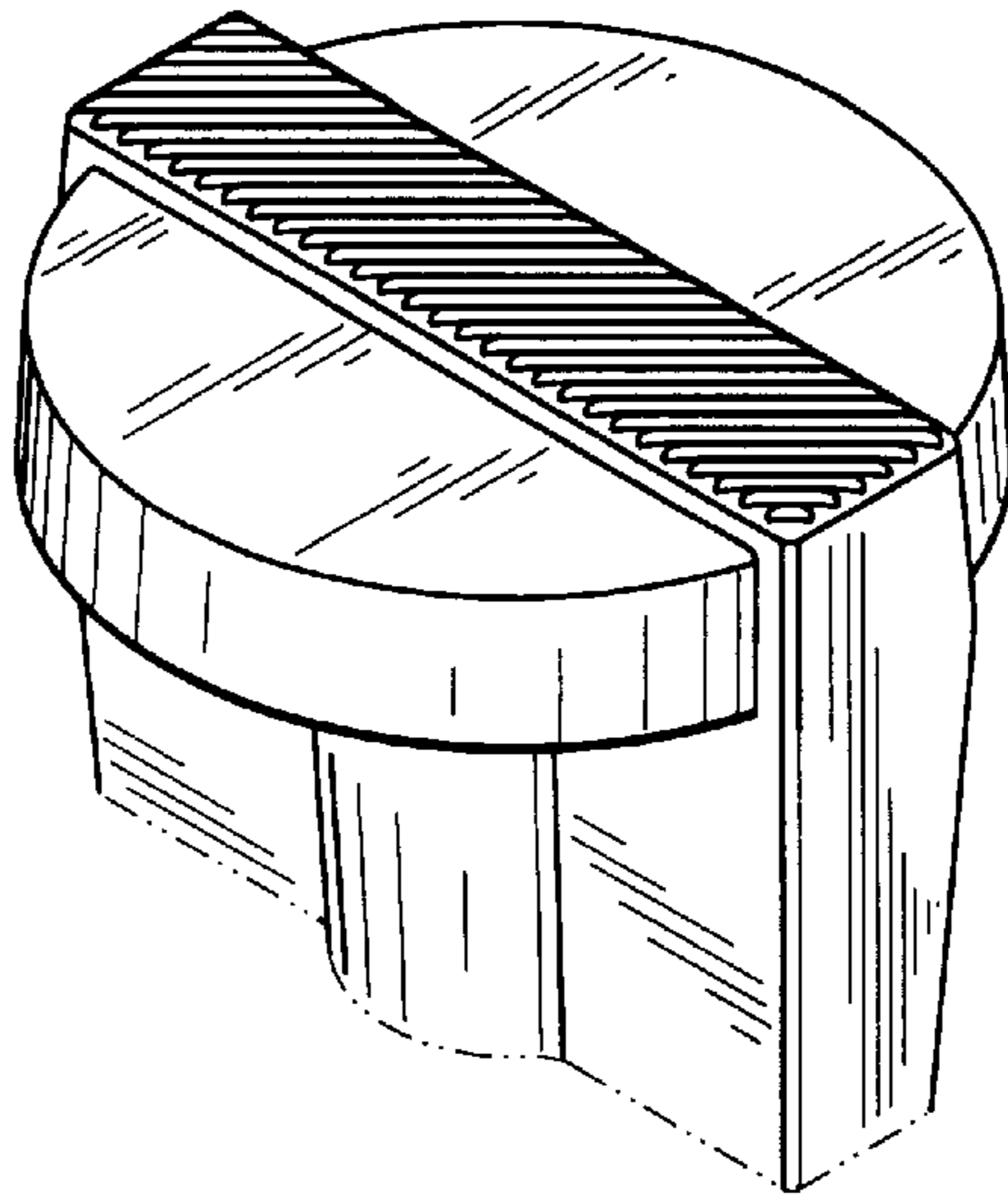


FIG. 2

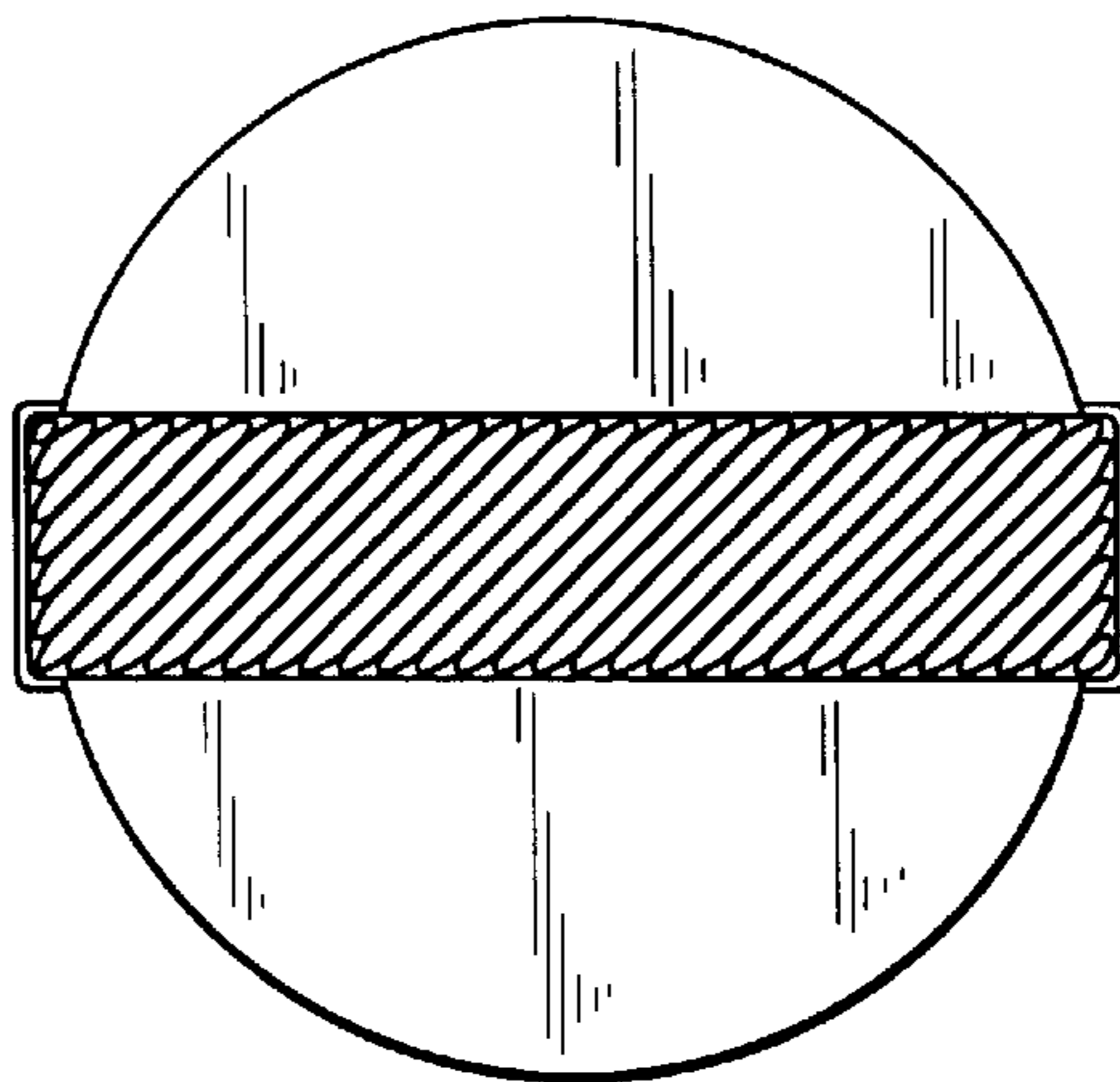


FIG. 3

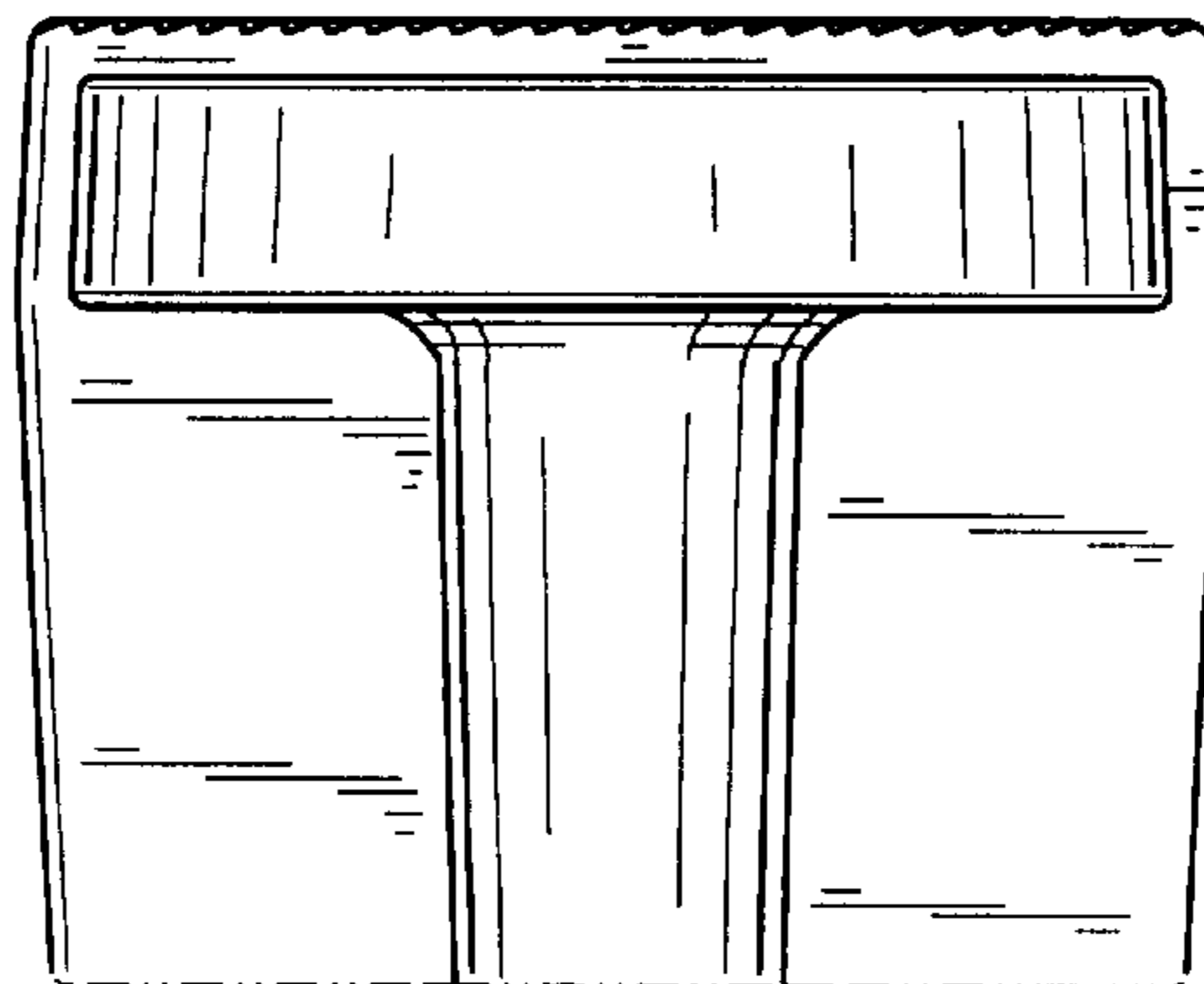


FIG. 4

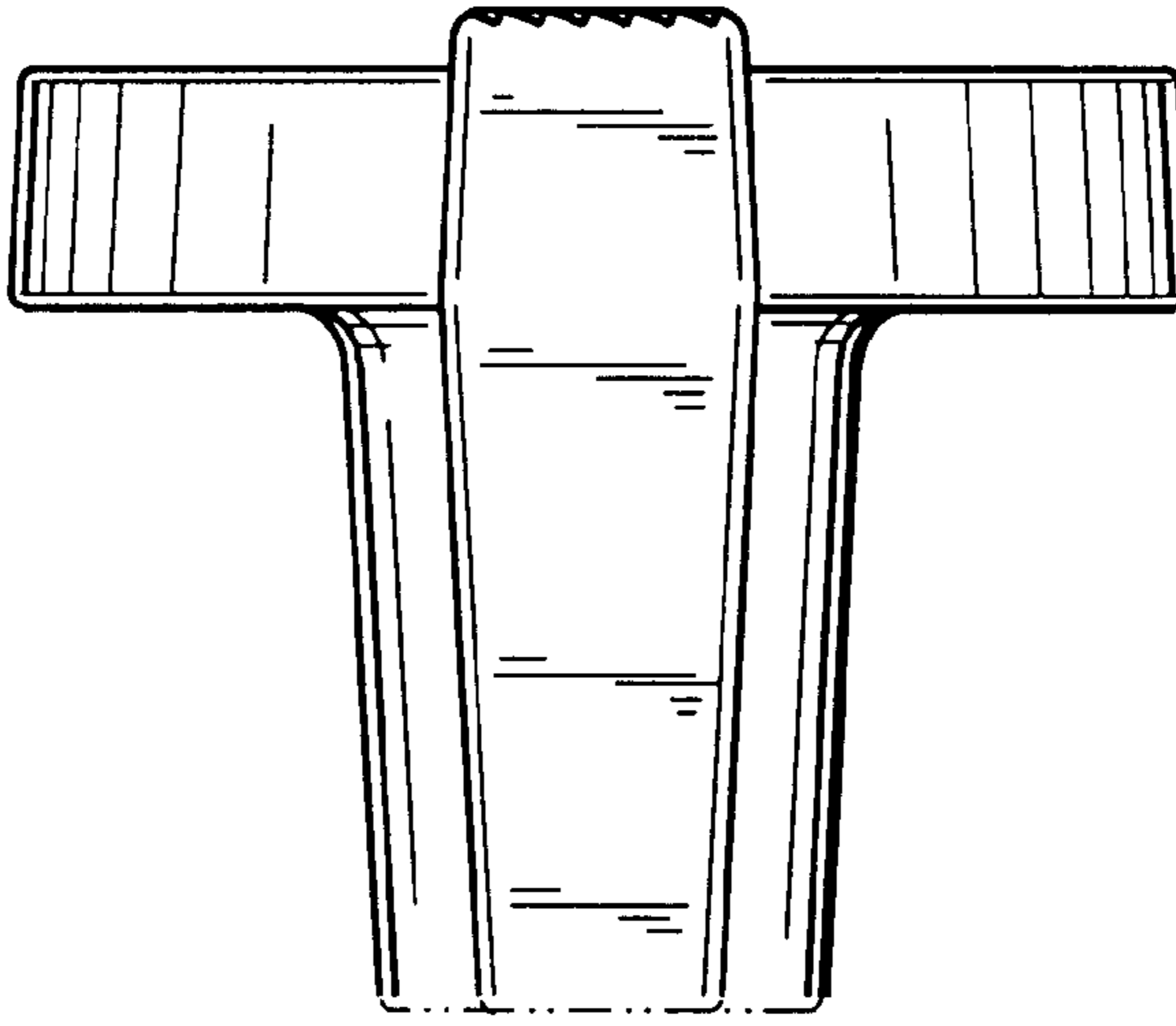


FIG. 5

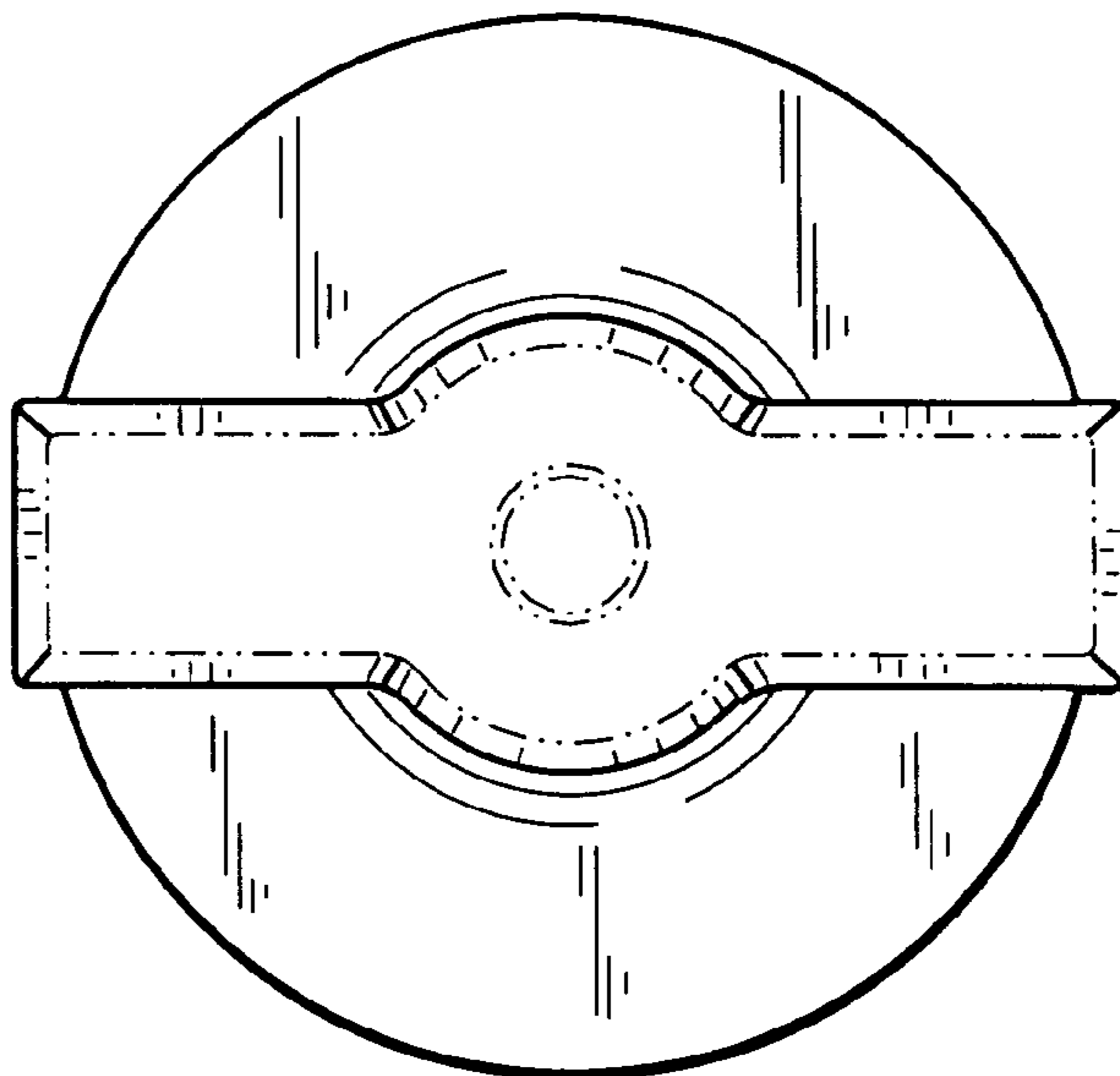


FIG. 6

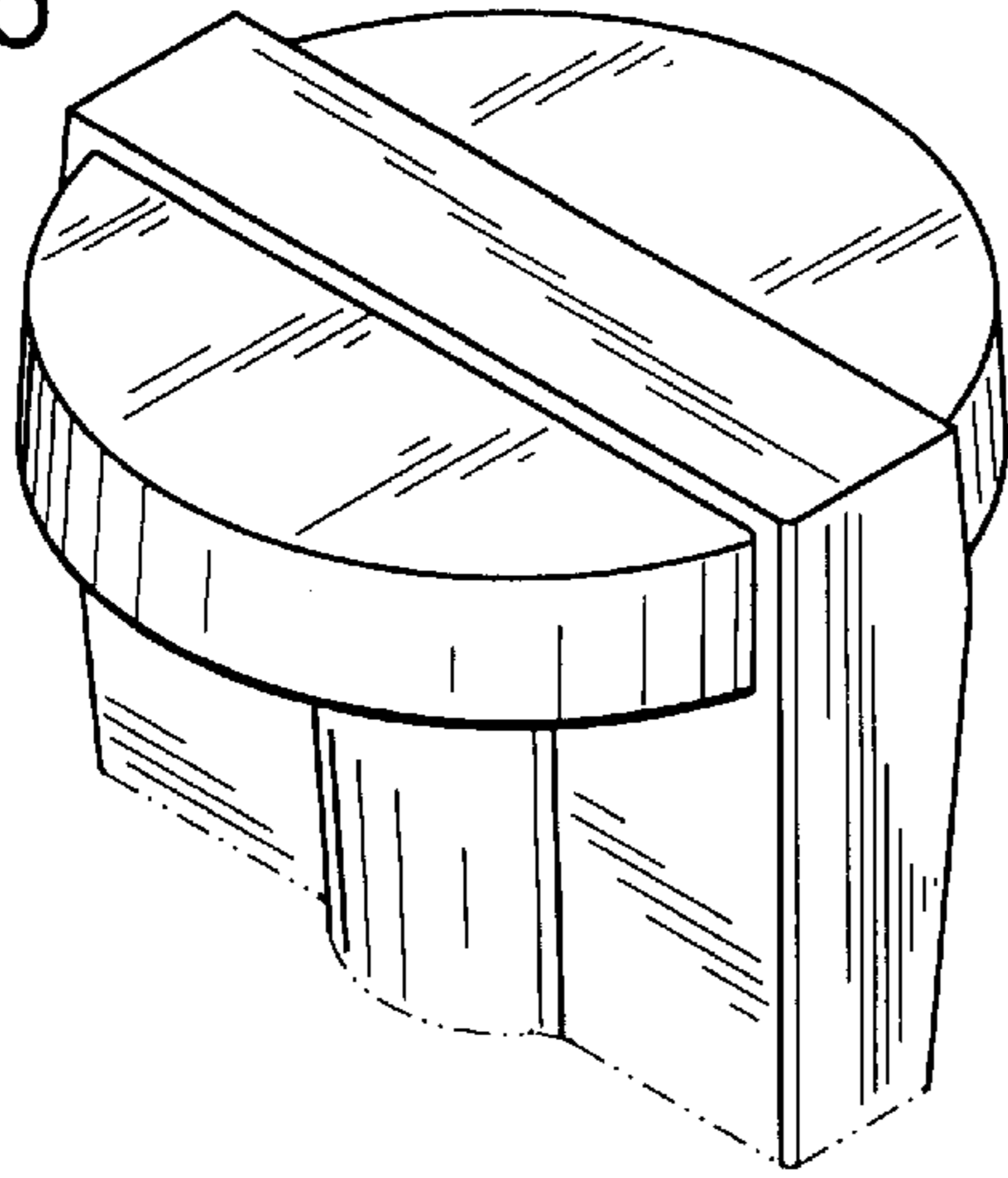


FIG. 7

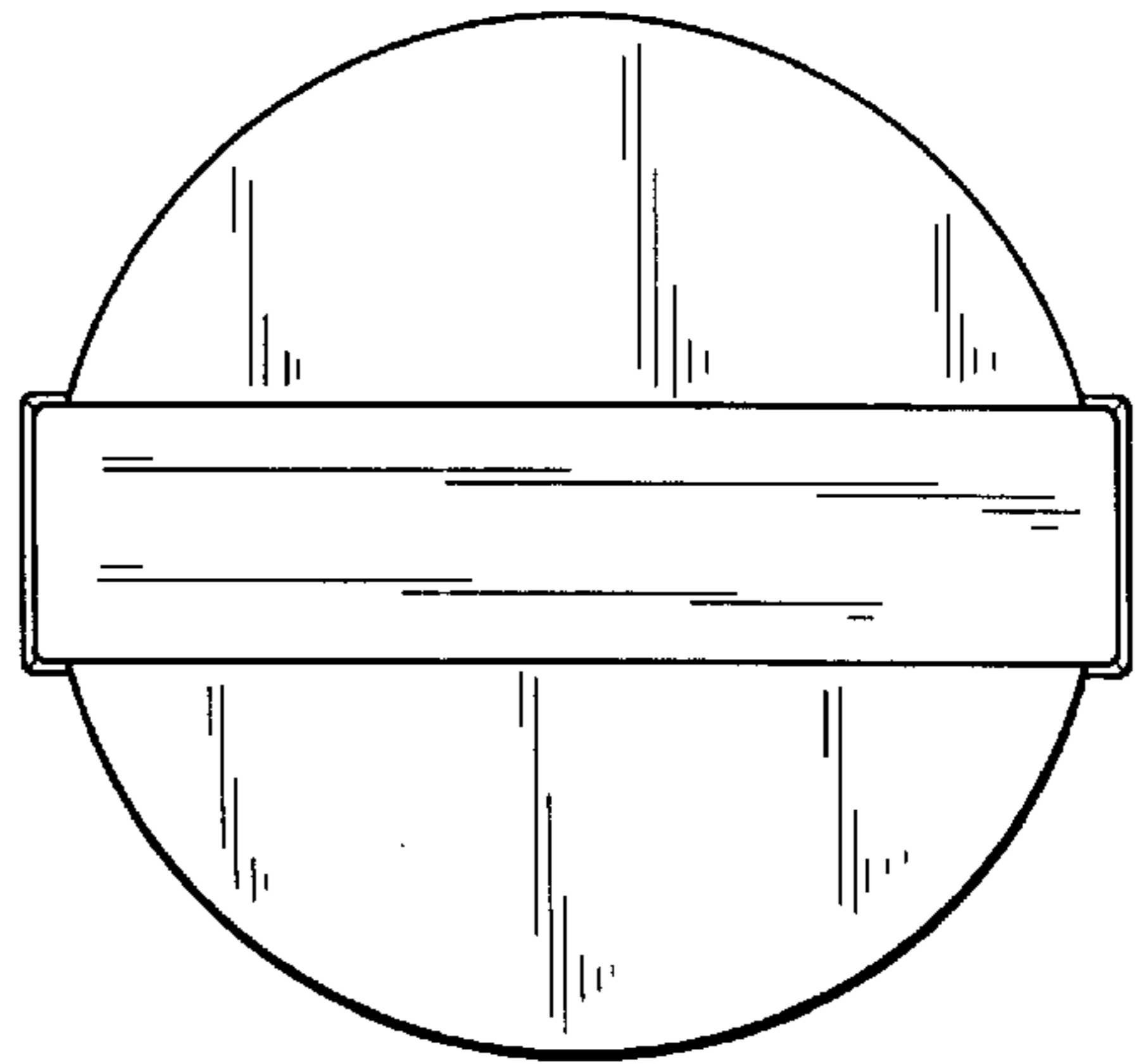


FIG. 8

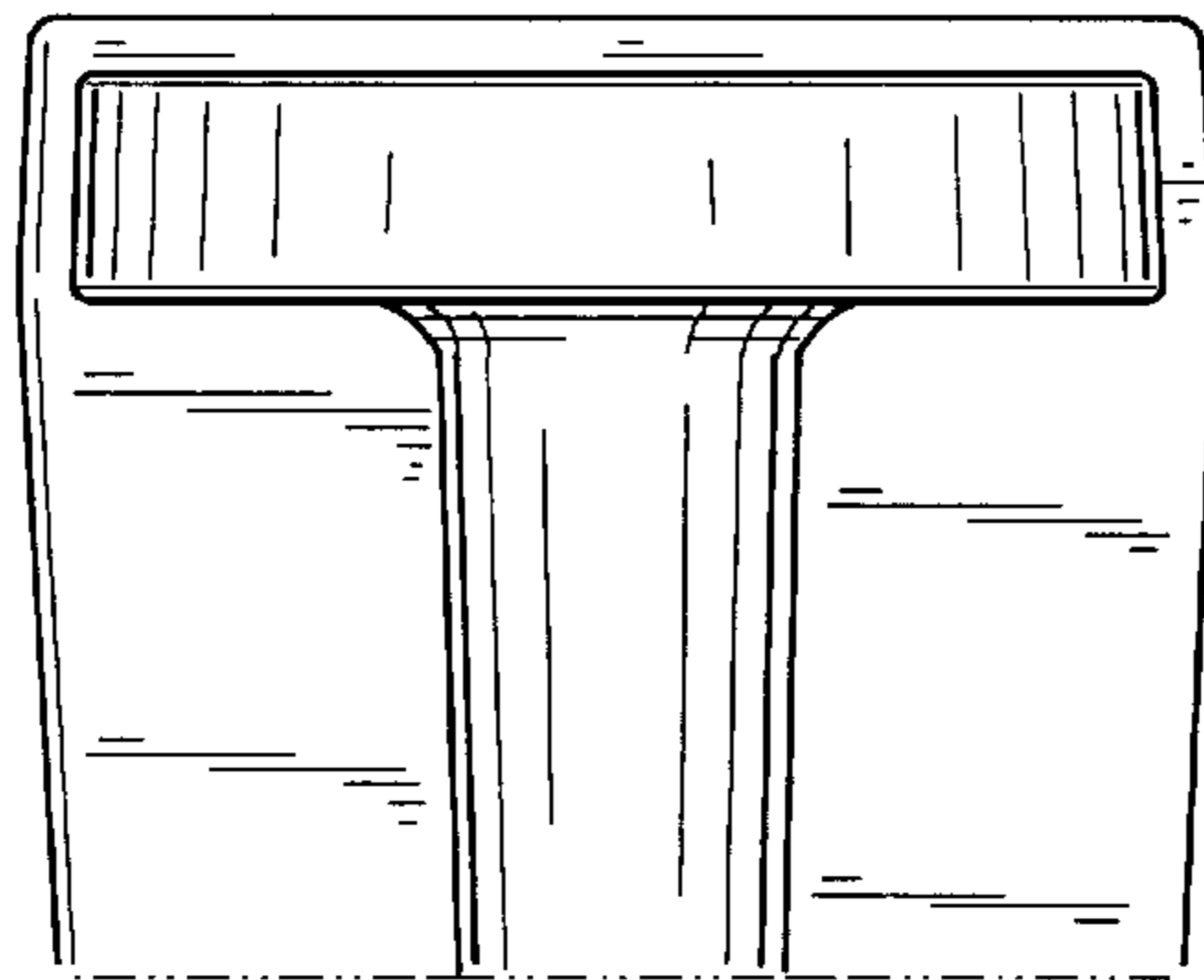
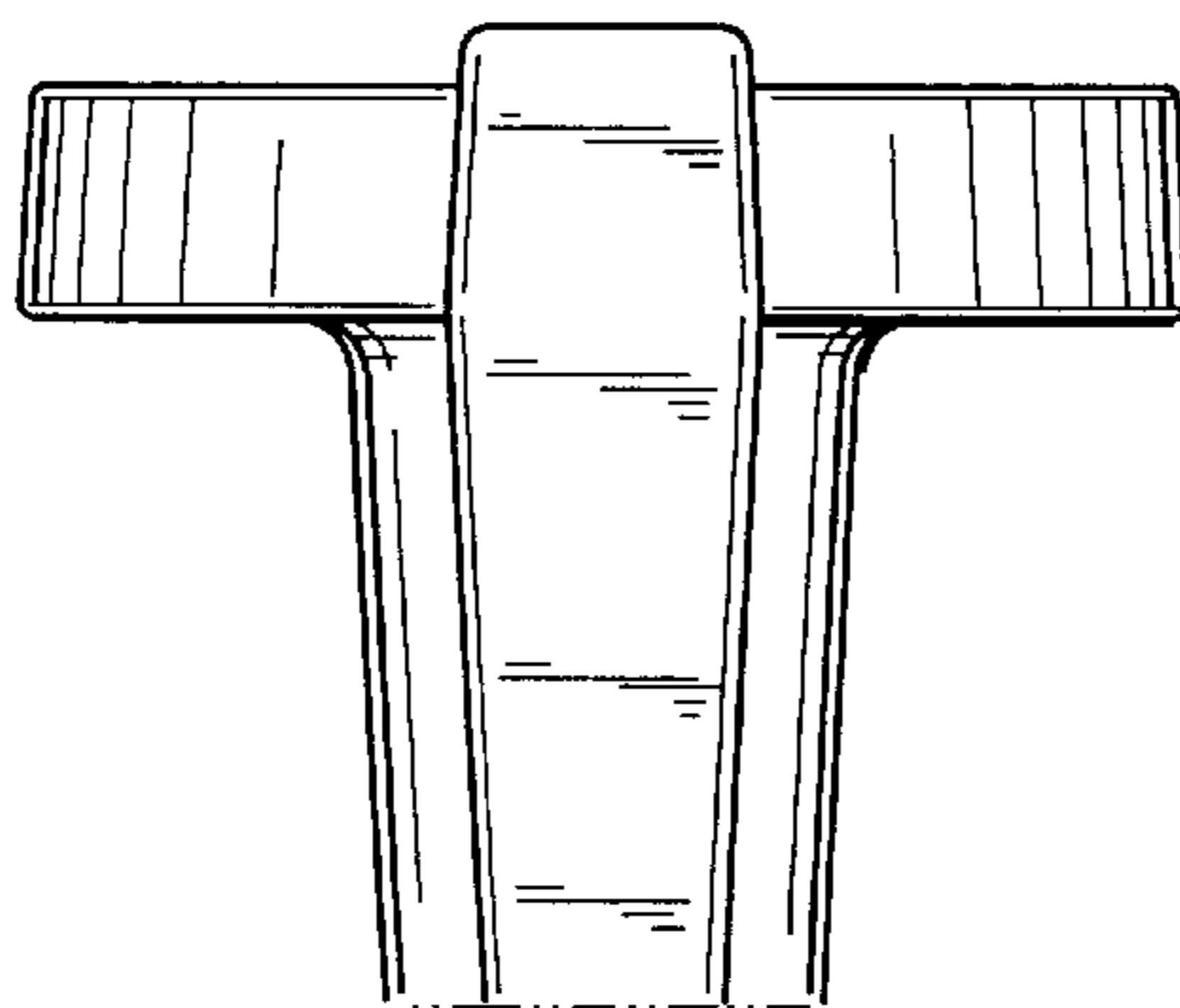


FIG. 9



UNITED STATES PATENT AND TRADEMARK OFFICE
CERTIFICATE OF CORRECTION

PATENT NO. : Des. 434,633
DATED : Dec. 5, 2000
INVENTOR(S) : Short

It is certified that error appears in the above-identified patent and that said Letters Patent is hereby corrected as shown below:

Delete "FIG. 8 is a front elevation view of the knob as shown in FIG. 6; and,"
and replace with —FIG. 8 is a front elevation view of the knob as shown in
FIG. 6.—

Signed and Sealed this
Fifteenth Day of May, 2001



NICHOLAS P. GODICI

Attest:

Attesting Officer

Acting Director of the United States Patent and Trademark Office