



US00D434632S

# United States Patent [19] Tseng

[11] Patent Number: Des. 434,632

[45] Date of Patent: \*\* Dec. 5, 2000

[54] TOOL ASSEMBLY

[76] Inventor: Chun-Li Tseng, P.O. Box 63-247,  
Taichung, Taiwan

[\*\*] Term: 14 Years

[21] Appl. No.: 29/122,961

[22] Filed: May 8, 2000

[51] LOC (7) Cl. .... 08-05

[52] U.S. Cl. .... D8/105; D8/55

[58] Field of Search ..... D8/105, 26, 99,  
D8/55, 81, 87, 107; 30/161, 164, 153, 152,  
143; 7/118, 125-135, 138, 143, 164, 170;  
81/177.1, 177.2, 177.6, 427.5

[56] **References Cited**

**U.S. PATENT DOCUMENTS**

D. 338,386	8/1993	Frazer	.....	D8/105
D. 367,807	3/1996	Hung	.....	D8/105
D. 371,498	7/1996	Lai	.....	D8/105
D. 384,872	10/1997	Yeh	.....	D8/105
D. 389,030	1/1998	Wensley	.....	D8/107
D. 410,833	6/1999	Hasegawa	.....	D8/105
D. 411,091	6/1999	Halligan	.....	D8/99
D. 426,446	6/2000	Chau	.....	D8/105
D. 426,447	6/2000	Chau	.....	D8/105
826,569	7/1906	Hanson	.....	30/143 X
4,512,051	4/1985	Magan	.....	7/128
5,809,599	9/1998	Frazer	.....	7/128

5,916,277	6/1999	Dallas	.....	7/128
5,946,752	9/1999	Parrish	.....	7/118
6,006,385	12/1999	Kershaw et al.	.....	7/129

**OTHER PUBLICATIONS**

Gorilla And Sons Jun. 1997, p. 81, SOG ToolClip and Micro ToolClip.

Gorrilla And Sons Jun. 1997, p. 83, Swiss Army Grip Multi-tool and items H and K at the bottom of the pg.

*Primary Examiner*—Jeffrey Asch  
*Attorney, Agent, or Firm*—Alan Kamrath

[57] **CLAIM**

The ornamental design for tool assembly, as shown and described.

**DESCRIPTION**

FIG. 1 is a perspective view of a tool assembly showing my new design;

FIG. 2 is a front elevational view thereof;

FIG. 3 is a rear elevational view thereof;

FIG. 4 is a left elevational view thereof;

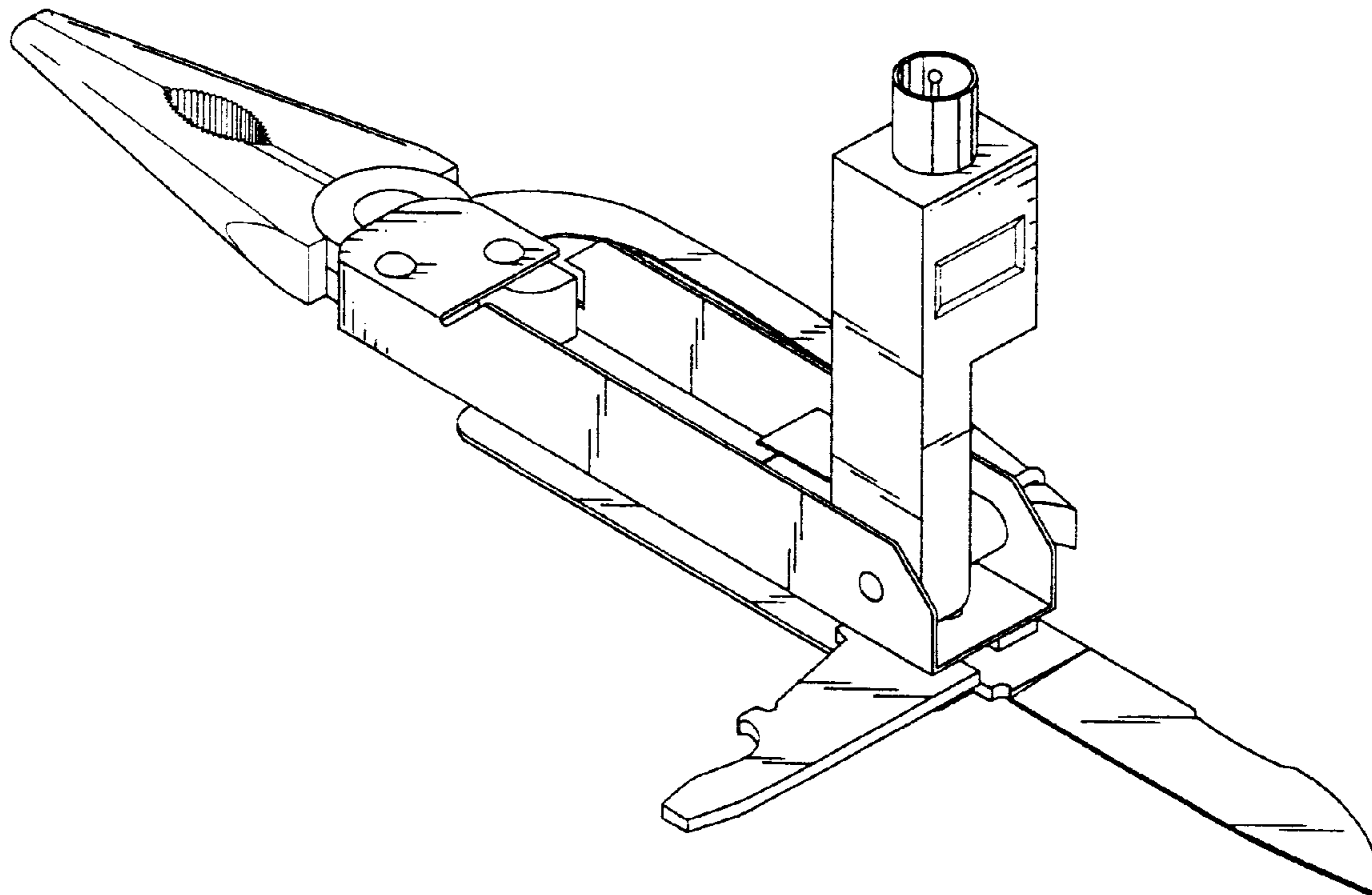
FIG. 5 is a right elevational view thereof;

FIG. 6 is a top plan view thereof; and

FIG. 7 is a bottom plan view thereof; and,

FIG. 8 is the perspective view embodying extended status of tool assembly.

**1 Claim, 3 Drawing Sheets**



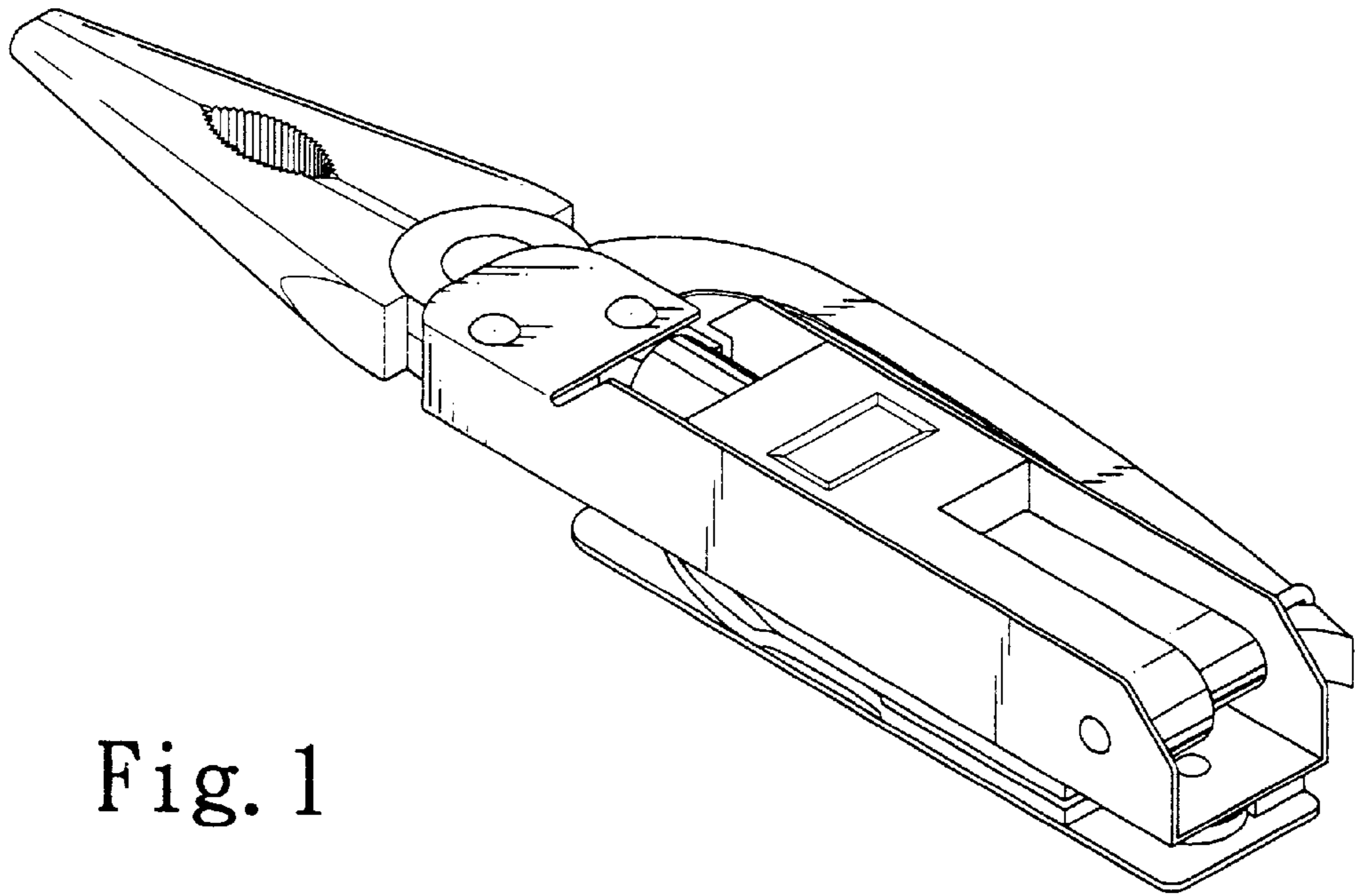


Fig. 1

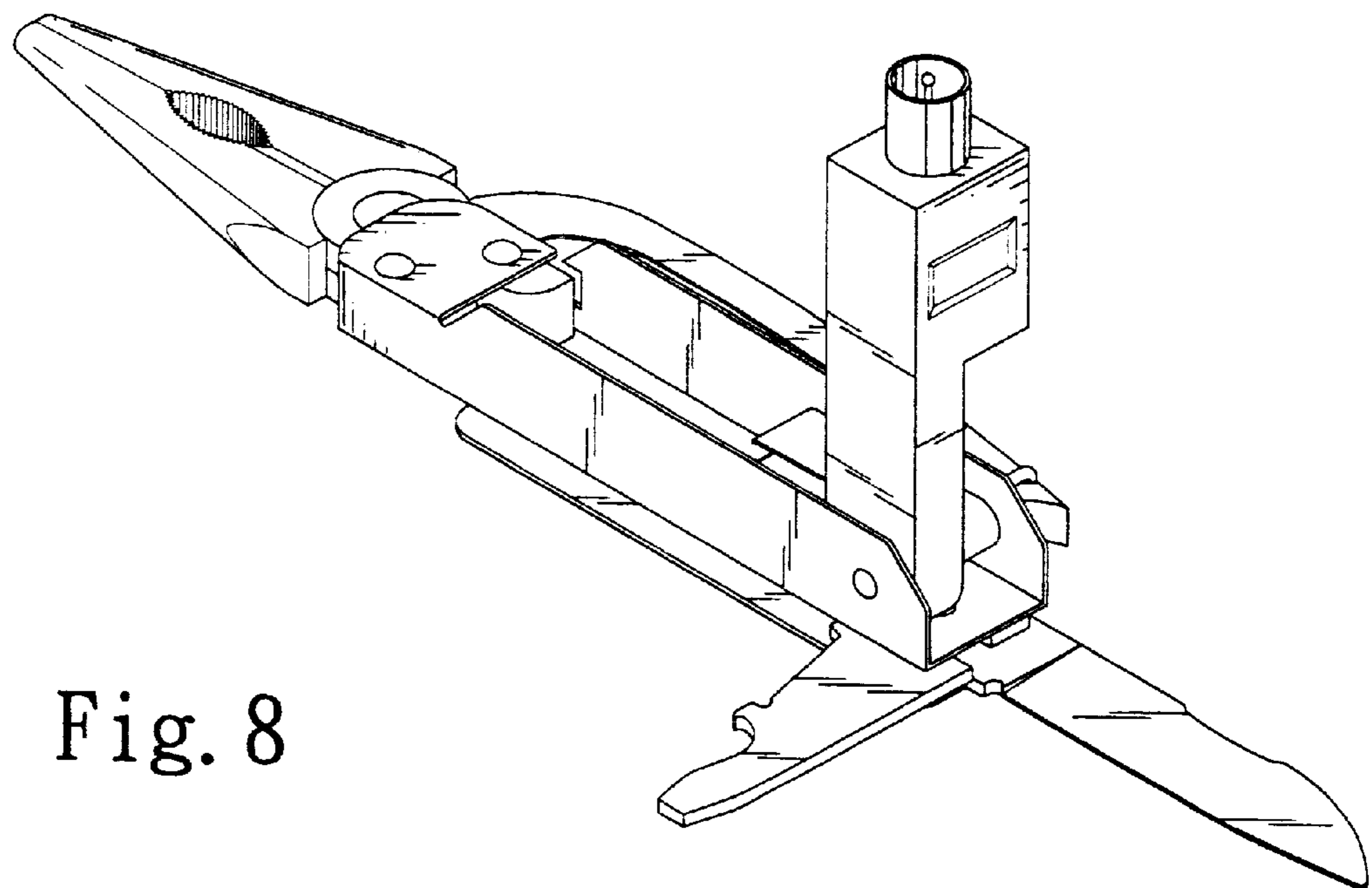


Fig. 8

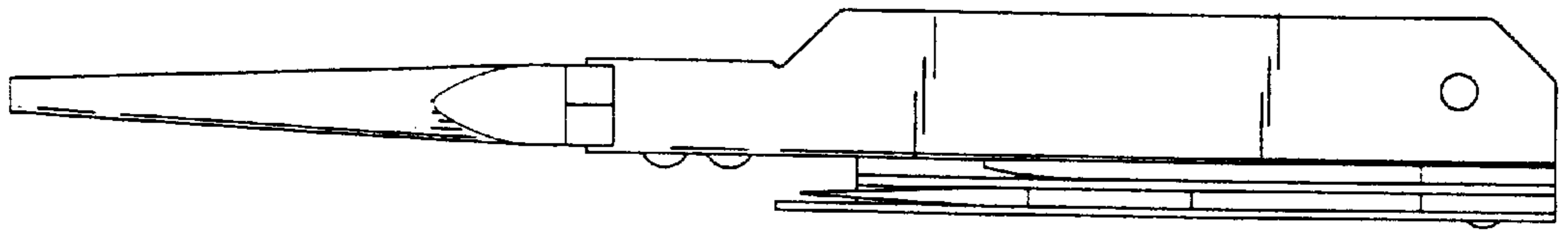


Fig. 2

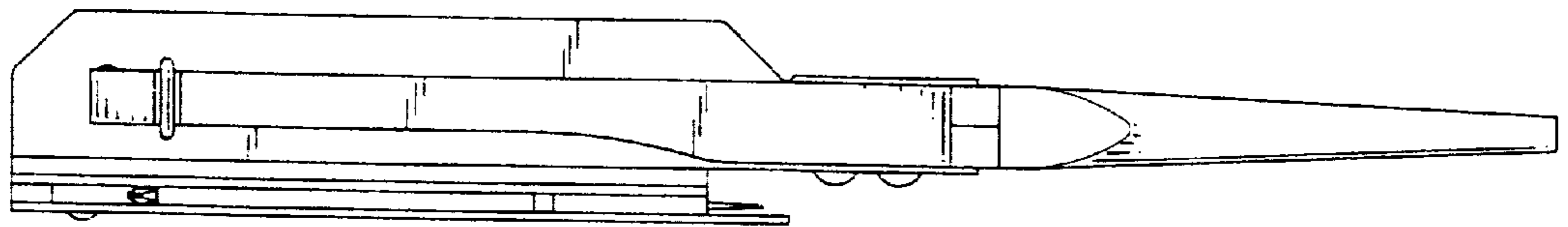


Fig. 3

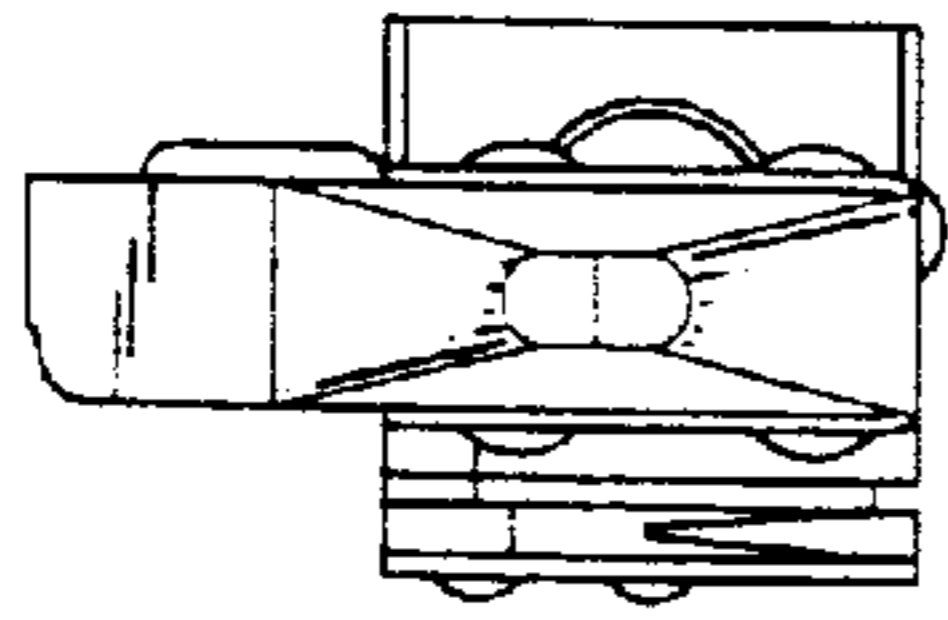


Fig. 4

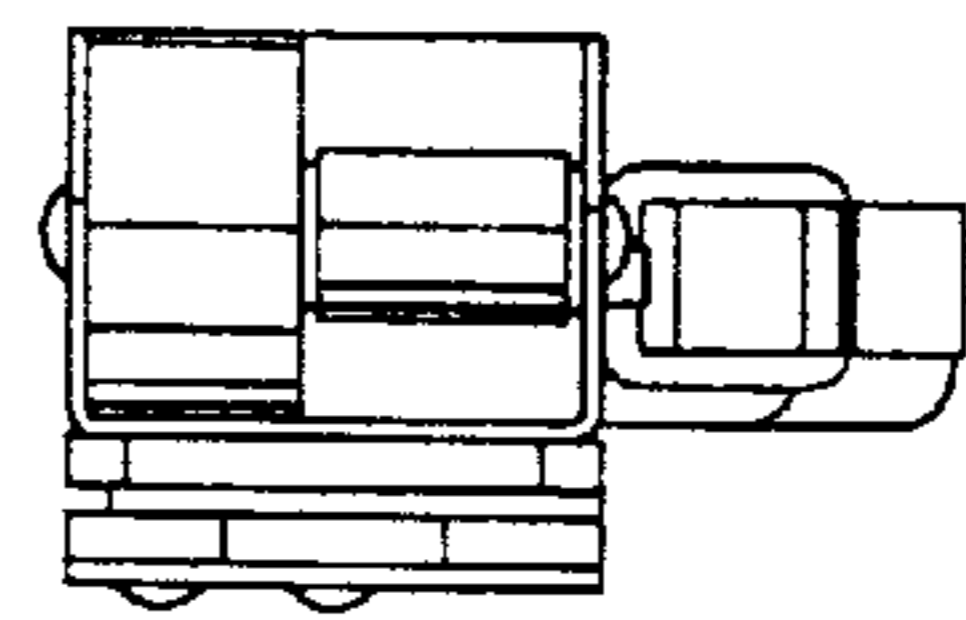


Fig. 5

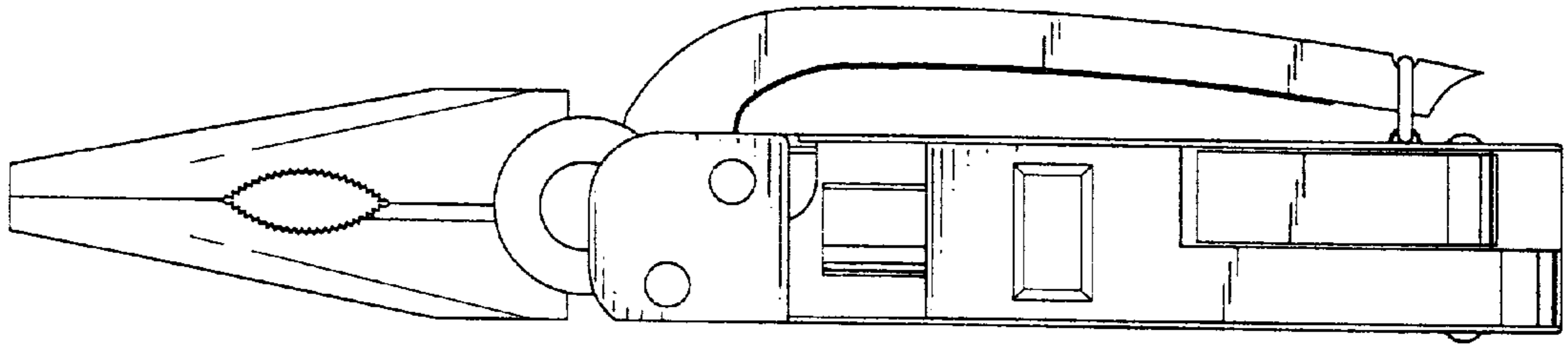


Fig. 6

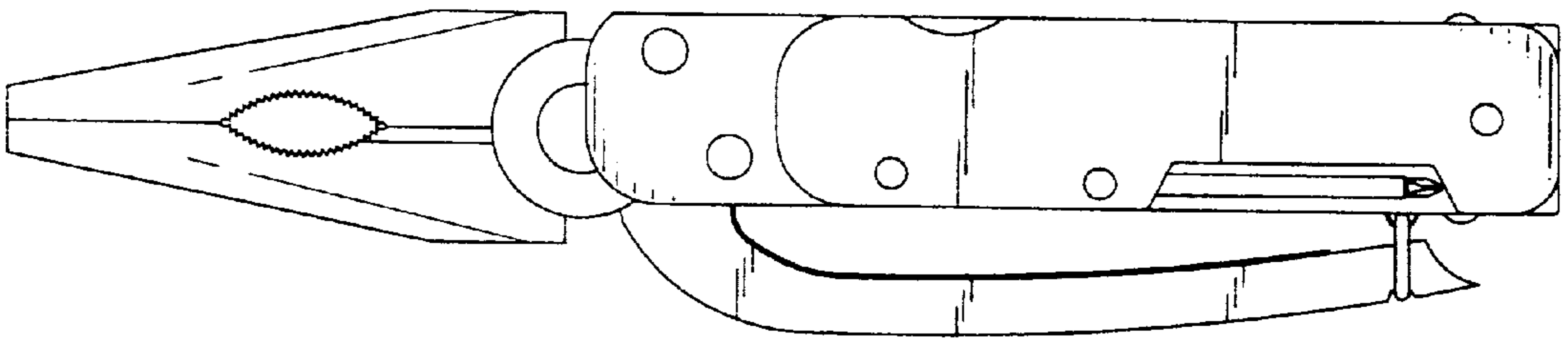


Fig. 7