



US00D434629S

United States Patent [19] Long

[11] Patent Number: **Des. 434,629**

[45] Date of Patent: **** Dec. 5, 2000**

[54] **KEYLESS DRILL CHUCK**

[75] Inventor: **Charles Keith Long**, Seneca, S.C.

[73] Assignee: **Ryobi North America, Inc.**, Anderson, S.C.

[**] Term: **14 Years**

[21] Appl. No.: **29/116,027**

[22] Filed: **Dec. 23, 1999**

[51] **LOC (7) Cl.** **15-09**

[52] **U.S. Cl.** **D8/70; D15/140**

[58] **Field of Search** **D15/140; D8/70; 279/60-64, 157, 901, 902**

5,409,243	4/1995	Shadeck et al. .
5,411,275	5/1995	Huff et al. .
5,431,419	7/1995	Mack .
5,465,983	11/1995	Owens et al. .
5,501,473	3/1996	Barton et al. .
5,503,409	4/1996	Rohm .
5,580,197	12/1996	Rohm .
5,590,985	1/1997	Mack .
5,624,125	4/1997	Rohm .
5,709,392	1/1998	Barton et al. .
5,741,016	4/1998	Barton et al. .
5,765,839	6/1998	Rohm .
5,816,583	10/1998	Middleton .
5,913,524	6/1999	Barton 279/62

Primary Examiner—Antoine Duval Davis
Attorney, Agent, or Firm—Brooks & Kushman P.C.

[56] **References Cited**

U.S. PATENT DOCUMENTS

D. 346,541	5/1994	Somers .
D. 400,418	11/1998	Lui .
D. 403,222	12/1998	Lui .
D. 404,629	1/1999	Cooper .
D. 404,630	1/1999	Cooper .
D. 405,812	2/1999	Miles .
D. 409,067	5/1999	Sakamaki .
D. 416,461	11/1999	Long D8/70
4,097,054	6/1978	Derbyshire 279/64
5,348,317	9/1994	Steadings et al. .
5,348,318	9/1994	Steadings et al. .
5,375,857	12/1994	Rohm .
5,378,002	1/1995	Rohm .
5,407,215	4/1995	Yang .

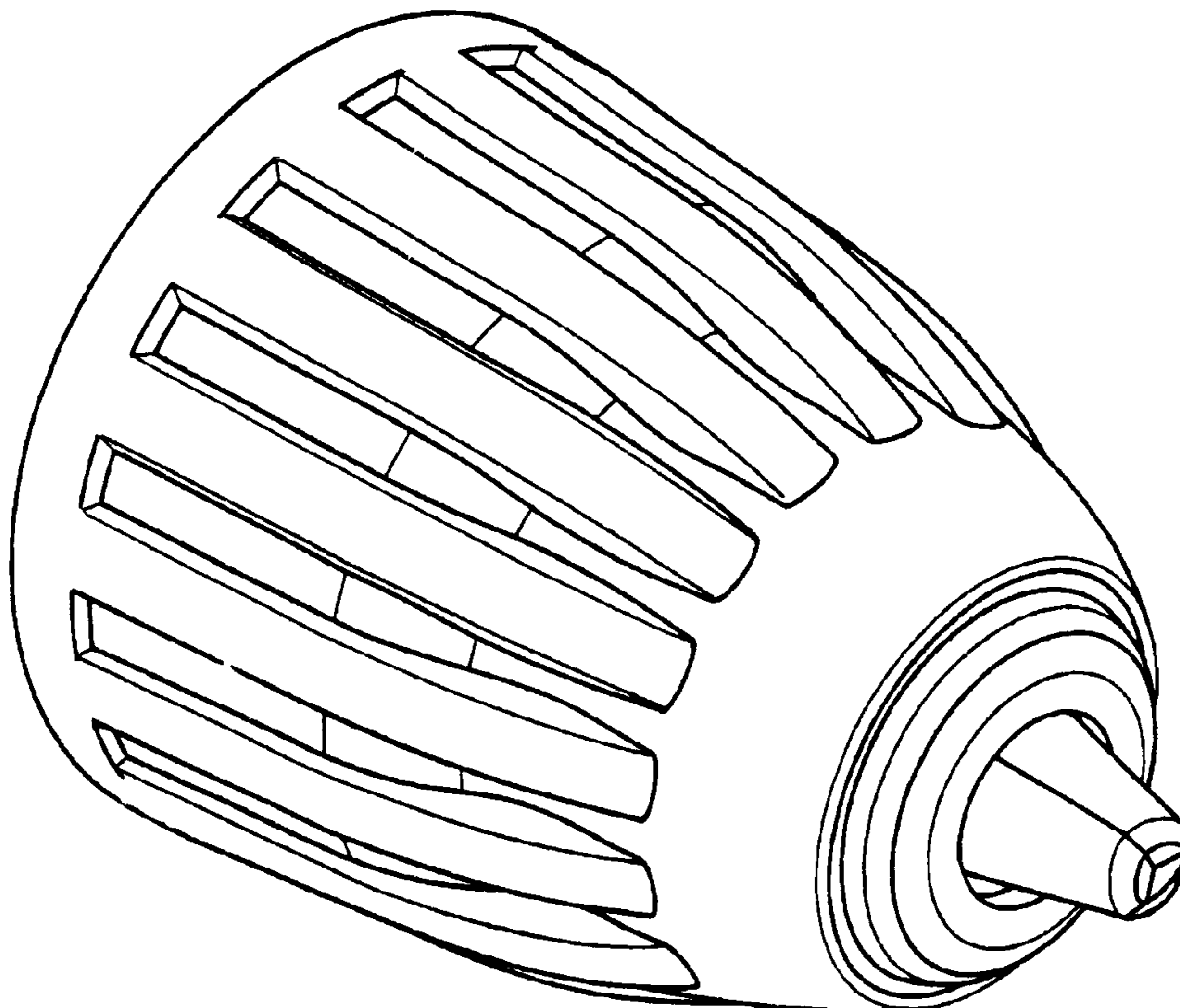
[57] **CLAIM**

The ornamental design for a keyless drill chuck, as shown and described.

DESCRIPTION

FIG. 1 is a front perspective view of the keyless drill chuck of the present invention;
FIG. 2 is a rear perspective view;
FIG. 3 is a side elevational view, the top and bottom views being identical and the rear side elevational view a mirror image thereof;
FIG. 4 is a front end view; and,
FIG. 5 is a rear end view.

1 Claim, 2 Drawing Sheets



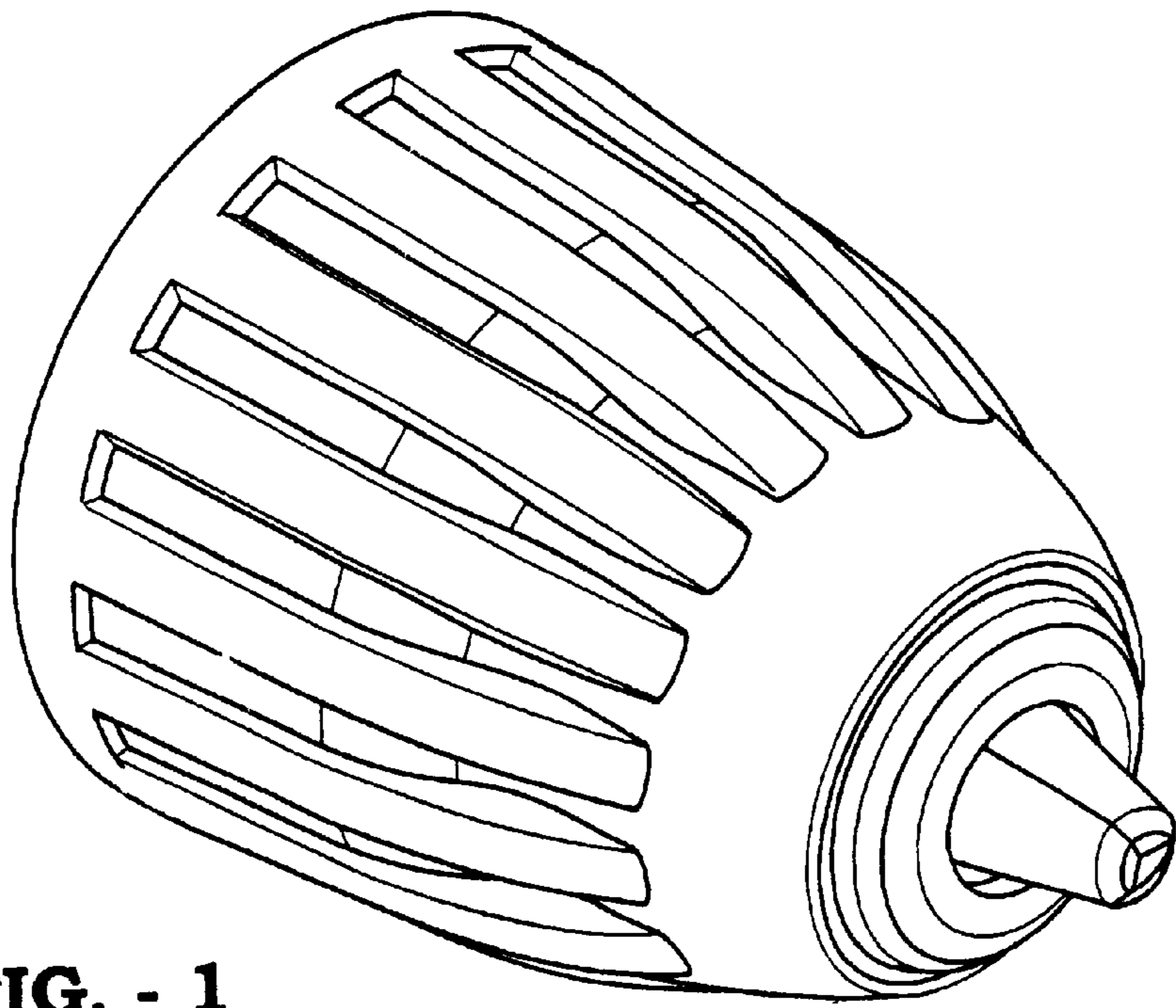


FIG. - 1

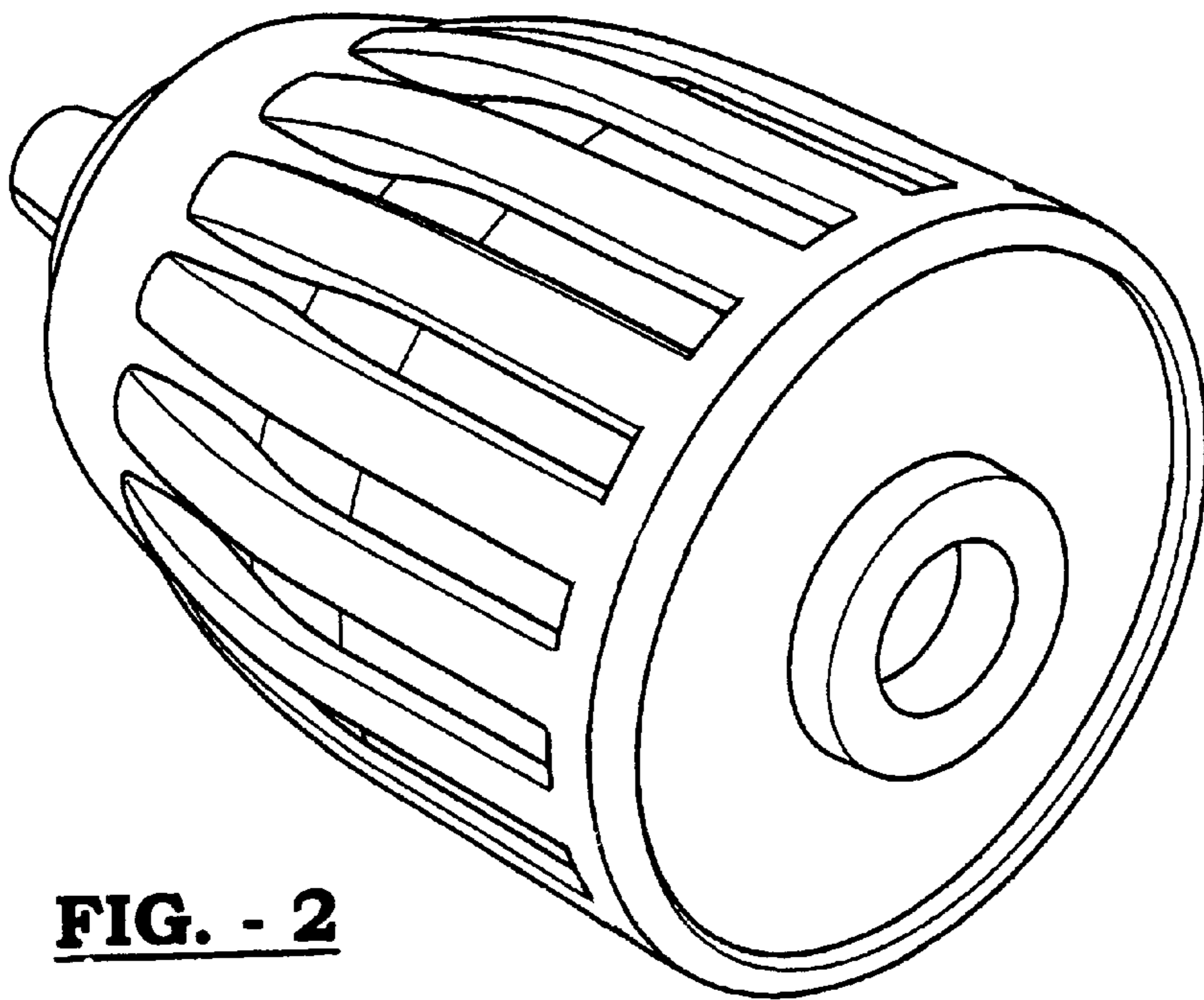


FIG. - 2

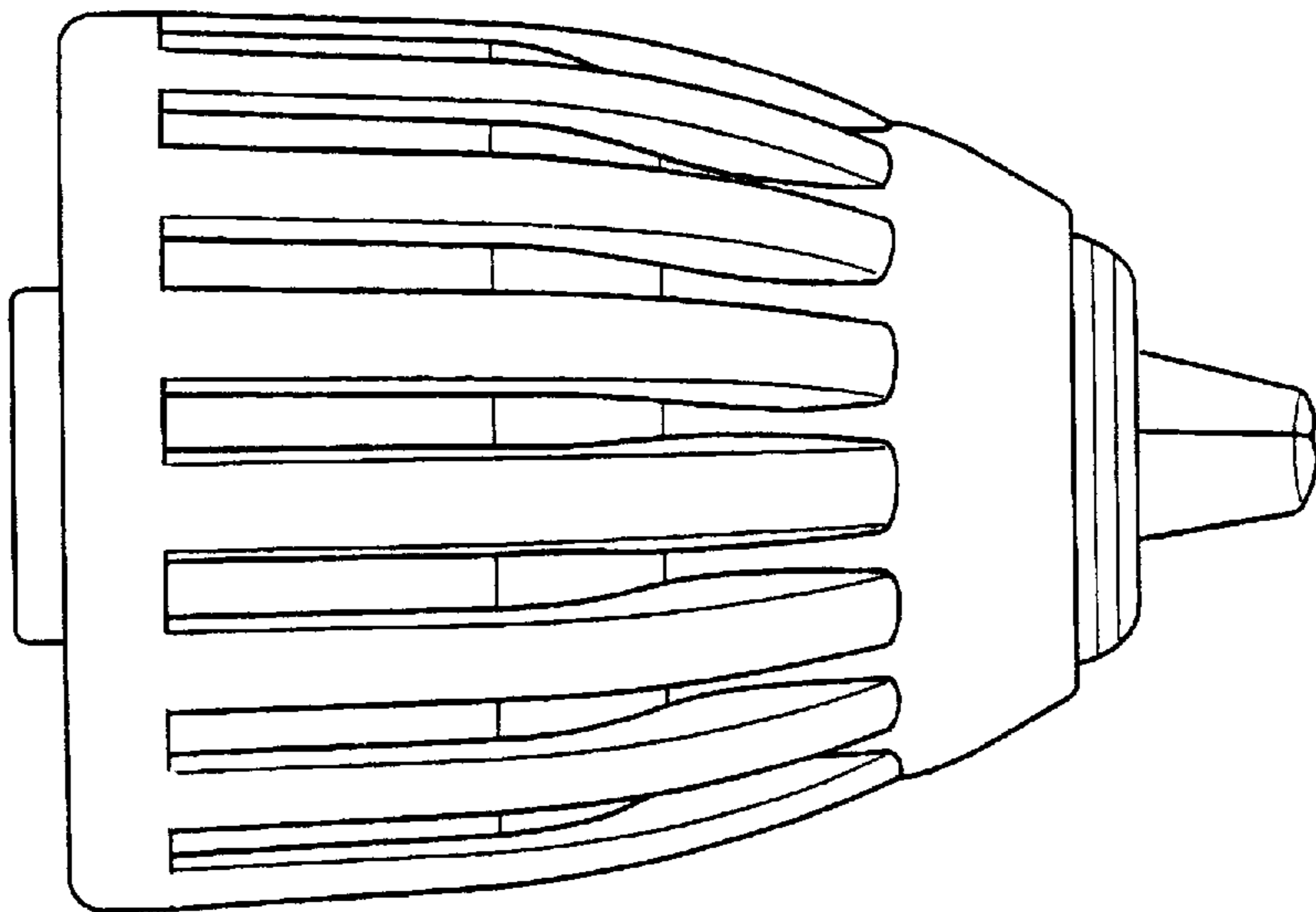


FIG. - 3

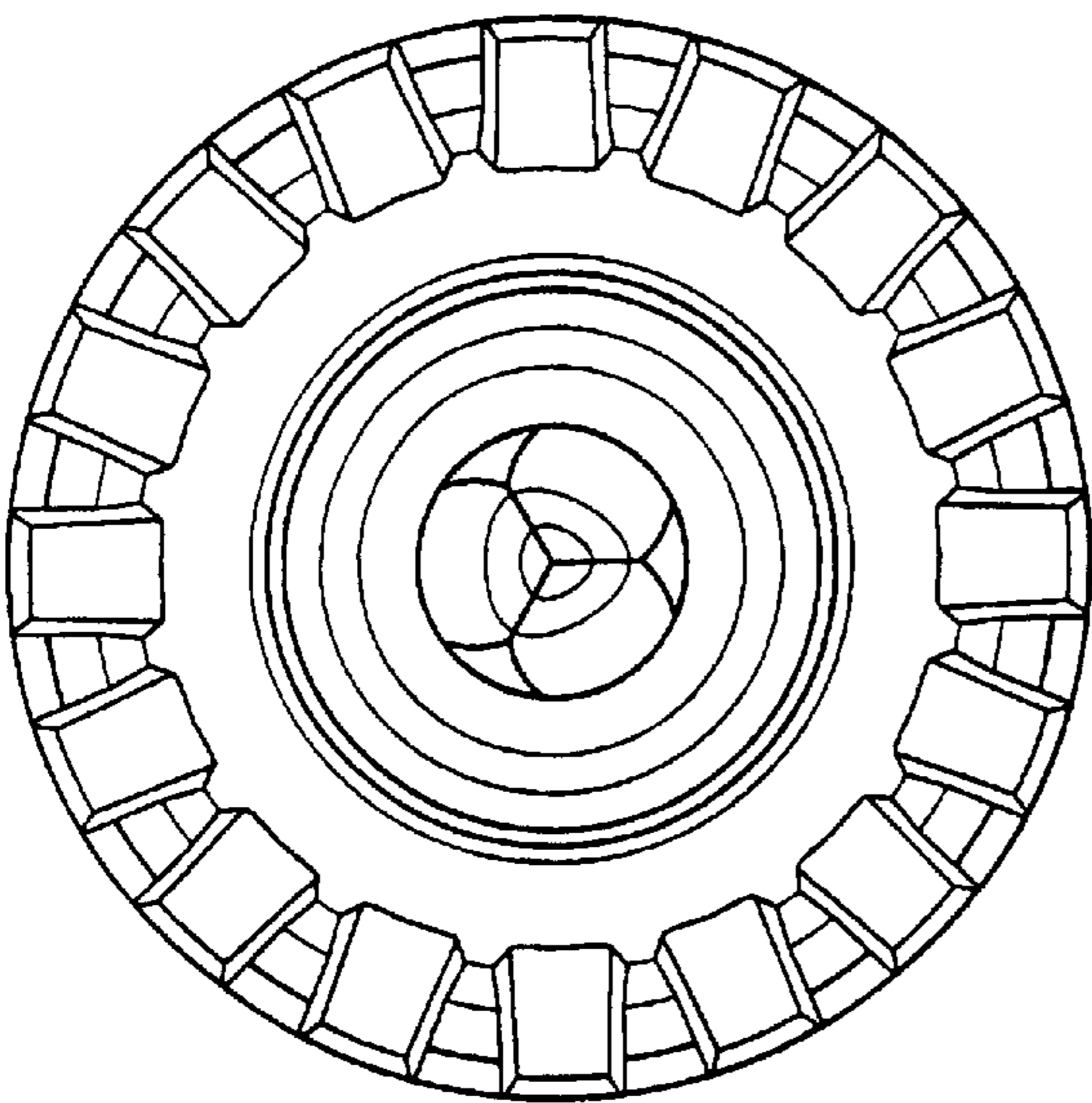


FIG. - 4

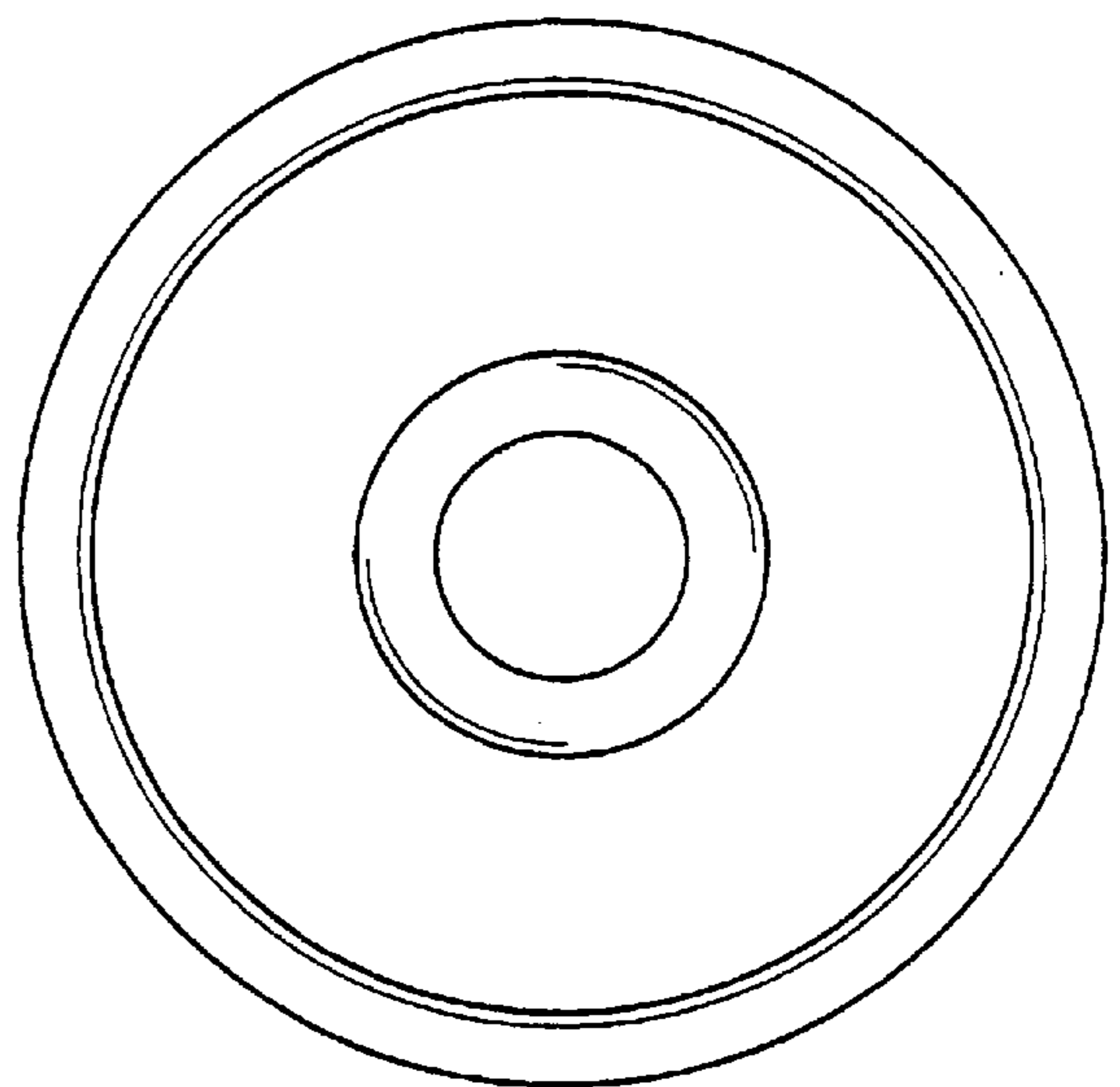


FIG. - 5