



US00D434628S

United States Patent [19]

Etter et al.

[11] Patent Number: Des. 434,628

[45] Date of Patent: ** Dec. 5, 2000

[54] PNEUMATIC UPHOLSTERY STAPLER

[76] Inventors: Mark A. Etter, 15 Barrington Cove;
Leslie Daily Gist, 8 Stonehaven Woods,
both of Jackson, Tenn. 38305

[**] Term: 14 Years

[21] Appl. No.: 29/106,905

[22] Filed: Jun. 23, 1999

[51] LOC (7) Cl. 08-05

[52] U.S. Cl. D8/68; D8/69

[58] Field of Search D8/61, 68; 227/2,
227/8, 111-115, 123, 120, 130

[56] **References Cited**

U.S. PATENT DOCUMENTS

D. 377,590	1/1997	Lai	D8/68
D. 383,658	9/1997	Kaiser	D8/69
D. 415,002	10/1999	Rodgers et al.	D8/69
5,556,020	9/1996	Hou	227/123 X
5,727,726	3/1998	Lin	227/123 X
6,065,662	5/2000	Sauer	227/123 X

Primary Examiner—Antoine Duval Davis
Attorney, Agent, or Firm—Merchant & Gould P.C.

[57] **CLAIM**

The ornamental design for a pneumatic upholstery stapler, as shown and described.

DESCRIPTION

FIG. 1 is a front and top right perspective view of a pneumatic fastener driver, specifically a pneumatic upholstery stapler;

FIG. 2 is a front elevational view of the pneumatic upholstery stapler shown in FIG. 1.

FIG. 3 is a rear elevational view of the pneumatic upholstery stapler shown in FIG. 1.

FIG. 4 is a right side elevational view of the pneumatic upholstery stapler shown in FIG. 1.

FIG. 5 is a left side elevational view of the pneumatic upholstery stapler shown in FIG. 1.

FIG. 6 is a top plan view of the pneumatic upholstery stapler shown in FIG. 1; and,

FIG. 7 is a bottom plan view of the pneumatic upholstery stapler shown in FIG. 1.

1 Claim, 7 Drawing Sheets

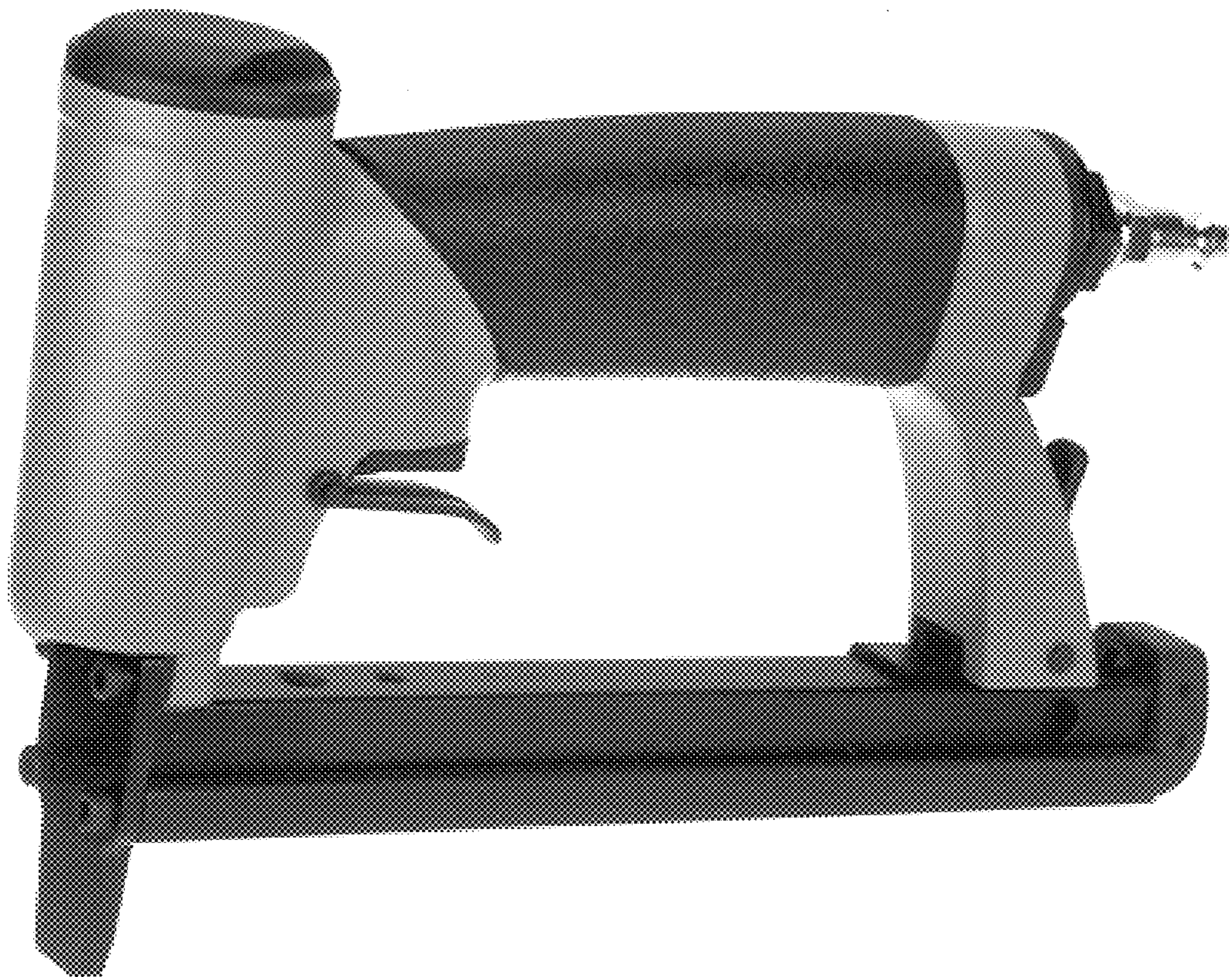


FIG. 1

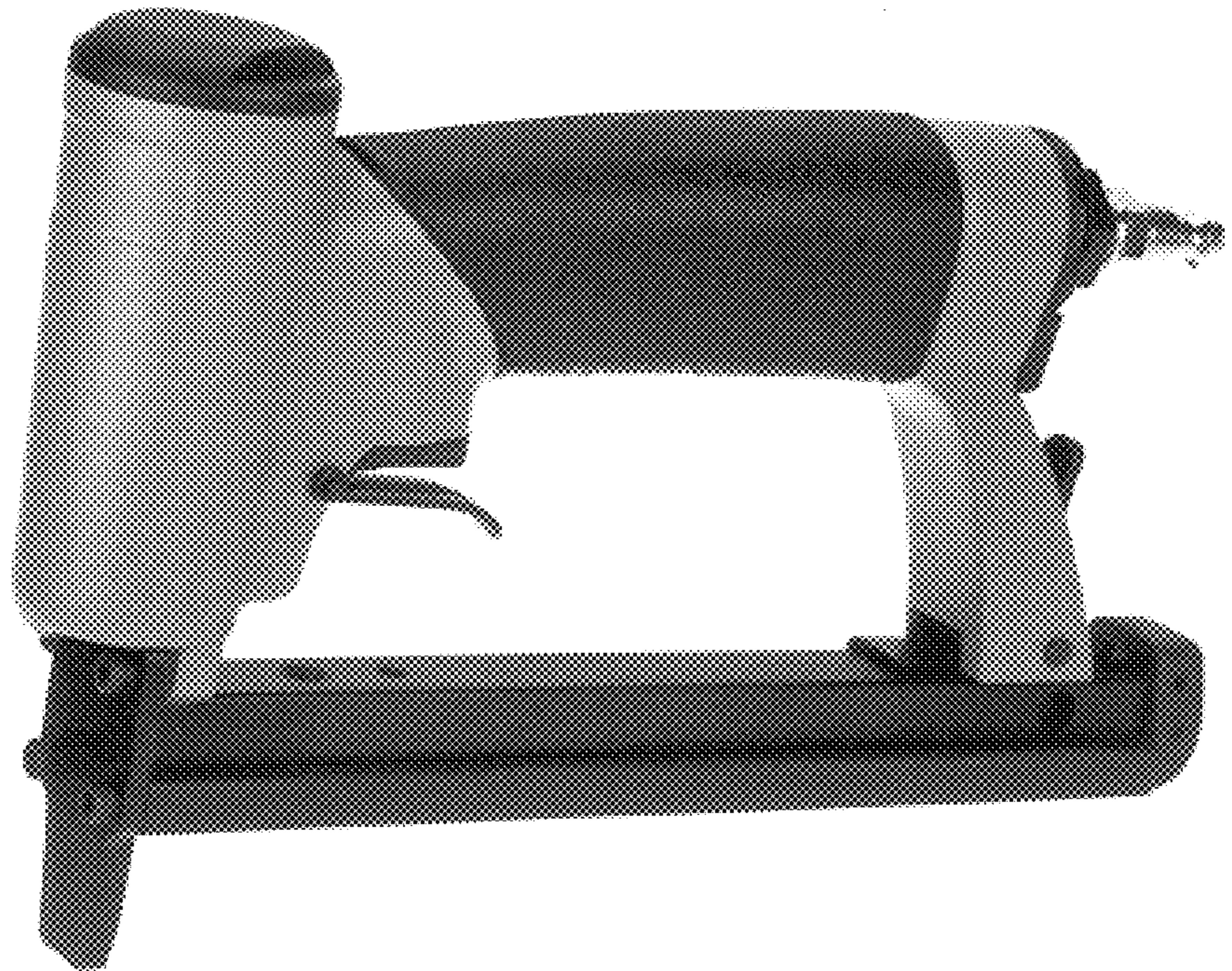


FIG. 2

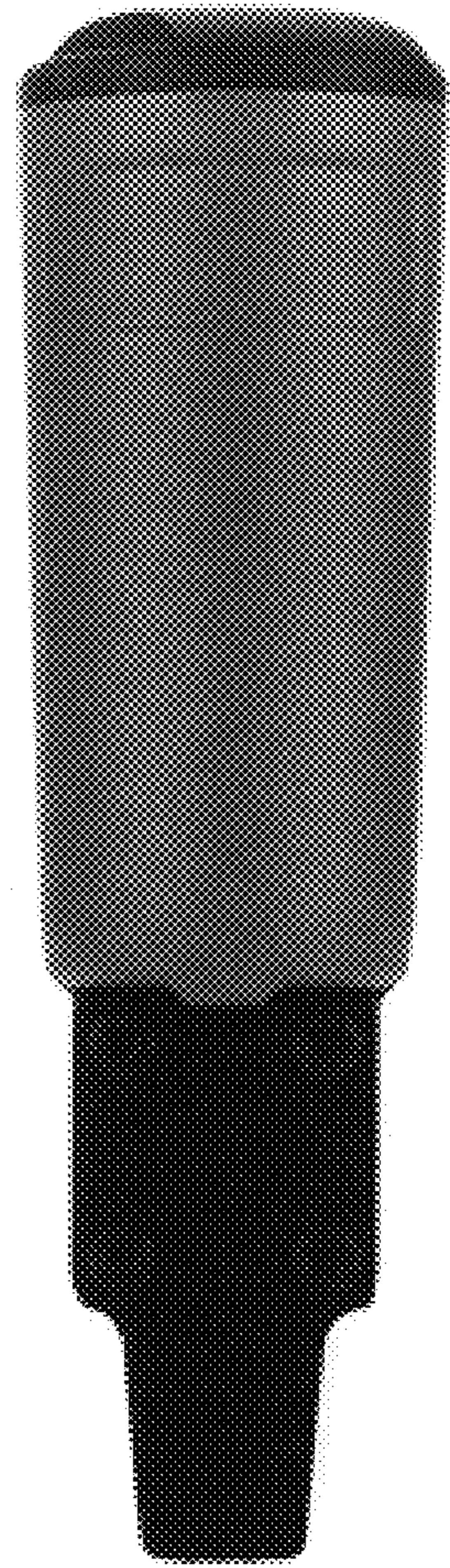


FIG. 3

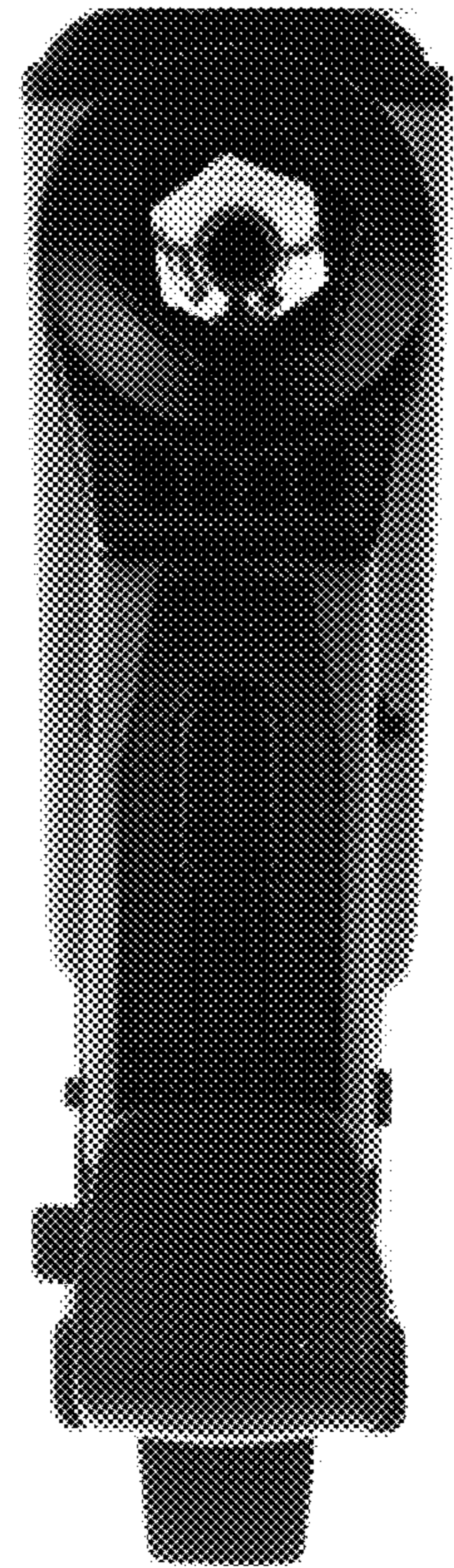


FIG. 4



FIG. 5

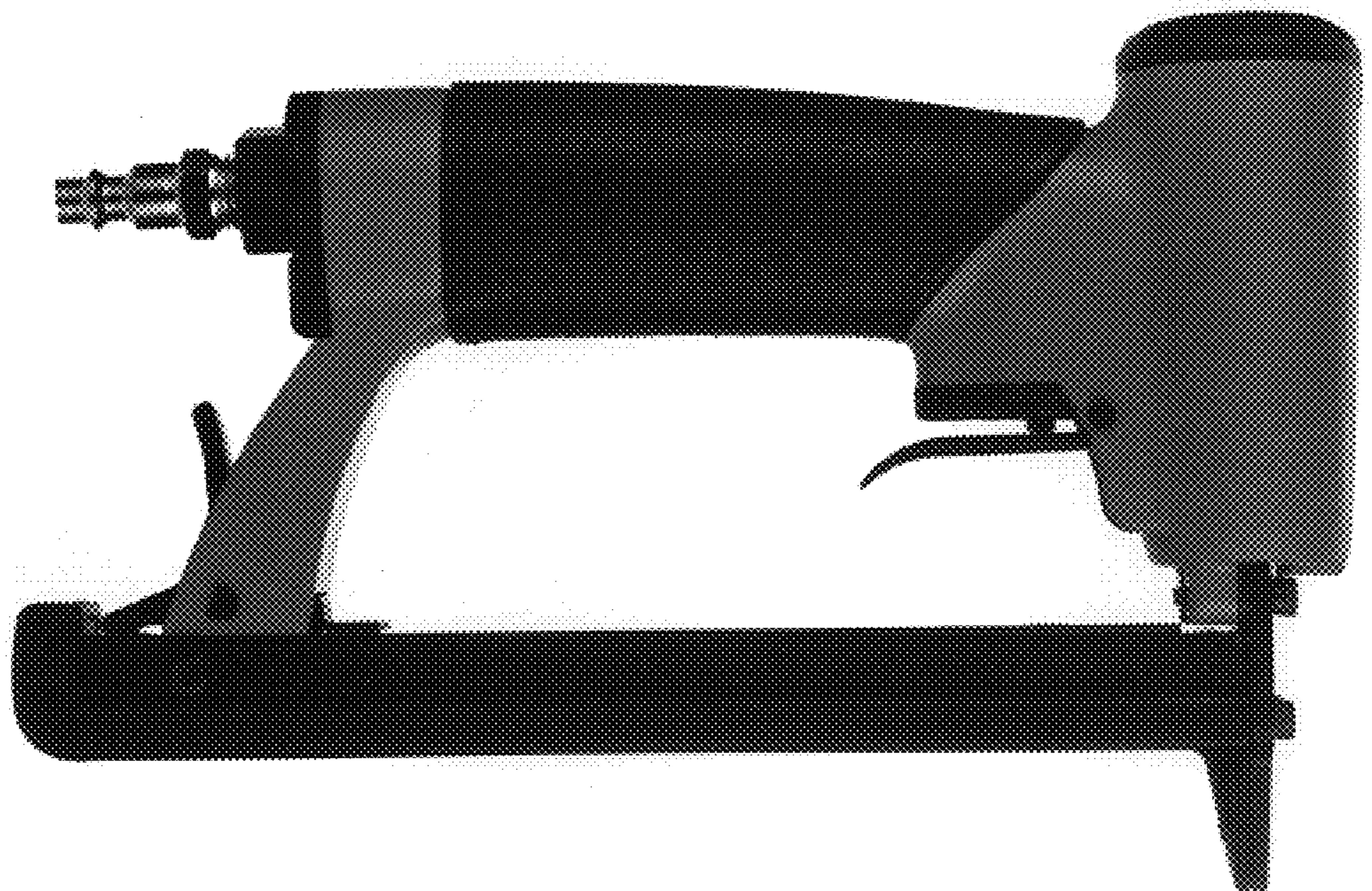


FIG. 6

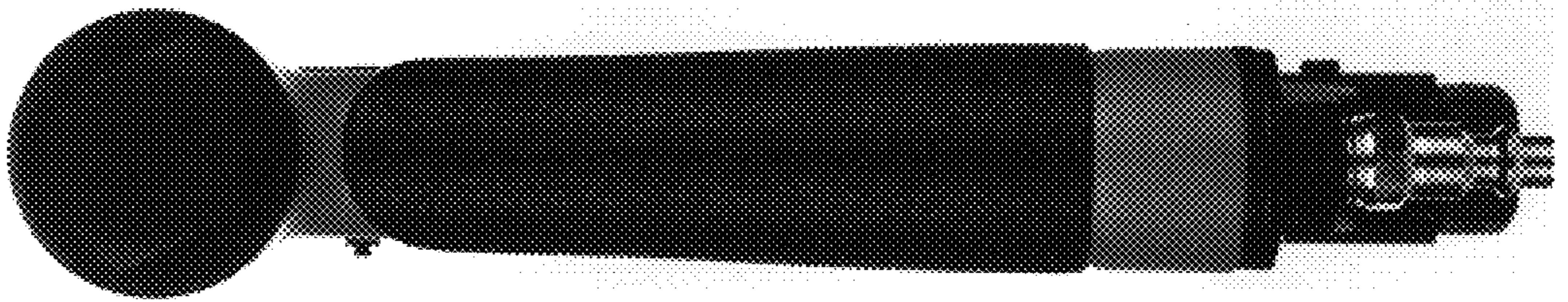


FIG. 7

