



US00D434627S

United States Patent [19] Buck

[11] Patent Number: **Des. 434,627**

[45] Date of Patent: **** *Dec. 5, 2000**

[54] **RECIPROCATING SAW**

[75] Inventor: **John E. Buck**, Cockeysville, Md.

[73] Assignee: **Black & Decker Inc.**, Newark, Del.

[**] Term: **14 Years**

[21] Appl. No.: **29/109,394**

[22] Filed: **Aug. 13, 1999**

[51] **LOC (7) Cl.** **08-03**

[52] **U.S. Cl.** **D8/64; D8/69**

[58] **Field of Search** D8/61, 62, 64,
D8/65, 66, 68, 69, 70, 107, DIG. 7; 30/166.3,
272.1, 374-377, 392-394; 81/489; D13/103;
83/699.21, 746, 747

[56] **References Cited**

U.S. PATENT DOCUMENTS

- D. 202,255 9/1965 Romain .
- D. 292,368 10/1987 Mikiya .
- D. 327,829 7/1992 Mochida .
- D. 329,794 9/1992 Graham .
- D. 339,510 9/1993 Sakamoto et al. .
- D. 401,128 11/1998 Zurwelle D8/64
- D. 408,699 4/1999 Zurwelle .
- D. 415,100 10/1999 Buck D13/103
- D. 416,180 11/1999 Sakai et al. D8/64
- 3,945,120 3/1976 Ritz .

- 5,079,844 1/1992 Palm .
- 5,083,376 1/1992 Lentino 30/392
- 5,212,887 5/1993 Farmerie 30/393
- 5,458,346 10/1995 Briggs .
- 5,598,636 2/1997 Stolzer .
- 5,855,070 1/1999 Grabowski 30/376
- 5,940,977 8/1999 Moores, Jr. 30/392

FOREIGN PATENT DOCUMENTS

- M9006458 8/1991 Germany .
- M9108195 6/1992 Germany .

Primary Examiner—Martie K. Holtje
Attorney, Agent, or Firm—Dennis A. Dearing; Charles E. Yocum

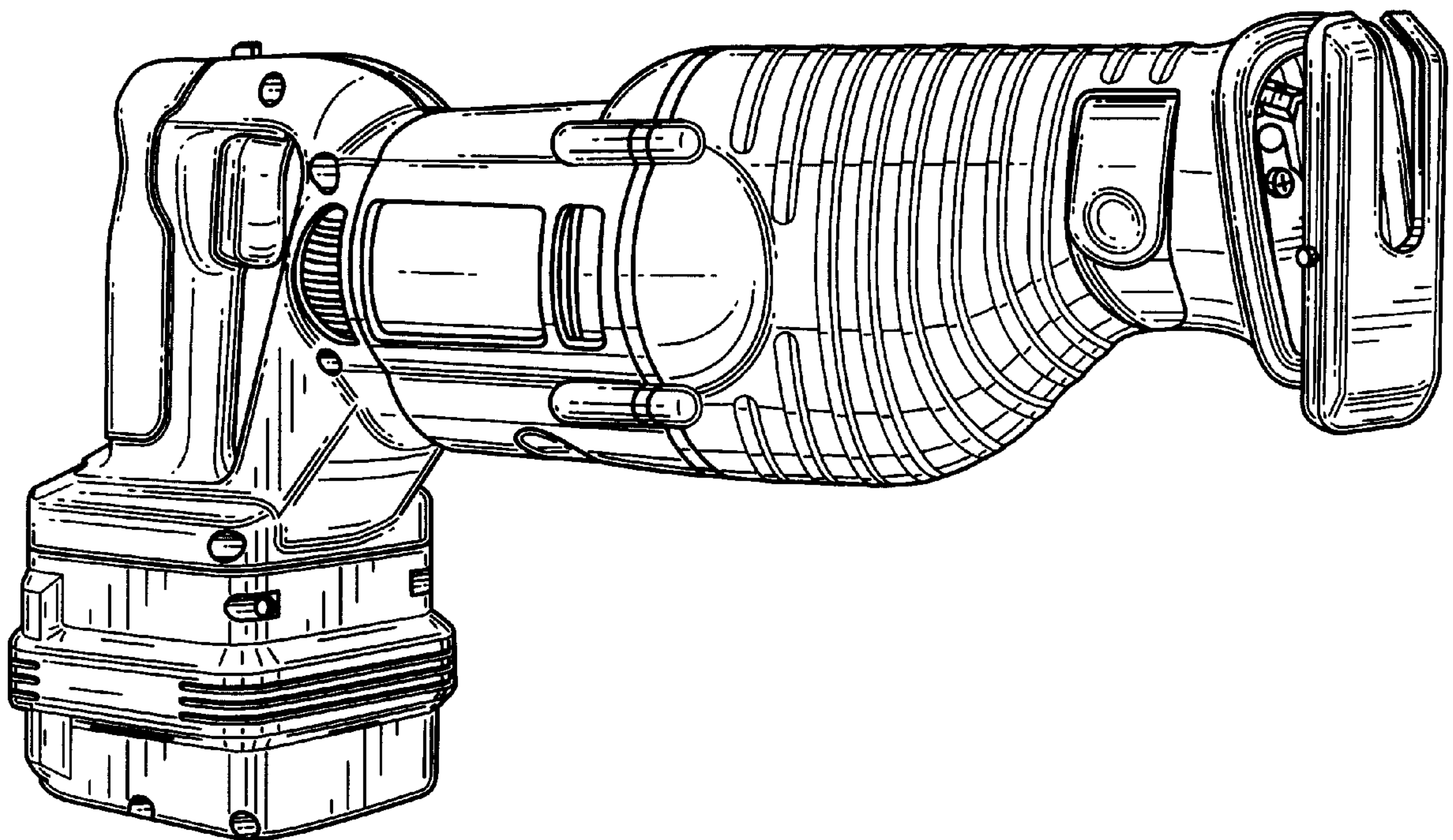
[57] **CLAIM**

The ornamental design for a reciprocating saw, as shown and described.

DESCRIPTION

FIG. 1 is a front perspective view of a reciprocating saw showing my new design.
FIG. 2 is a front elevational view thereof.
FIG. 3 is a rear elevational view thereof.
FIG. 4 is a right side elevational view thereof.
FIG. 5 is a left side elevational view thereof.
FIG. 6 is a top plan view thereof; and,
FIG. 7 is a bottom plan view thereof.

1 Claim, 7 Drawing Sheets



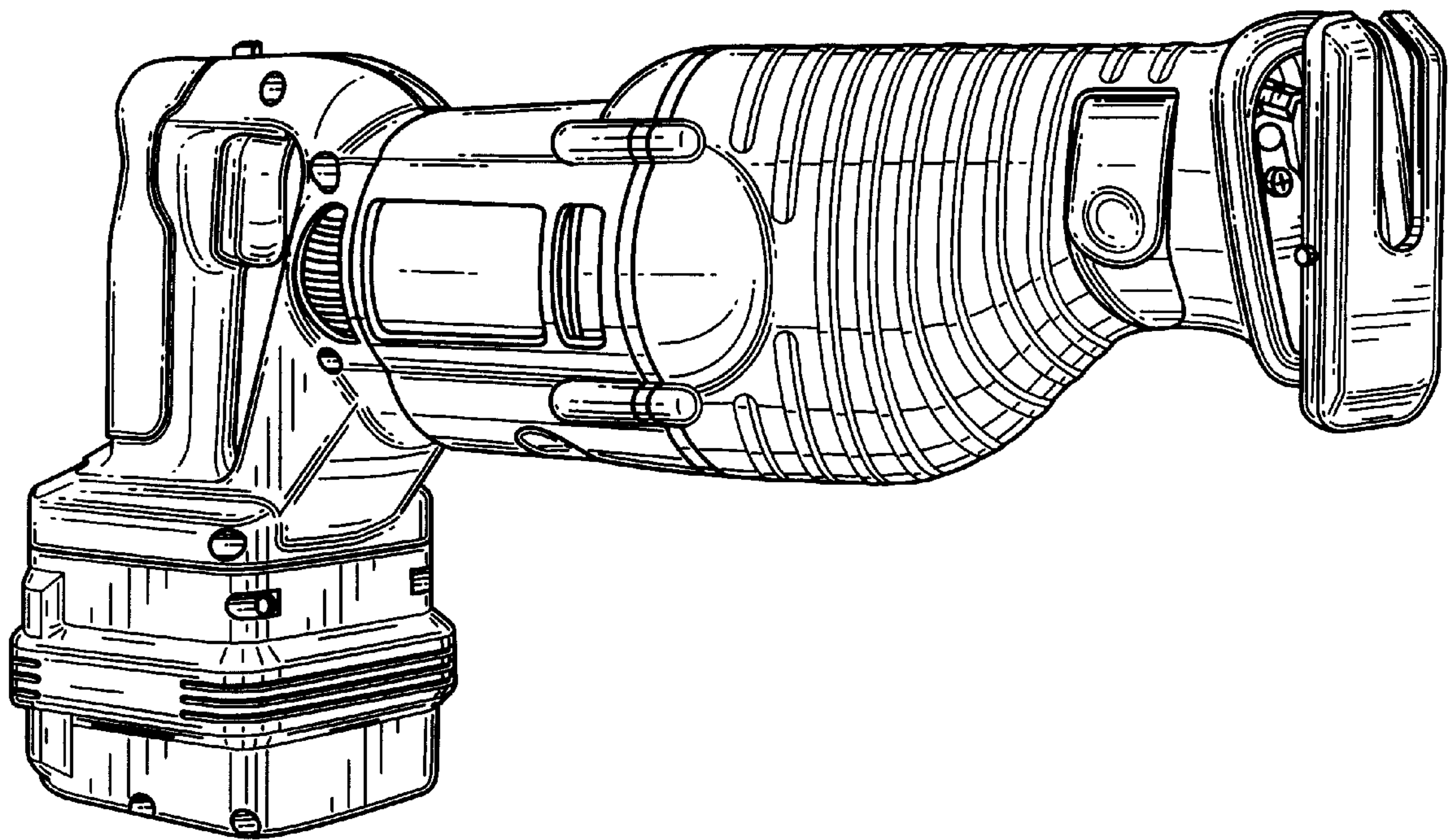


FIG. 1

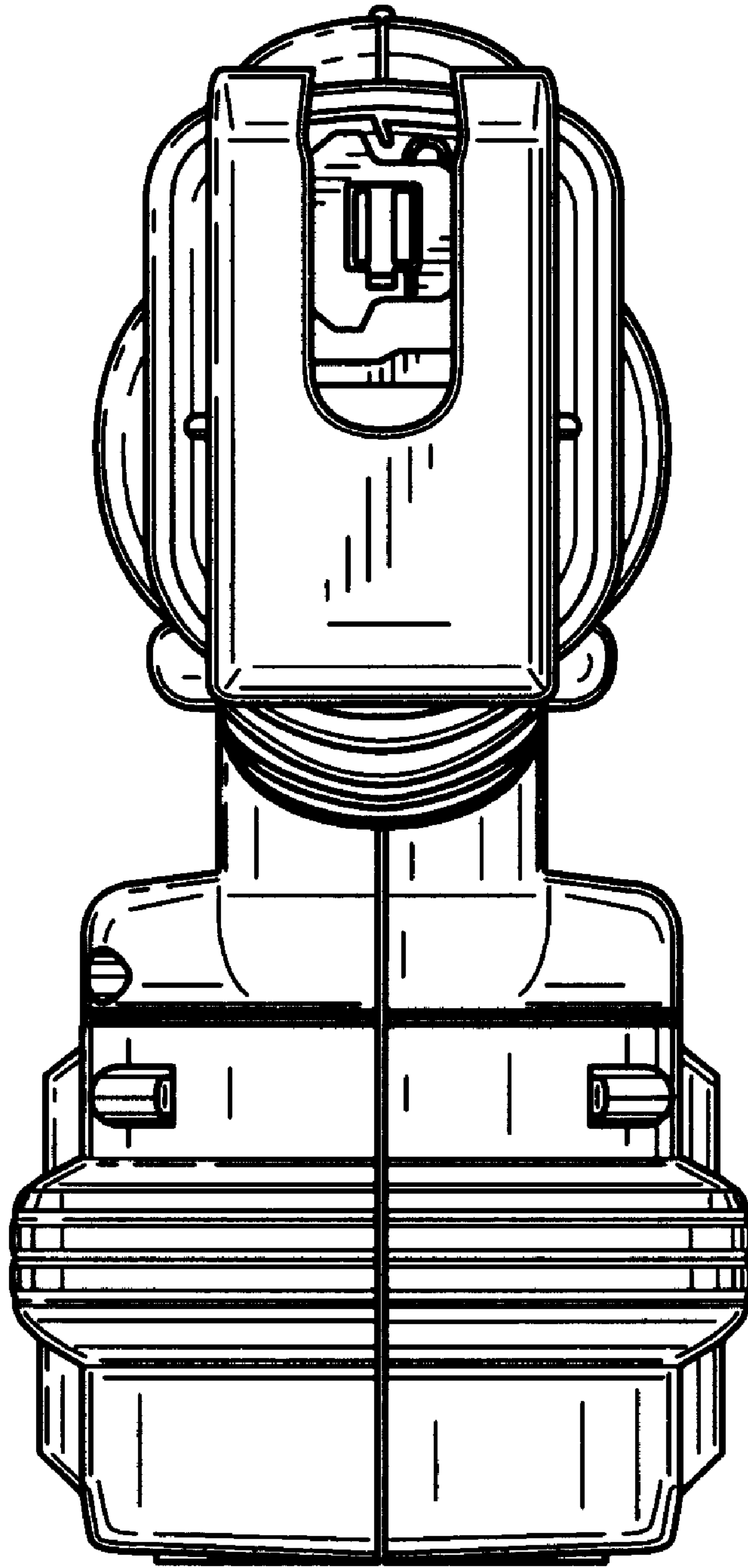


FIG. 2

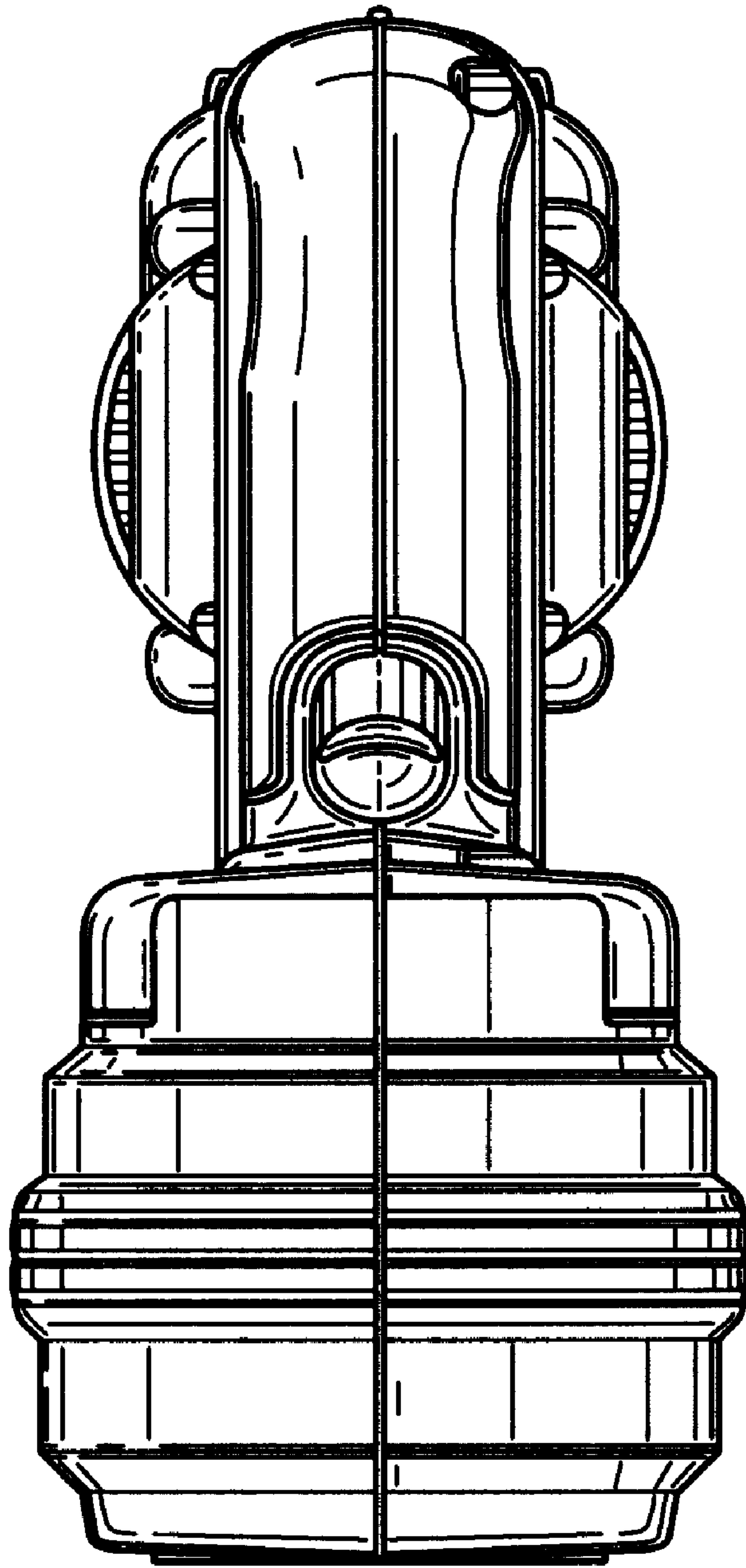


FIG. 3

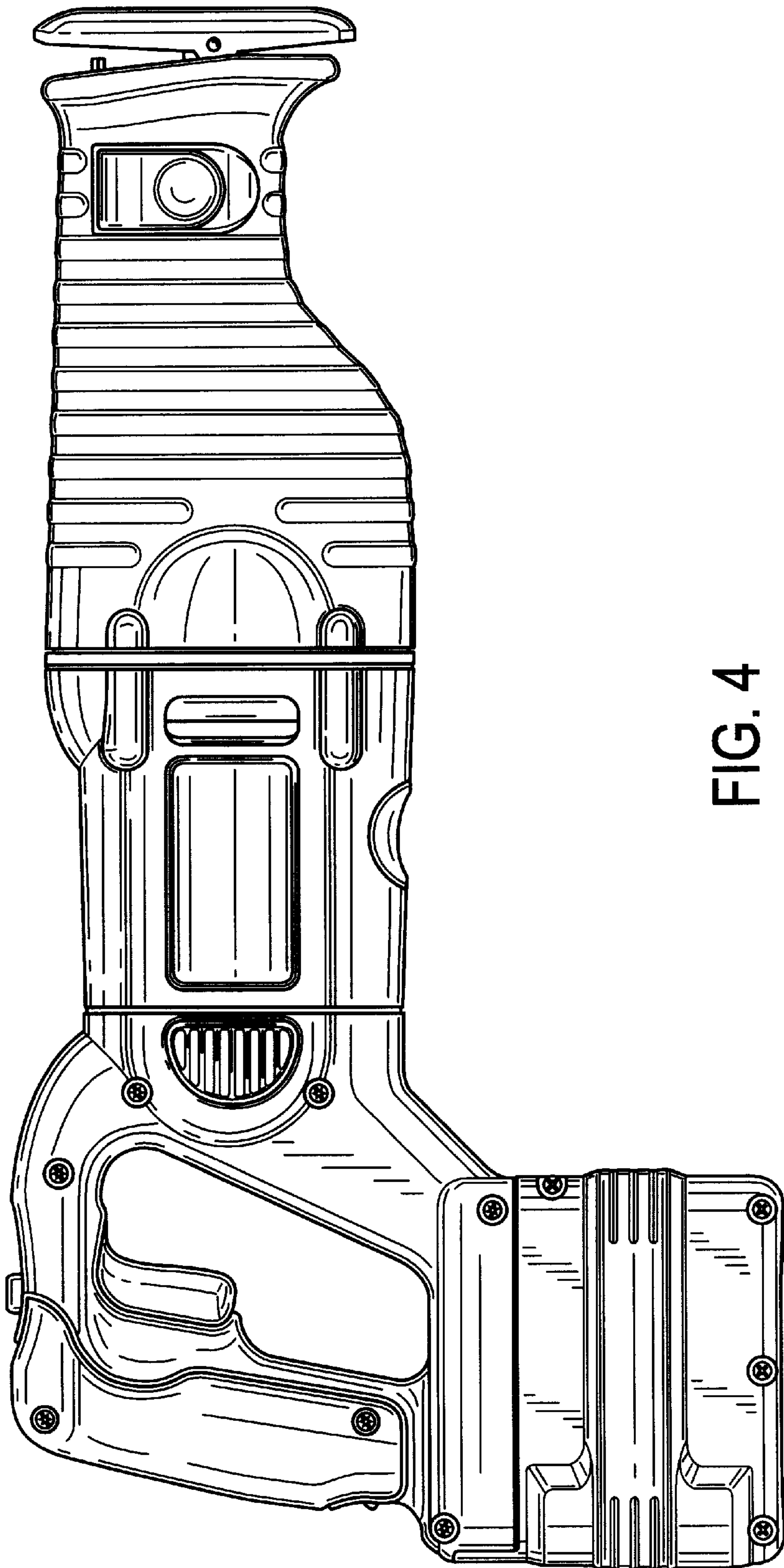


FIG. 4

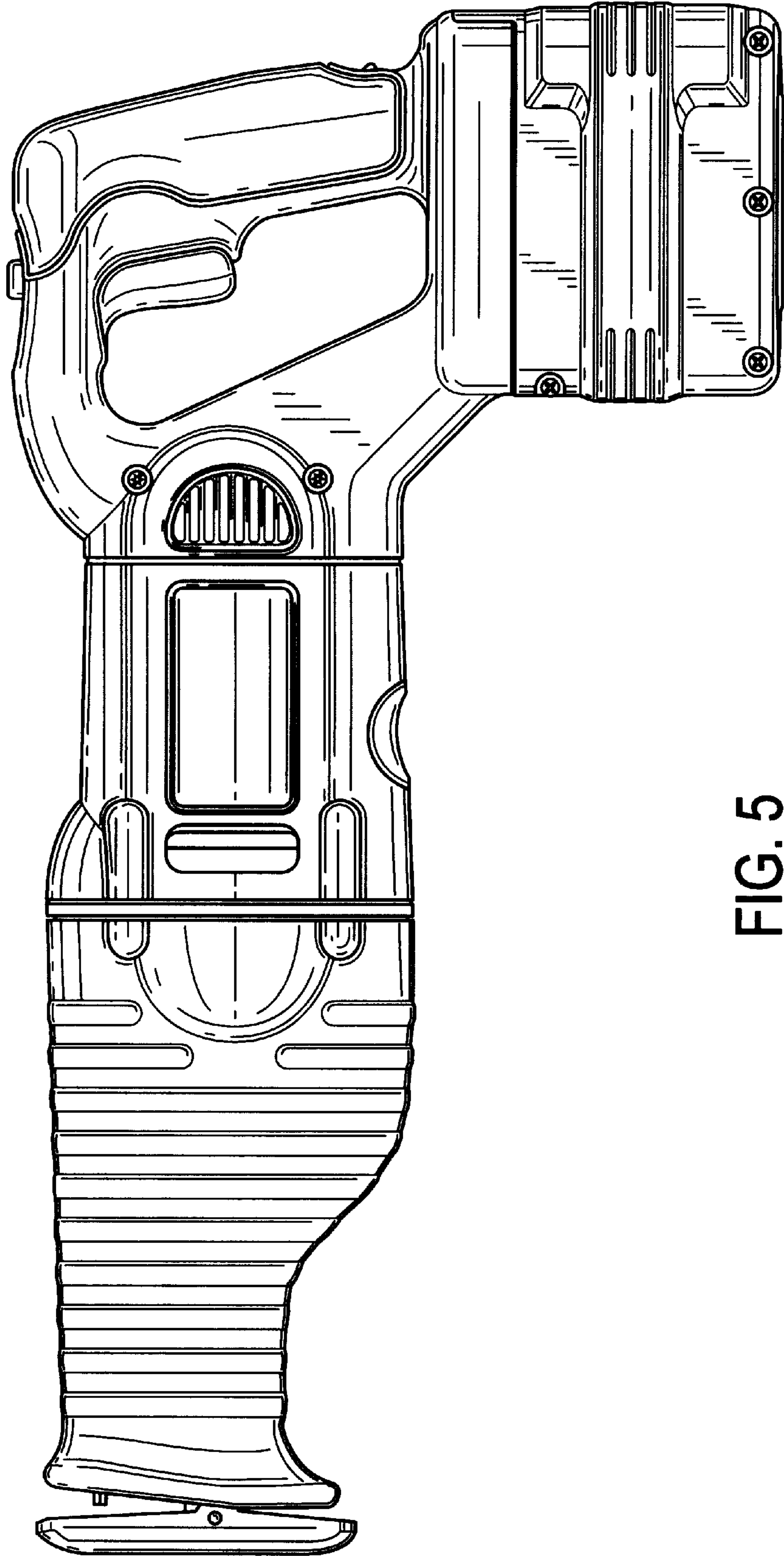


FIG. 5

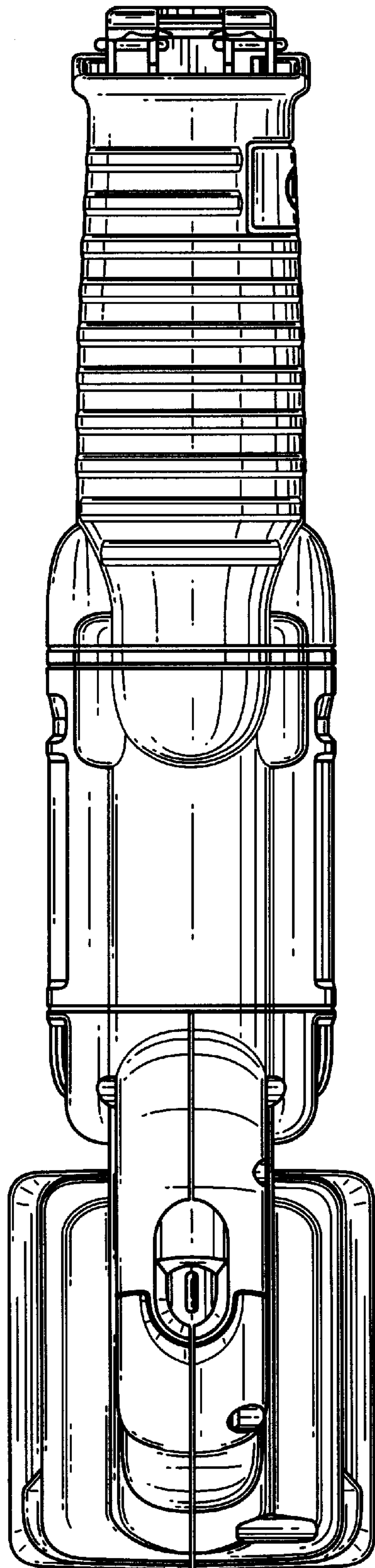


FIG. 6

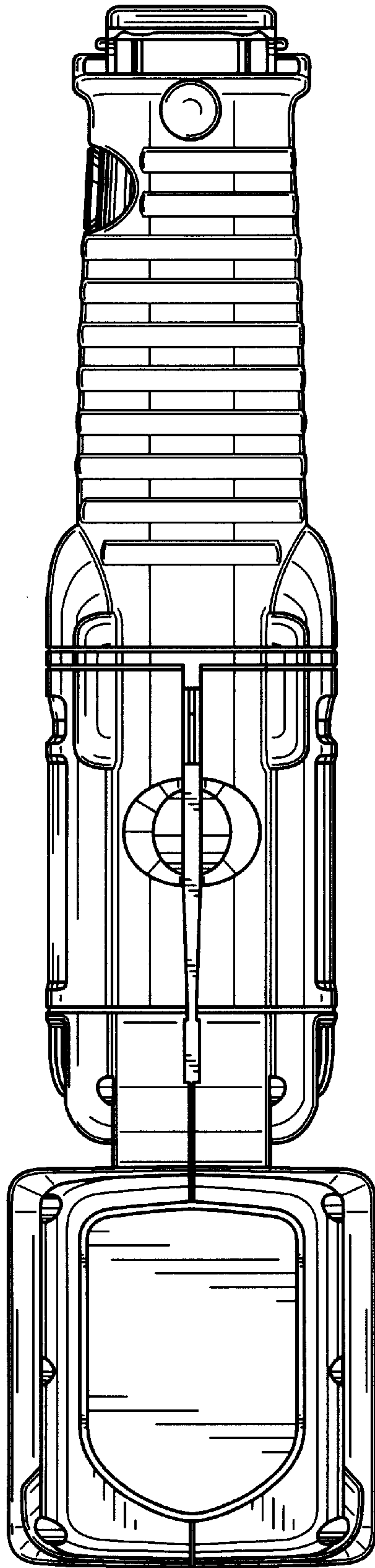


FIG. 7