



US00D434625S

United States Patent [19]

Denton

[11] Patent Number: Des. 434,625

[45] Date of Patent: ** Dec. 5, 2000

[54] CURBING TOOL

1,646,150 10/1927 Kennedy 15/235.3
4,064,588 12/1977 Cooper 15/235.3

[76] Inventor: Duane A. Denton, 1495 Cameron
Bridge West, Bozeman, Mont. 59718

Primary Examiner—Nanda Bondade
Attorney, Agent, or Firm—Shook, Hardy & Bacon LLP

[**] Term: 14 Years

[57] CLAIM

[21] Appl. No.: 29/113,728

The ornamental design for a curbing tool, as shown and described.

[22] Filed: Nov. 12, 1999

DESCRIPTION

[51] LOC (7) Cl. 08-05

[52] U.S. Cl. D8/45

[58] Field of Search D8/14, 45, 90,
D8/91; 15/25, 105.5, 235.3

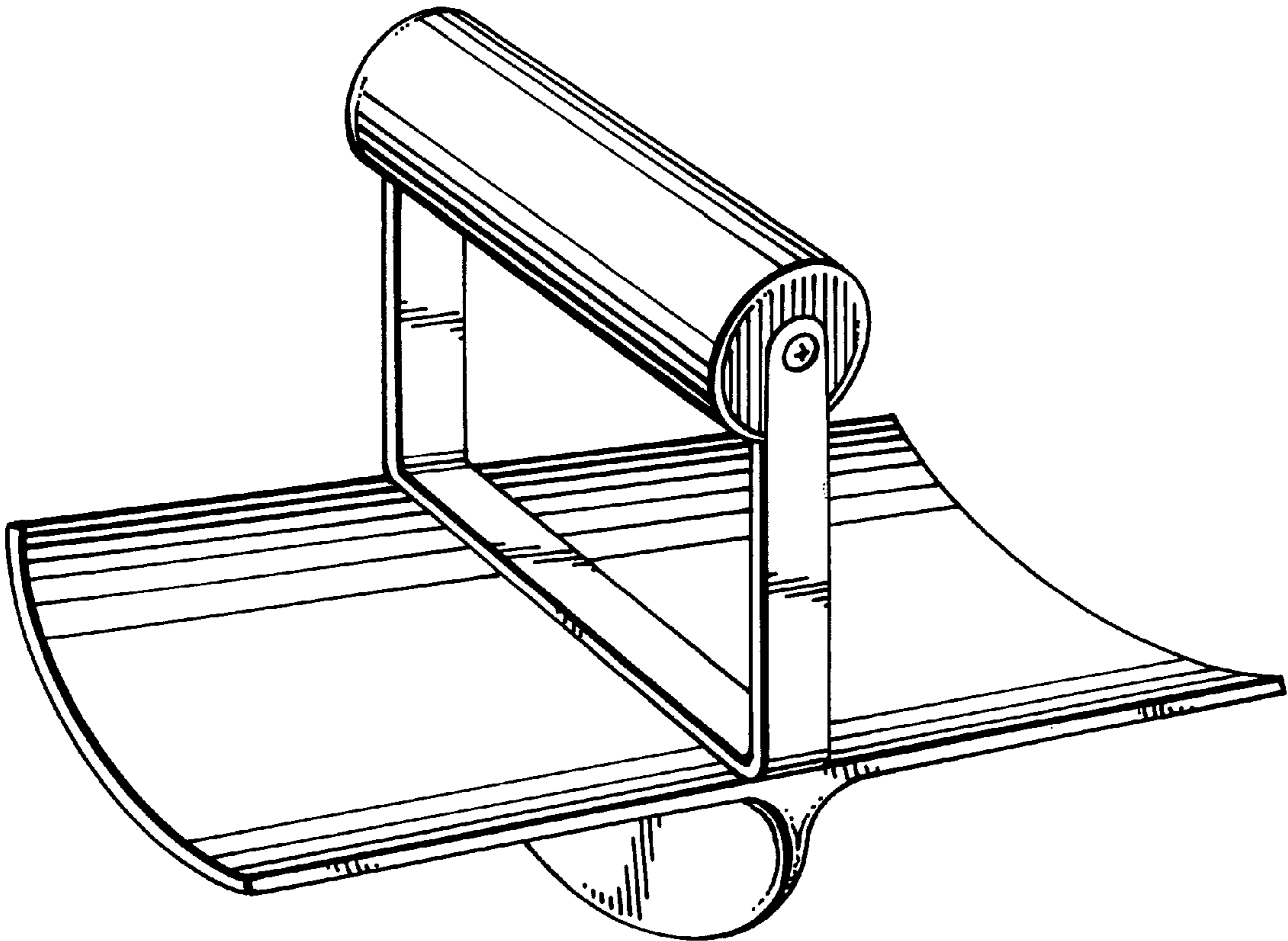
FIG. 1 is a perspective view of a curbing tool according to the present invention;
FIG. 2 is a top plan view of the curbing tool of the present invention;
FIG. 3 is a front elevational view of the curbing tool of the present invention; the rear view being identical;
FIG. 4 is a side elevational view of the curbing tool of the present invention; the opposite side view being identical; and,
FIG. 5 is a bottom plan view of the curbing tool of the present invention.

[56] References Cited

U.S. PATENT DOCUMENTS

D. 204,316	4/1966	Cline	D8/14
D. 310,012	8/1990	Henke et al.	D8/45
D. 371,730	7/1996	Vermillion	D8/14
867,819	10/1907	Grundmann	15/235.3
1,295,735	2/1919	Grundmann	15/235.3
1,348,639	8/1920	Grundmann	15/235.3

1 Claim, 3 Drawing Sheets



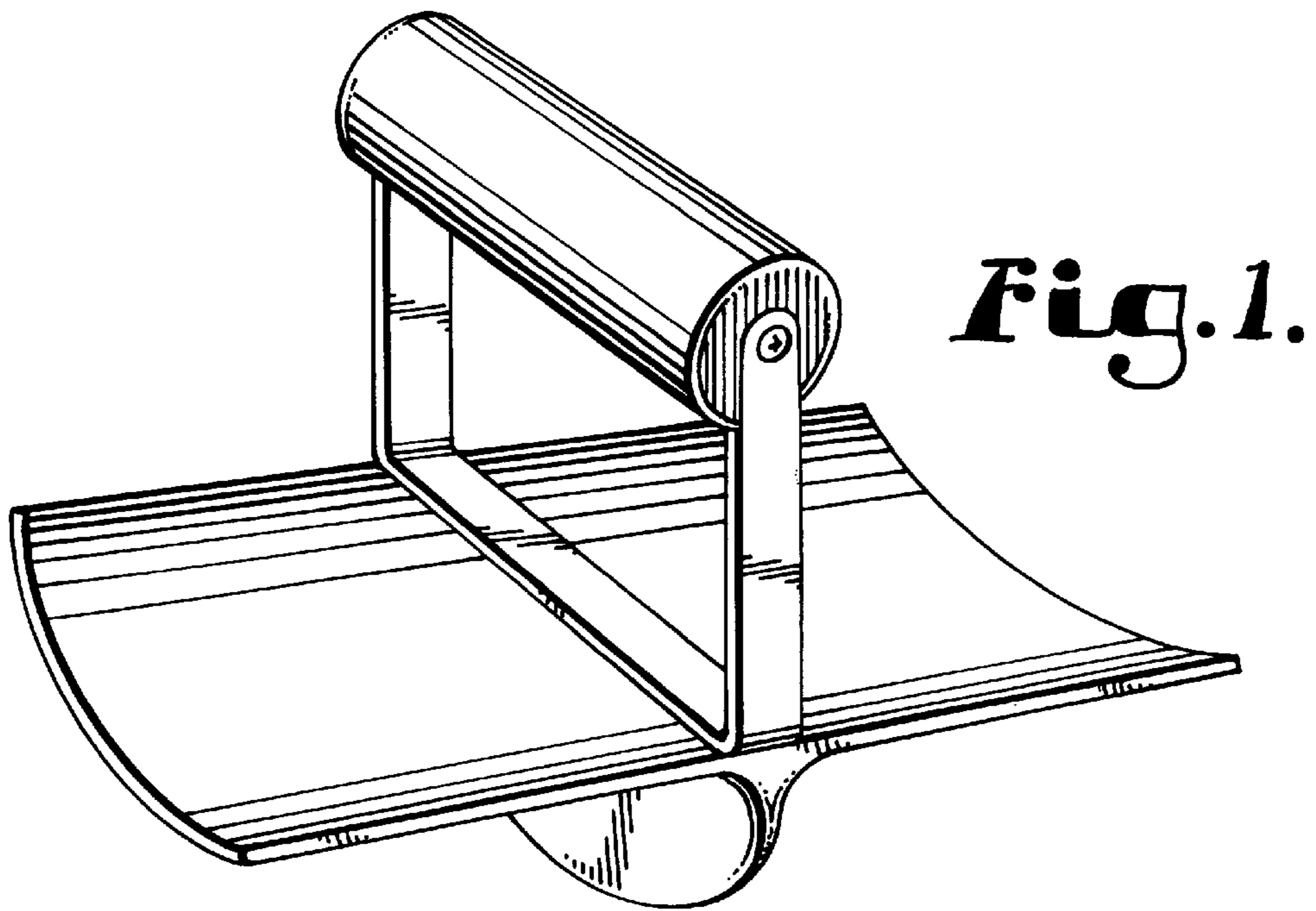
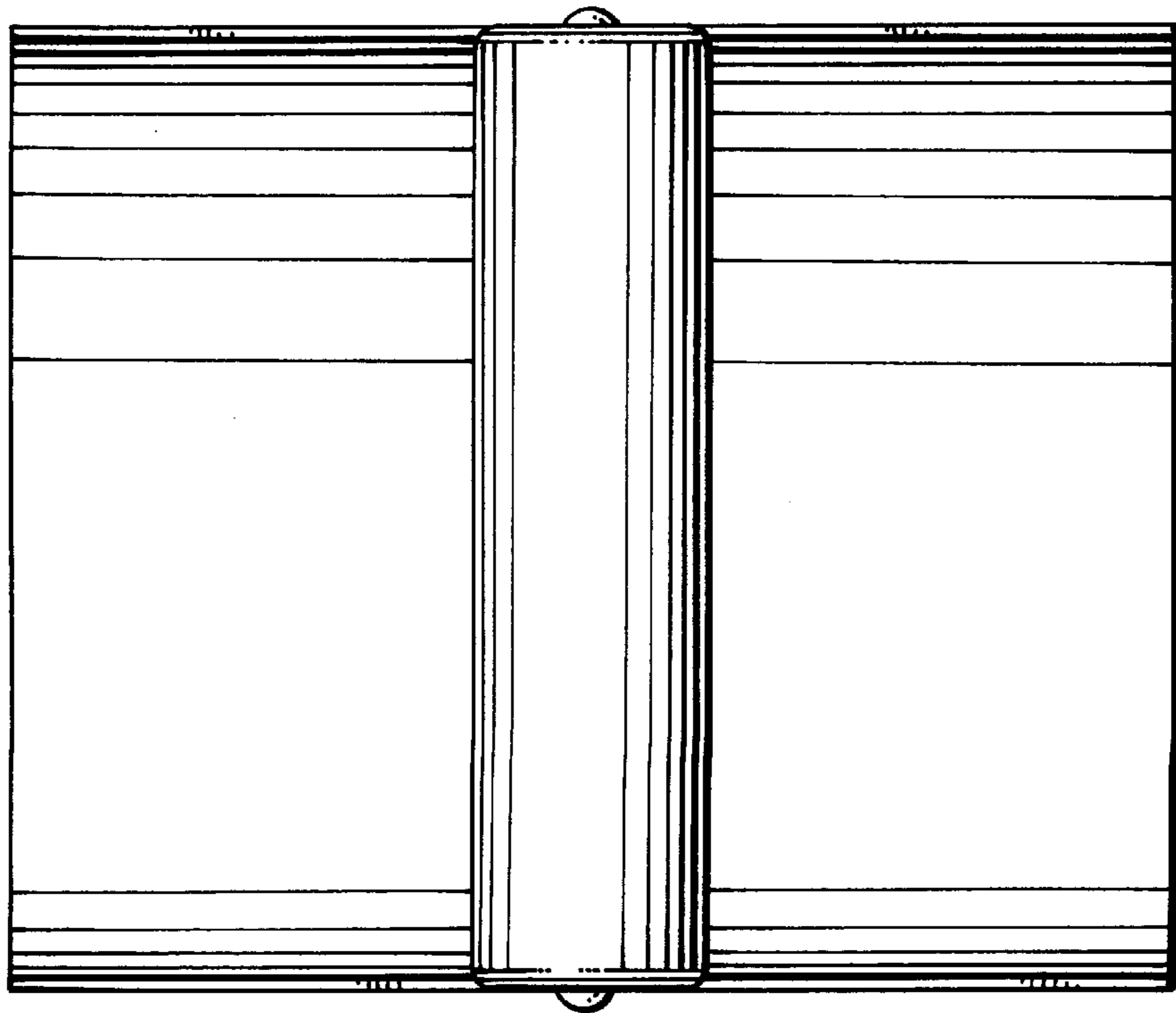


Fig. 1.

Fig. 2.



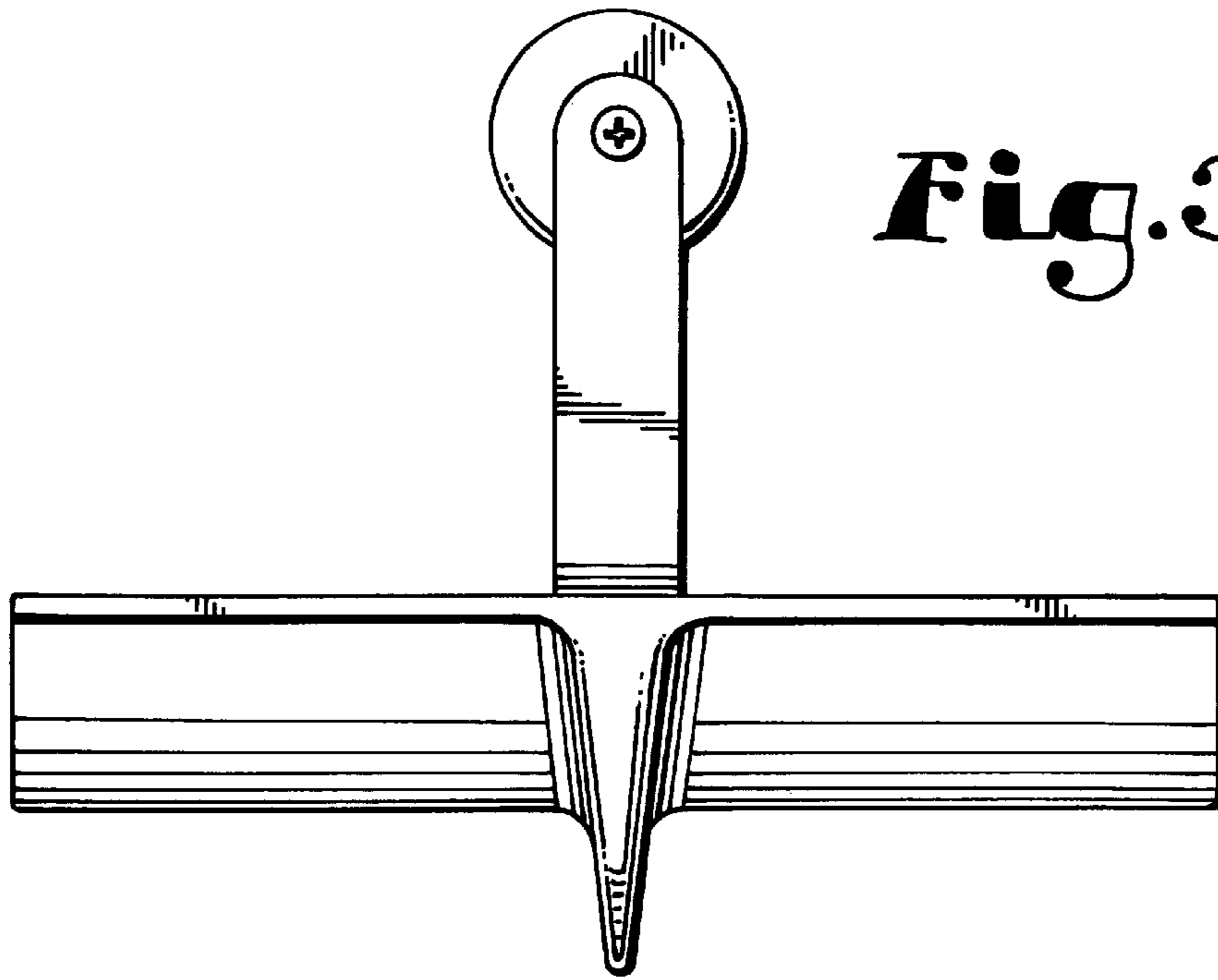


Fig. 3.

Fig. 4.

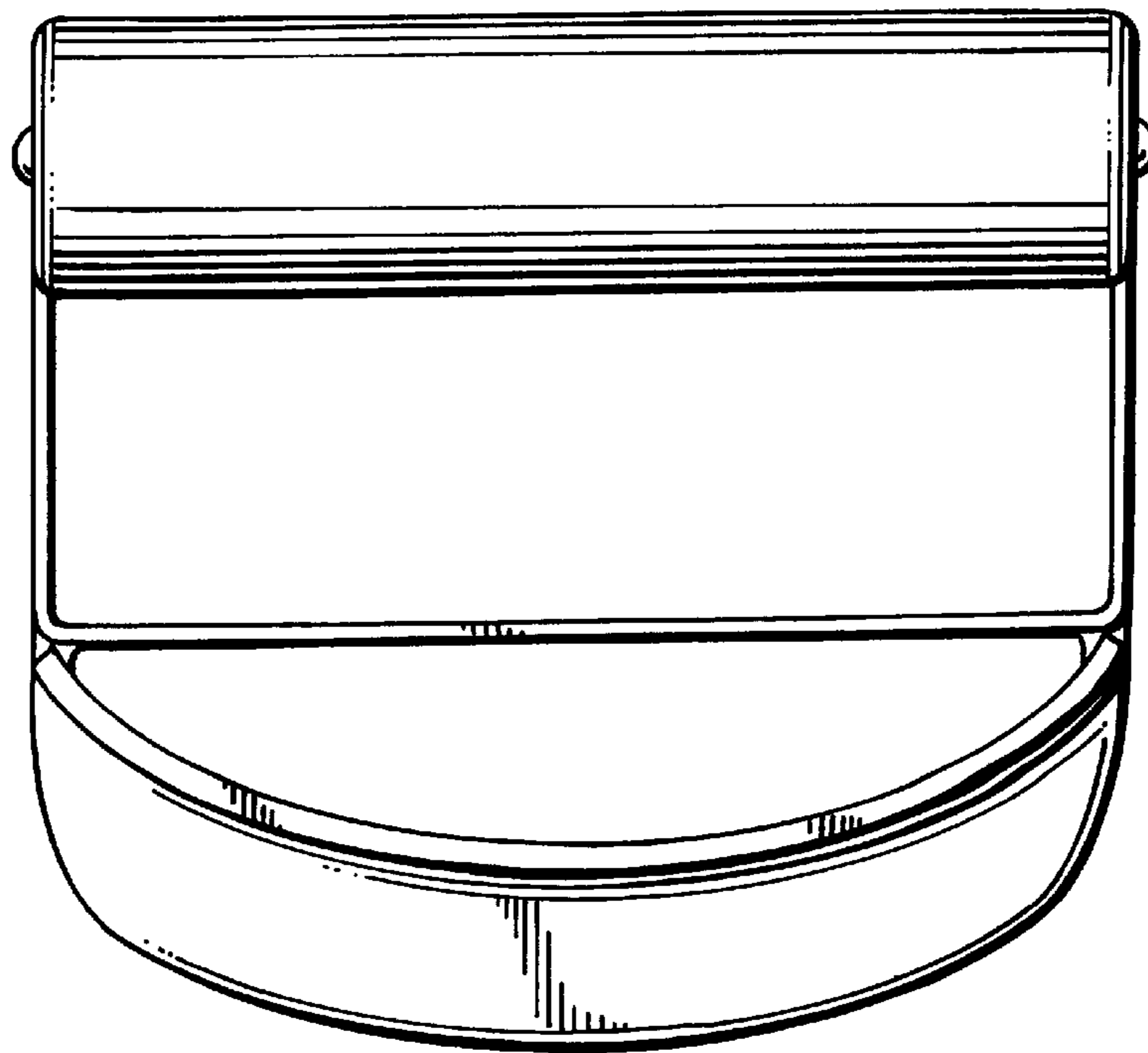


Fig. 5.

