



US00D434624S

United States Patent [19]

[11] **Patent Number: Des. 434,624**

Padden

[45] **Date of Patent: ** Dec. 5, 2000**

[54] **MULTI-PURPOSE ENTERTAINMENT TOOL**

5,217,150 6/1993 Chen 30/151
5,328,026 7/1994 Newman 206/234

[76] Inventor: **Stephen J. Padden**, 120 Shamrock Dr.,
Ventura, Calif. 93003

Primary Examiner—Jeffrey Asch
Attorney, Agent, or Firm—Kenneth J. Hovet

[**] Term: **14 Years**

[57] CLAIM

[21] Appl. No.: **29/106,618**

The ornamental design for a multi-purpose entertainment tool, as shown and described.

[22] Filed: **Jun. 21, 1999**

DESCRIPTION

[51] **LOC (7) Cl.** **07-06**

[52] **U.S. Cl.** **D8/42; D8/40; D8/105**

[58] **Field of Search** D8/105, 98, 99,
D8/14, 16, 18, 19, 33-43; 30/162, 151,
400-443; 206/234; 81/3.07-3.49; 7/151-156

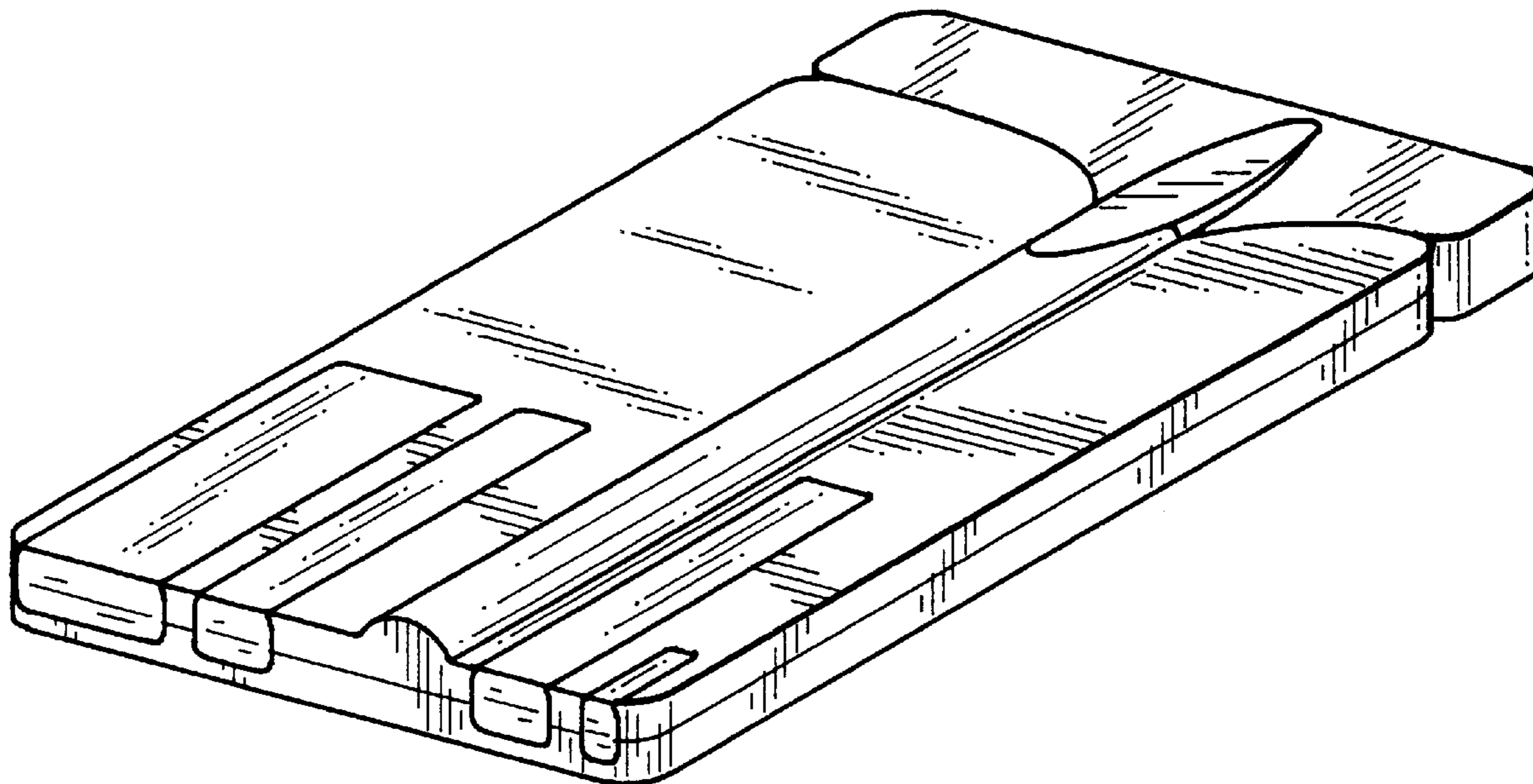
FIG. 1 is an isometric view of a multi-purpose entertainment tool showing my new design;
FIG. 2 is a top plan view;
FIG. 3 is a right end elevational view;
FIG. 4 is a left end elevational view;
FIG. 5 is a front side elevational view thereof, the back side being identical thereto; and,
FIG. 6 is a bottom plan view thereof.

[56] References Cited

U.S. PATENT DOCUMENTS

- D. 360,815 8/1995 Padden D8/98 X
- D. 374,388 10/1996 Padden D8/105
- D. 399,405 10/1998 Savoia D8/105

1 Claim, 2 Drawing Sheets



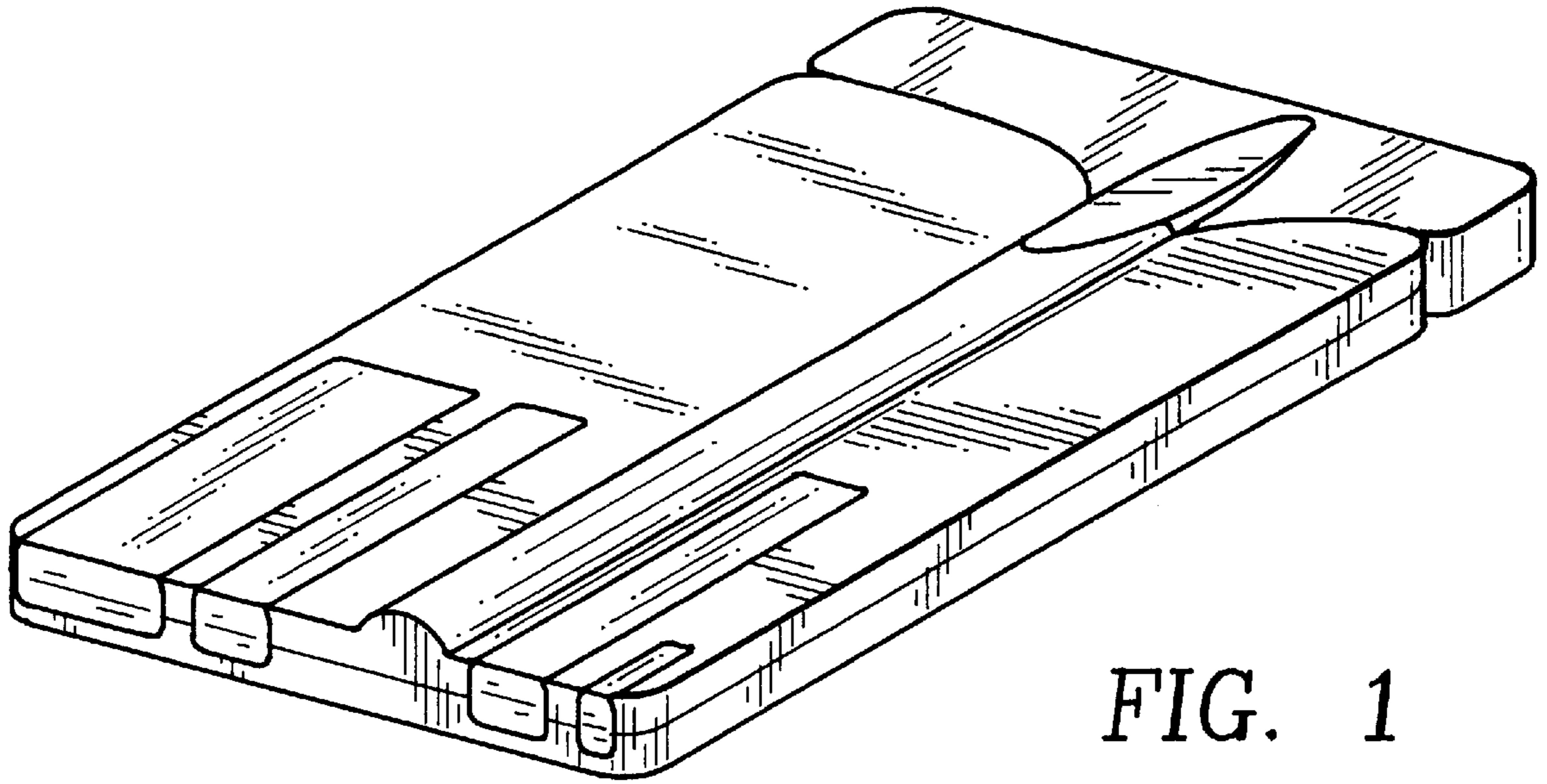


FIG. 1

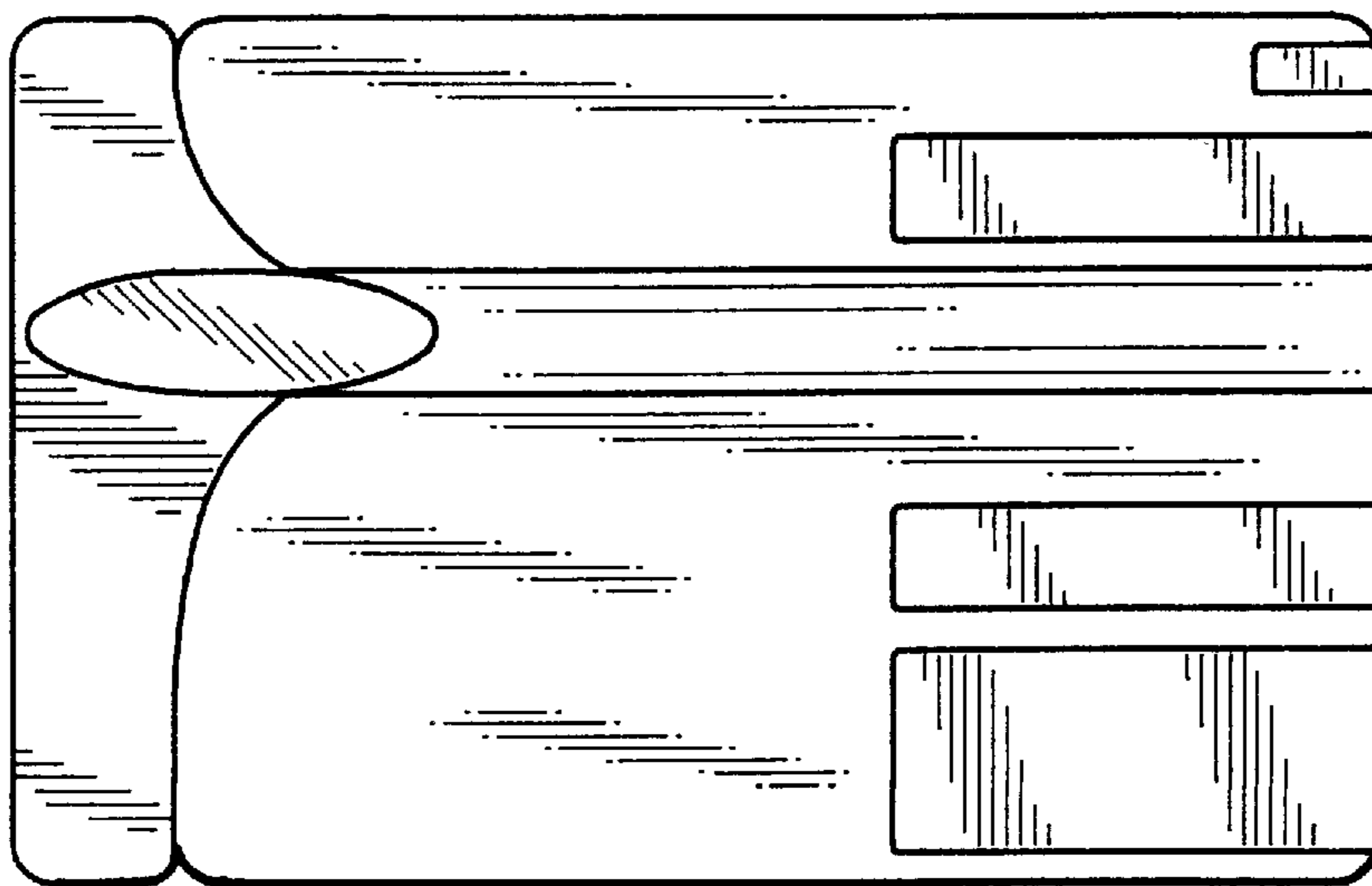


FIG. 2



FIG. 3

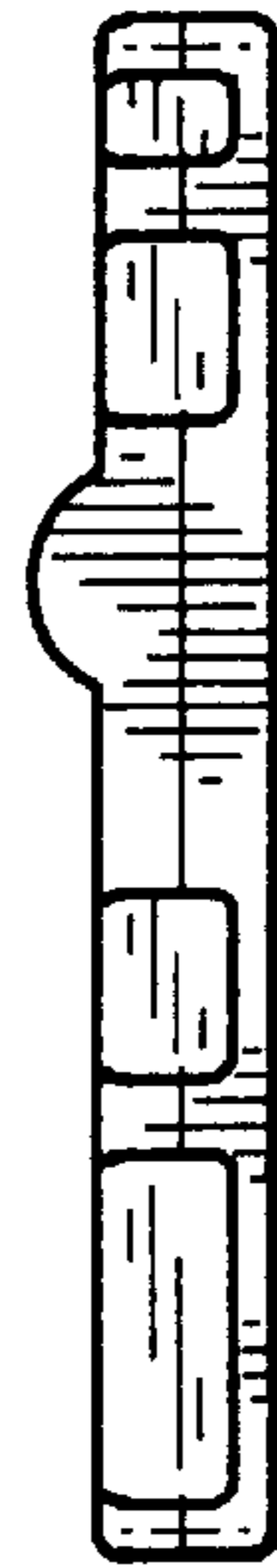


FIG. 4

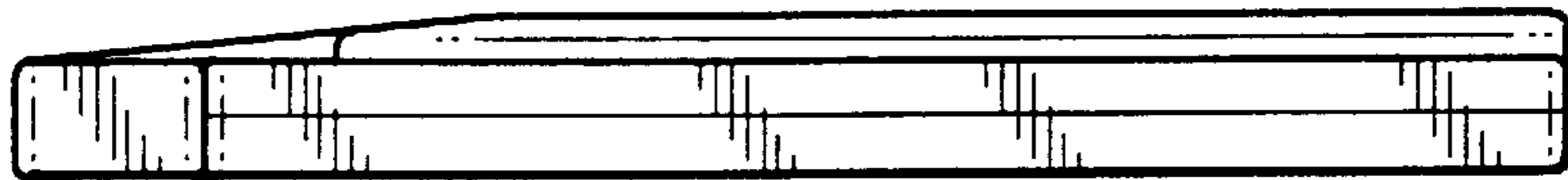


FIG. 5

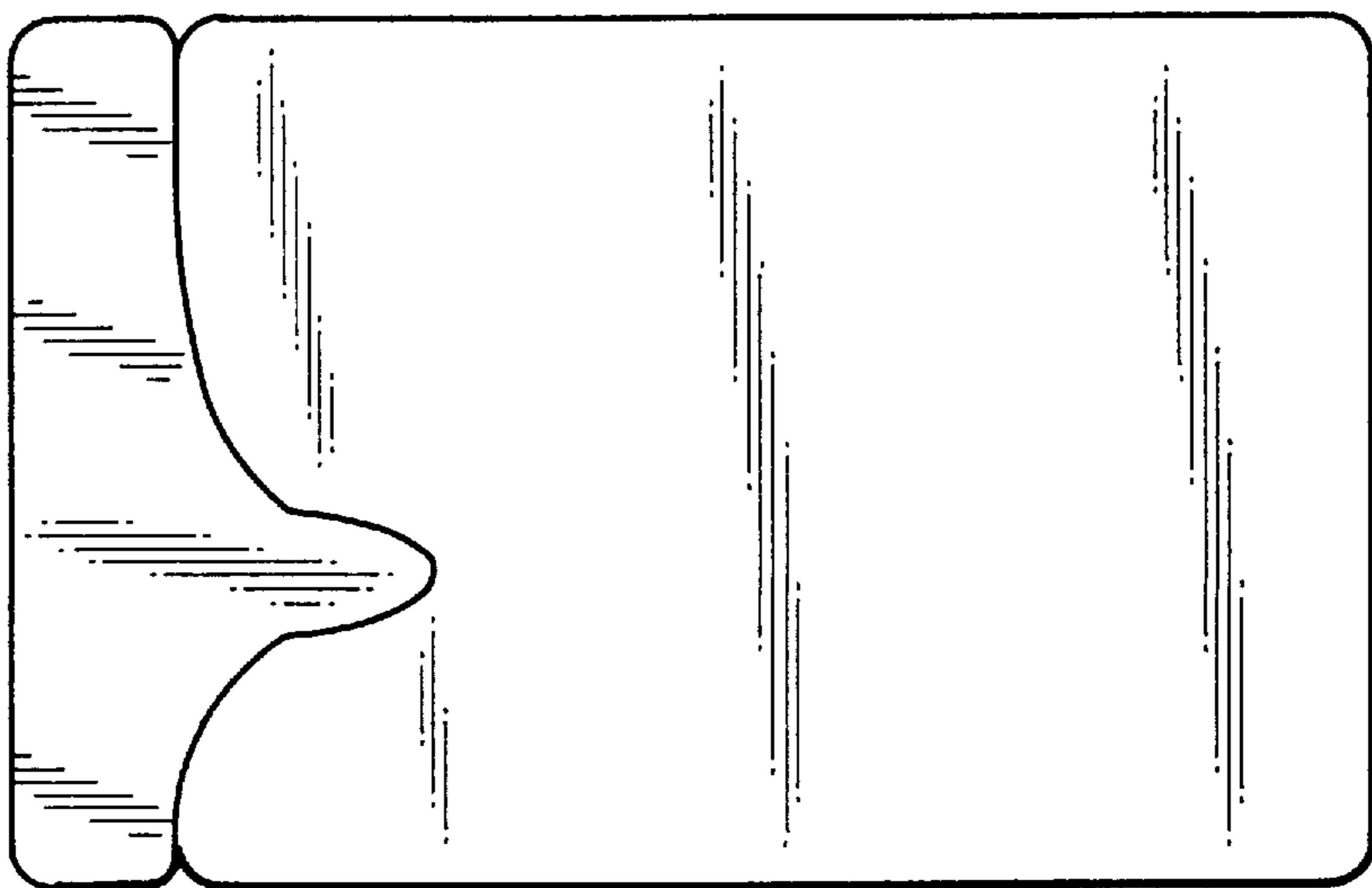


FIG. 6