



US00D434620S

# United States Patent [19] Martin

[11] **Patent Number: Des. 434,620**

[45] **Date of Patent: \*\* Dec. 5, 2000**

[54] **HOUSING FOR A HEDGE TRIMMER**

[75] Inventor: **David J. Martin**, Eden Prairie, Minn.

[73] Assignee: **The Toro Company**, Bloomington, Minn.

[\*\*] Term: **14 Years**

[21] Appl. No.: **29/106,921**

[22] Filed: **Jun. 23, 1999**

[51] **LOC (7) Cl. .... 08-01**

[52] **U.S. Cl. .... D8/8**

[58] **Field of Search .... D8/1, 6-9; 30/276, 30/228; 56/12.7**

[56] **References Cited**

**U.S. PATENT DOCUMENTS**

D. 313,538	1/1991	Fushiya et al. ....	D8/8
D. 351,096	10/1994	Gierke .....	D8/8
D. 354,891	1/1995	McJunkin et al. ....	D8/8
D. 364,326	11/1995	Lohse et al. ....	D8/65
D. 364,541	11/1995	McJunkin et al. ....	D8/8
D. 365,256	12/1995	Griffin et al. ....	D8/8
D. 382,451	8/1997	Kikuchi .....	D8/8
D. 385,766	11/1997	Kondo et al. ....	D8/65
D. 388,291	12/1997	Gildersleeve .....	D8/8

D. 389,707	1/1998	Ohi et al. ....	D8/8
5,150,523	9/1992	McCurry .....	30/228
5,398,414	3/1995	Neubert et al. ....	30/124
5,653,030	8/1997	Yokoyama et al. ....	30/216
5,685,080	11/1997	Amano et al. ....	30/383

*Primary Examiner*—Robin V. Taylor  
*Attorney, Agent, or Firm*—Muetting, Raasch & Gebhardt, P.A.

[57] **CLAIM**

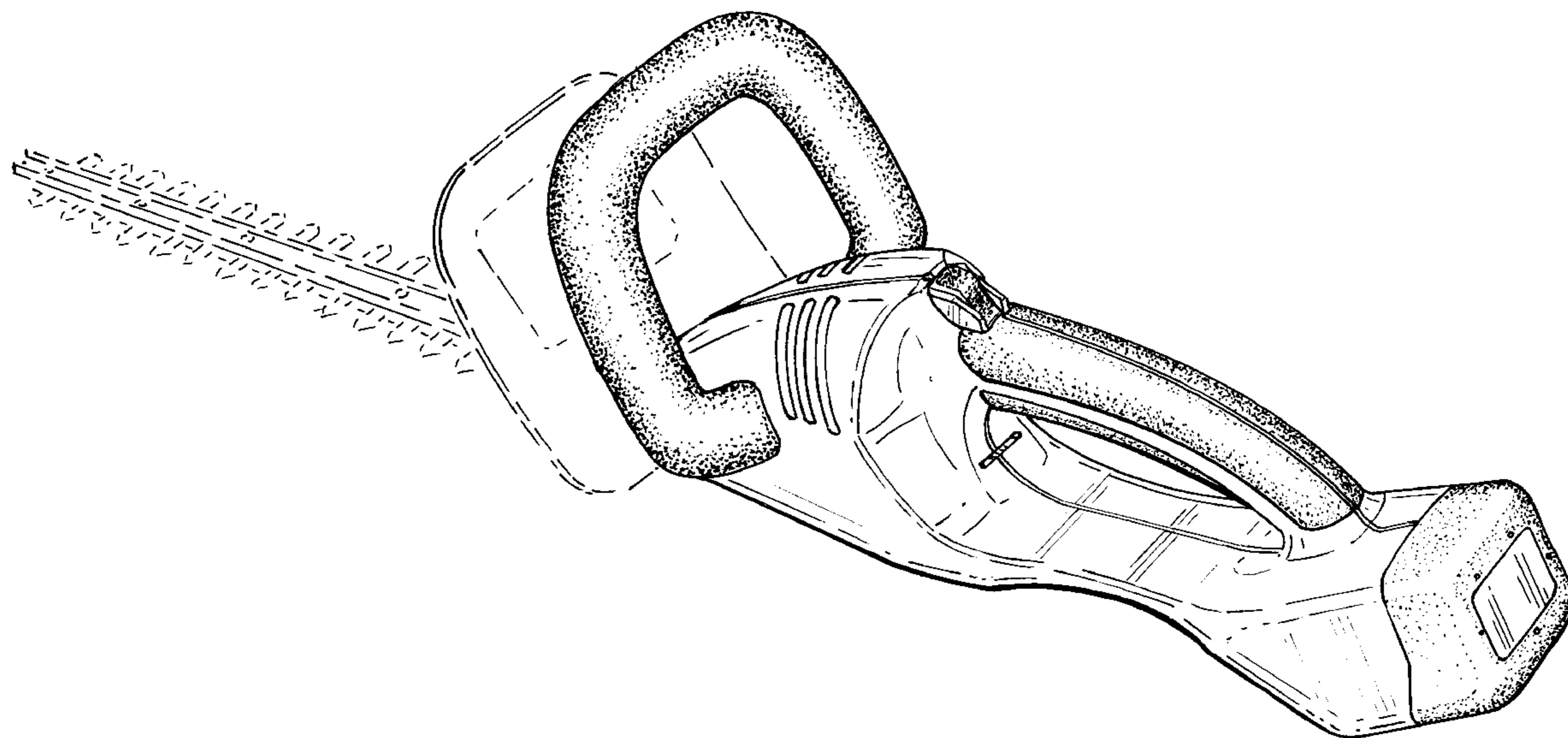
The ornamental design for a housing for a hedge trimmer, as shown and described.

**DESCRIPTION**

FIG. 1 is a left rear perspective view of a housing for hedge trimmer according to the present invention; FIG. 2 is a left side elevation view thereof; FIG. 3 is a front elevation view thereof; FIG. 4 is a rear elevation view thereof; FIG. 5 is a right side elevation view thereof; FIG. 6 is a top plan view thereof; and, FIG. 7 is a bottom plan view thereof.

The broken line showing of a cutter and a debris shield are for illustrative purposes only and form no part of the claimed design.

**1 Claim, 6 Drawing Sheets**



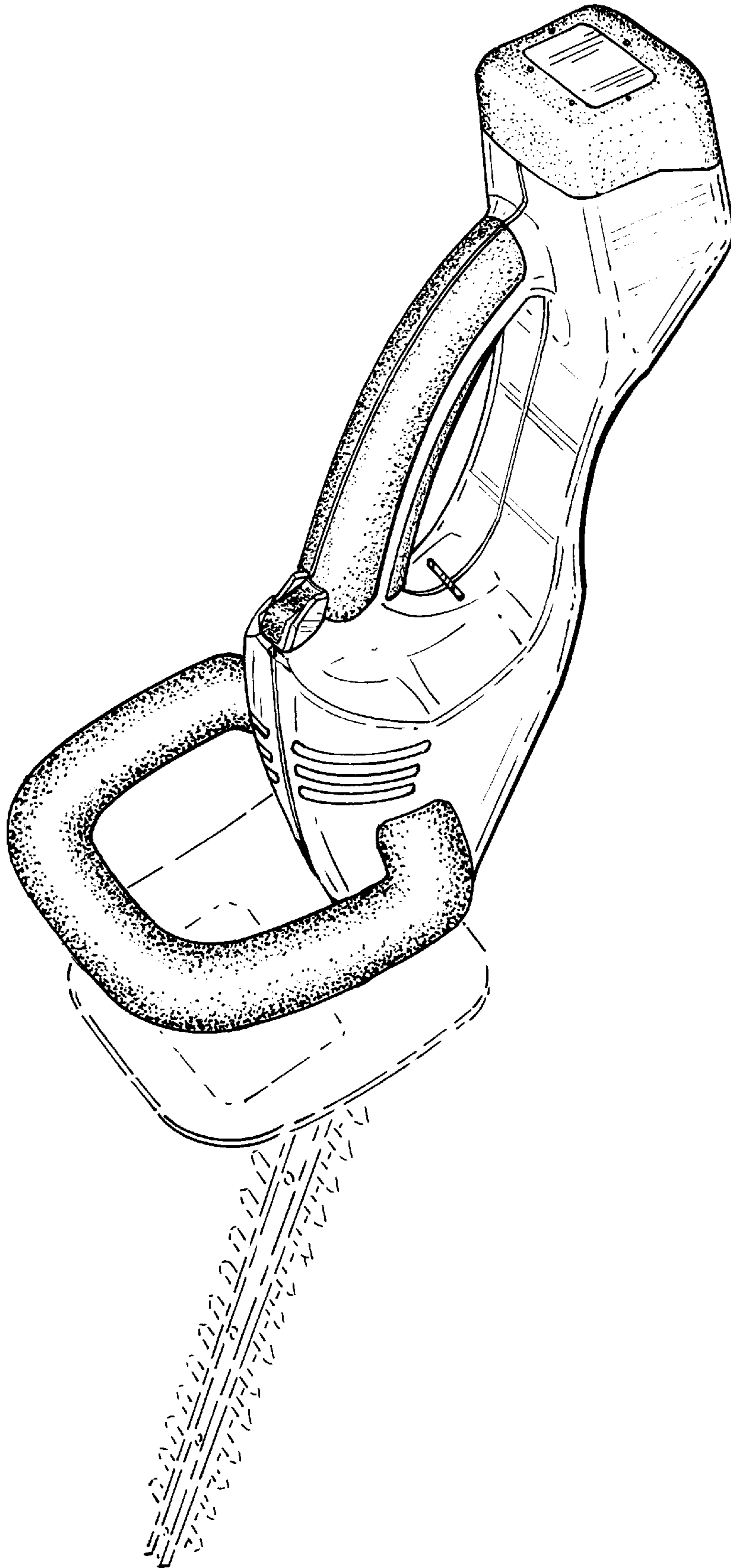


FIG. 1

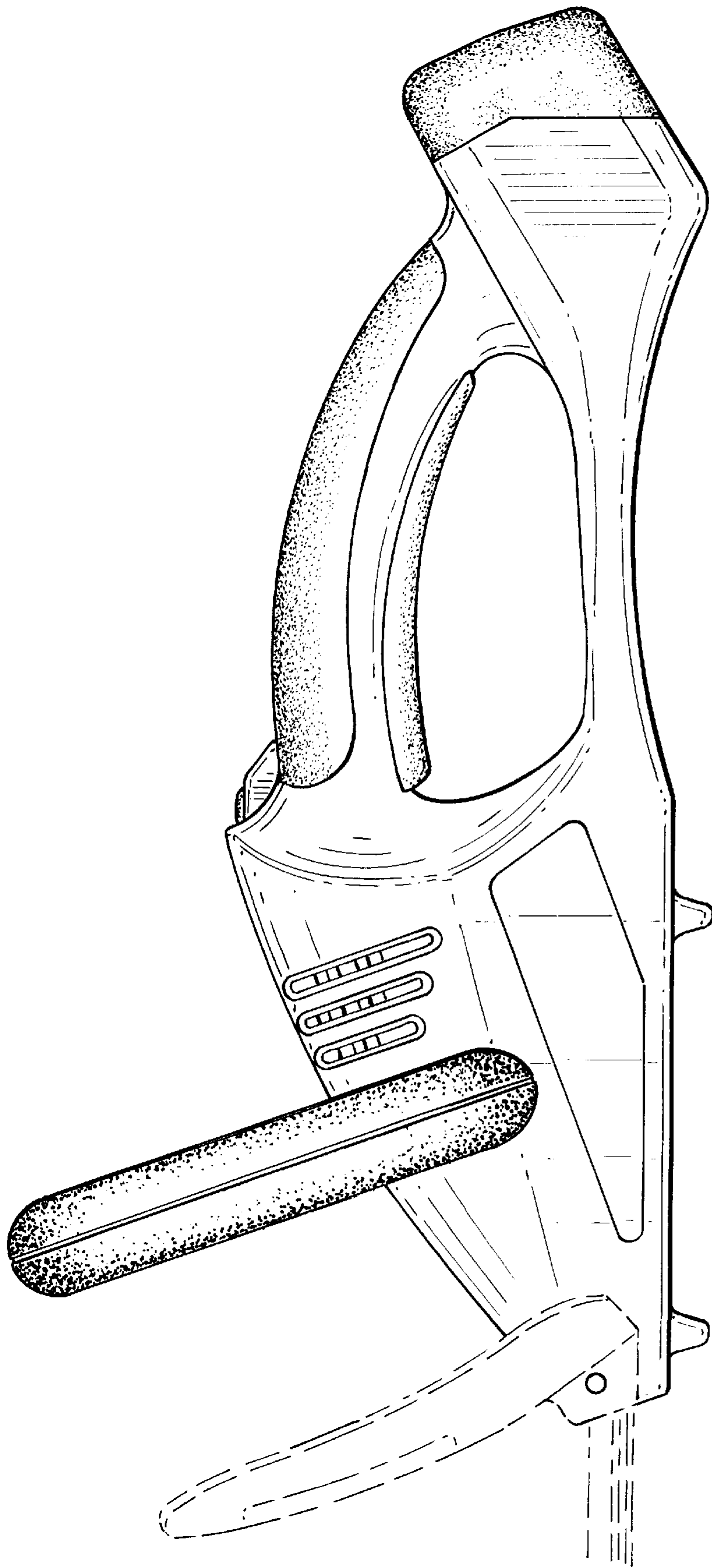


FIG. 2

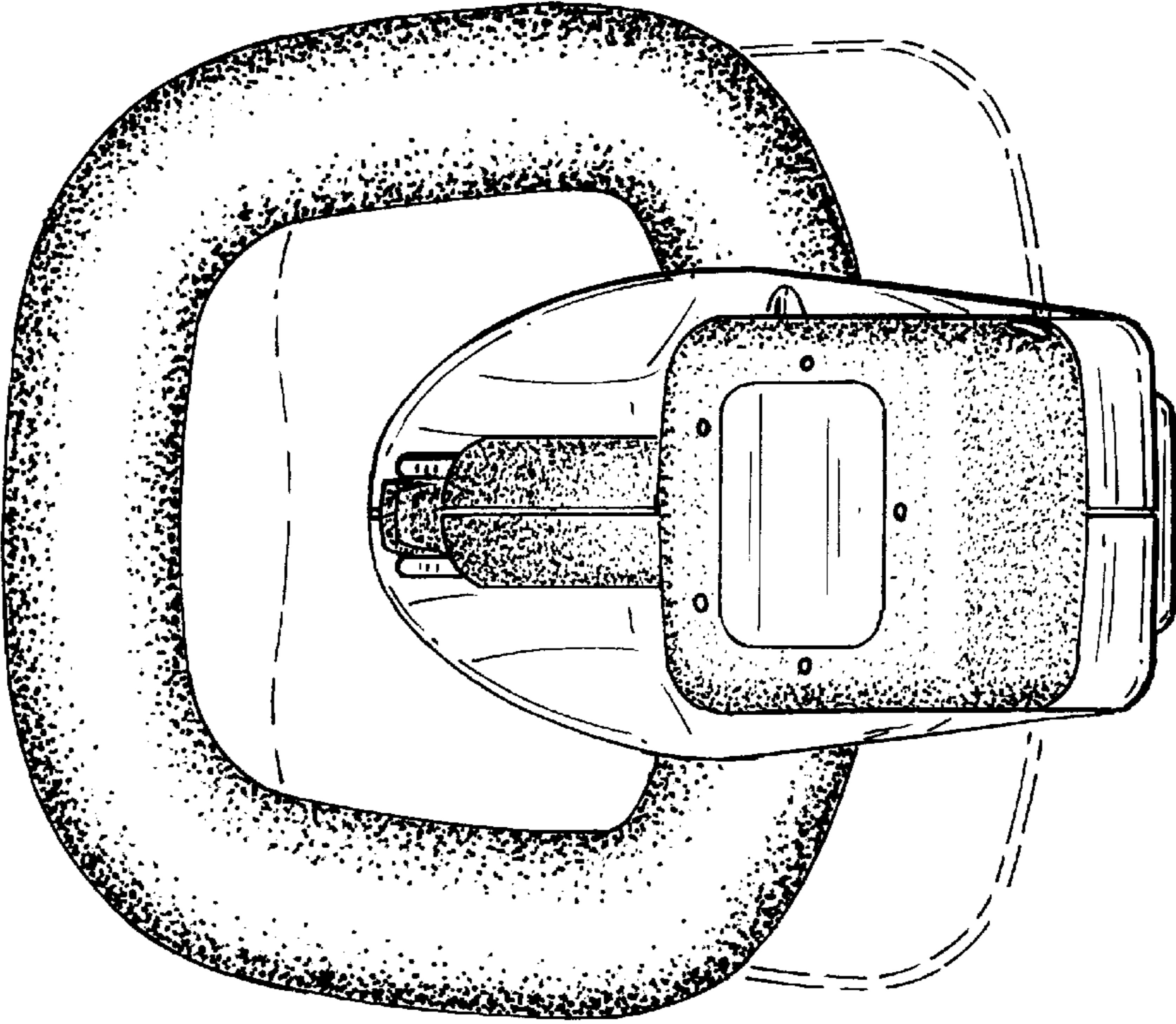


FIG. 4

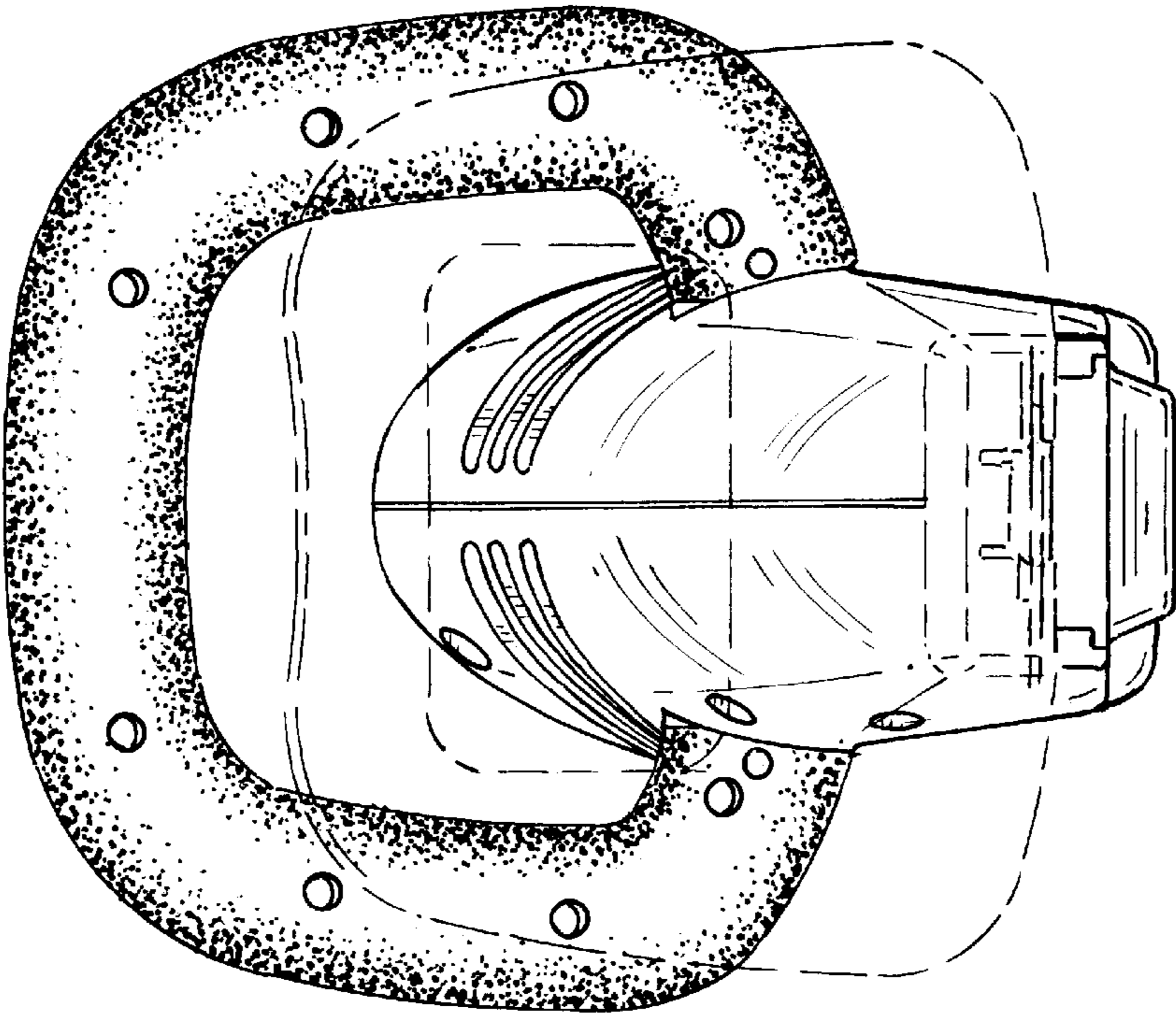


FIG. 5

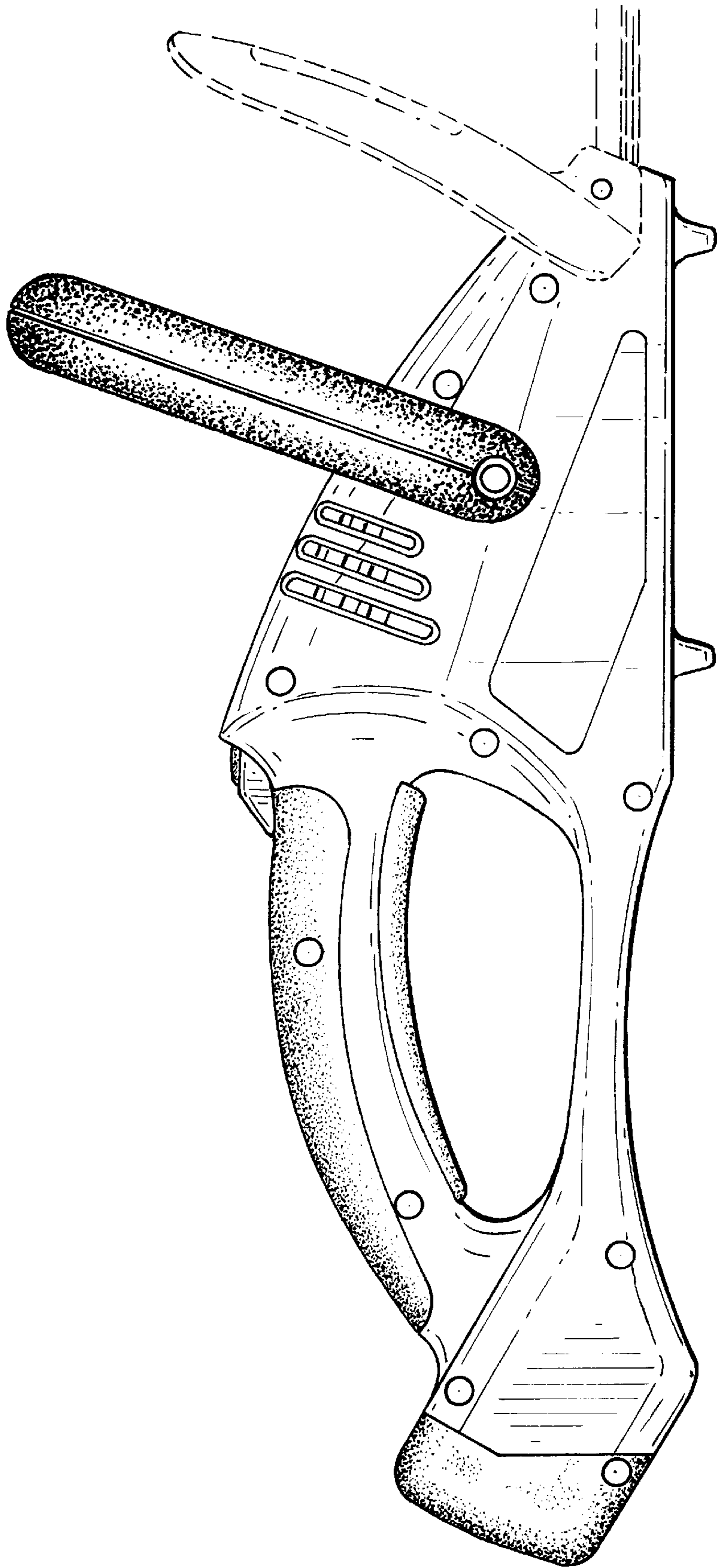


FIG. 5

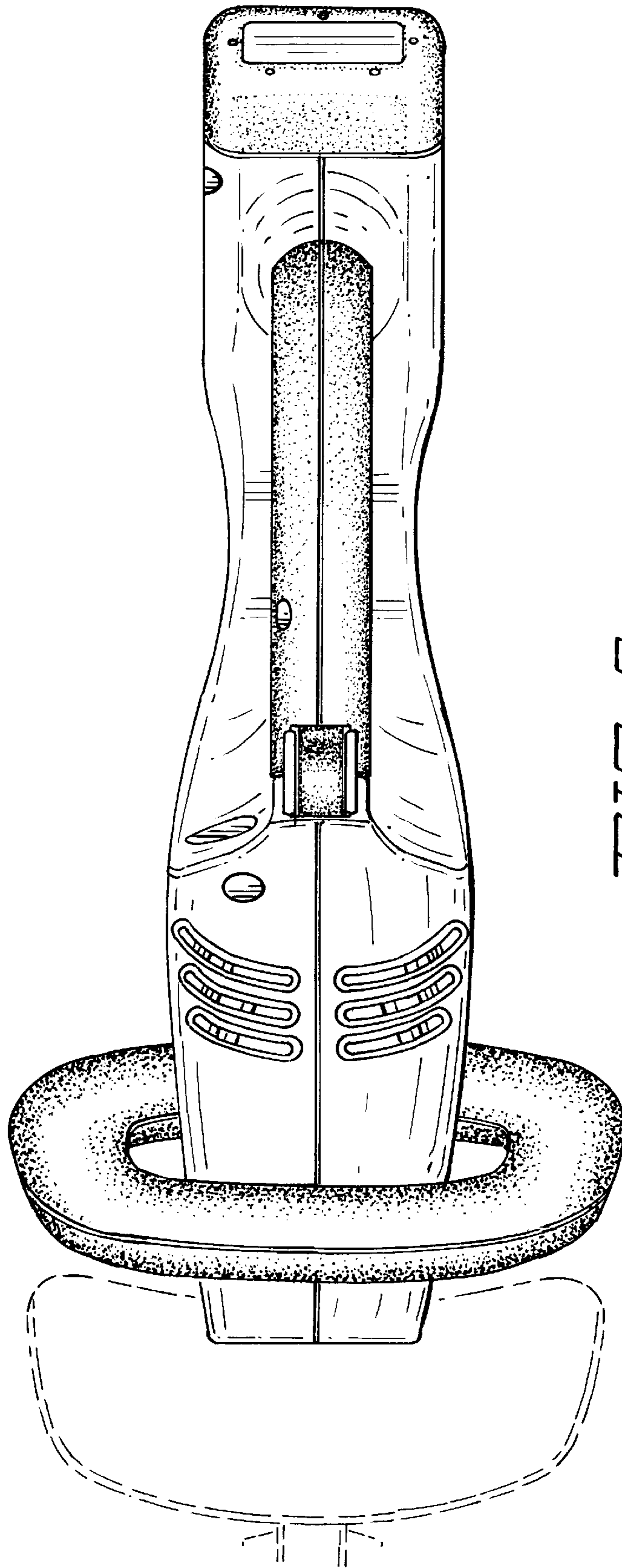


FIG. 6

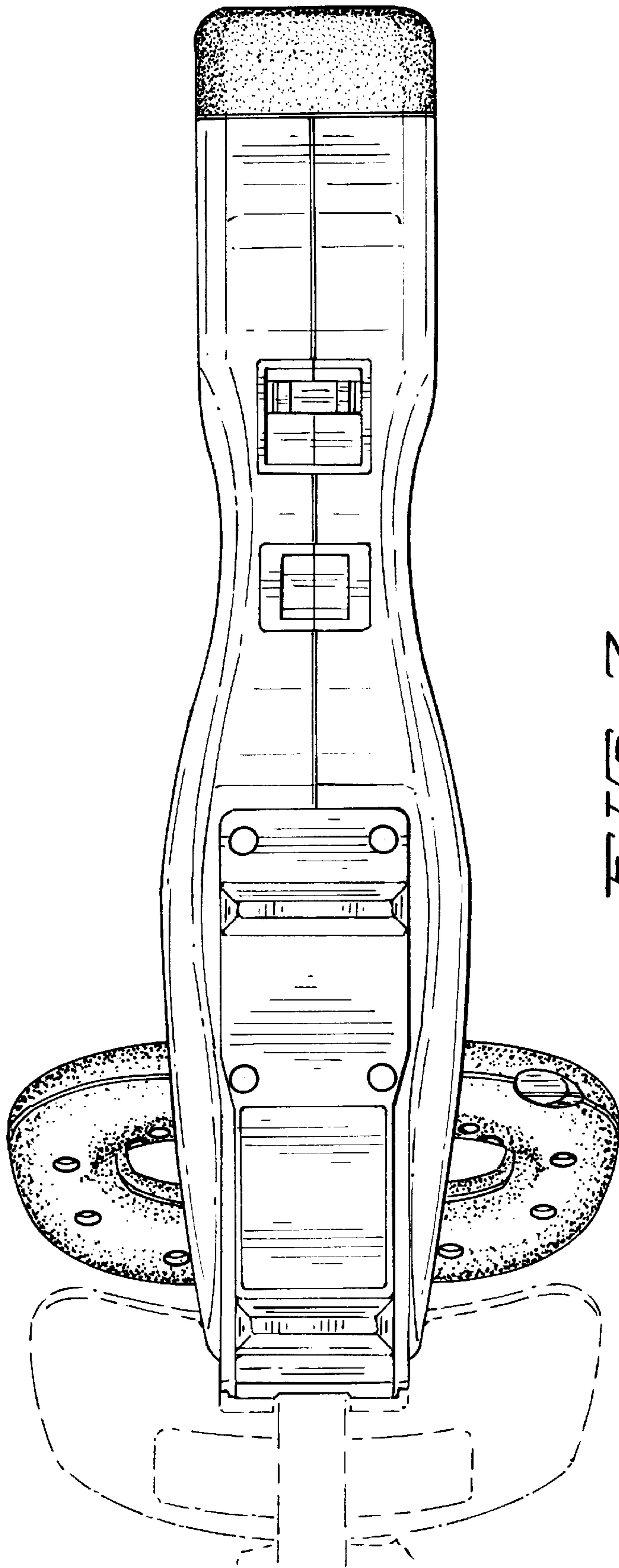


FIG. 7