



US00D434617S

United States Patent [19]

Kontou et al.

[11] **Patent Number: Des. 434,617**

[45] **Date of Patent: ** Dec. 5, 2000**

[54] **FOOD UTENSIL**

4,569,130	2/1986	Koller et al.	294/7 X
4,877,609	10/1989	Beck et al.	294/7 X
5,165,171	11/1992	MacLean	30/114

[75] Inventors: **Andrew Michael Kontou**, Netley;
Peter James Ballaben, North Plympton, both of Australia

[73] Assignee: **Medusa International Pty Ltd.**, Marleston, Australia

[**] Term: **14 Years**

Primary Examiner—Terry A. Wallace
Attorney, Agent, or Firm—Nims, Howes, Collison, Hansen & Lackert

[21] Appl. No.: **29/102,421**

[22] Filed: **Mar. 25, 1999**

[30] **Foreign Application Priority Data**

Sep. 28, 1998 [AU] Australia 3035/98

[51] **LOC (7) Cl.** **07-04**

[52] **U.S. Cl.** **D7/688; D7/686**

[58] **Field of Search** D7/686, 688; 30/114;
294/7, 8, 99.2, 118, 119

[57] **CLAIM**

The ornamental design for a food utensil, as shown and described.

DESCRIPTION

FIG. 1 is a perspective view of a food utensil, showing our new design;

FIG. 2 is a top view;

FIG. 3 is a bottom view;

FIG. 4 is a side view; and,

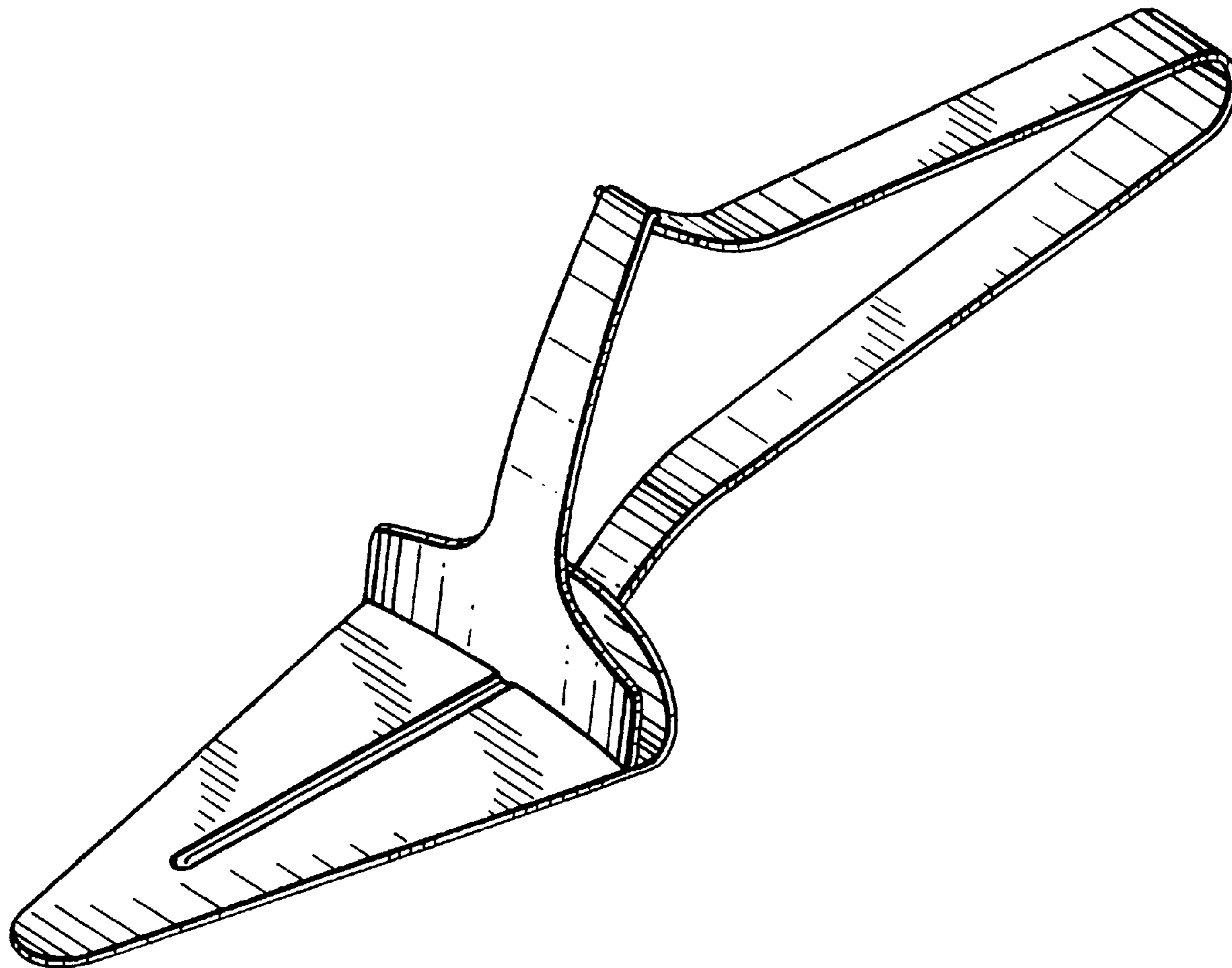
FIG. 5 is a front view.

[56] **References Cited**

U.S. PATENT DOCUMENTS

D. 303,902 10/1989 Gecchelin D7/688

1 Claim, 2 Drawing Sheets



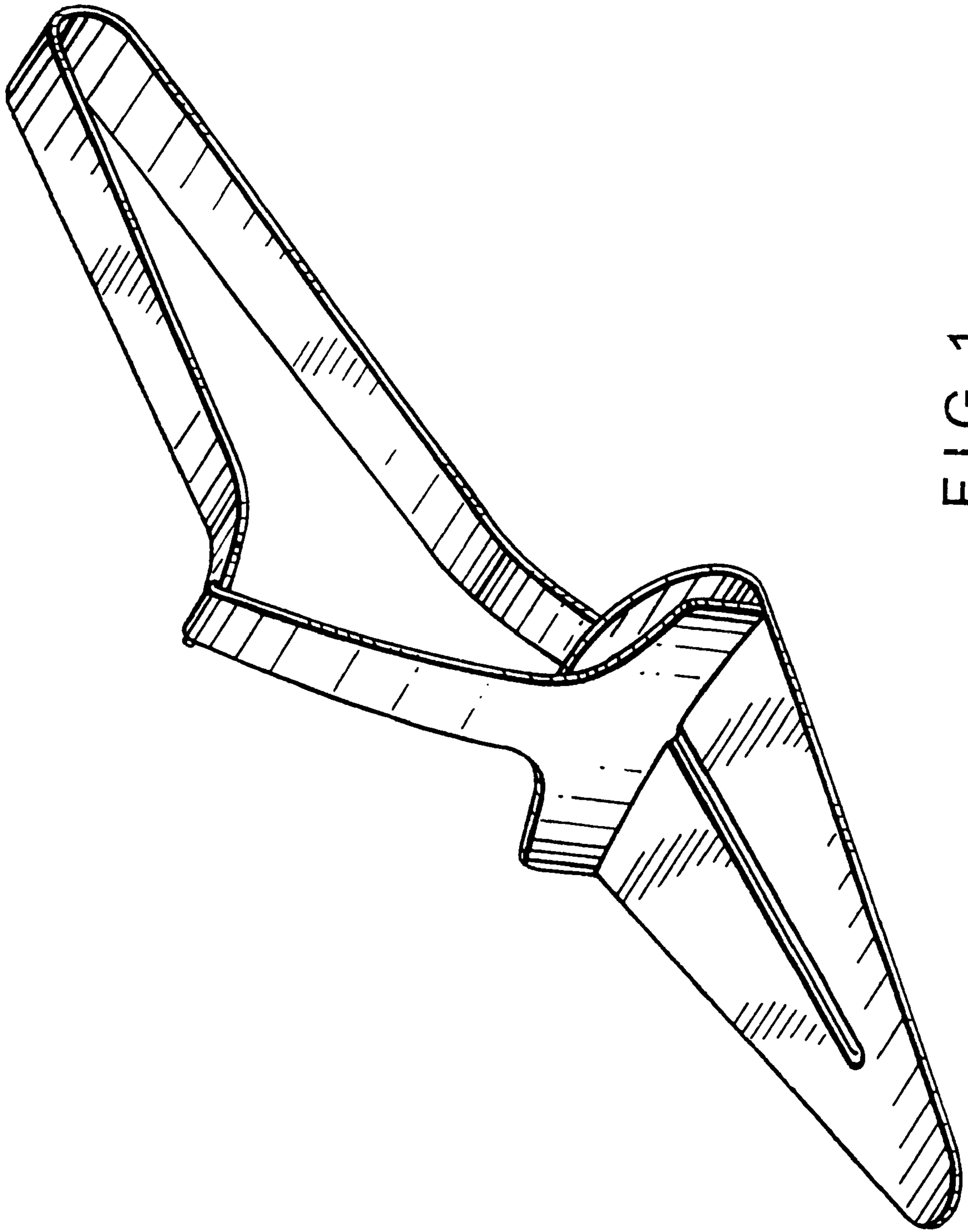


FIG. 1

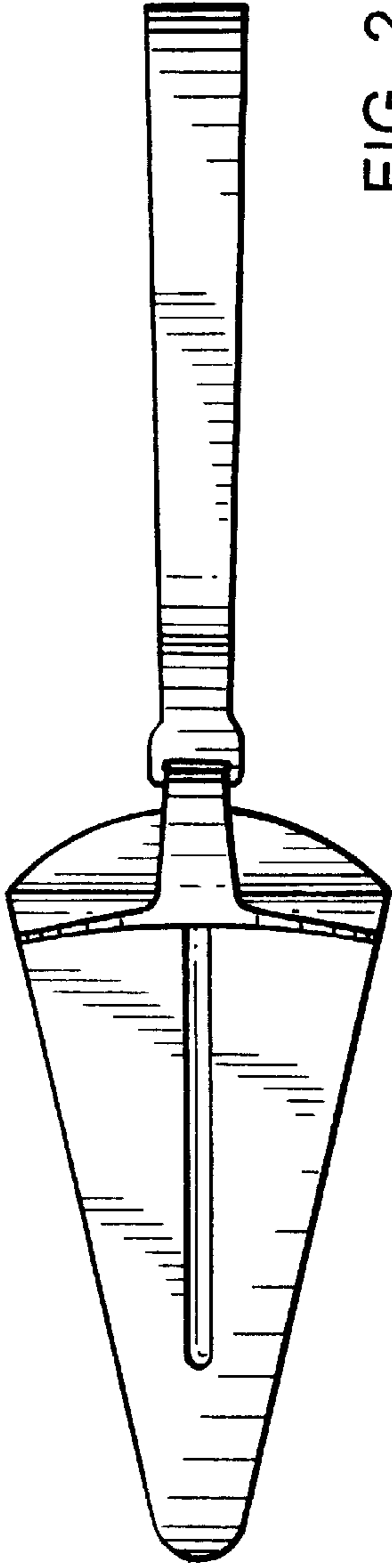


FIG. 2

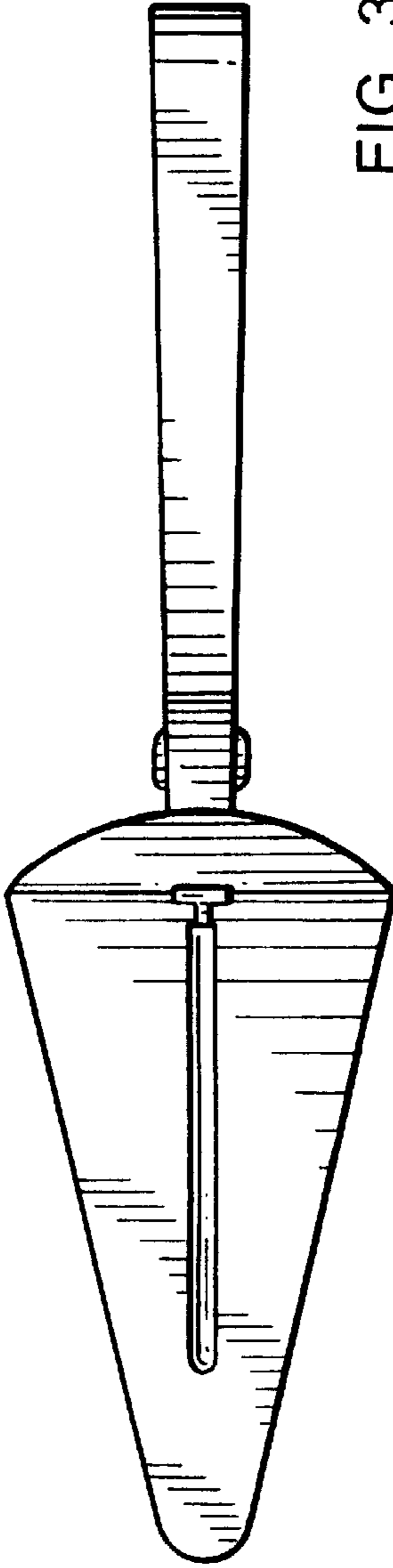


FIG. 3

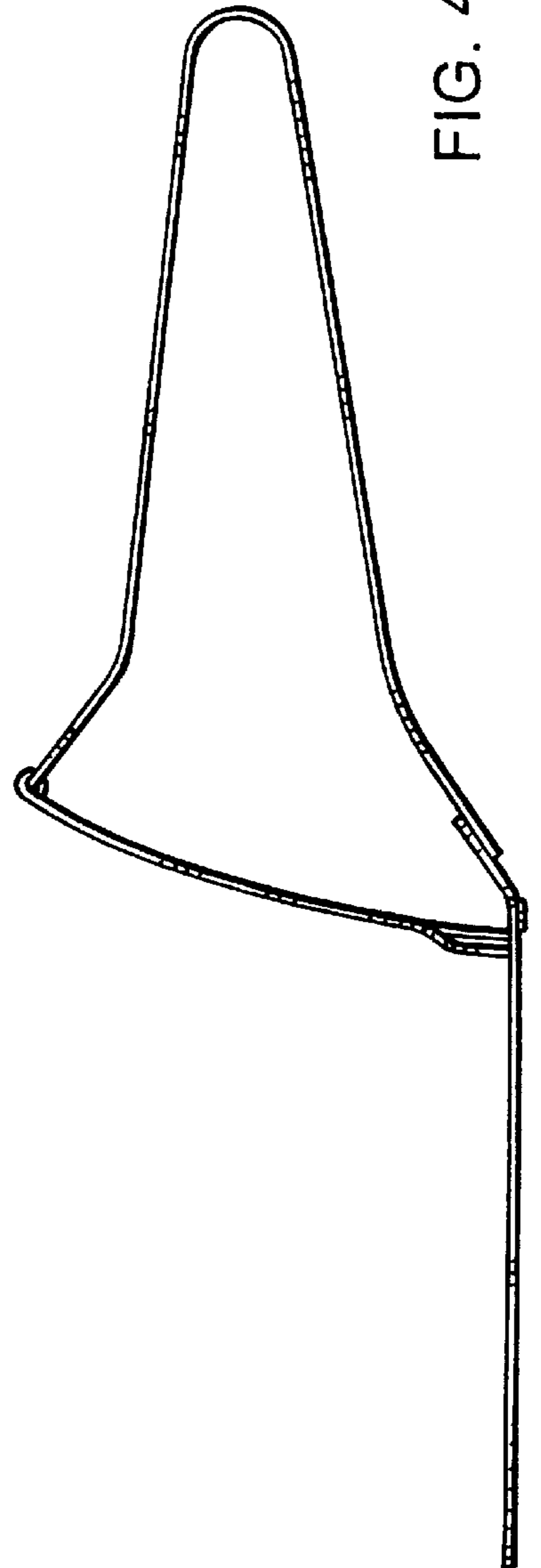


FIG. 4

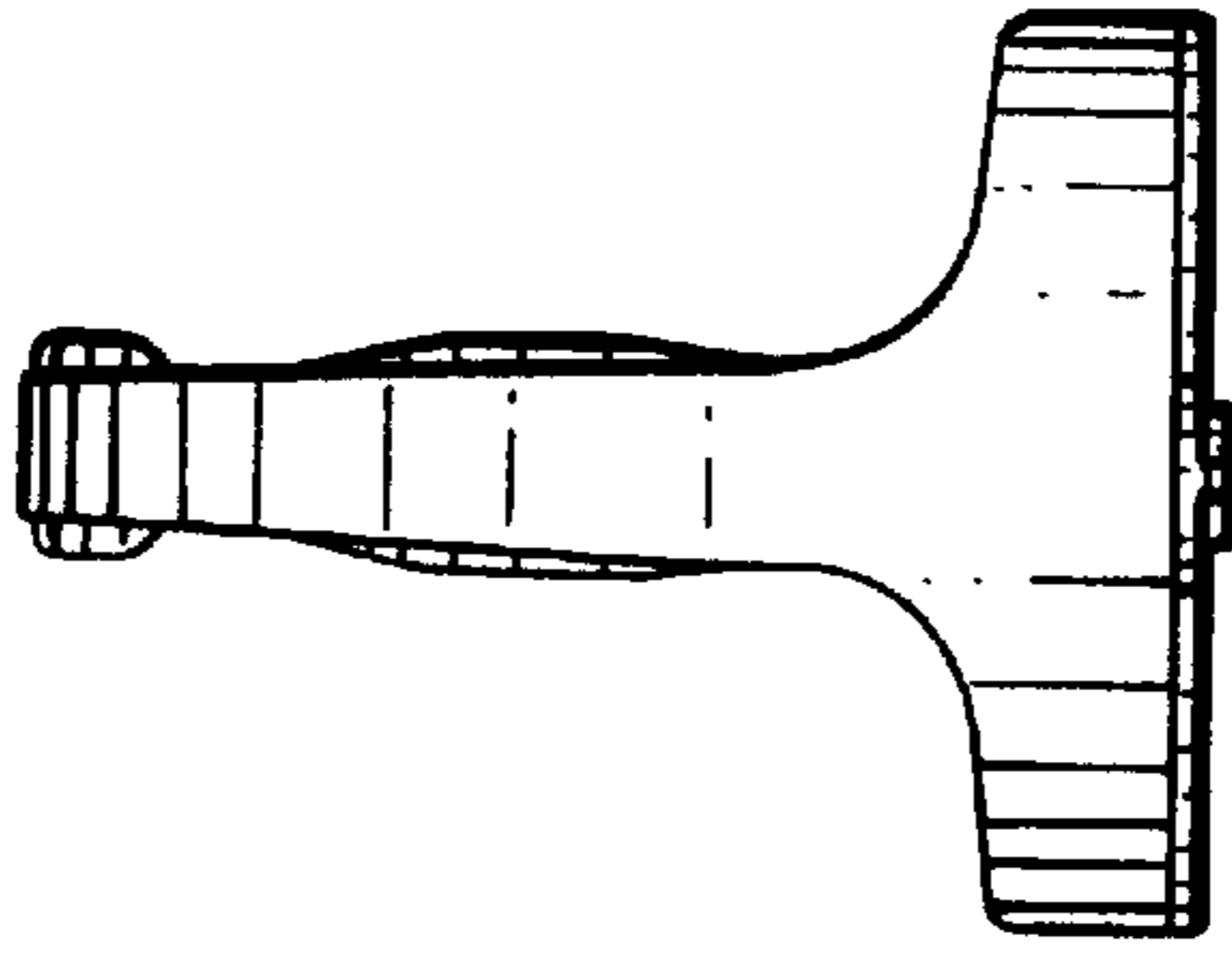


FIG. 5