



US00D434615S

United States Patent [19]
Chien

[11] **Patent Number: Des. 434,615**

[45] **Date of Patent: ** Dec. 5, 2000**

[54] **TOOL STAND**

[76] Inventor: **Yu-Chang Chien**, 212-1 Tsao-His Road, Tsao-Twen Town, Nan-Tou Hsiang, Taiwan

[**] Term: **14 Years**

[21] Appl. No.: **29/105,894**

[22] Filed: **Jun. 2, 1999**

[51] **LOC (7) Cl.** **07-02**

[52] **U.S. Cl.** **D7/637; D8/71**

[58] **Field of Search** D8/71, 72; D7/637; D3/313, 315, 304, 905; 206/379; 211/70.6, 70.7

[56] **References Cited**

U.S. PATENT DOCUMENTS

D. 267,142	12/1982	Pollard	D7/637
D. 338,376	8/1993	Ulber	D7/637
D. 382,773	8/1997	Cohen et al.	D7/637
D. 382,774	8/1997	Cohen et al.	D7/637
5,361,915	11/1994	Cohen et al.	211/70.7
5,775,518	7/1998	Conner	211/70.7

OTHER PUBLICATIONS

Service Merchandise Catalog, pp. 244 and 245, Knife Racks, 1997.

Primary Examiner—Philip S. Hyder
Attorney, Agent, or Firm—Bacon & Thomas PLLC

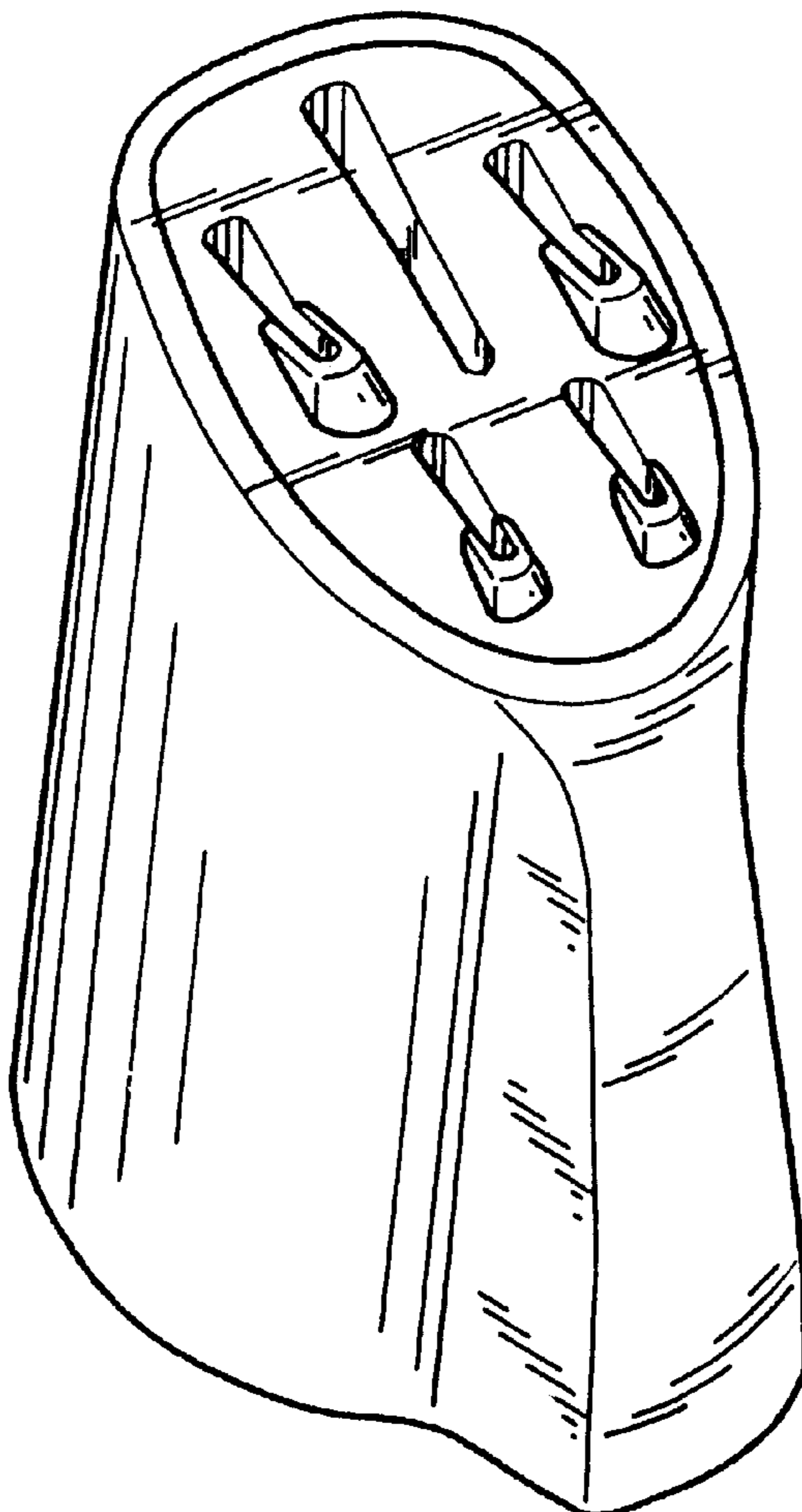
[57] **CLAIM**

The ornamental design for a tool stand, as shown and described.

DESCRIPTION

FIG. 1. is a front elevational view of a tool stand showing my new design;
FIG. 2. is a rear elevational view thereof;
FIG. 3. is a left side elevational view thereof;
FIG. 4. is a right side elevational view thereof;
FIG. 5. is a top plan view thereof;
FIG. 6. is a bottom plan view thereof;
FIG. 7. is a perspective view thereof; and,
FIG. 8. is a perspective view thereof, wherein the broken line disclosure is for illustrative purposes only and forms no part of the claimed design.

1 Claim, 5 Drawing Sheets



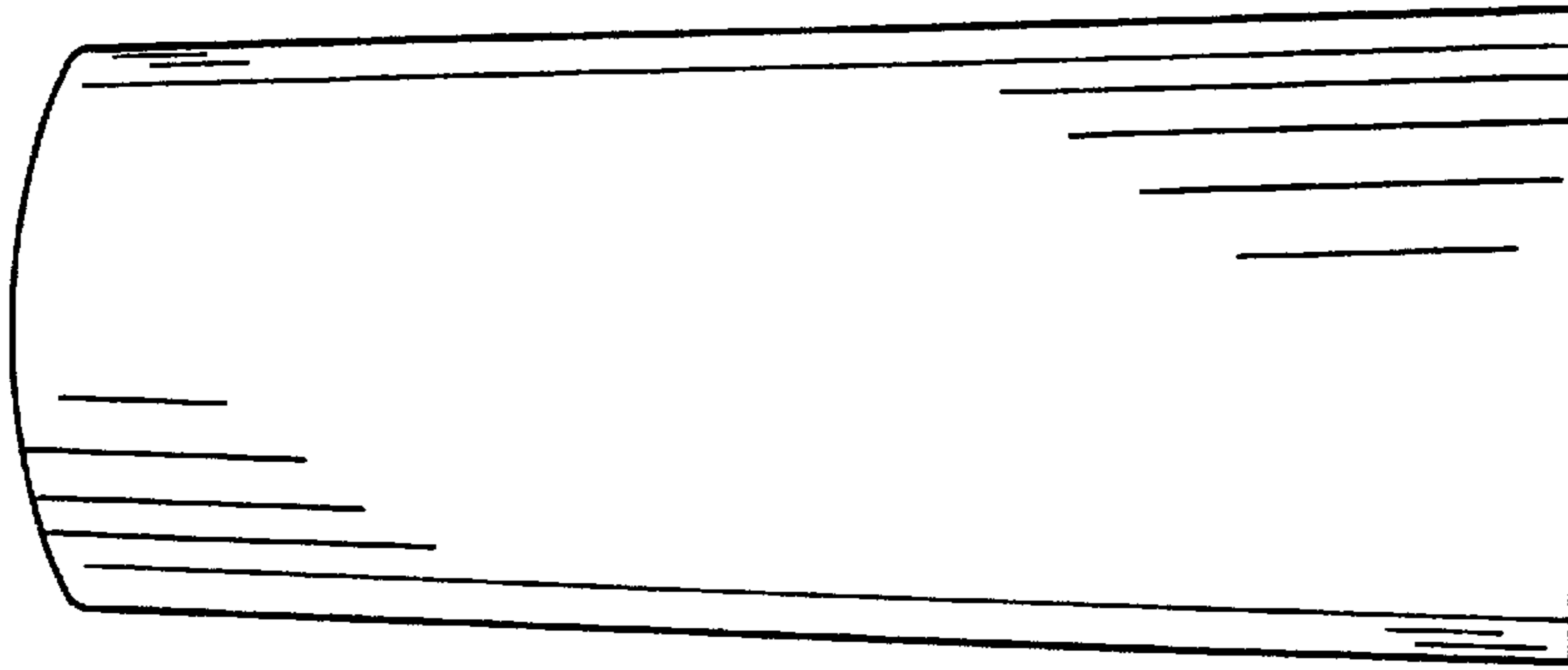


FIG. 2

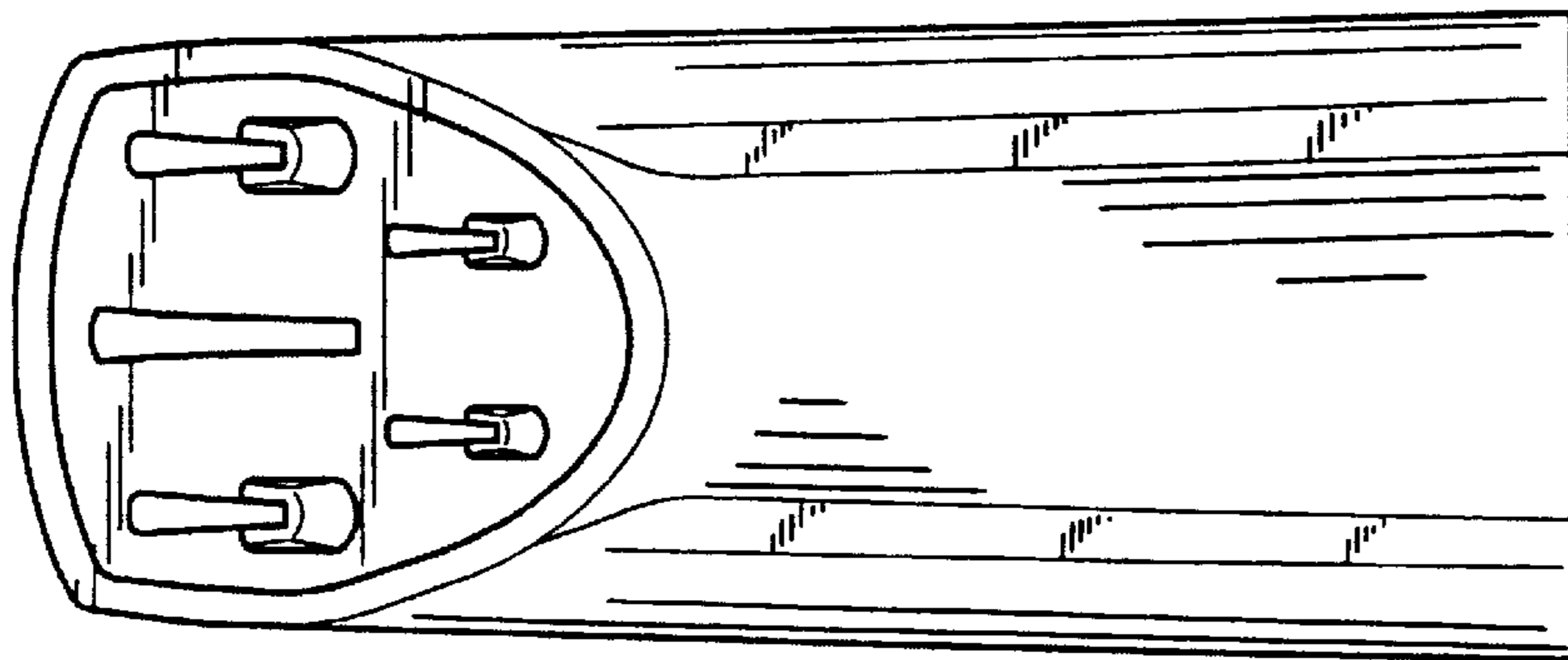


FIG. 1

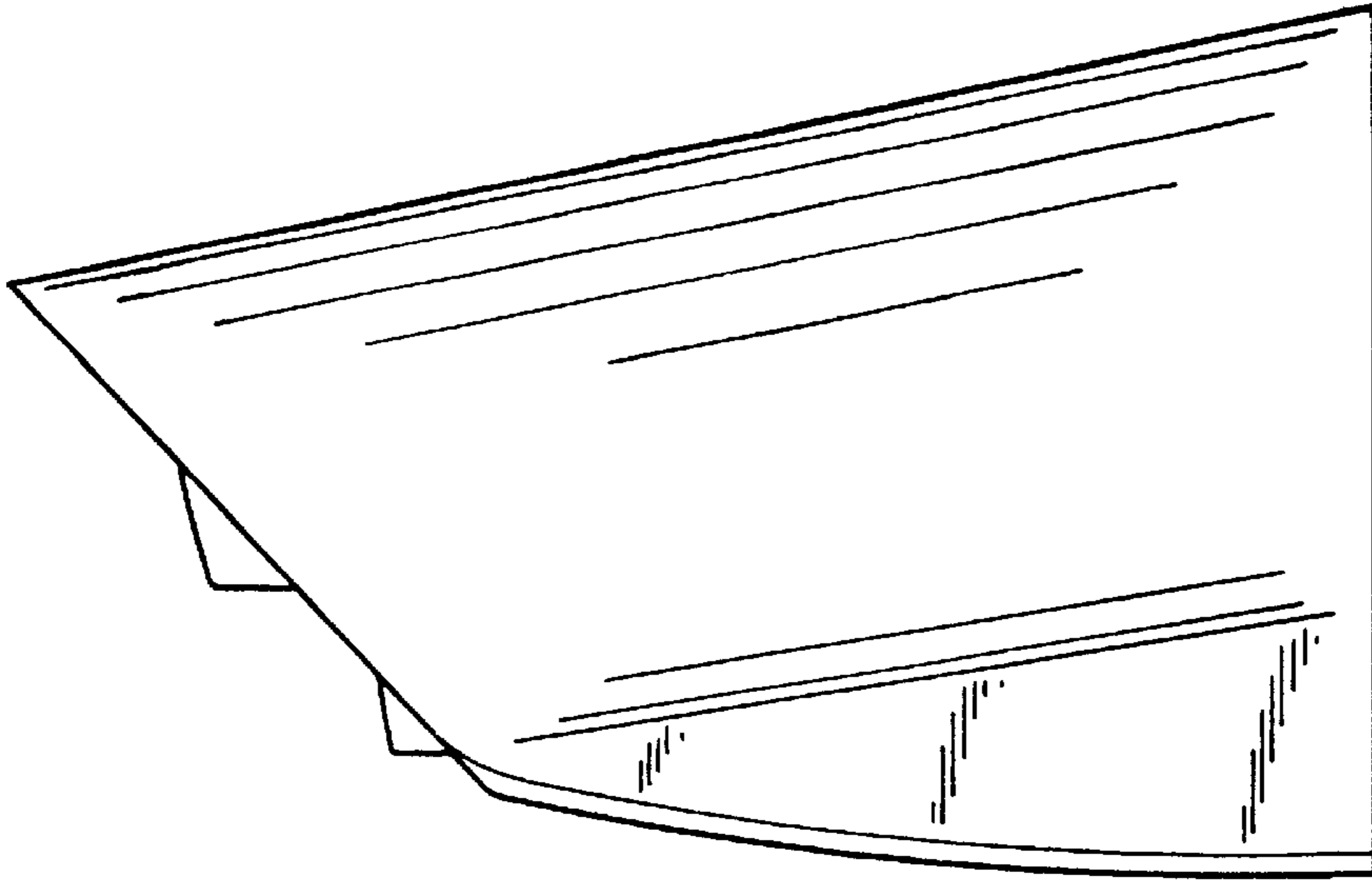


FIG. 4

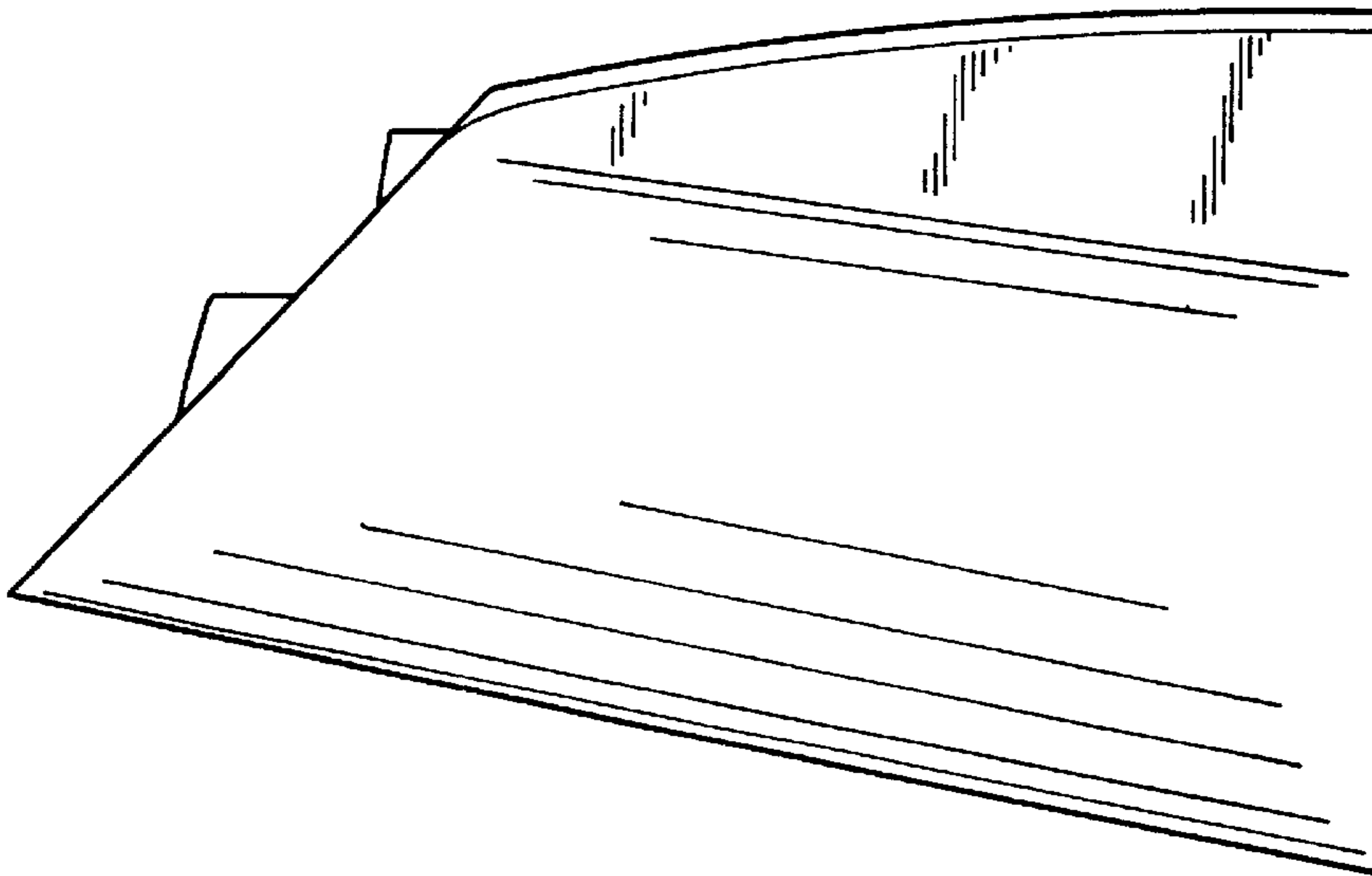


FIG. 3

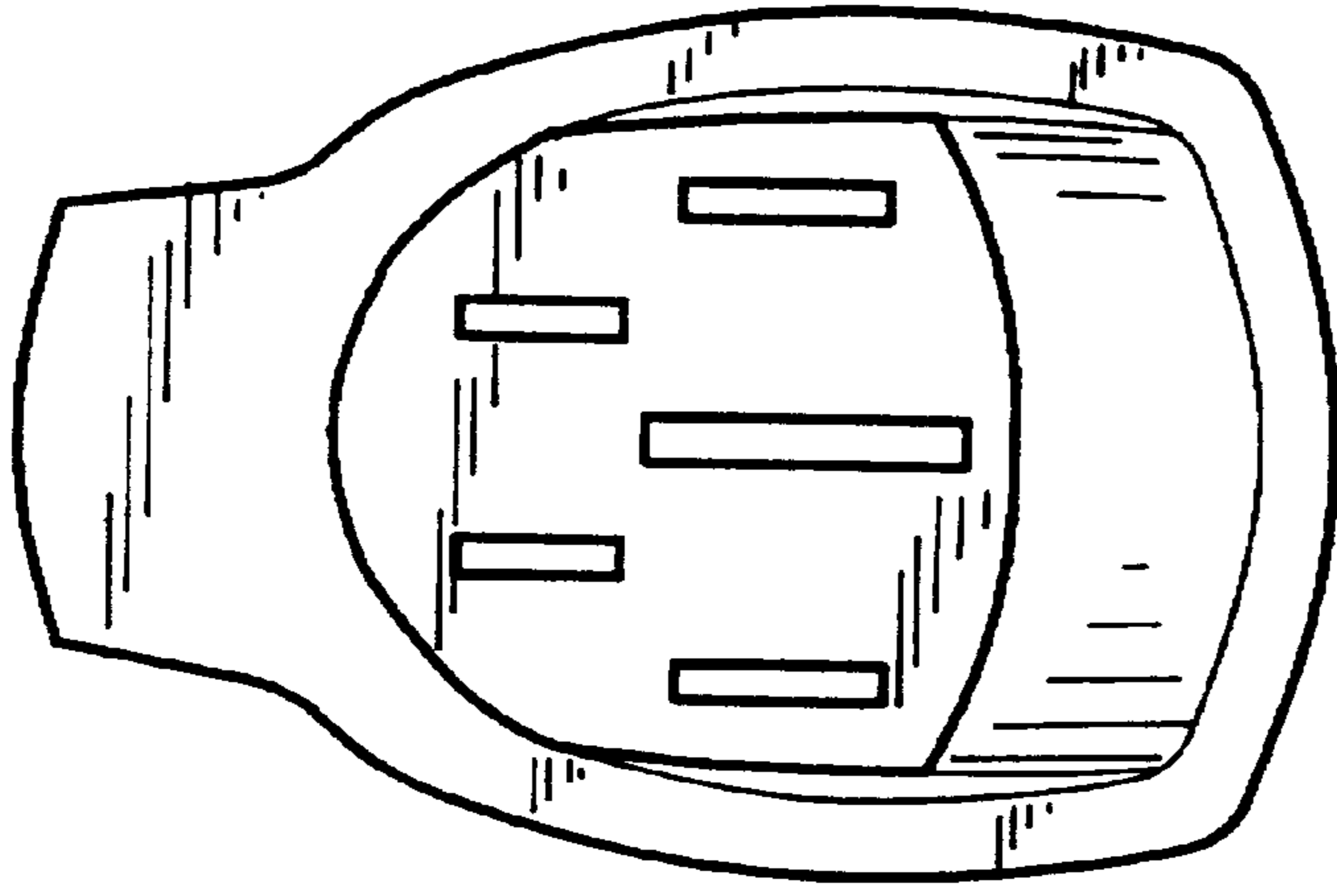


FIG. 6

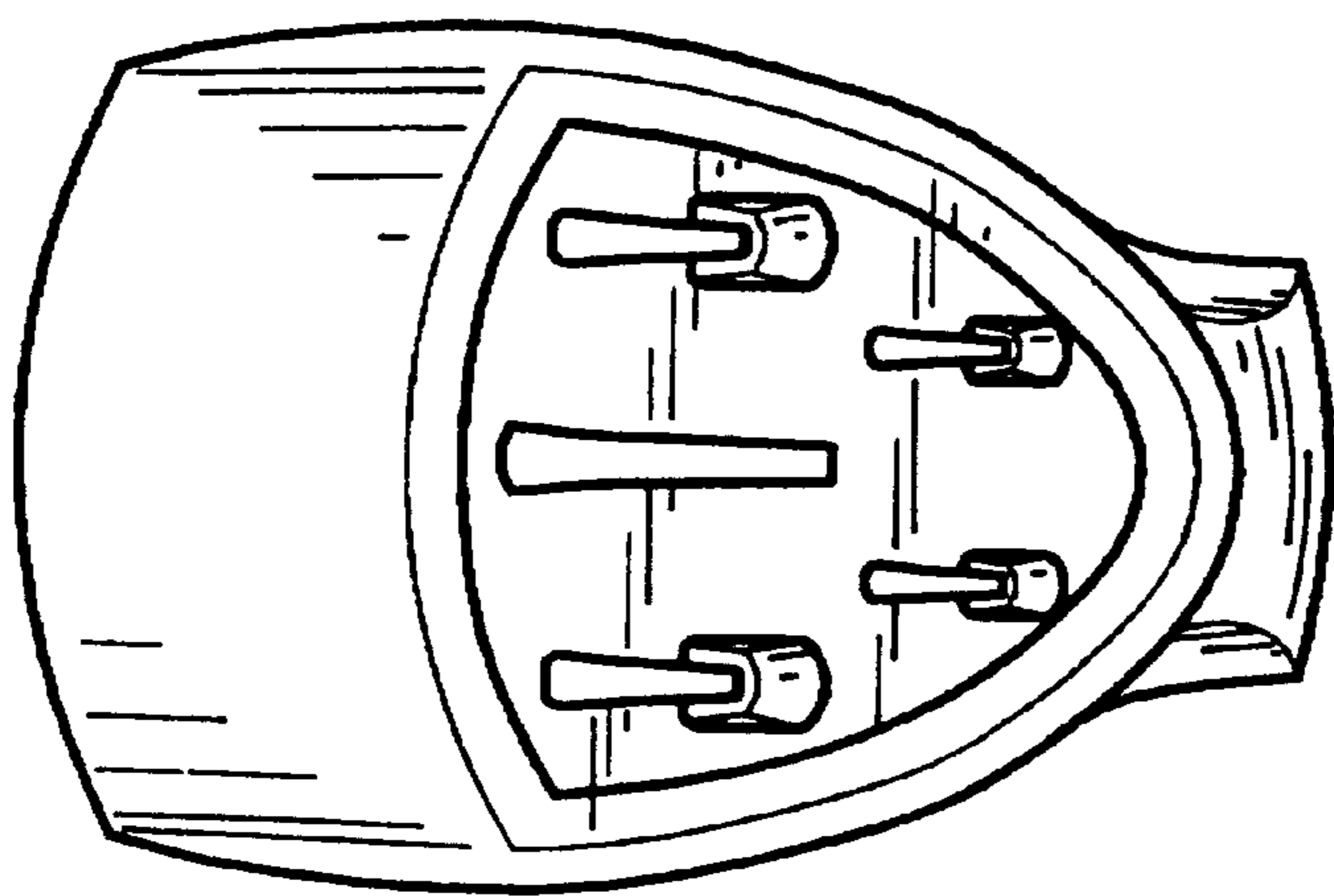


FIG. 5

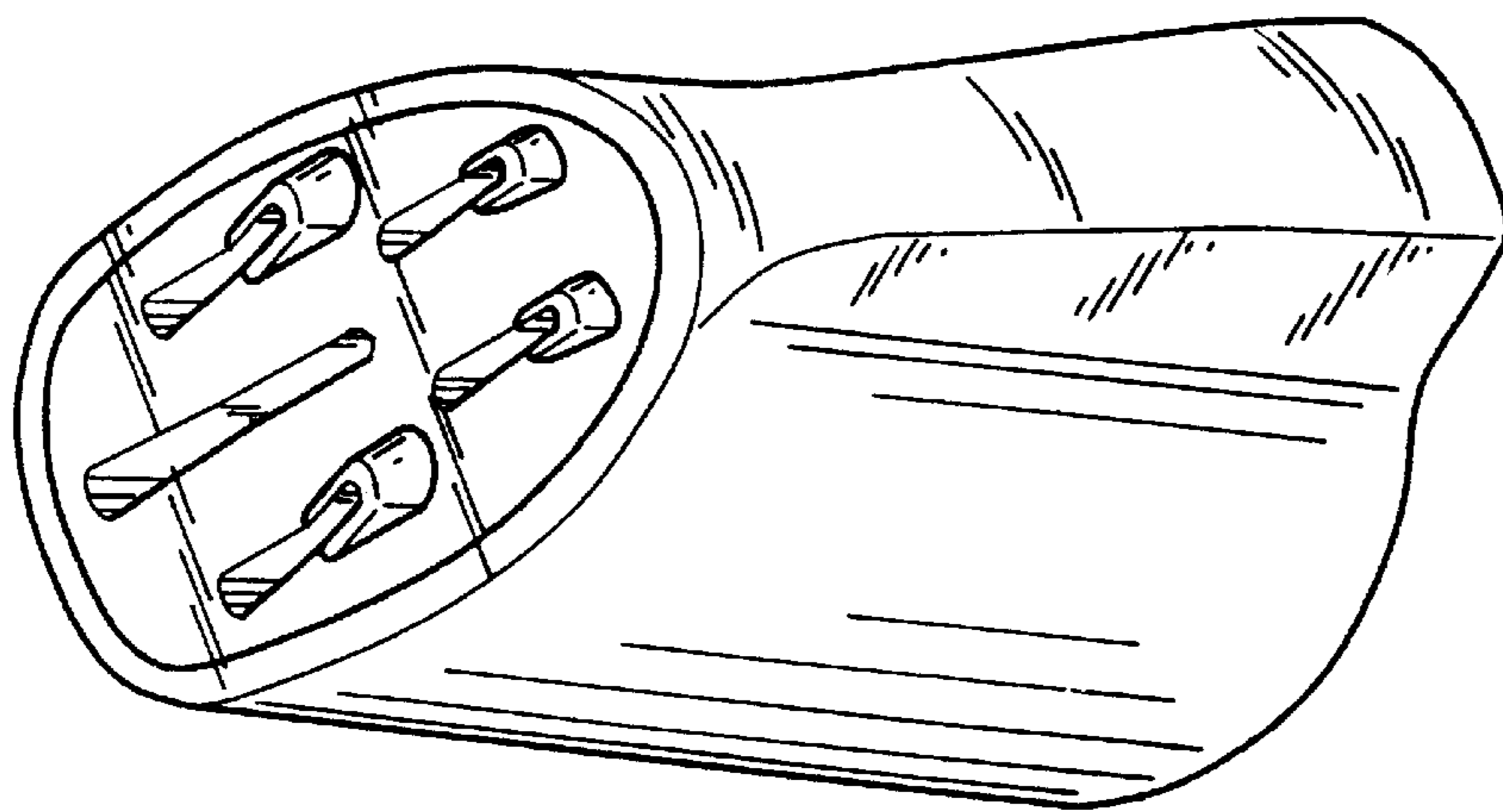


FIG. 7

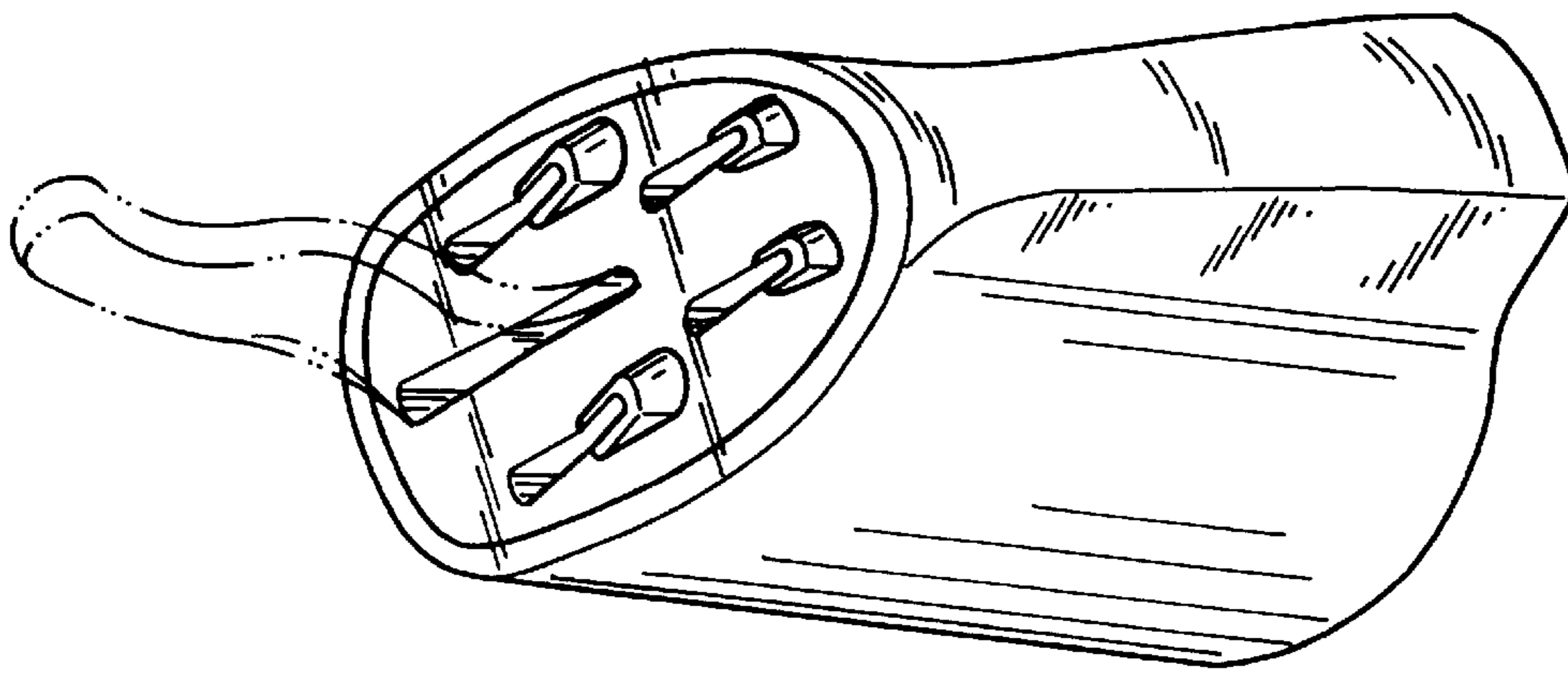


FIG. 8