



US00D434609S

United States Patent [19]

Yu

[11] Patent Number: **Des. 434,609**

[45] Date of Patent: **** Dec. 5, 2000**

[54] **INSULATED BEVERAGE AND FOOD COOLER BAG**

[75] Inventor: **Peter Yu**, Los Angeles, Calif.

[73] Assignee: **Travelers Club Luggage, Inc.**, Los Angeles, Calif.

[**] Term: **14 Years**

[21] Appl. No.: **29/117,845**

[22] Filed: **Jan. 31, 2000**

[51] **LOC (7) Cl.** **07-01**

[52] **U.S. Cl.** **D7/607**

[58] **Field of Search** D7/605, 607, 709; D3/232, 273, 276, 283, 287, 289, 301; 62/457.1, 457.7, 371, 372; 206/541, 545, 548, 549; 220/592.2, 592.24-592.27, 915.1, 915.2

[56] **References Cited**

U.S. PATENT DOCUMENTS

- D. 111,138 9/1938 Firlle .
- D. 202,635 10/1965 Rashkow .
- D. 234,181 1/1975 Haswell .

- D. 284,620 7/1986 Calton D7/605
- D. 288,653 3/1987 Crymes .
- D. 323,242 1/1992 Costello .
- D. 330,631 11/1992 Ledbetter .
- D. 351,533 10/1994 Lynam D7/605
- D. 366,812 2/1996 Collins et al. .
- D. 394,552 5/1998 Melk D3/287

Primary Examiner—Terry A. Wallace
Attorney, Agent, or Firm—David O'Reilly

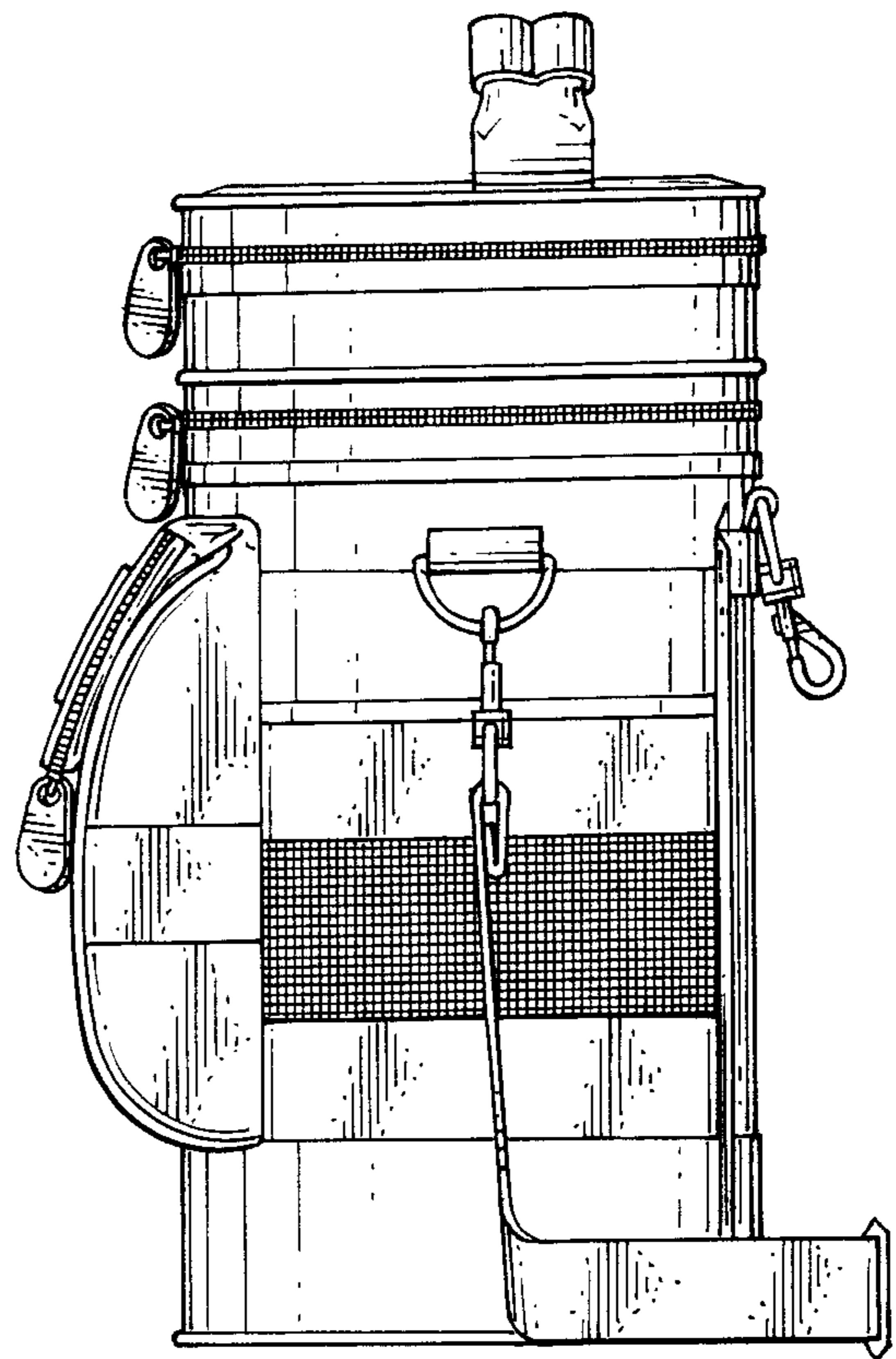
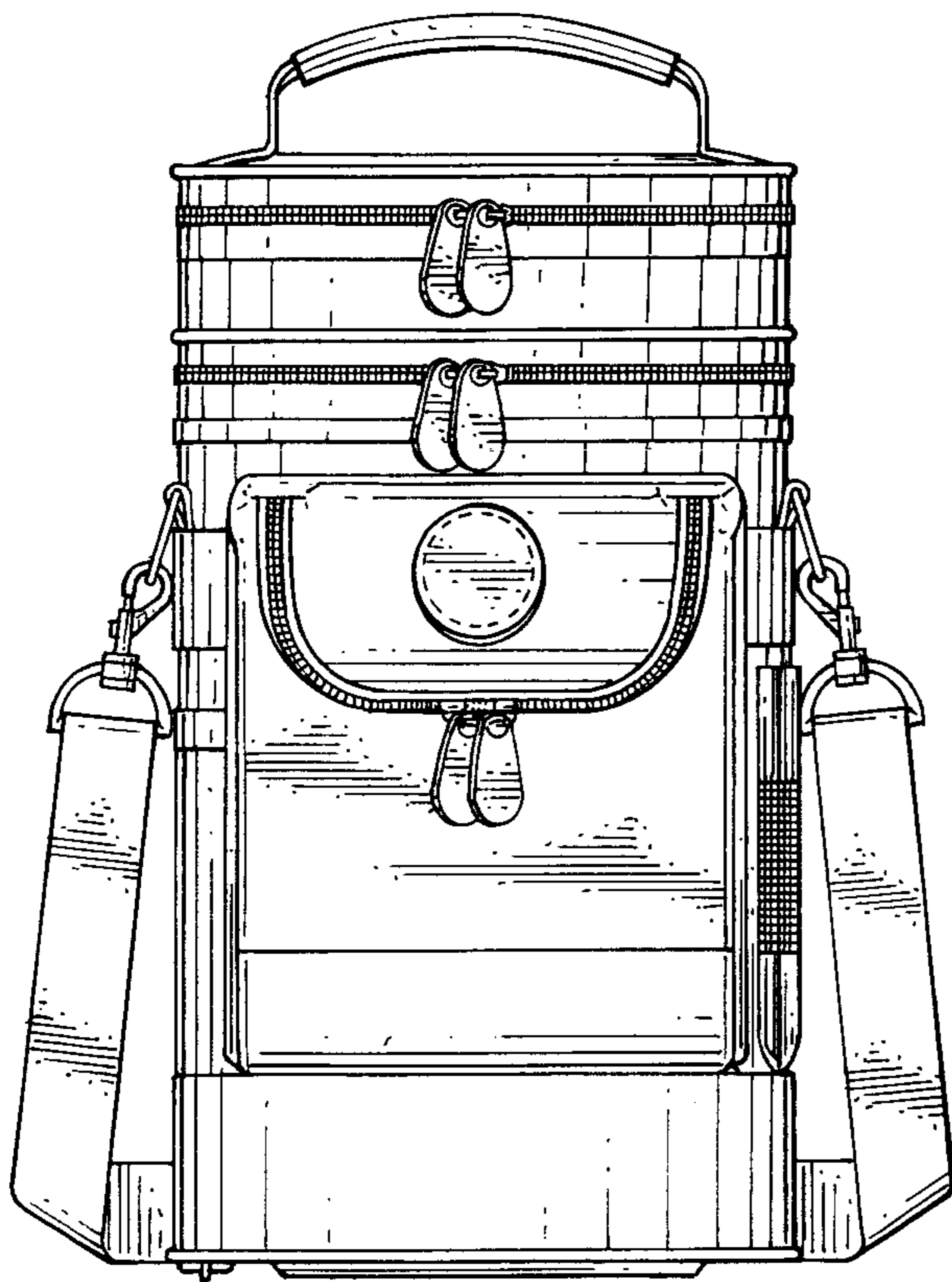
[57] **CLAIM**

The ornamental design for an insulated beverage and food cooler bag, substantially as shown and described.

DESCRIPTION

FIG. 1 is a front view of an insulated beverage and food cooler bag.
 FIG. 2 is a right side view thereof.
 FIG. 3 is a rear view thereof.
 FIG. 4 is a left side view thereof.
 FIG. 5 is a top view thereof.
 FIG. 6 is a bottom view thereof; and,
 FIG. 7 is a front view of an alternate embodiment; the right side, left side, rear, top and bottom views being substantially the same as the embodiment of FIGS. 1 through 6.

1 Claim, 4 Drawing Sheets



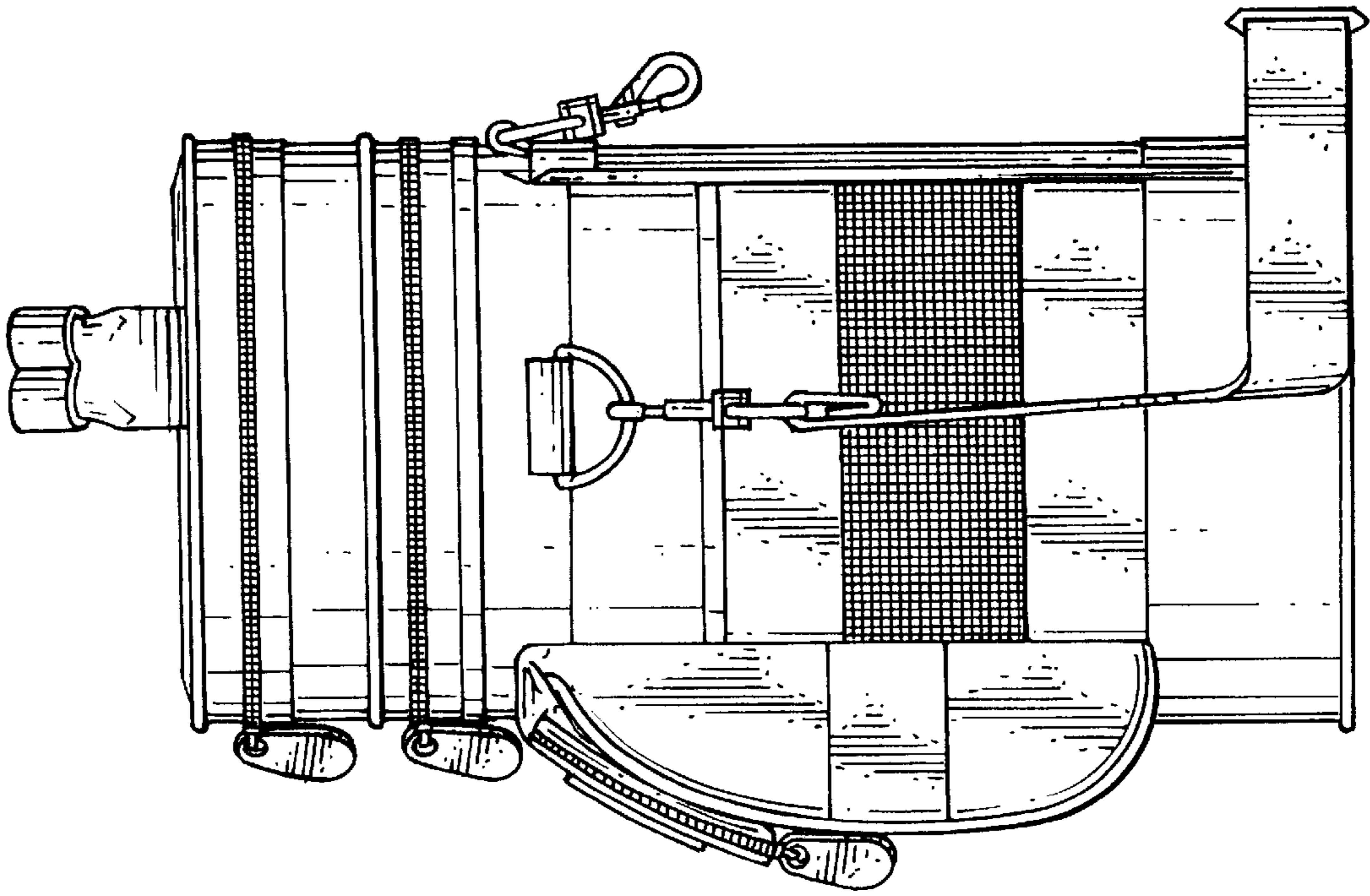


Fig. 2.

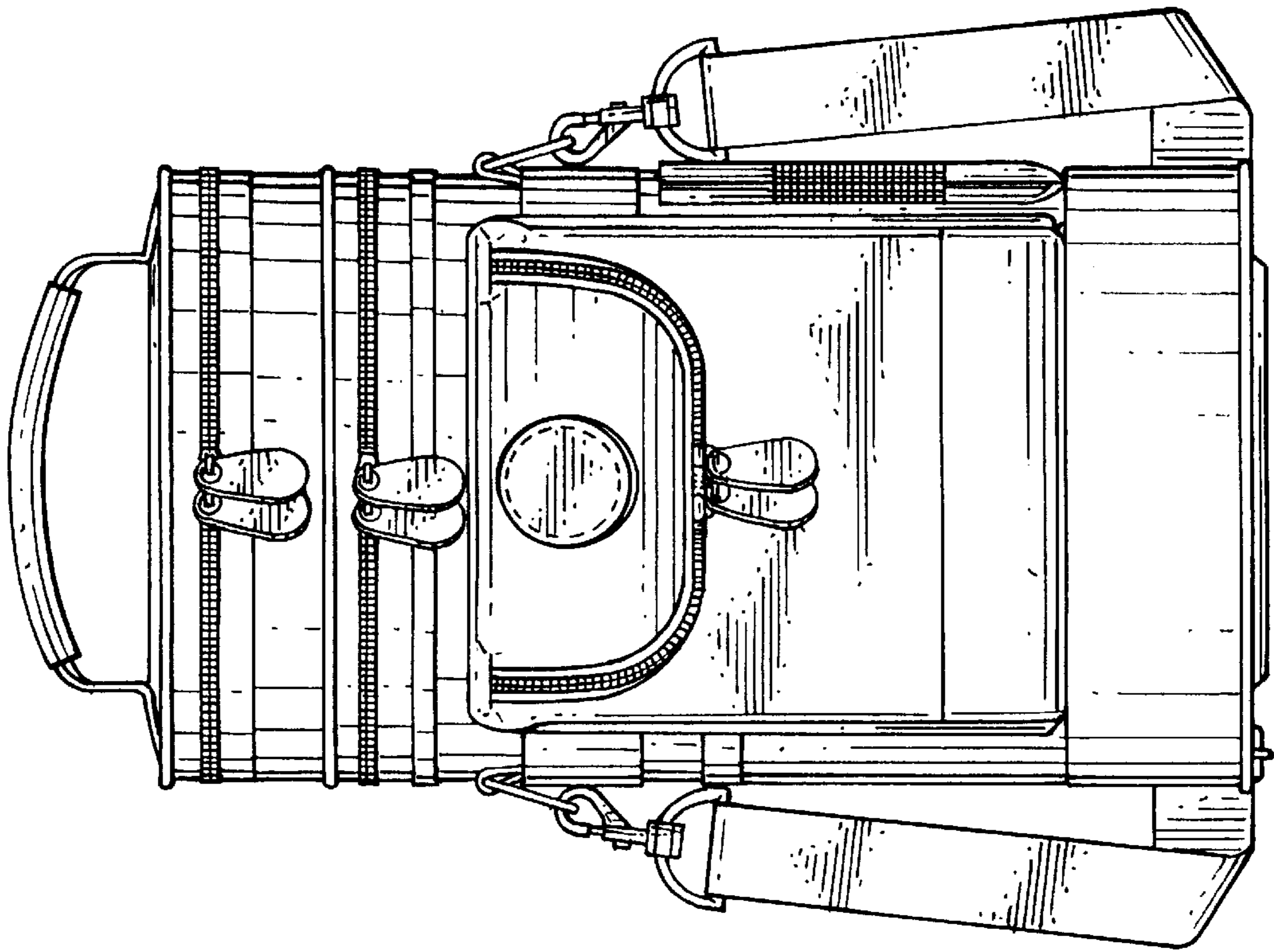


Fig. 1.

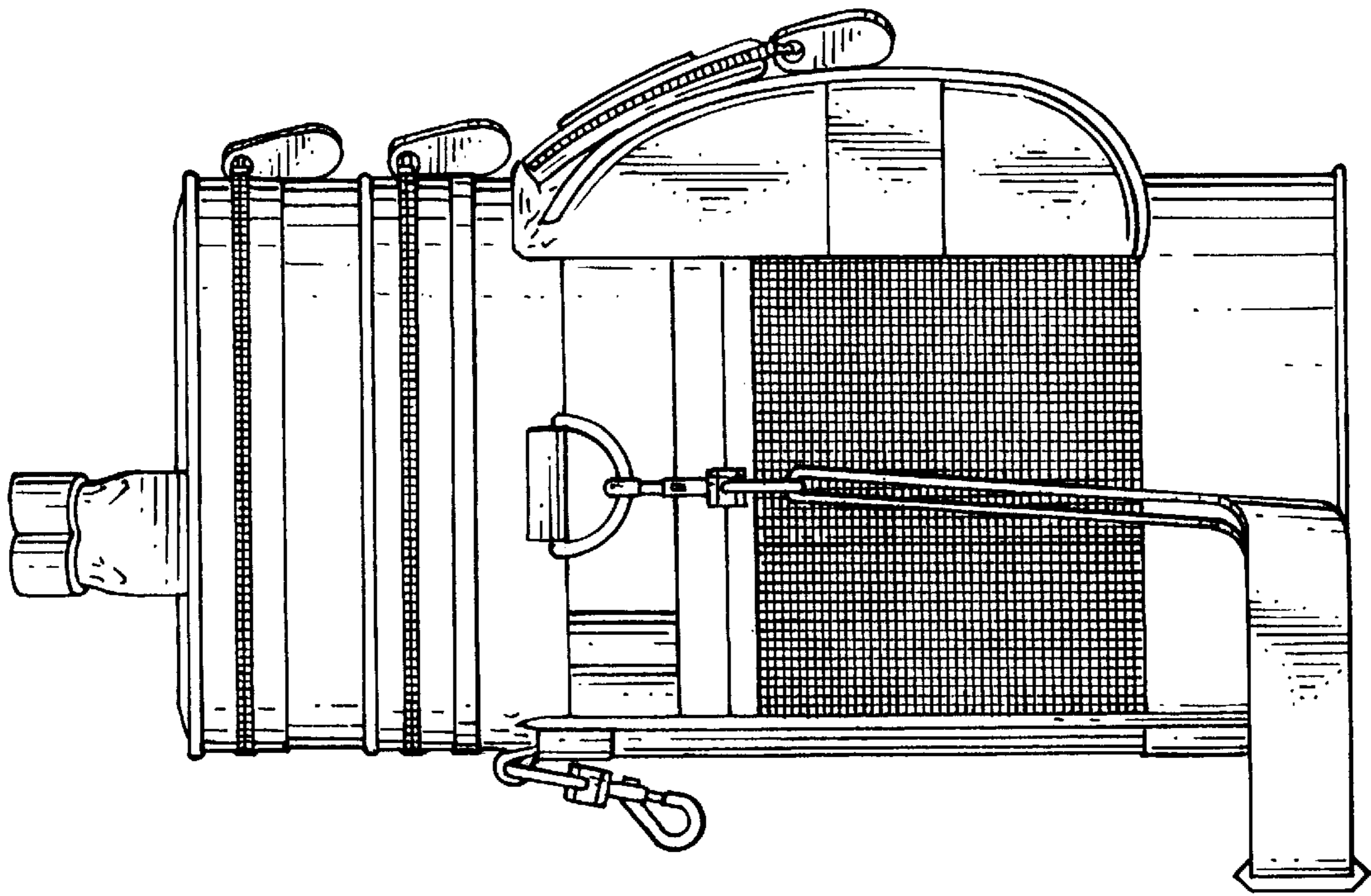


Fig. 4.

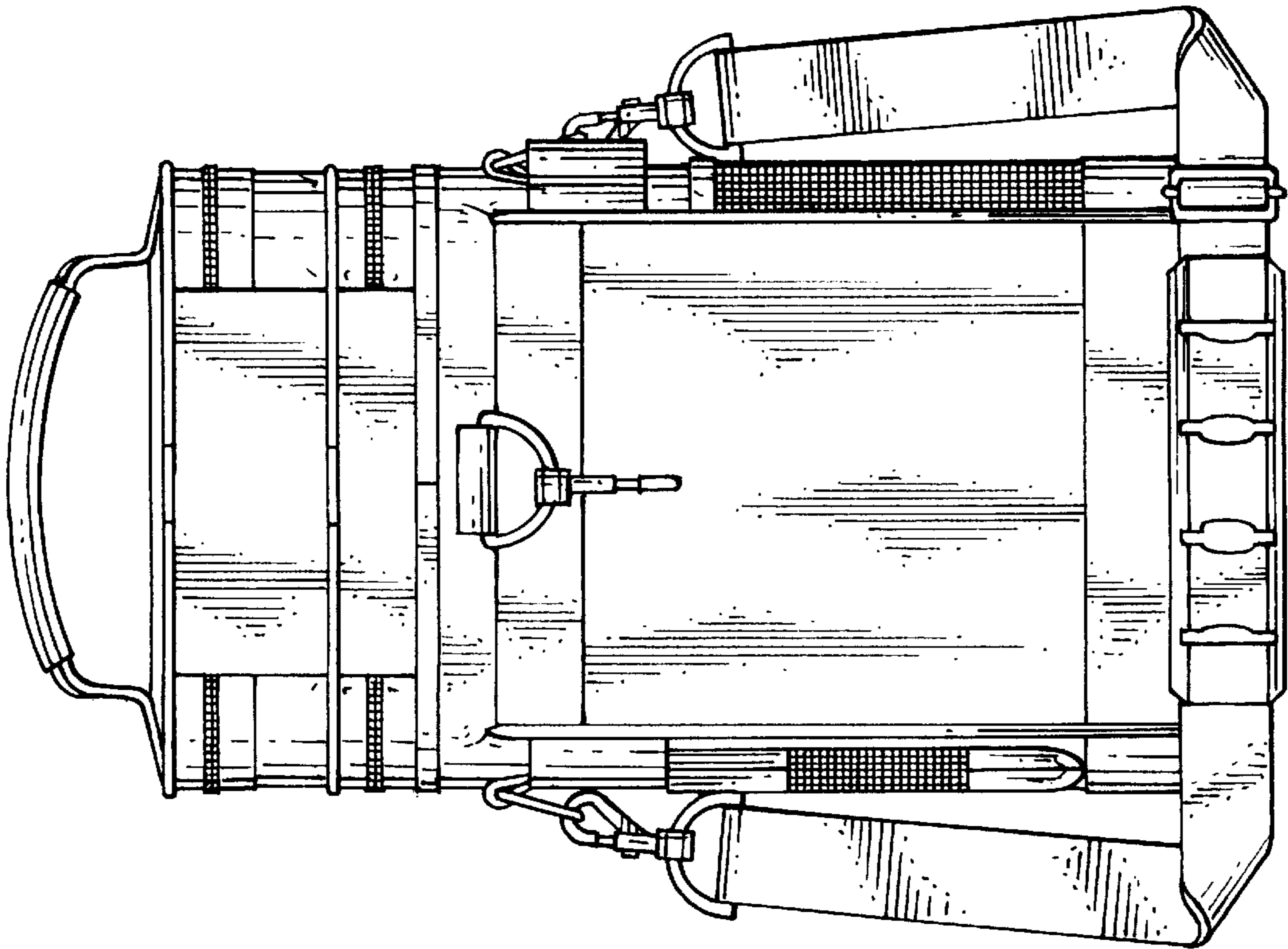


Fig. 3.

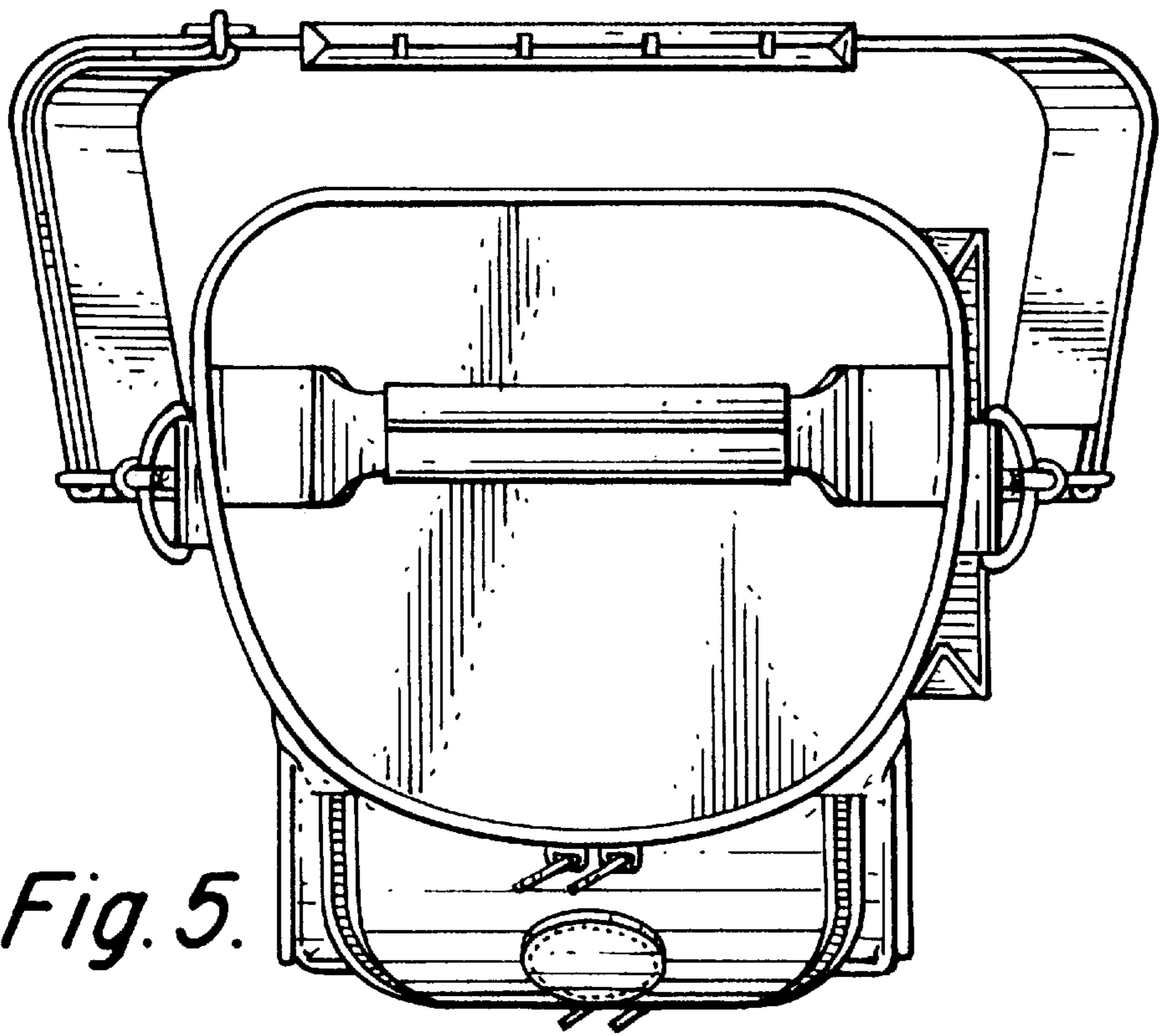


Fig. 5.

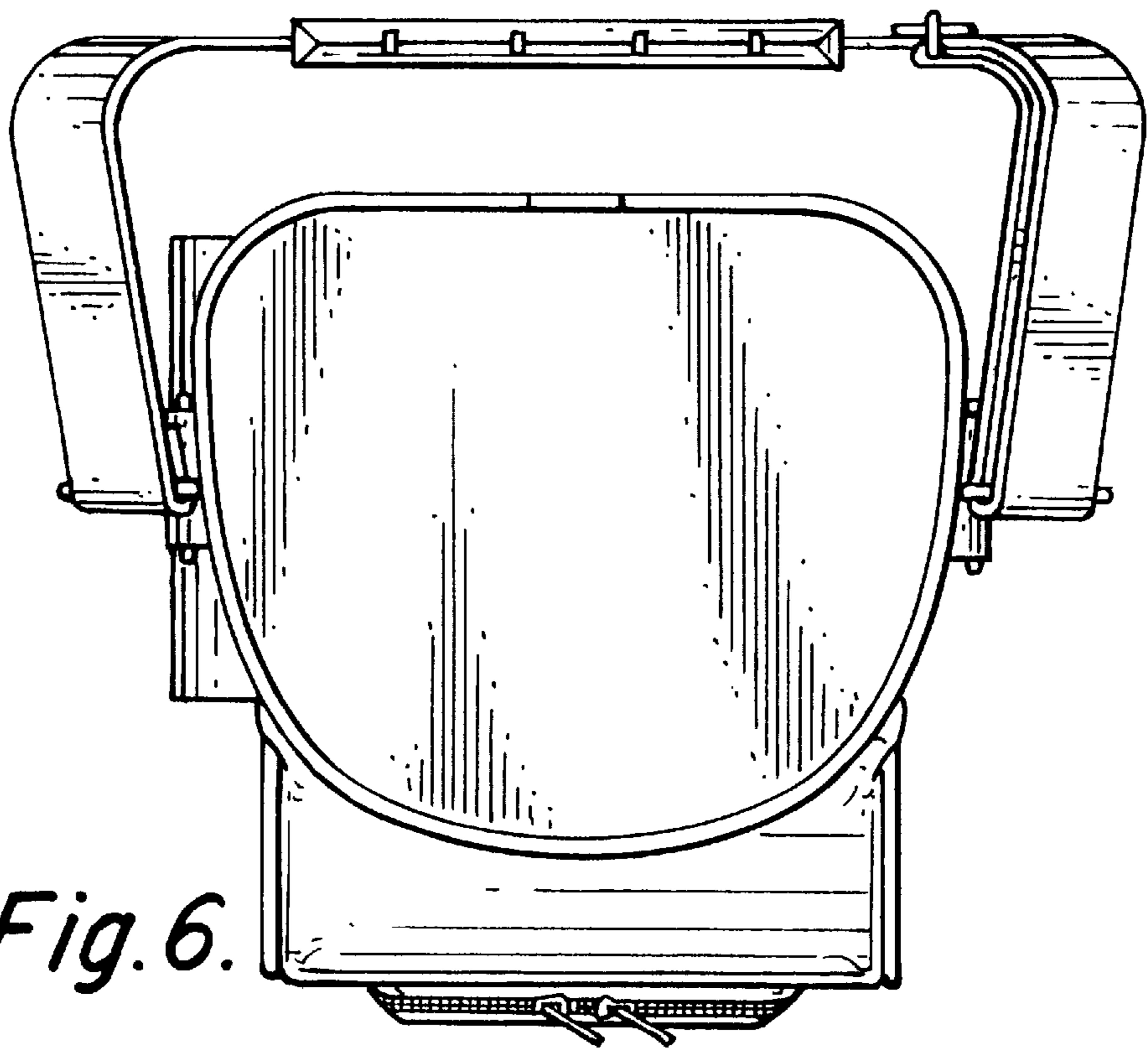


Fig. 6.

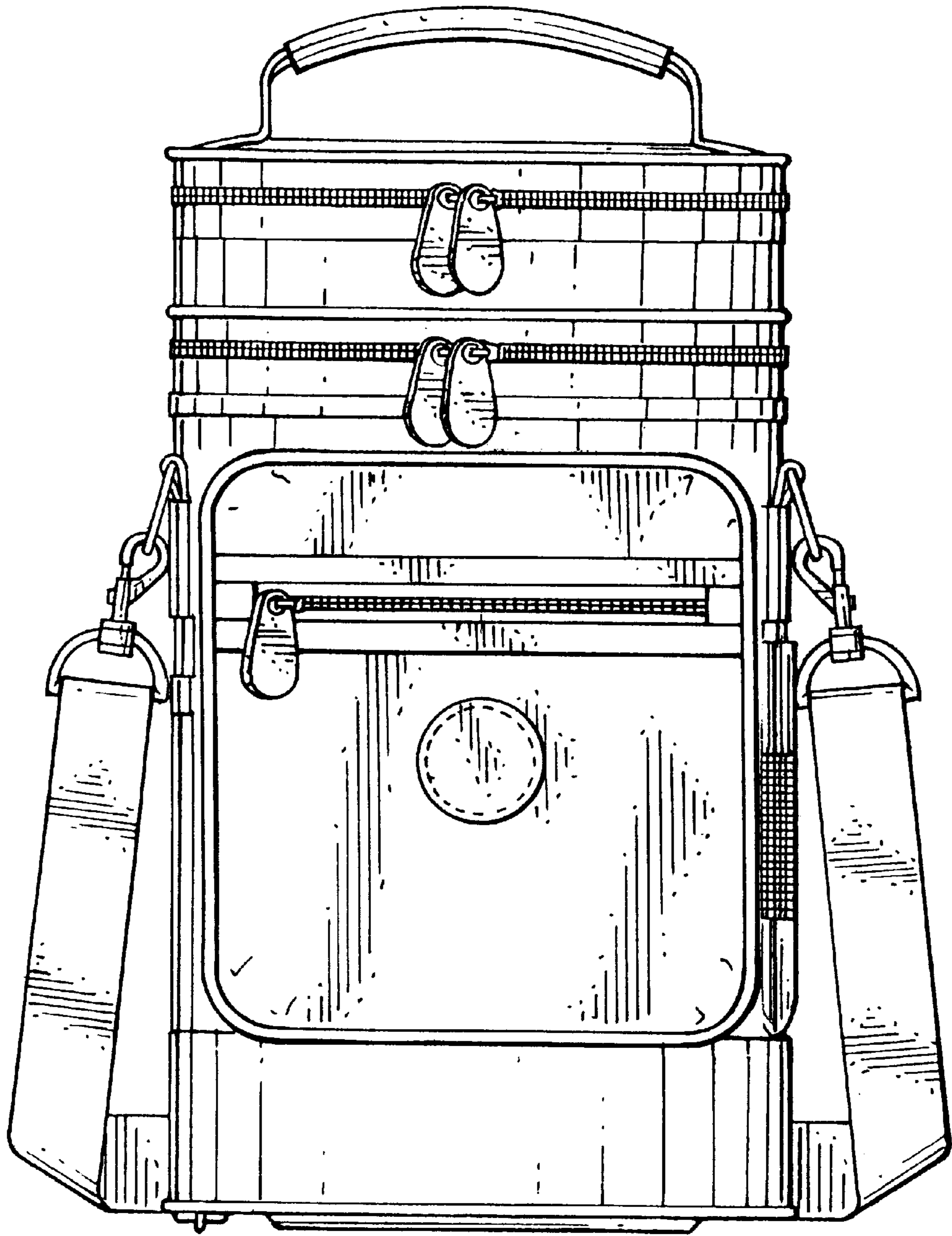


Fig. 7.