



US00D434608S

# United States Patent [19] Hansen

[11] **Patent Number: Des. 434,608**

[45] **Date of Patent: \*\* Dec. 5, 2000**

[54] **PICNIC/PARTY COOLER**

[76] Inventor: **Gregory J. H. Hansen**, 4 E. 64<sup>th</sup> St.,  
New York, N.Y. 10021

[\*\*] Term: **14 Years**

[21] Appl. No.: **29/121,006**

[22] Filed: **Mar. 30, 2000**

D. 358,966 6/1995 Ochs .  
D. 360,340 7/1995 Hitch et al. .  
D. 393,778 4/1998 Ochs, Sr. .

*Primary Examiner*—Terry A. Wallace  
*Attorney, Agent, or Firm*—Baker Botts L.L.P.

### [57] CLAIM

The ornamental design for a picnic/party cooler, as shown and described.

### Related U.S. Application Data

[62] Division of application No. 29/100,674, Feb. 16, 1999, Pat. No. Des. 427,020.

[51] **LOC (7) Cl.** ..... **07-01**

[52] **U.S. Cl.** ..... **D7/606**

[58] **Field of Search** ..... D7/604, 606; D9/500, D9/503; 215/12.1, 12.2, 13.1; 220/592.16, 592.24–592.27; 62/457.1, 457.7, 371

### [56] References Cited

#### U.S. PATENT DOCUMENTS

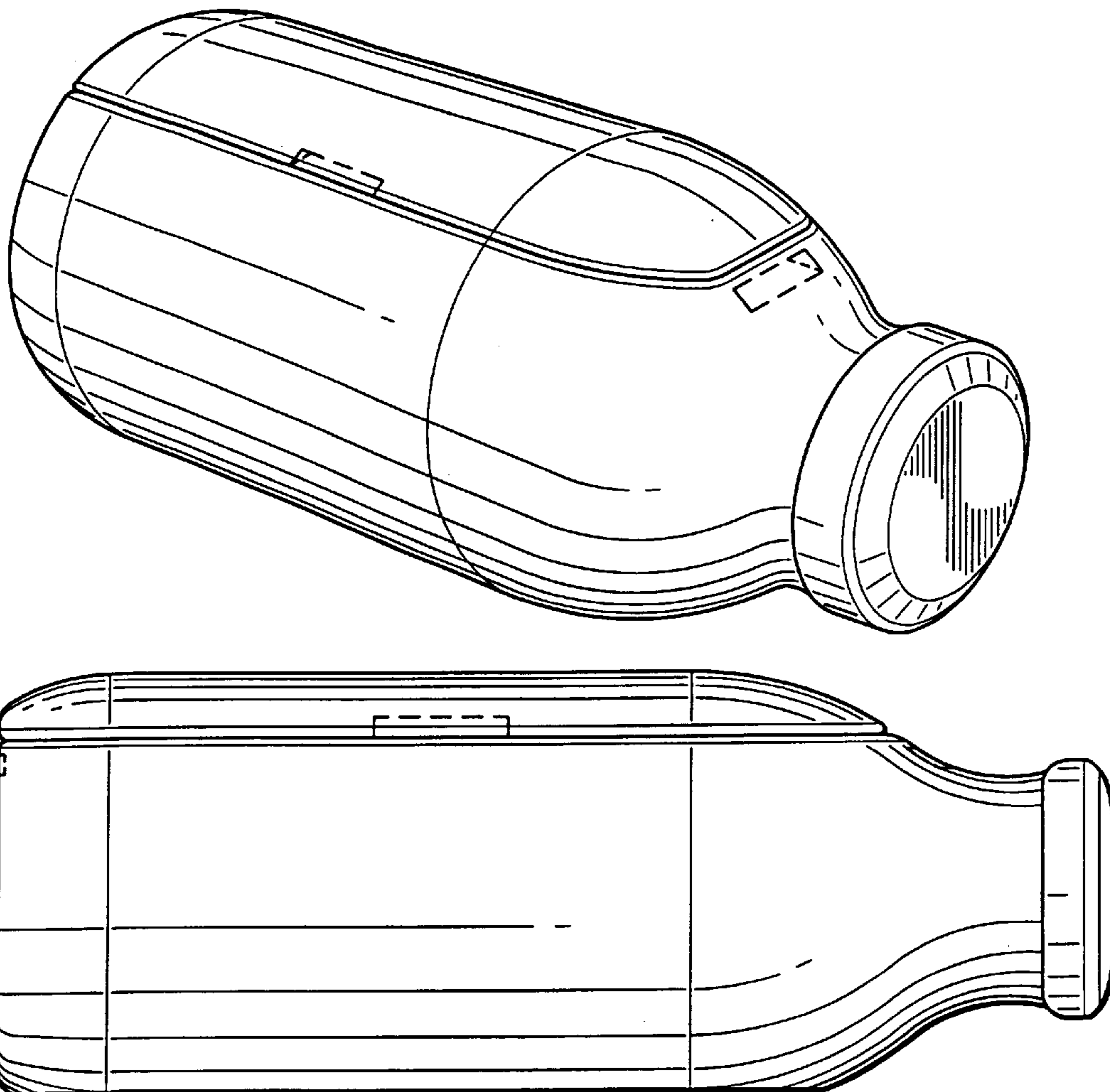
D. 198,342 6/1964 Taylor et al. .... D9/503  
D. 231,084 4/1974 Motsch ..... D9/503

### DESCRIPTION

FIG. 1 is a three-quarter front pictorial view of an embodiment of a picnic/party cooler according to my new design; FIG. 2 is a front elevational view of the embodiment and is also a mirror image of a rear elevational view; FIG. 3 is a top plan view of the embodiment; FIG. 4 is a bottom plan view of the embodiment; FIG. 5 is an elevational view of the right end of the embodiment; and, FIG. 6 is an elevational view of the left end of the embodiment.

The broken lines are for illustrative purposes only and form no part of the claimed design.

**1 Claim, 2 Drawing Sheets**



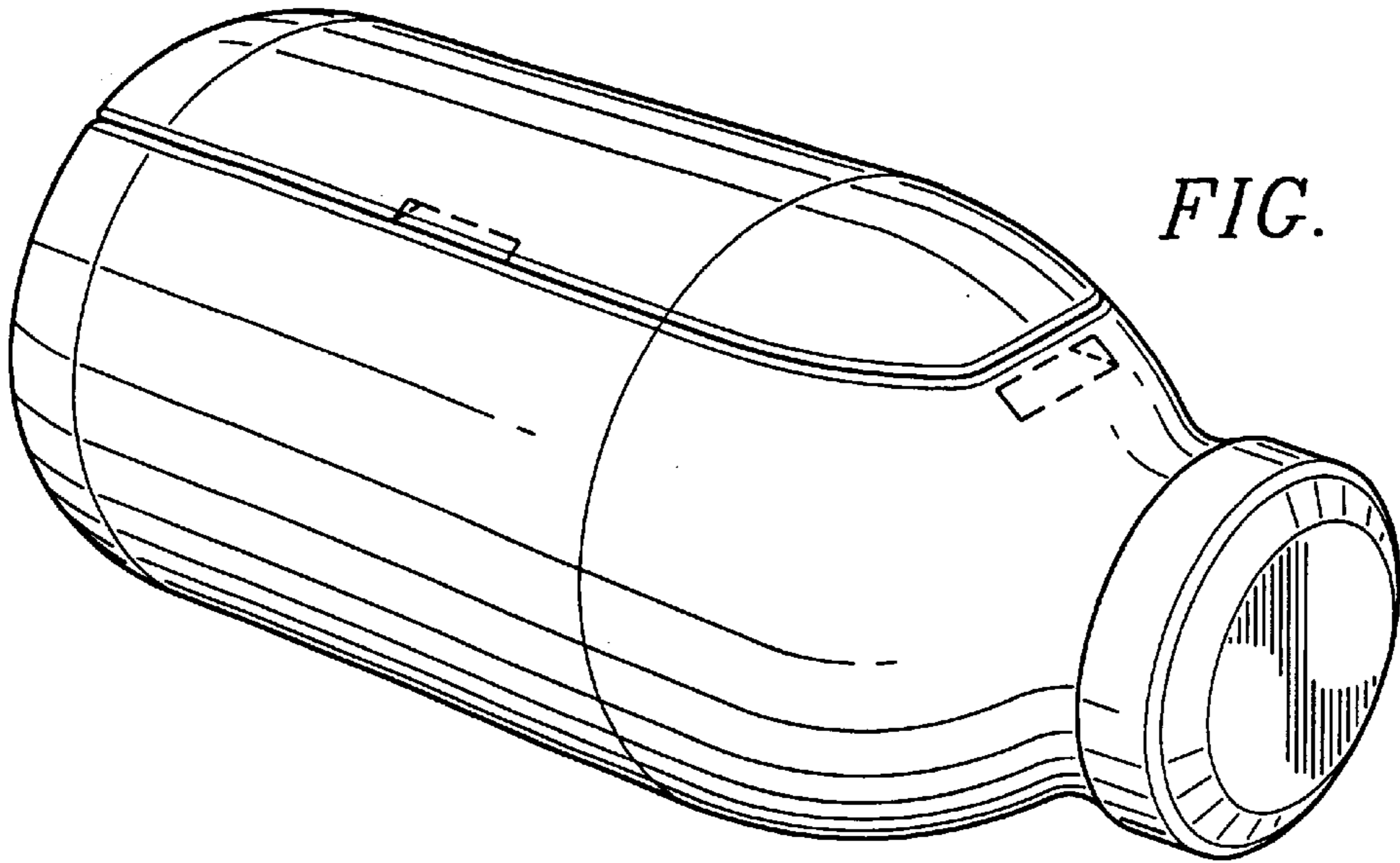


FIG. 1

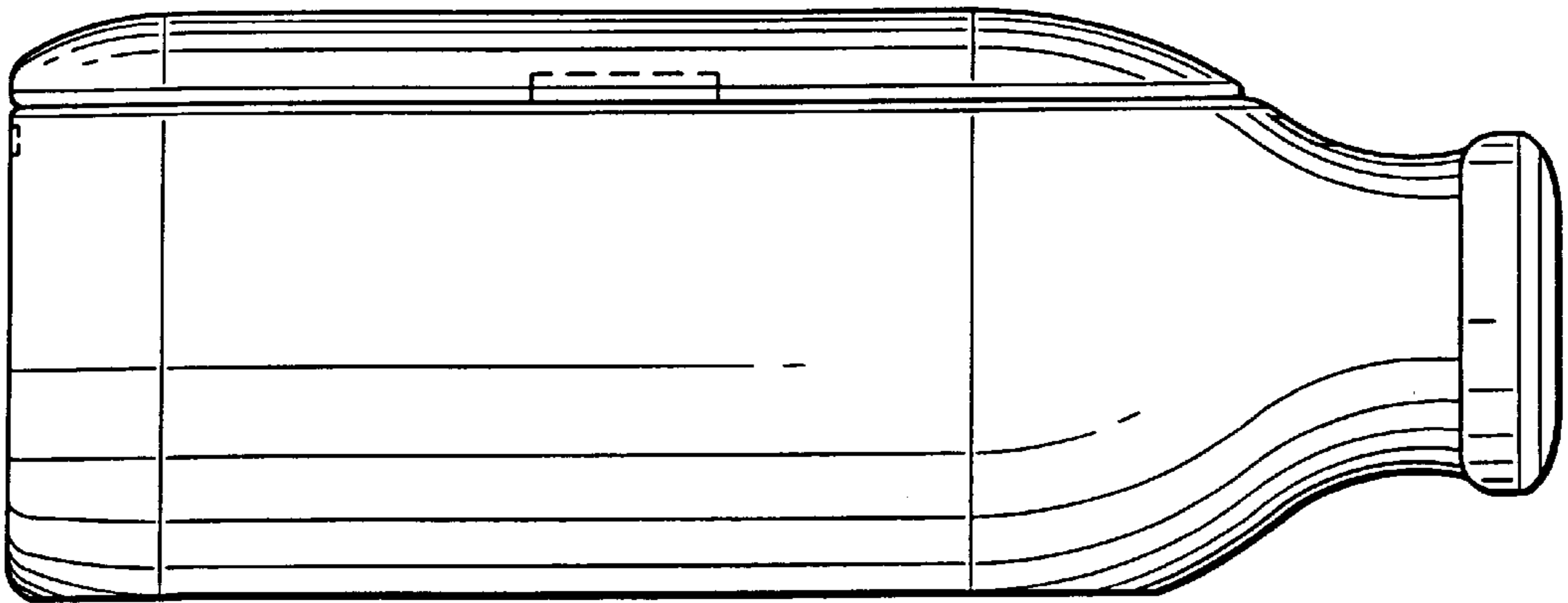


FIG. 2

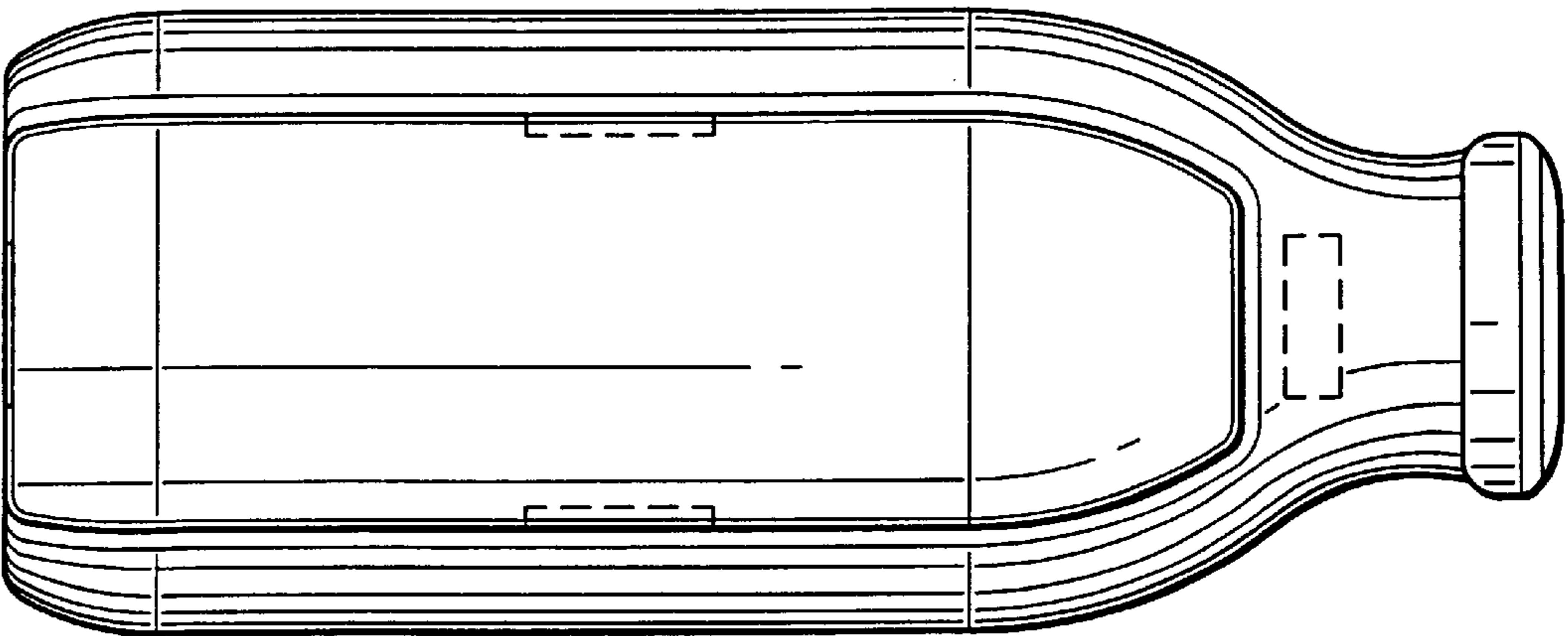


FIG. 3

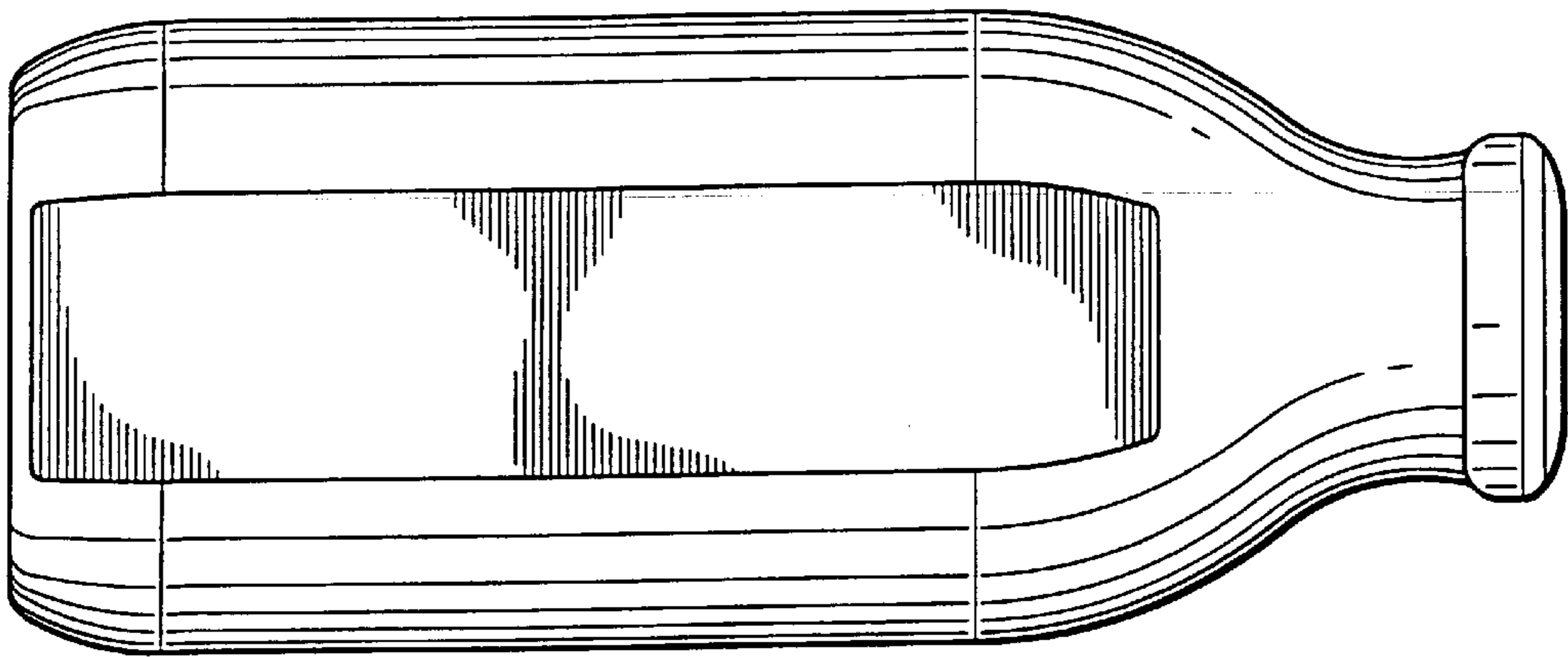


FIG. 4

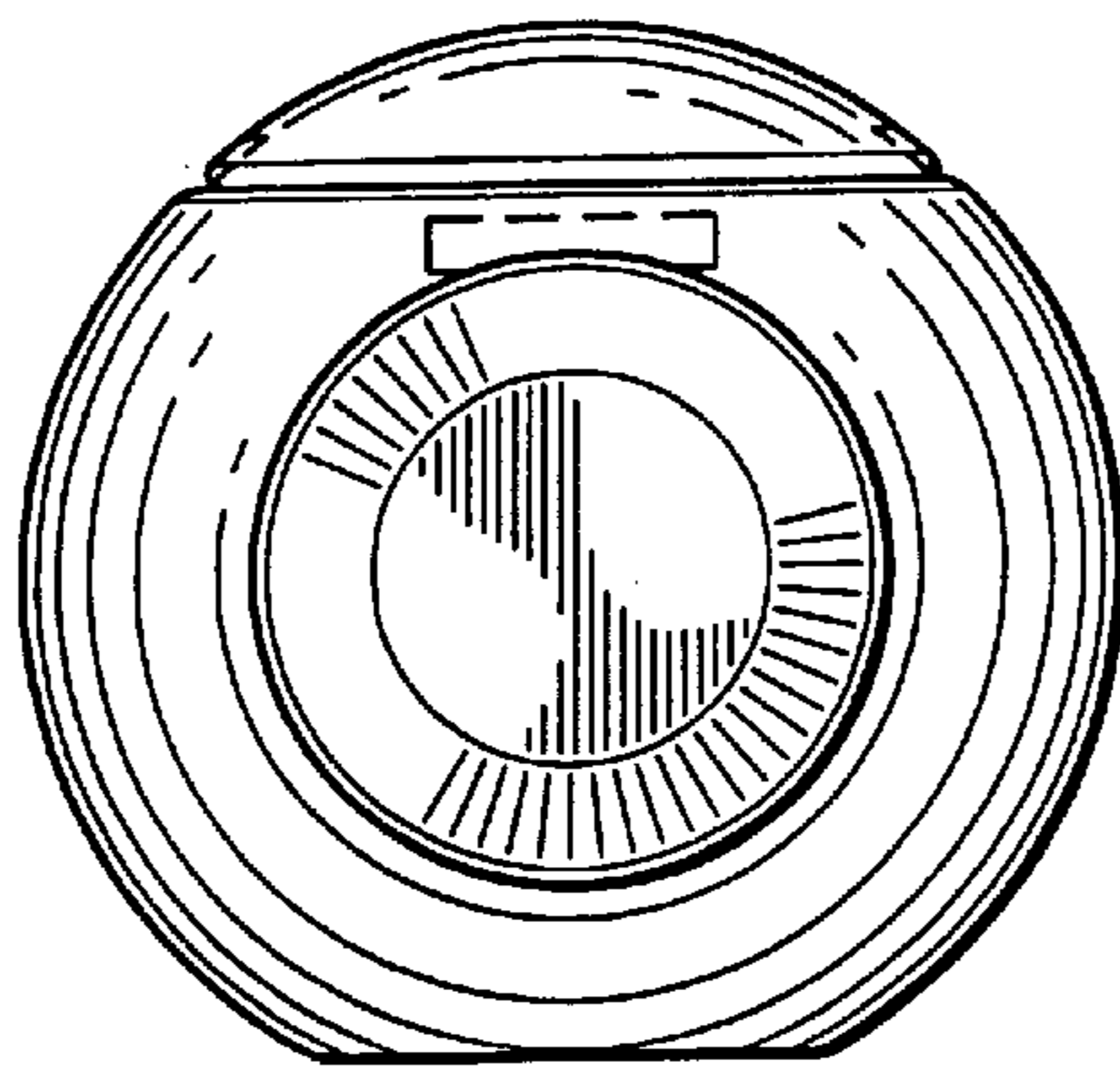


FIG. 5

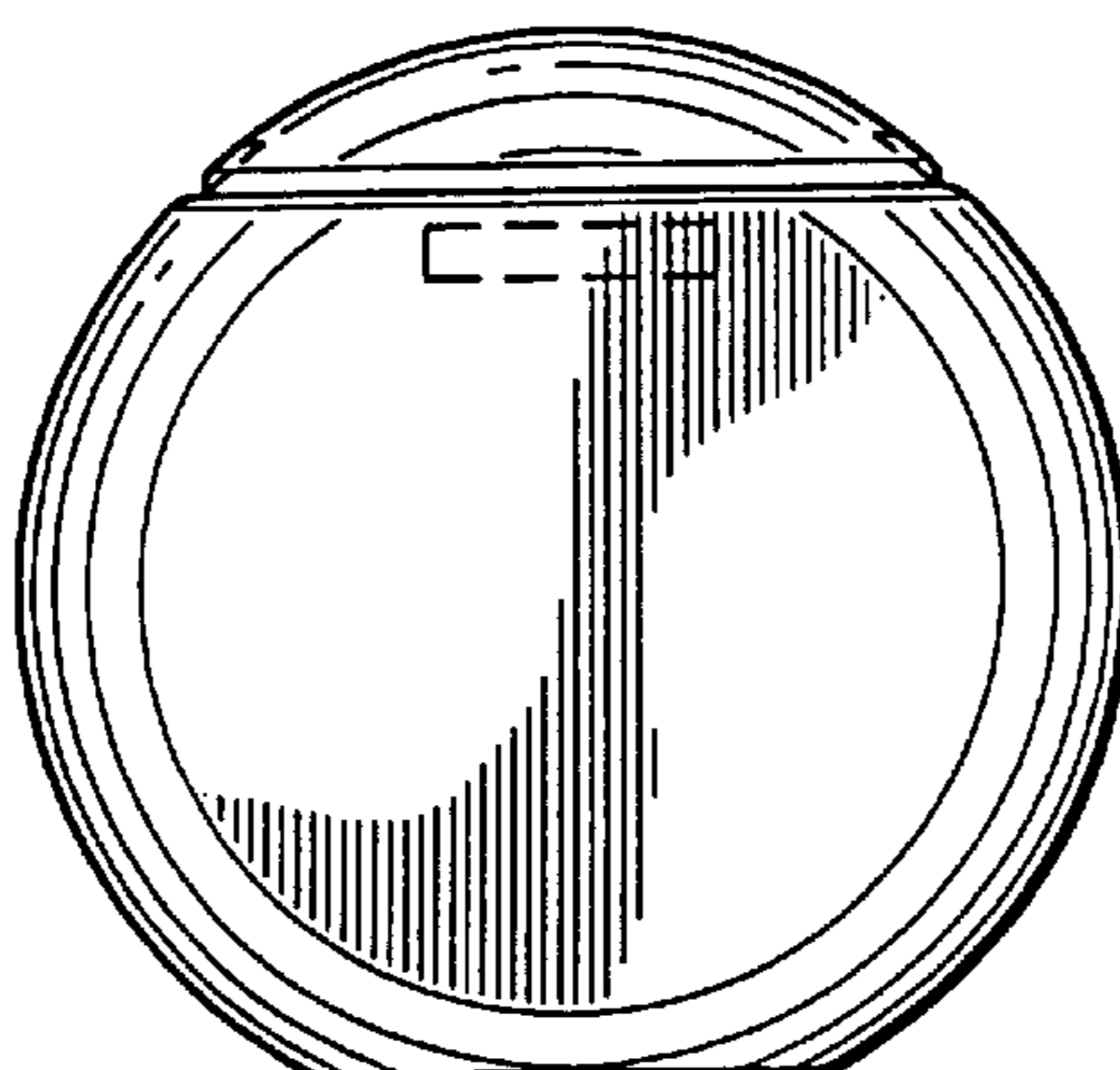


FIG. 6