



US00D434606S

United States Patent [19]

[11] Patent Number: Des. 434,606

Reames et al.

[45] Date of Patent: ** Dec. 5, 2000

[54] **SERVING TRAY DEFINED BY A TEMPERED GLASS PANEL BOUNDED BY A ONE-PIECE RIM OF INJECTION MOLDED POLYMERIC/COPOLYMERIC SYNTHETIC MATERIALS**

Primary Examiner—Antoine Duval Davis
Attorney, Agent, or Firm—Diller, Ramik & Wight, PC

[75] Inventors: **Gary Reames**, Muskegon; **Bob Herrmann**, Spring Lake; **Howard Daley**, Zeeland, all of Mich.

[57] CLAIM

The ornamental design for a serving tray defined by a tempered glass panel bounded by a one-piece rim of injection molded polymeric/copolymeric synthetic materials, as shown and described.

[73] Assignee: **Gemtron Corporation**, Sweetwater, Tenn.

DESCRIPTION

[**] Term: **14 Years**

FIG. 1 is a top perspective view of a serving tray defined by a tempered glass panel bounded by a one-piece rim of injection molded polymeric/copolymeric synthetic material showing my new design;

[21] Appl. No.: **29/098,539**

FIG. 2 is a bottom perspective view thereof;

[22] Filed: **Dec. 30, 1998**

FIG. 3 is a side elevational view with the opposite side being identical thereto;

[51] **LOC (7) Cl.** **07-01**

[52] **U.S. Cl.** **D7/550.1**

FIG. 4 is an end elevational view with the opposite end view being identical thereto;

[58] **Field of Search** D7/550.1, 552.2, D7/554.3, 554.4, 545, 543, 354, 360; 206/564, 511; 220/575, 556, 23.8

FIG. 5 is an enlarged fragmentary cross-sectional view taken generally along line 5—5 of FIG. 1 showing the cross-sectional configuration of the rim and its integral handle relative to a peripheral edge of the tempered glass panel; and,

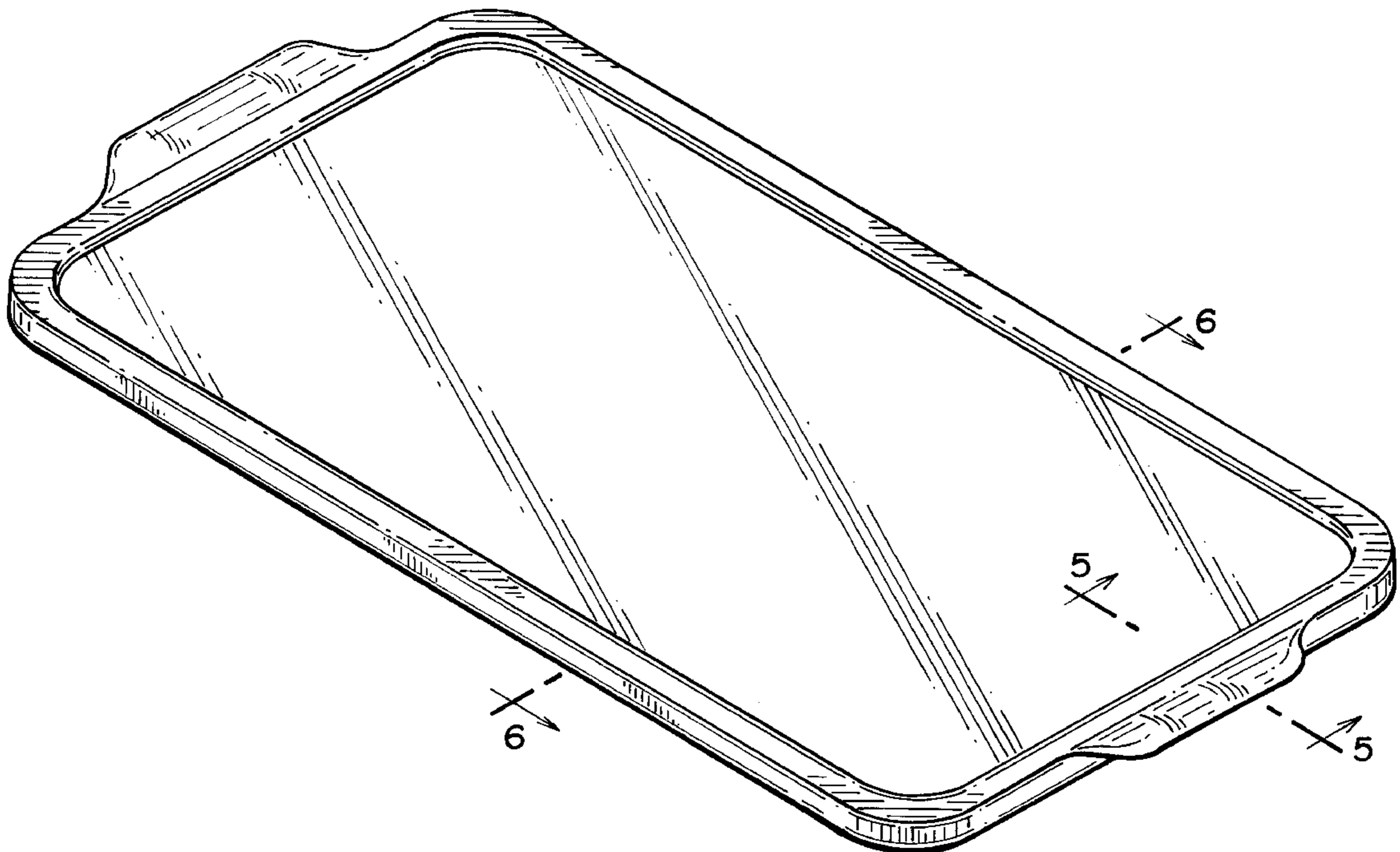
[56] References Cited

U.S. PATENT DOCUMENTS

- D. 384,778 10/1997 Powers et al. D7/545 X
- D. 405,646 2/1999 Indekeu D7/500 5,273,354 12/1993 Herrmann et al. .

FIG. 6 is a cross-sectional view taken generally along line 6—6 of FIG. 1.

1 Claim, 4 Drawing Sheets



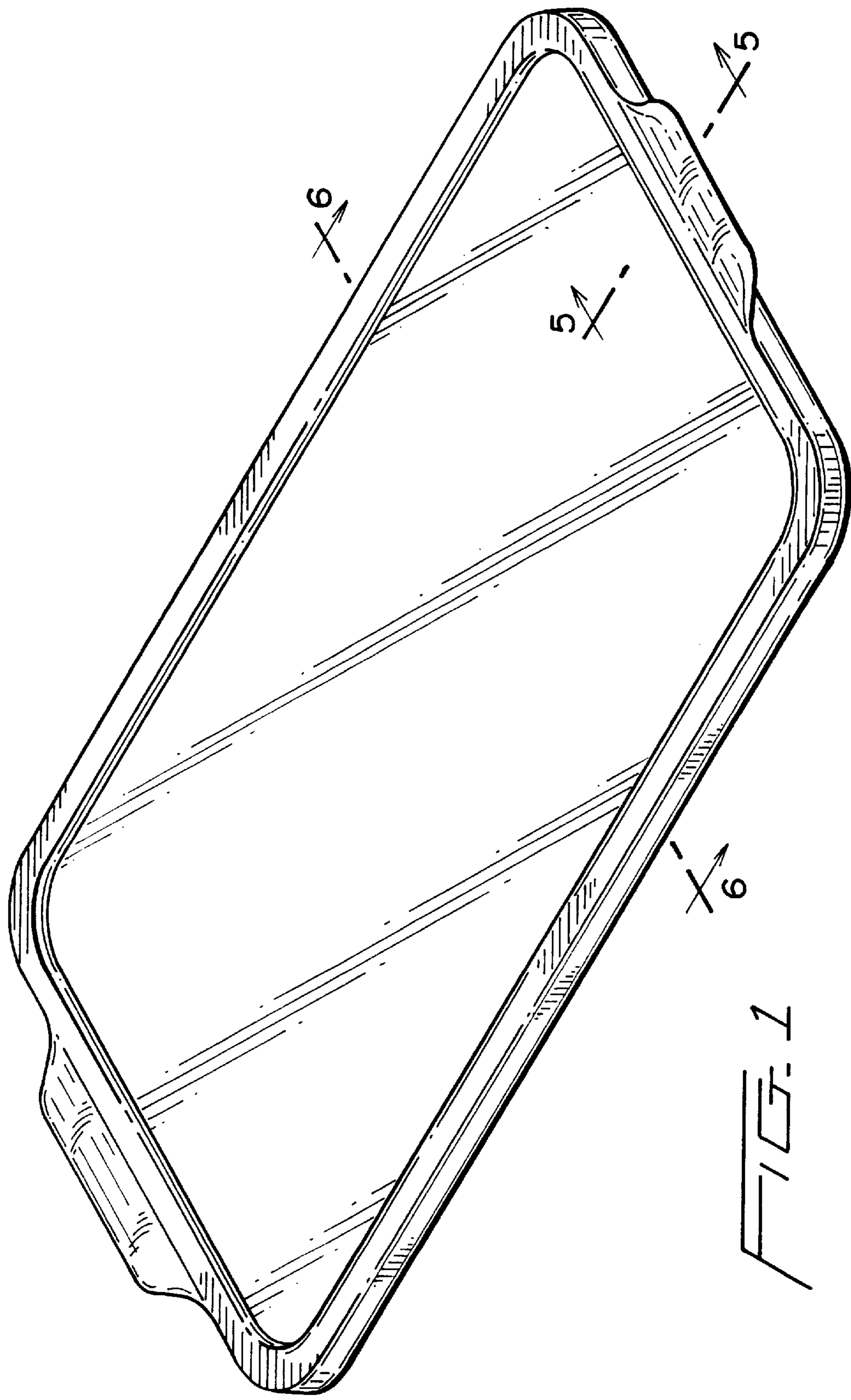
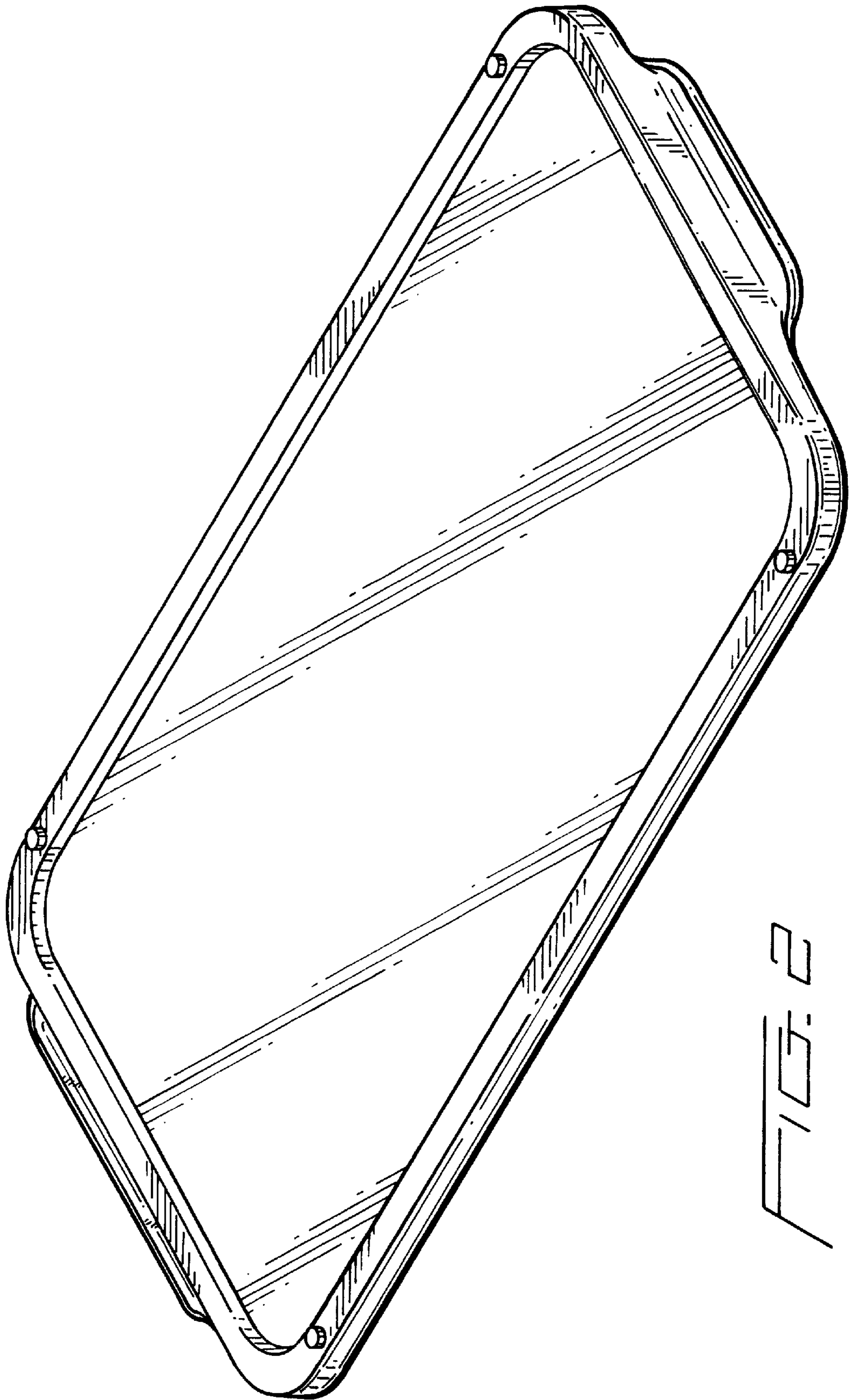


FIG. 1



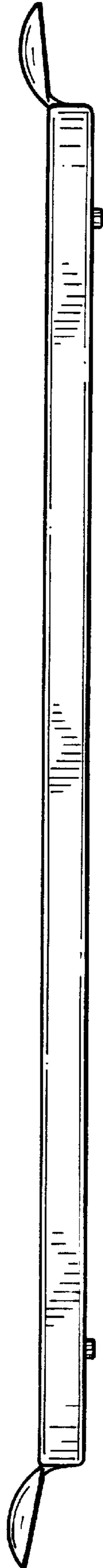


FIG. 3

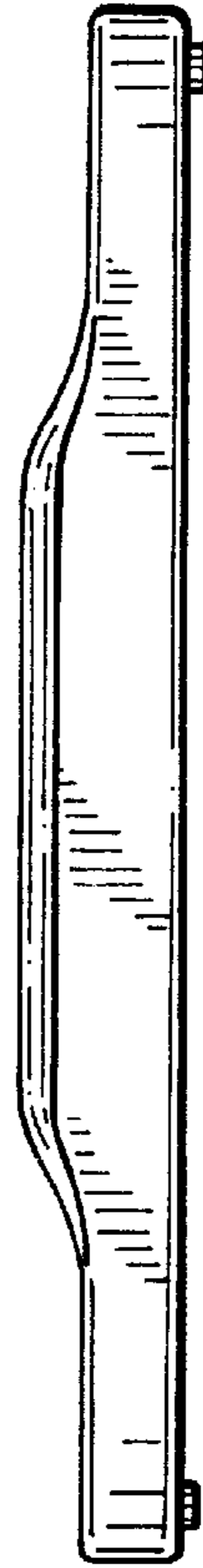


FIG. 4

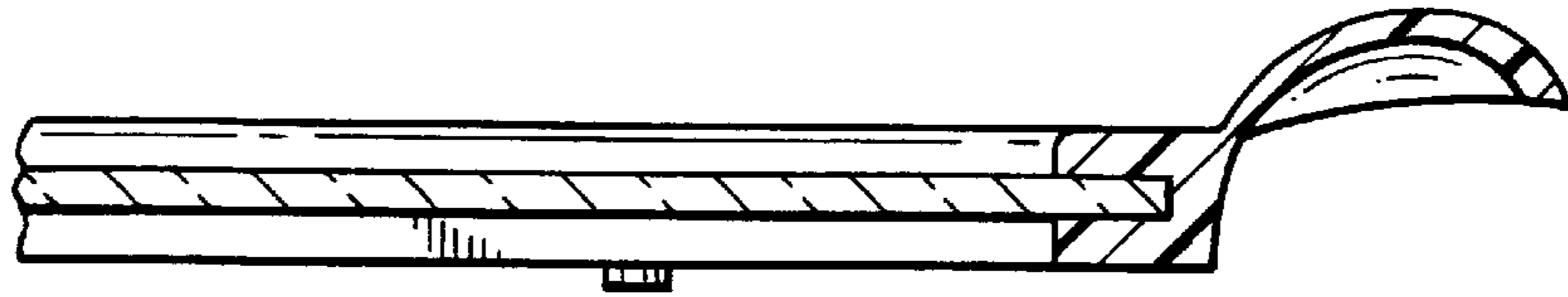


FIG. 5

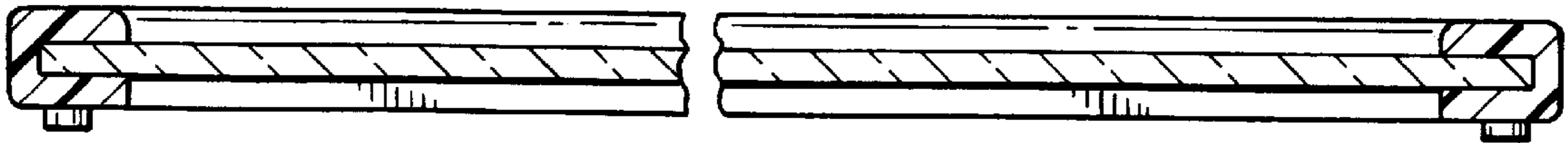


FIG. 6