



US00D434601S

# United States Patent [19]

Lewis et al.

[11] Patent Number: **Des. 434,601**

[45] Date of Patent: **\*\* Dec. 5, 2000**

[54] **SPILL TRAY**

[75] Inventors: **Robert A. Lewis**, Alta Loma; **Anthony B. Joseph**, Capistrano Beach; **Wouter J. Wiersma**, Arcadia, all of Calif.

[73] Assignee: **Distinctive Appliances, Inc.**, Pasadena, Calif.

[\*\*] Term: **14 Years**

[21] Appl. No.: **29/098,389**

[22] Filed: **Dec. 29, 1998**

[51] **LOC (7) Cl.** ..... **31-00**

[52] **U.S. Cl.** ..... **D7/407**

[58] **Field of Search** ..... D7/346, 402, 407; 126/39 M; 219/459.1, 460.1, 461.1, 455.11, 455.12, 538

### [56] References Cited

#### U.S. PATENT DOCUMENTS

D. 177,603	5/1956	Wertepny	.....	D7/407
D. 203,910	2/1966	Suchnoff et al.	.....	D7/407
D. 215,384	9/1969	Meschwitzer	.....	D7/407
D. 250,081	10/1978	Stansberry, Jr. et al.	.....	D7/407

D. 256,657	9/1980	Stansberry, Jr. et al.	.....	D7/407
D. 323,385	1/1992	Higgins et al.	.....	D7/407
2,049,387	7/1936	Twombly	.....	219/460.1

*Primary Examiner*—Robert M. Spear  
*Attorney, Agent, or Firm*—Lyon & Lyon LLP

### [57] CLAIM

I claim the ornamental design for a spill tray, as shown and described.

### DESCRIPTION

FIG. 1 is a top elevational view of a spill tray showing our new design.

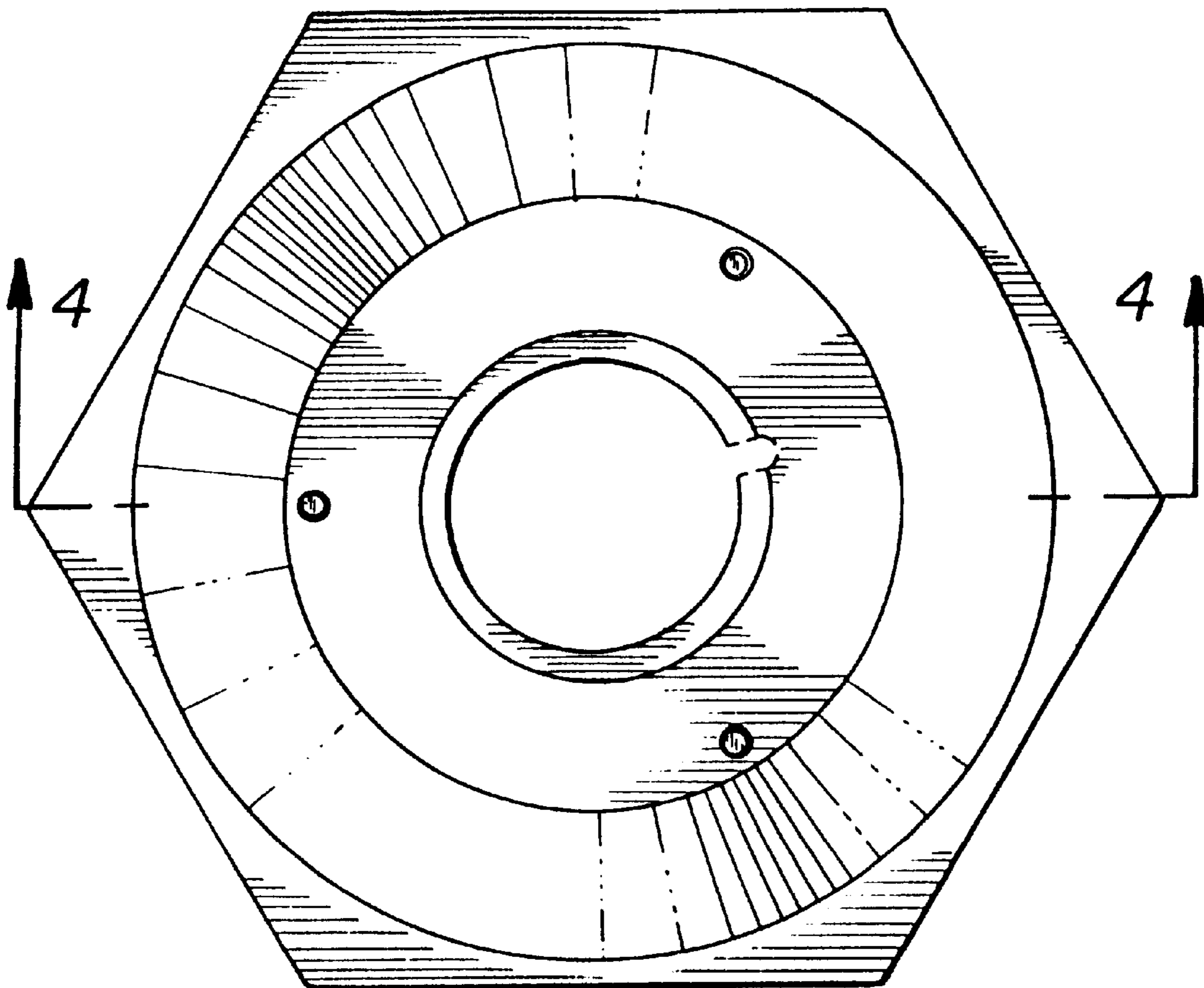
FIG. 2 is a side elevational view thereof, the opposite side elevational view being a mirror image thereof.

FIG. 3 is a front elevational view thereof, the rear elevational view being a mirror image thereof; and,

FIG. 4 is a cross-sectional view thereof taken along the line 4—4 shown in FIG. 1.

The bottom surface of the spill tray forms no part of the claimed design. The broken line disclosure of the U-shaped center cutout is for illustrative purposes only and forms no part of the claimed design.

**1 Claim, 1 Drawing Sheet**



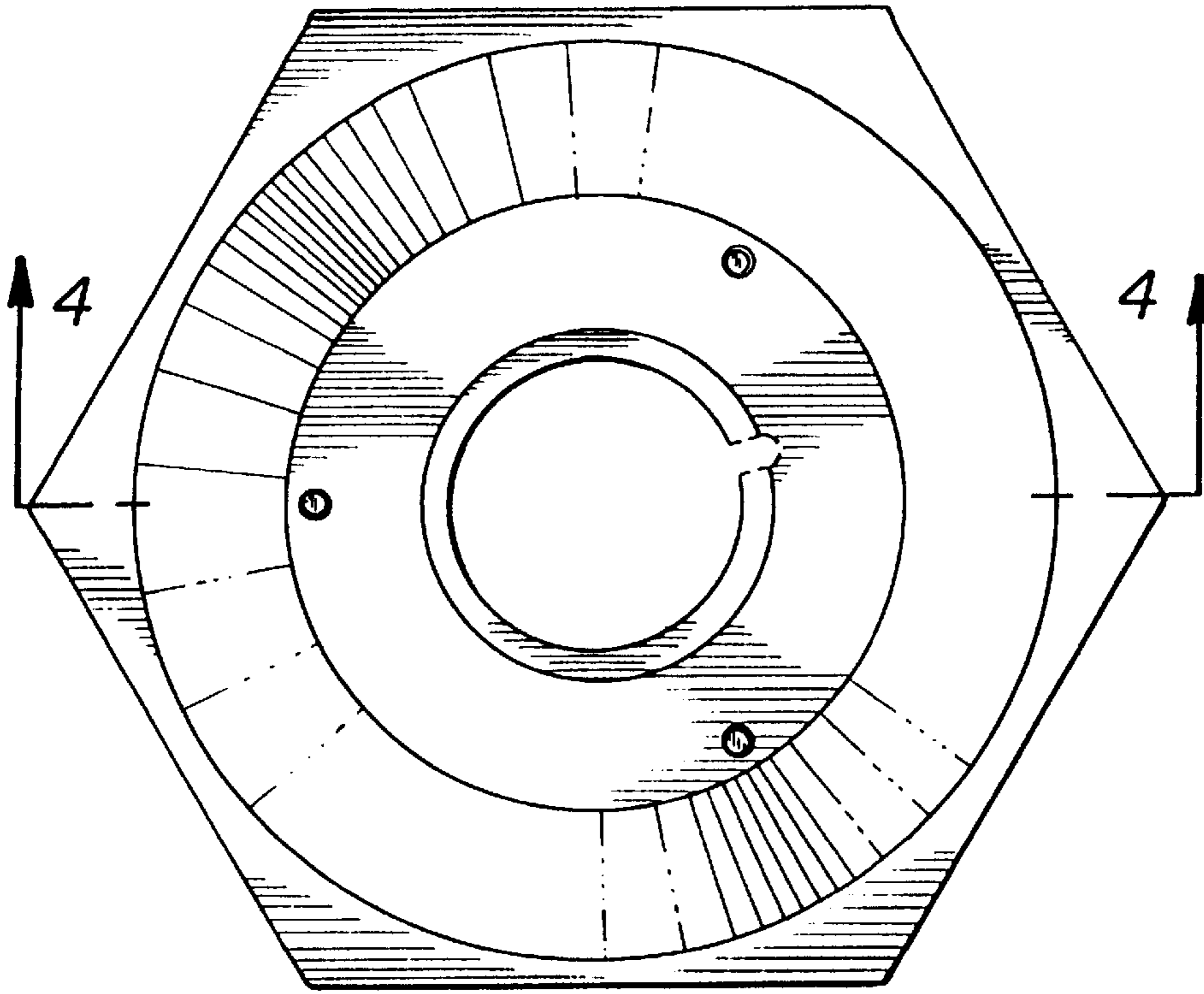


FIG. 1



FIG. 2

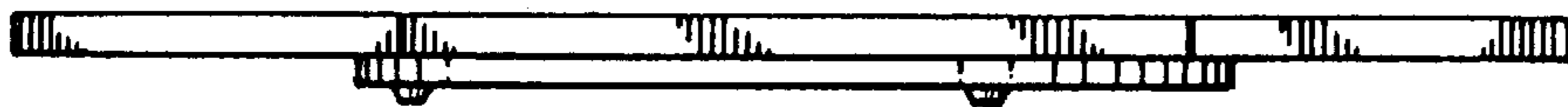


FIG. 3

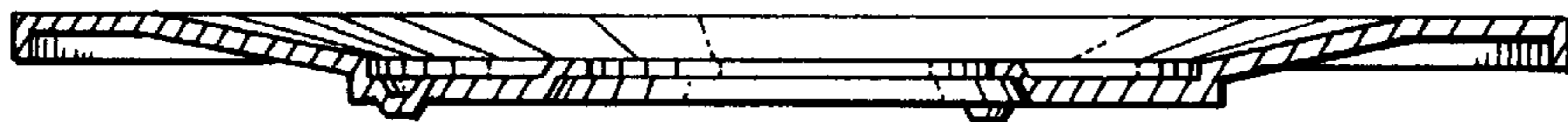


FIG. 4