



US00D434599S

United States Patent [19]

Brady et al.

[11] Patent Number: **Des. 434,599**

[45] Date of Patent: **** Dec. 5, 2000**

[54] CARAFE HANDLE AND LID

[75] Inventors: **Martin Brady**, Chesterfield; **Peter A. Glade**, Glen Allen, both of Va.

[73] Assignee: **Hamilton Beach/Proctor-Silex, Inc.**, Glen Allen, Va.

[**] Term: **14 Years**

[21] Appl. No.: **29/104,360**

[22] Filed: **May 4, 1999**

[51] **LOC (7) Cl.** **07-99**

[52] **U.S. Cl.** **D7/392; D7/394; D7/397**

[58] **Field of Search** D7/300, 312, 309, D7/314, 310, 317, 311, 318, 319, 397, 321, 322, 598, 605, 606, 392, 394; 222/475, 566, 570; 215/13.1; 220/300, 293, 756; 99/283, 287; D9/443

[56] References Cited

U.S. PATENT DOCUMENTS

D. 288,517	3/1987	Kahlcke .	
D. 299,608	1/1989	Knochner .	
D. 305,854	2/1990	Ryan et al.	D7/319
D. 326,206	5/1992	Rakocy et al. .	
D. 326,386	5/1992	Rakocy et al. .	
D. 336,207	6/1993	Brookshire .	
D. 339,712	9/1993	Bunn et al. .	
D. 346,298	4/1994	Brady et al. .	
D. 356,712	3/1995	Brady .	
D. 359,195	6/1995	Mukai et al. .	
D. 365,492	12/1995	Rorke	D7/319
D. 368,826	4/1996	Storsberg .	
D. 371,270	7/1996	Bell et al. .	
D. 378,722	4/1997	Brady	D7/319
D. 389,005	1/1998	Brady	D7/319

OTHER PUBLICATIONS

See Information Disclosure Statement regarding offer for sale less than one year prior to filing date. Front and rear covers and pp. 8 and 9 of 1998 Product Information Guide published in May 1998 by Hamilton Beach/Proctor-Silex, Inc. Use and Care Manual titled "Use and Care Instructions for Melitta 10-12 Cup Replacement Coffee Carafe" published by Melitta 1997.

Primary Examiner—M. N. Pandozzi
Attorney, Agent, or Firm—Roger S. Dybvig

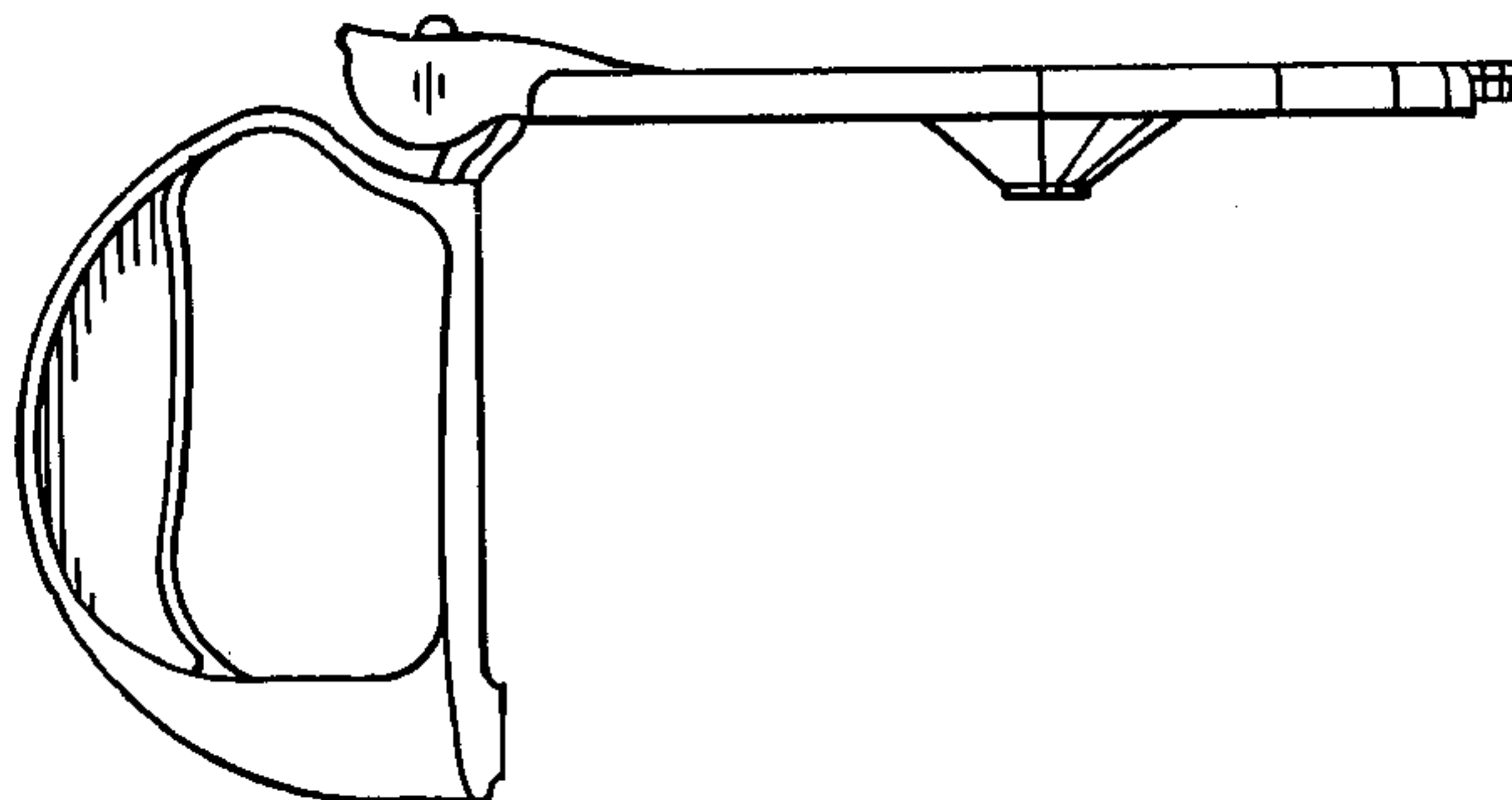
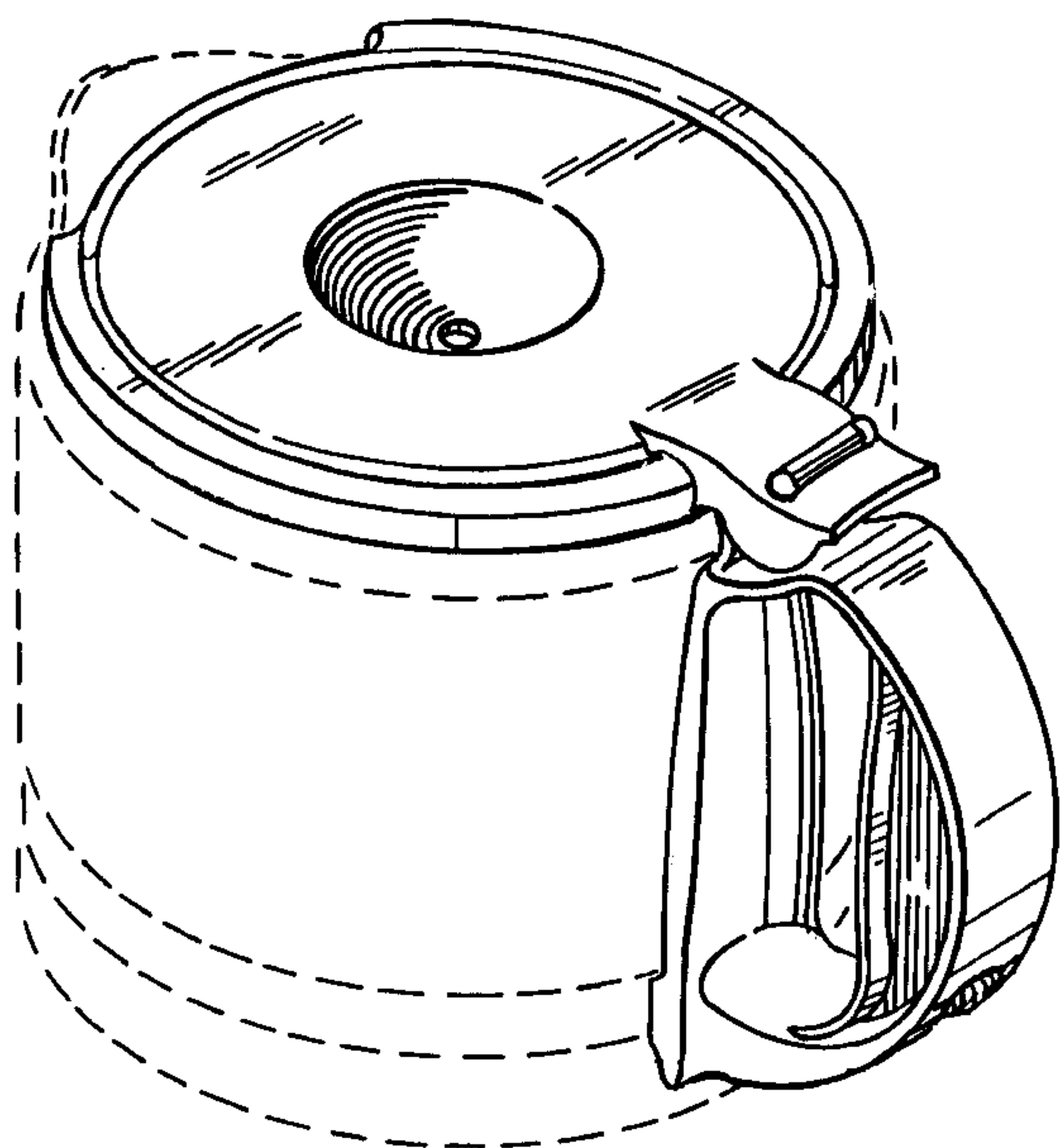
[57] CLAIM

The ornamental design for carafe handle and lid, as shown and described.

DESCRIPTION

FIG. 1 is a perspective view as seen from the top, front, and left side of a carafe handle and lid showing our new design; FIG. 2 is a top plan view thereof; FIG. 3 is a right side elevational view thereof, the left side elevational view being a mirror image of the right side elevational view; FIG. 4 is a front elevational view thereof; and, FIG. 5 is a rear elevational view thereof. The broken lines in FIG. 1 showing the carafe body and handle support are used for illustrative purposes only and form no part of the claimed design. The broken lines in FIG. 5 showing the portion of the handle located adjacent the carafe body are used for illustrative purposes only and forms no part of the claimed design because this surface of the handle is not shown during normal use.

1 Claim, 2 Drawing Sheets



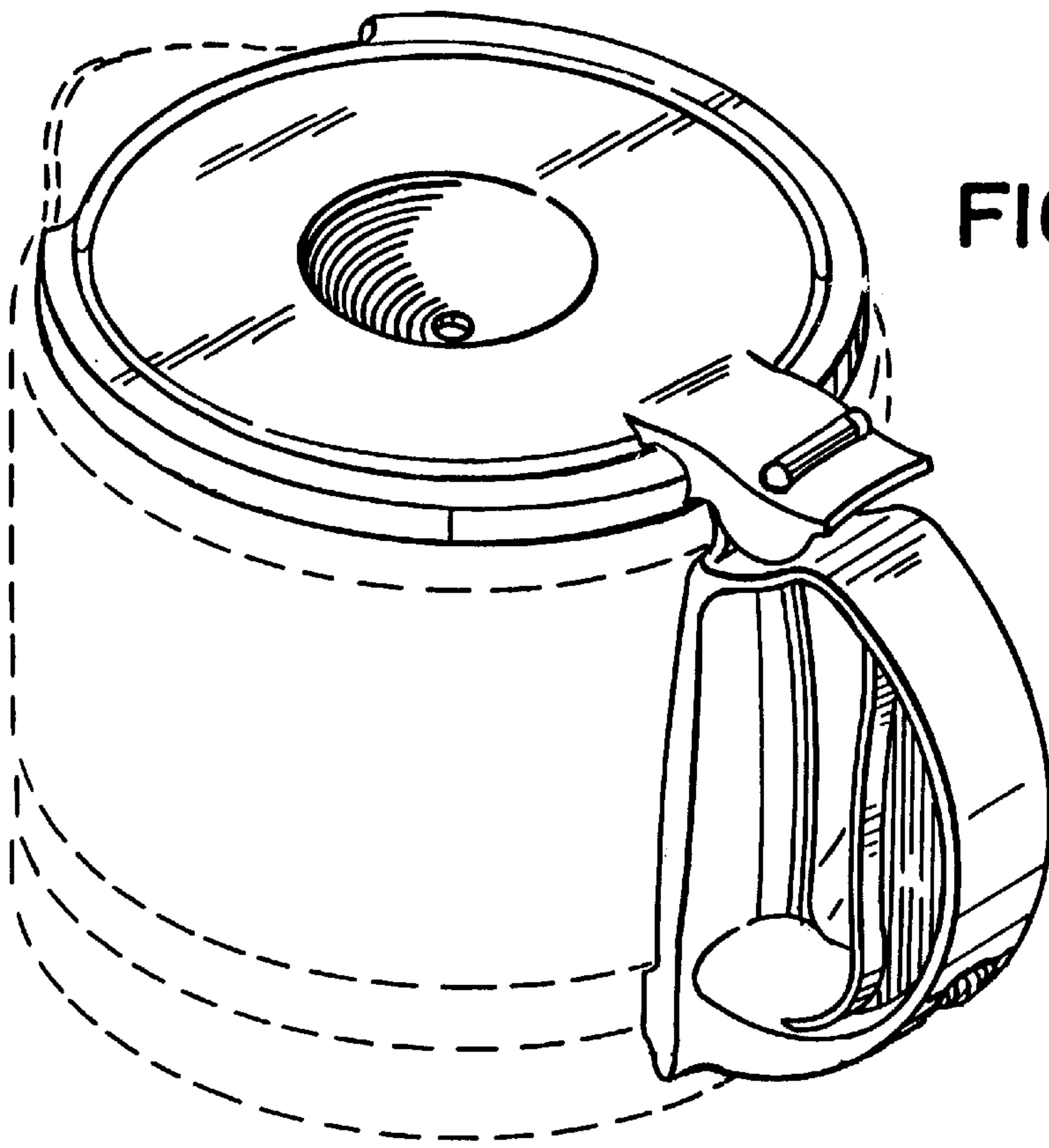


FIG-1

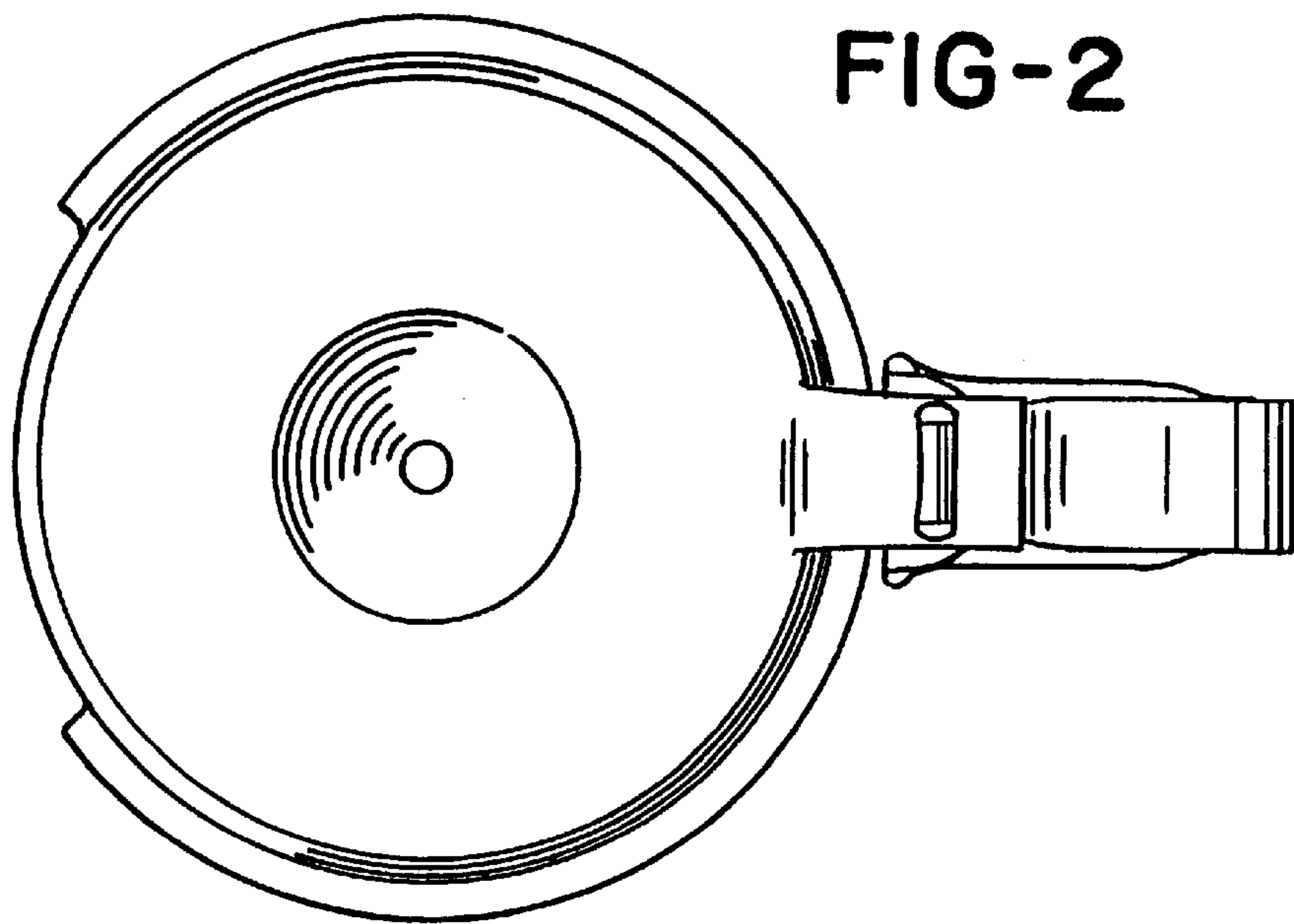


FIG-2

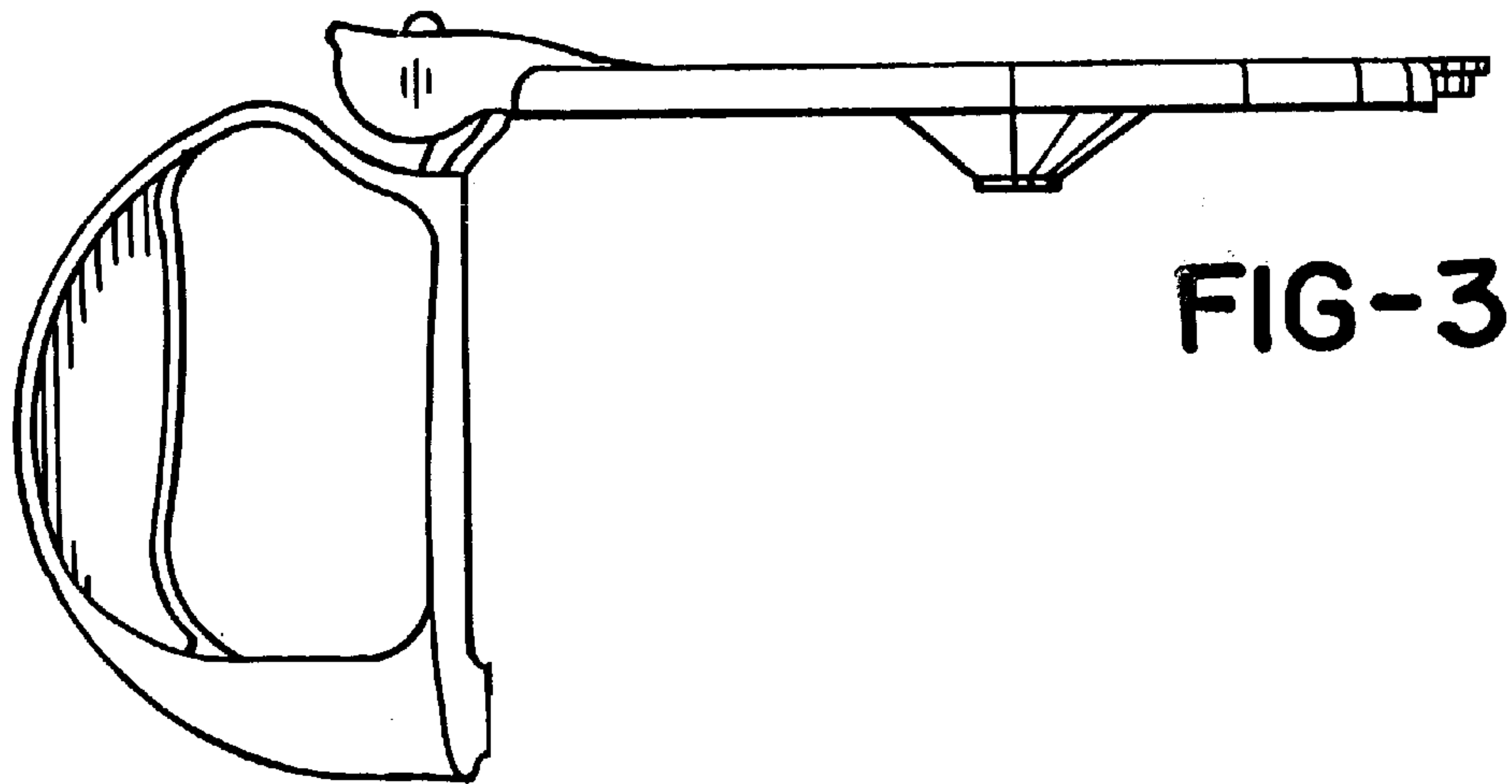


FIG-3

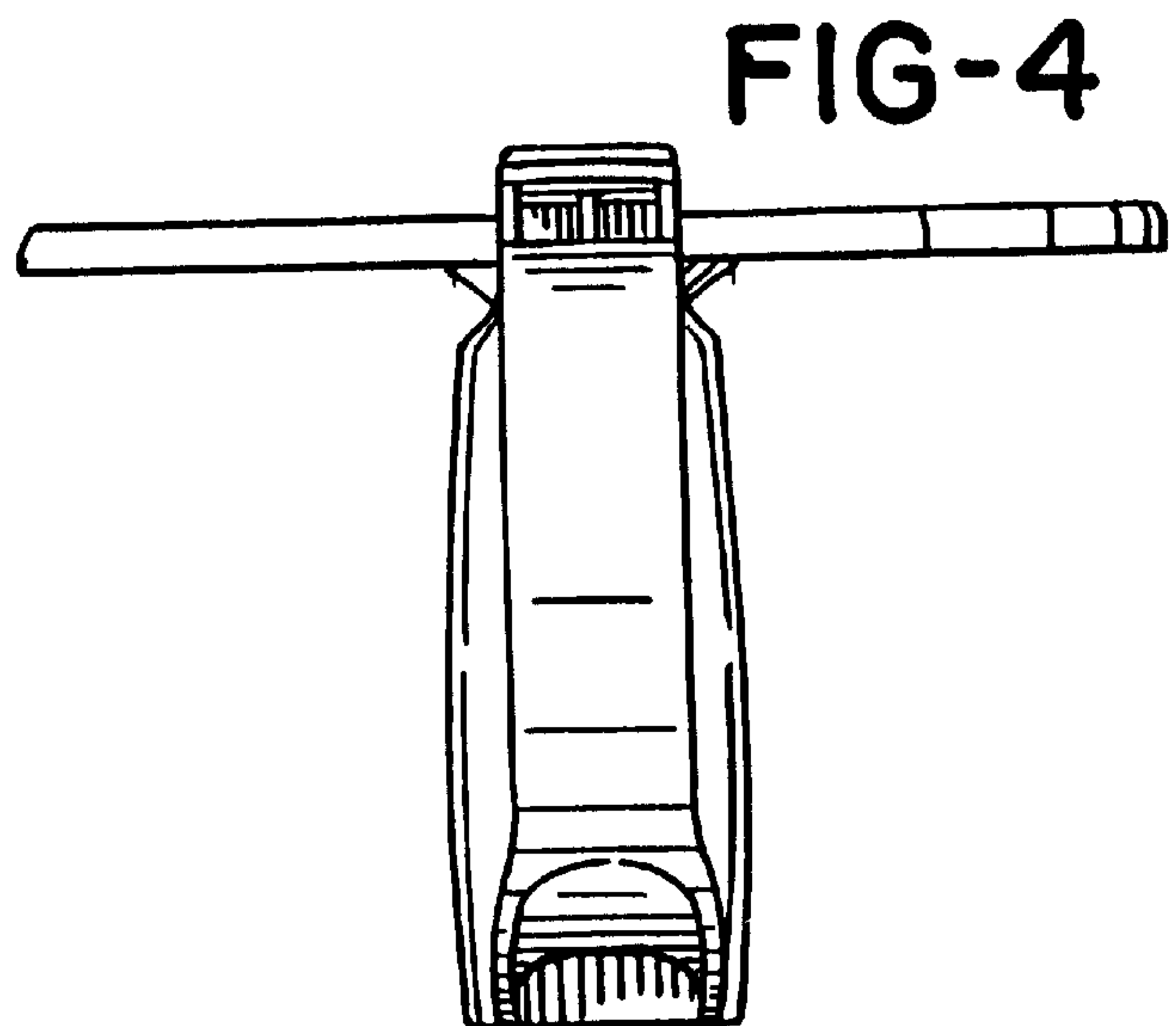


FIG-4

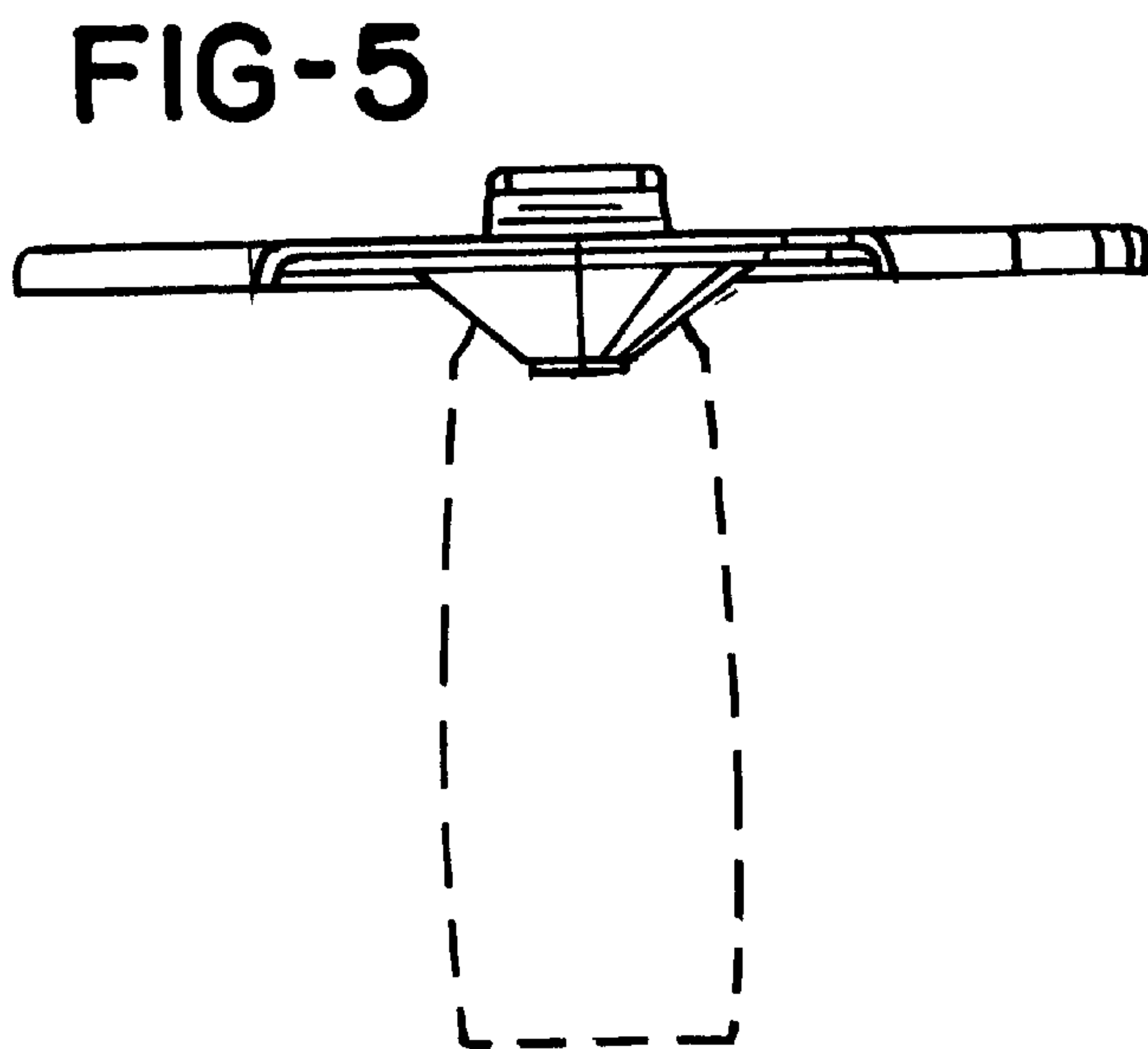


FIG-5