



US00D434597S

United States Patent [19] Yip

[11] Patent Number: **Des. 434,597**

[45] Date of Patent: **** Dec. 5, 2000**

[54] **FOOD PROCESSOR**

[76] Inventor: **Chung Lun Yip**, 3rd Floor, Blocks A&C, King Yip Factory Building, No. 59 King Yip Street, Kwun Tong, The Hong Kong Special Administrative Region of the People's Republic of China

[**] Term: **14 Years**

[21] Appl. No.: **29/101,715**

[22] Filed: **Mar. 10, 1999**

[30] **Foreign Application Priority Data**

Oct. 2, 1998 [GB] United Kingdom 2078157

[51] **LOC (7) Cl.** **31-00**

[52] **U.S. Cl.** **D7/384**

[58] **Field of Search** D7/376-386, 412;
366/242, 247, 244, 279, 129, 130, 197,
199, 204, 205, 314, 149; 241/282.1, 282.2,
92, 93

[56] **References Cited**

U.S. PATENT DOCUMENTS

D. 361,694 8/1995 Wong D7/384
D. 395,194 6/1998 Wong D7/384

Primary Examiner—Caron D. Veynar
Attorney, Agent, or Firm—Ladas & Parry

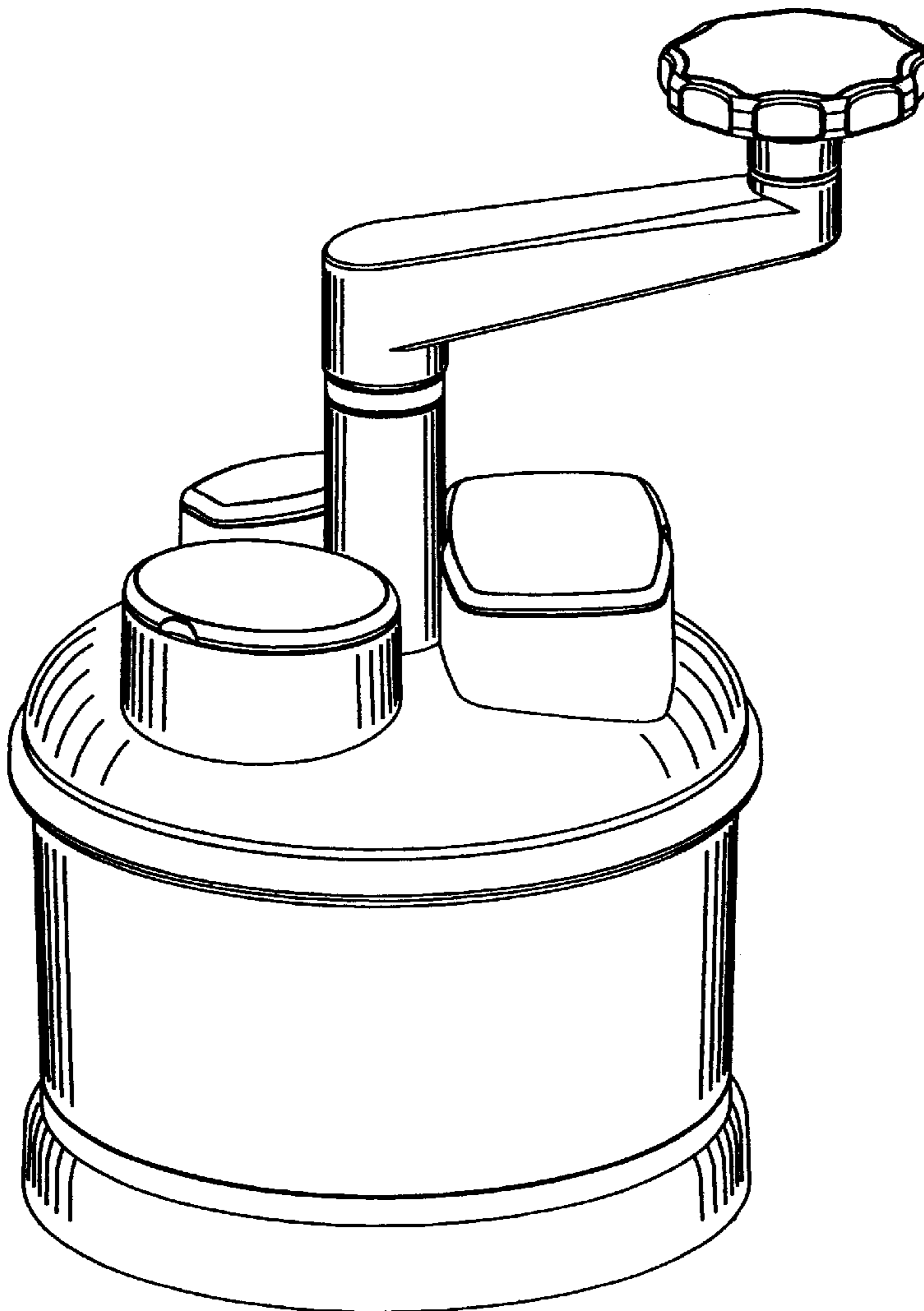
[57] **CLAIM**

The ornamental design for food processor, as shown.

DESCRIPTION

FIG. 1 is a right side elevation view of a food processor;
FIG. 2 is a rear elevation view thereof;
FIG. 3 is a left side elevation view thereof;
FIG. 4 is a front elevation view thereof;
FIG. 5 is a bottom, right and front perspective view thereof;
FIG. 6 is a front, top and right side perspective view thereof;
and,
FIG. 7 is a bottom plan view thereof.

1 Claim, 7 Drawing Sheets



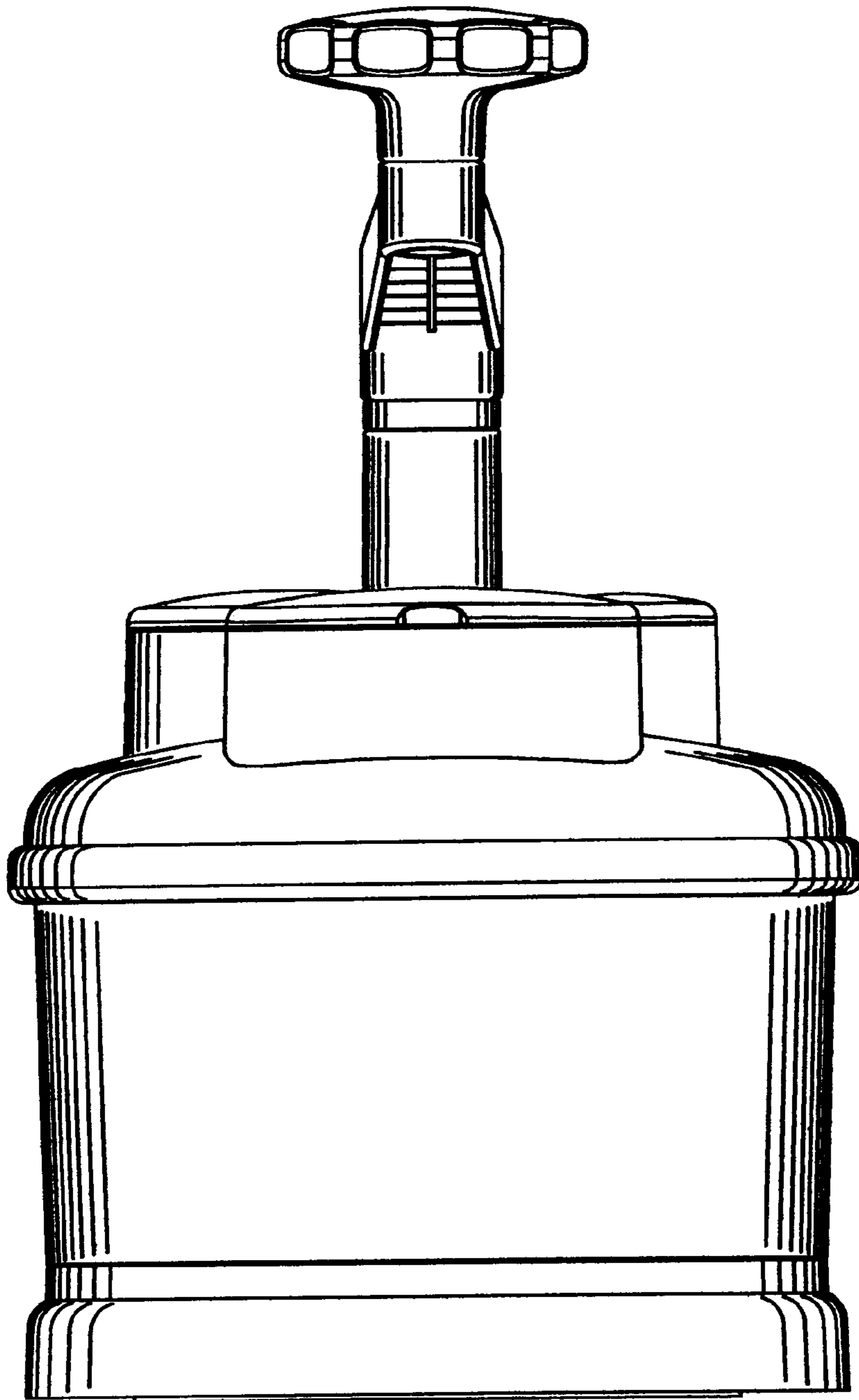


Fig 1

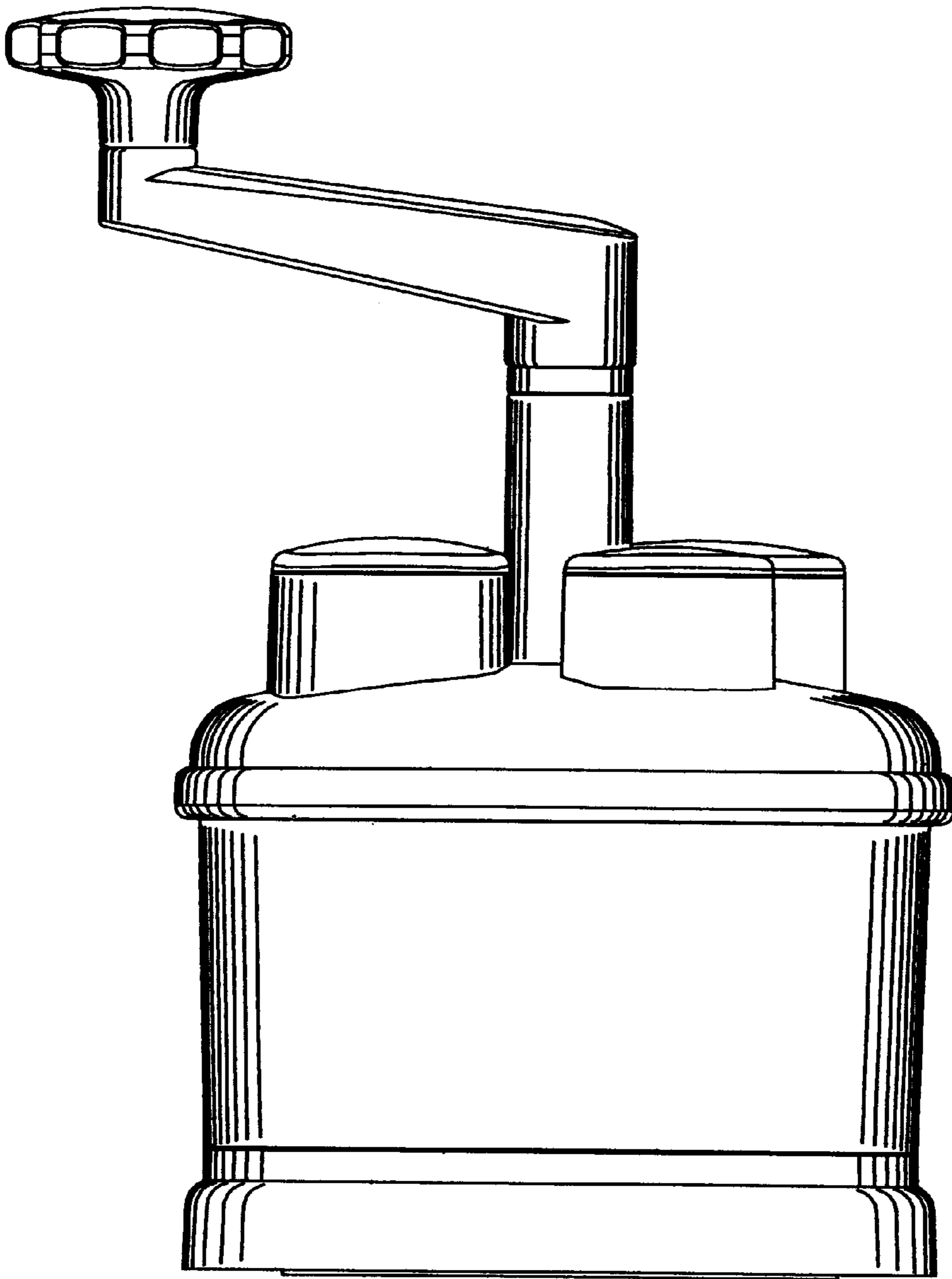


Fig 2

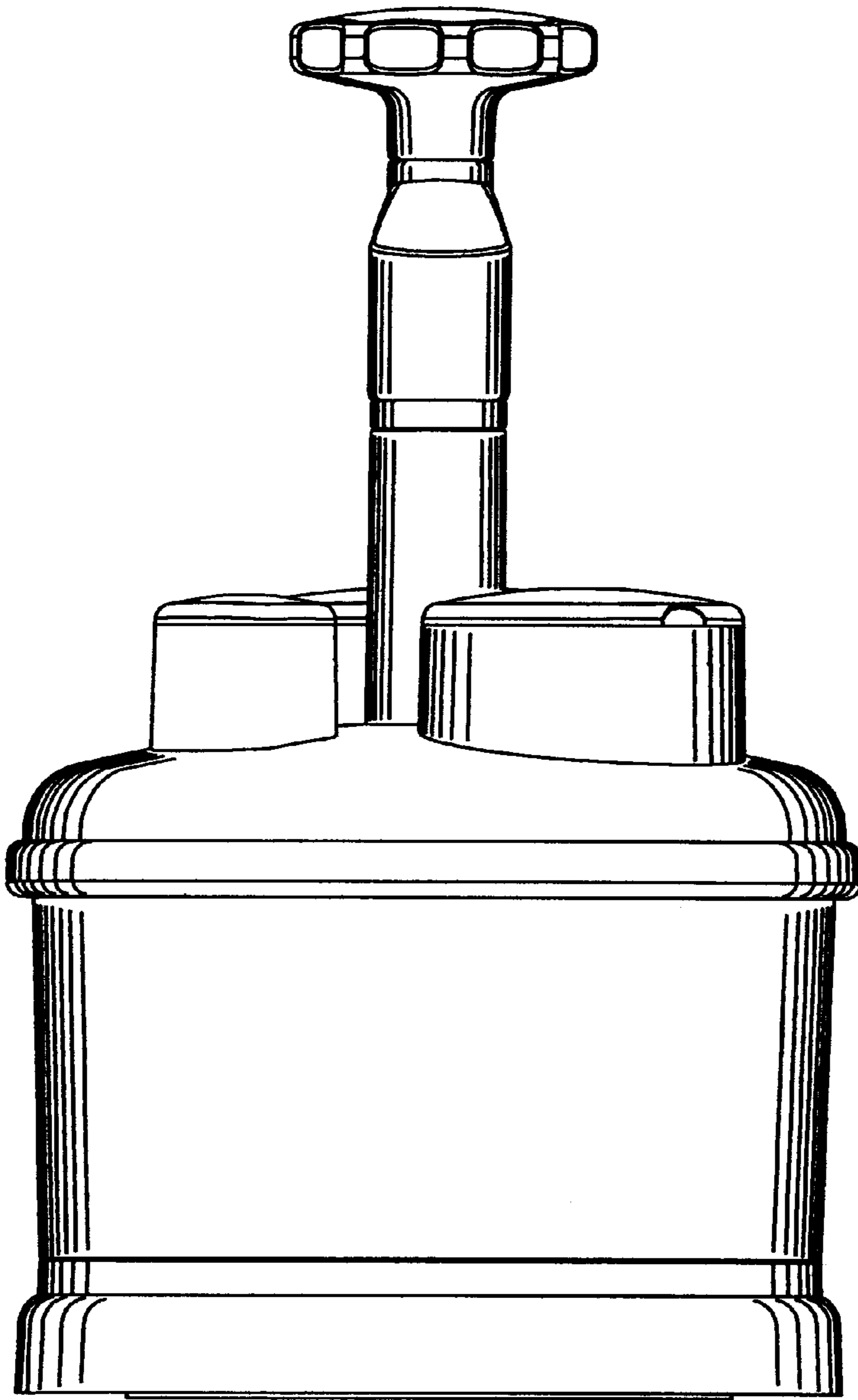


Fig 3

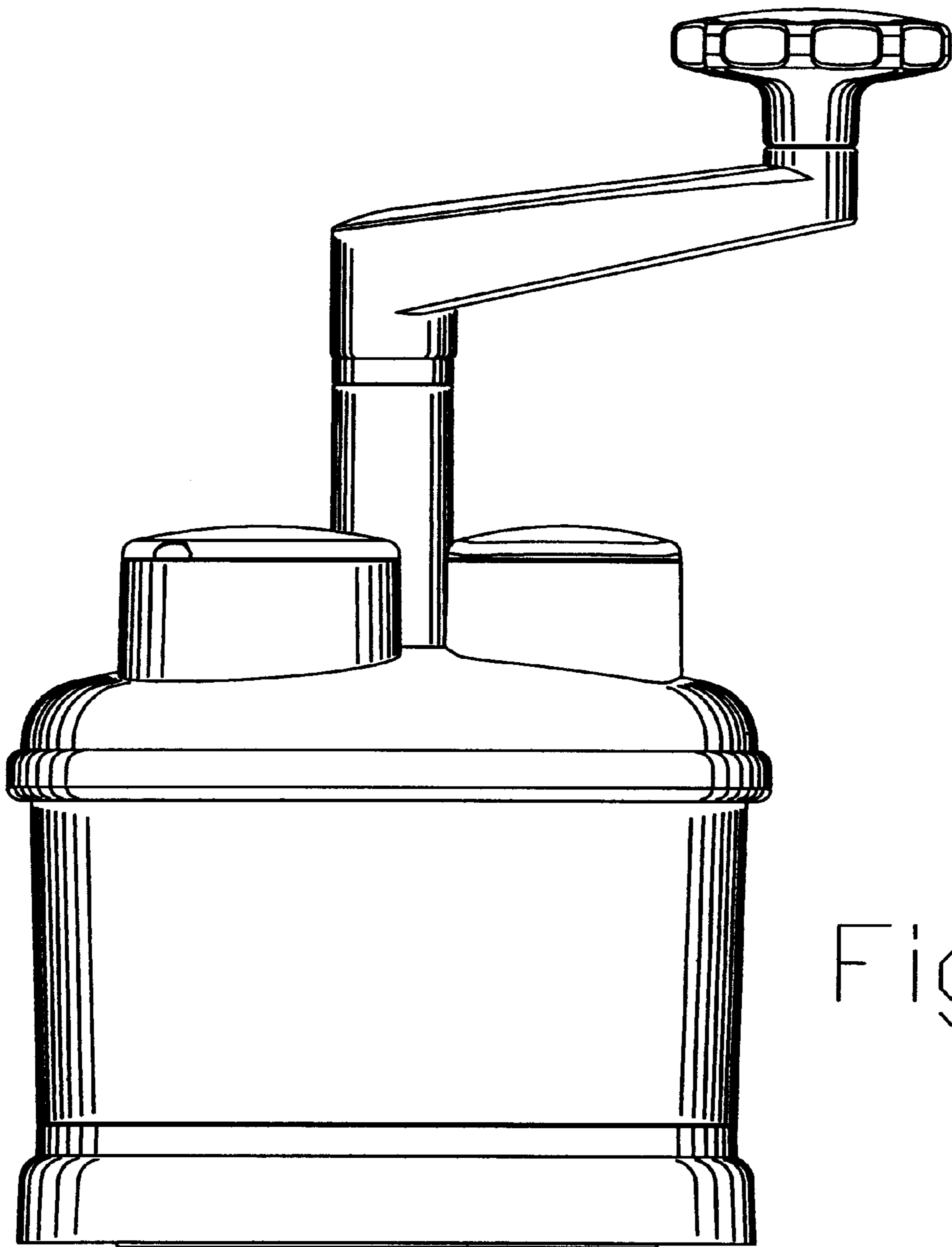


Fig 4

FIG. 5

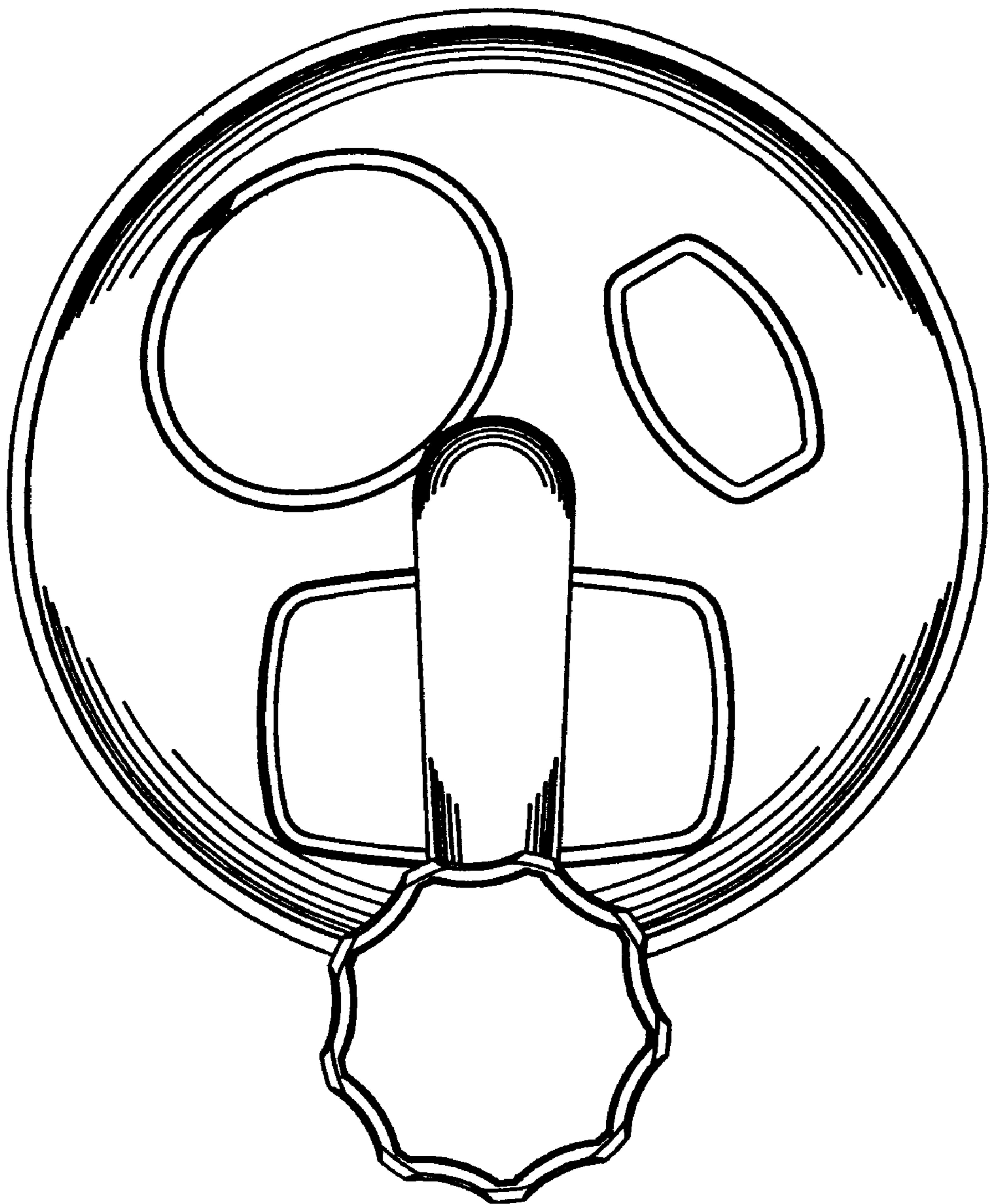
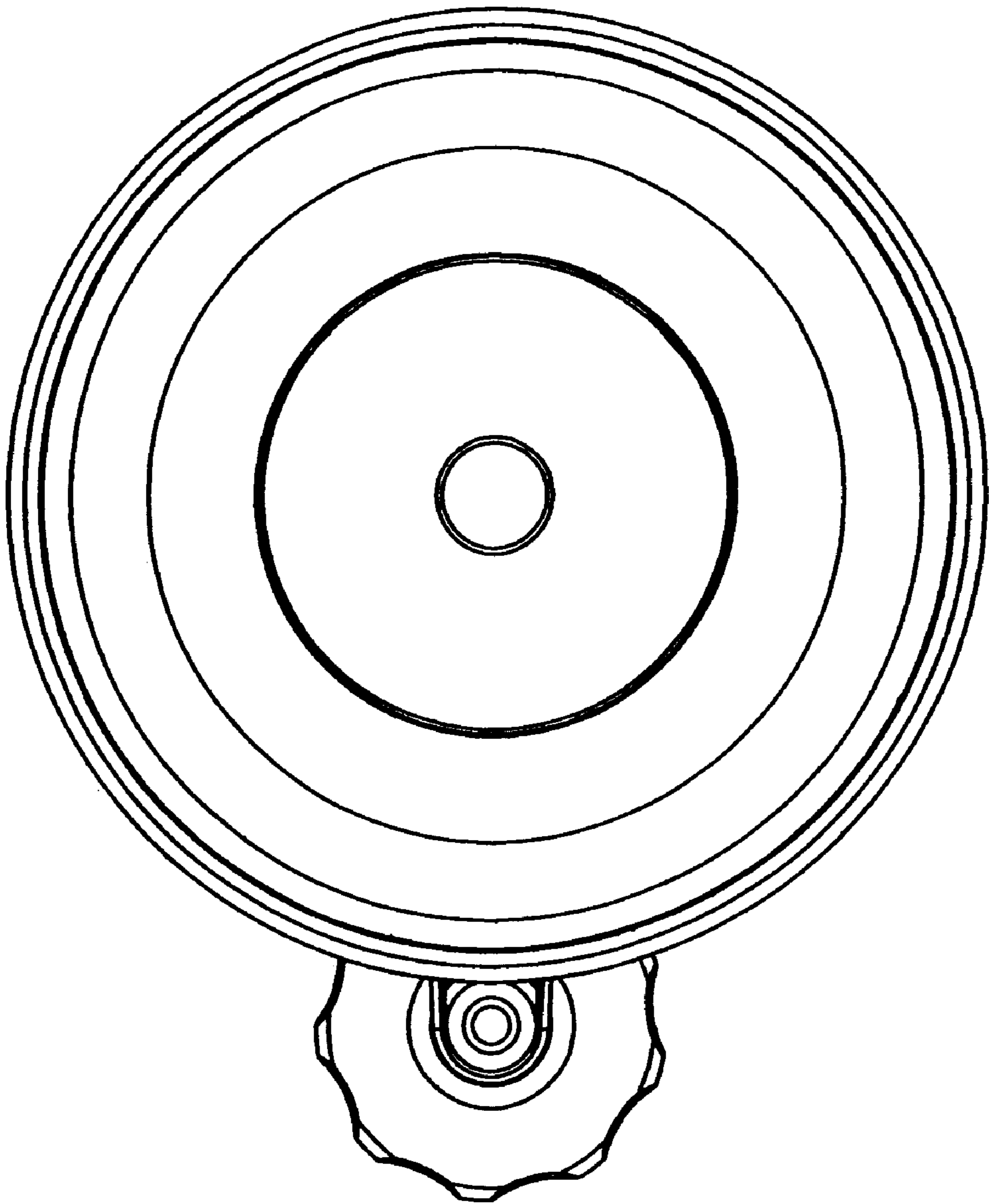


FIG. 6



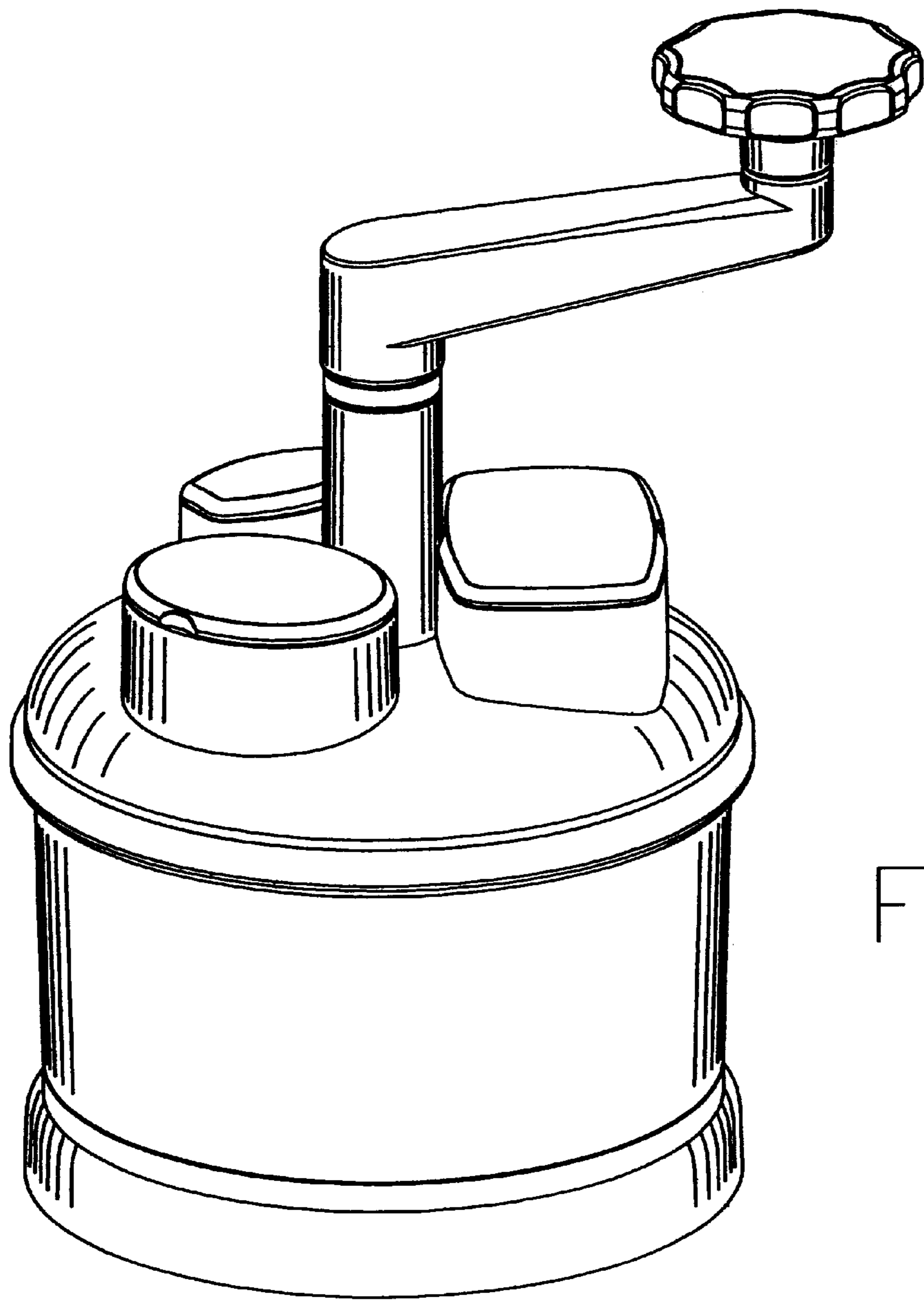


Fig 7