



US00D434596S

United States Patent [19]

Naft et al.

[11] Patent Number: Des. 434,596

[45] Date of Patent: ** Dec. 5, 2000

[54] **ELECTRIC BLENDER**

[75] Inventors: **Stuart Naft**, Fairfield; **Joseph Toro**, Stratford; **Glen Nielsen**, Kent, all of Conn.

[73] Assignee: **HP Intellectual Corp.**, Wilmington, Del.

[**] Term: **14 Years**

[21] Appl. No.: **29/117,221**

[22] Filed: **Jan. 19, 2000**

[51] **LOC (7) Cl.** **31-00**

[52] **U.S. Cl.** **D7/378**

[58] **Field of Search** D7/376-386; 366/64, 366/65, 197, 199, 241, 349; 241/33, 101.01, 285.1, 285.2, 301

[56] **References Cited**

U.S. PATENT DOCUMENTS

D. 200,285	2/1965	Madl	D7/386
D. 204,117	3/1966	Di Sesa	D7/378
D. 215,782	10/1969	Steinkamp	D7/386
D. 216,237	12/1969	Levin	D7/386
D. 220,416	4/1971	Folden	D7/413
D. 242,208	11/1976	Madl et al.	D7/386
D. 337,240	7/1993	Levin	D7/386
D. 339,715	9/1993	Barrault	D7/378
D. 347,144	5/1994	Brady	D7/413
D. 349,423	8/1994	Burgel	D7/378
D. 363,190	10/1995	Brady	D7/386
D. 369,512	5/1996	Brady	D7/386

D. 373,504	9/1996	Leverrier	D7/378
D. 386,357	11/1997	Davidson	D7/413
D. 387,948	12/1997	Leverrier	D7/378
D. 390,416	2/1998	Hippen et al.	D7/413
D. 394,986	6/1998	Lallemant	D7/378
D. 396,167	7/1998	Cruz	D7/386
D. 396,990	8/1998	Leverrier	D7/378
D. 400,757	11/1998	Hippen et al.	D7/378
D. 403,202	12/1998	Cousins	D7/378
D. 404,247	1/1999	Spagnolo	D7/378
D. 404,606	1/1999	Huang	D7/378
D. 409,446	5/1999	St. John et al.	D7/413 X
D. 412,809	8/1999	Toro et al.	D7/378
D. 415,384	10/1999	Littmann	D7/378
D. 417,581	12/1999	Barthelemy et al.	D7/378
D. 417,815	12/1999	Endres	D7/386
2,940,738	6/1960	Posener et al.	..	

Primary Examiner—Caron D. Veynar
Attorney, Agent, or Firm—Barry E. Deutsch

[57] **CLAIM**

The ornamental design for an electric blender, as shown and described.

DESCRIPTION

FIG. 1 is a perspective view, taken from the front, top, and right side, of an electric blender, illustrating our new design; FIG. 2 is a bottom plan view thereof; FIG. 3 is a top plan view thereof; FIG. 4 is a front elevation view thereof; FIG. 5 is a rear elevation view thereof; FIG. 6 is a left side elevation view thereof; and, FIG. 7 is a right side elevation view thereof.

1 Claim, 6 Drawing Sheets

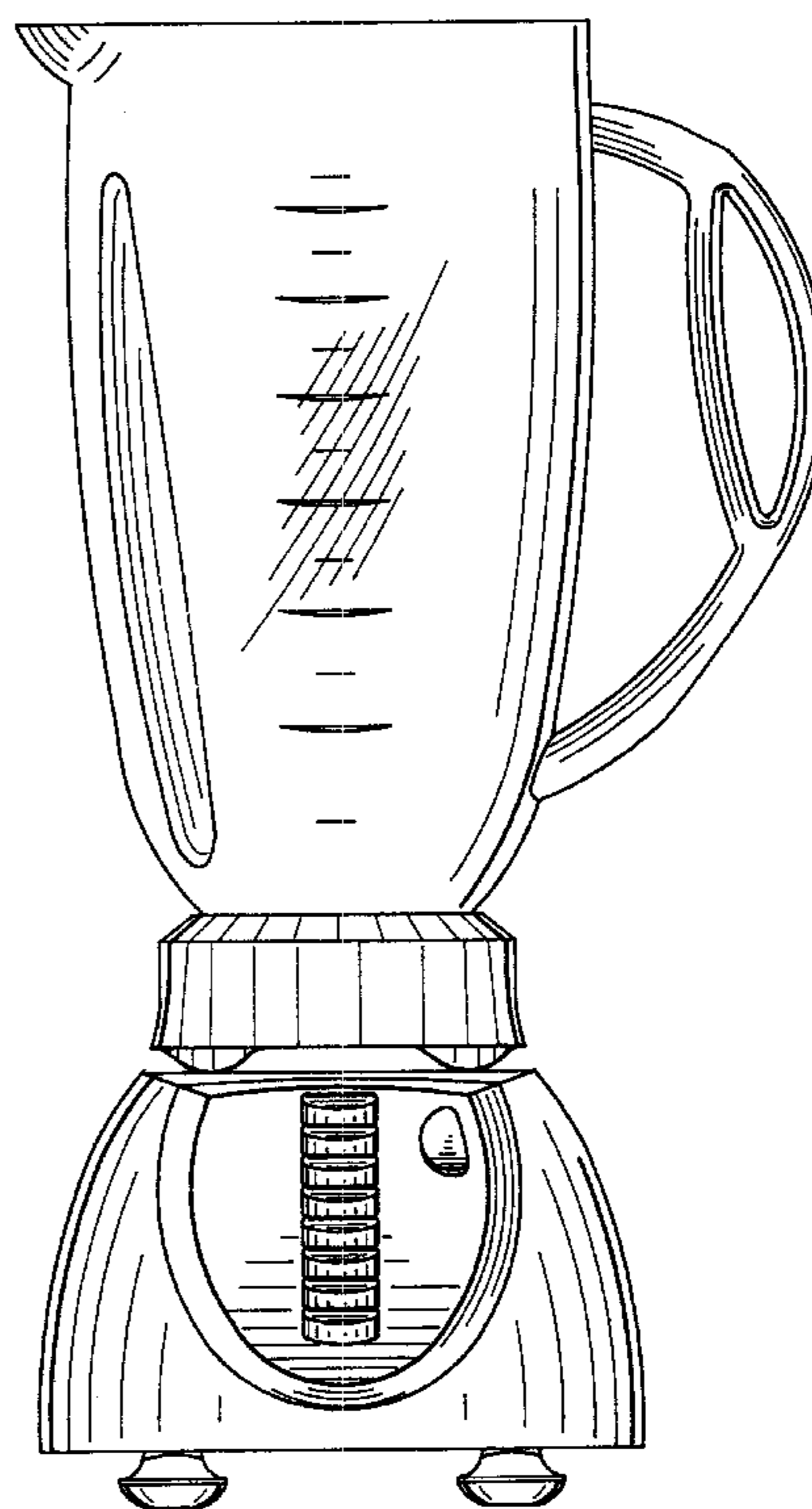
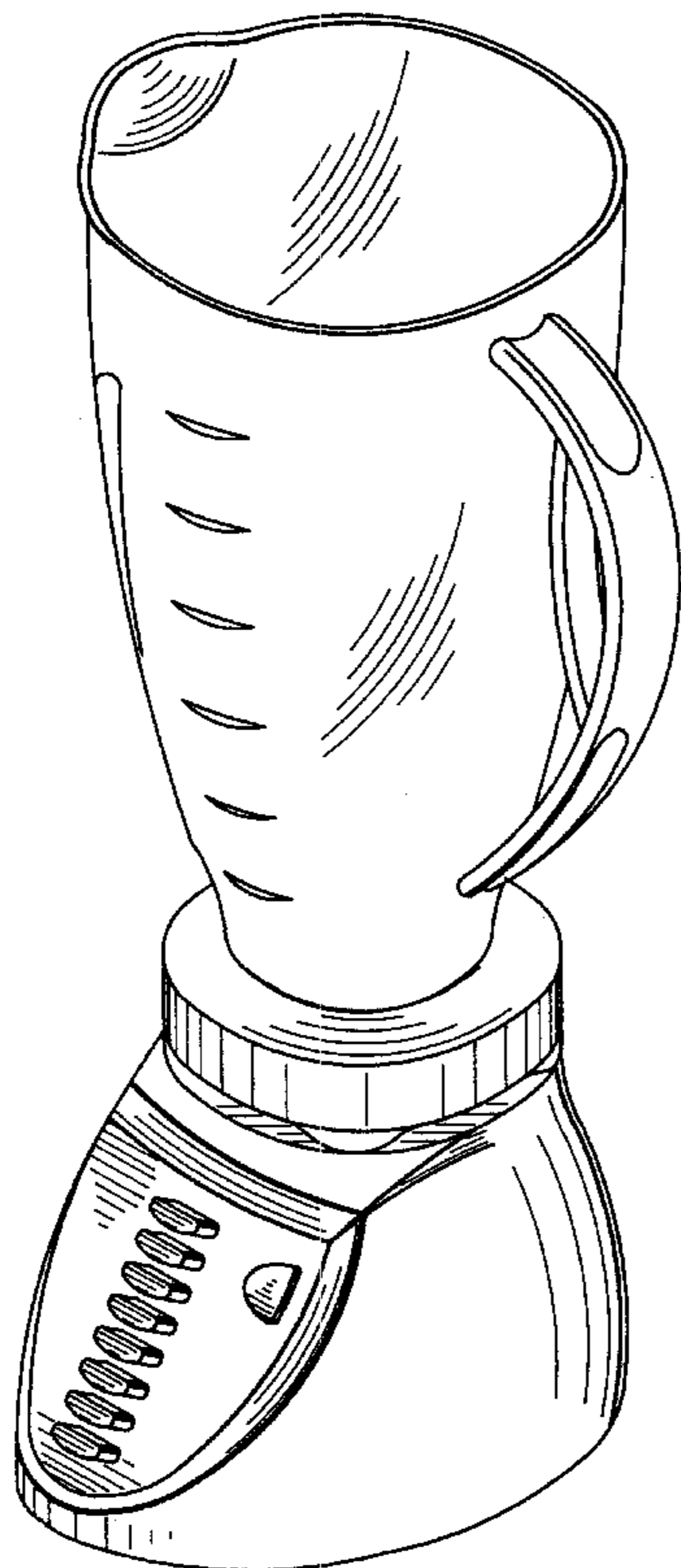
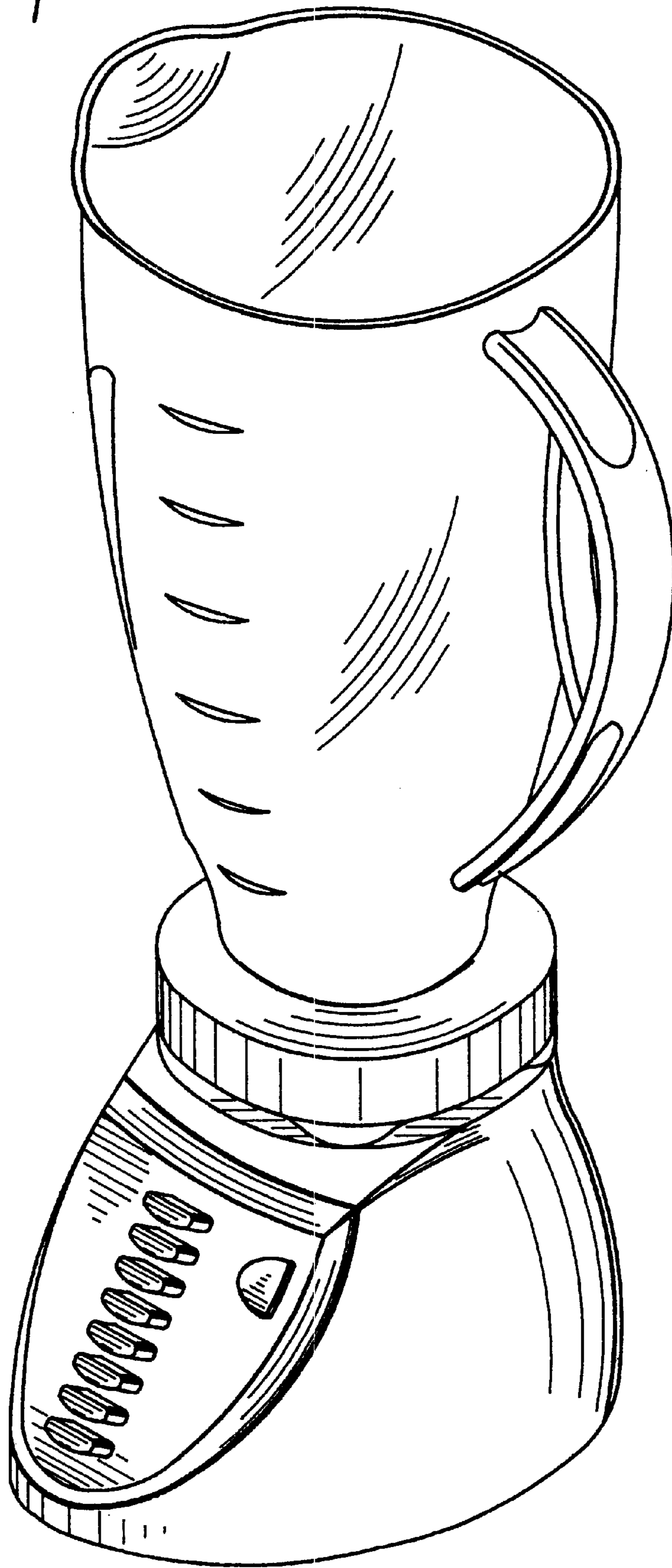


FIG. 1



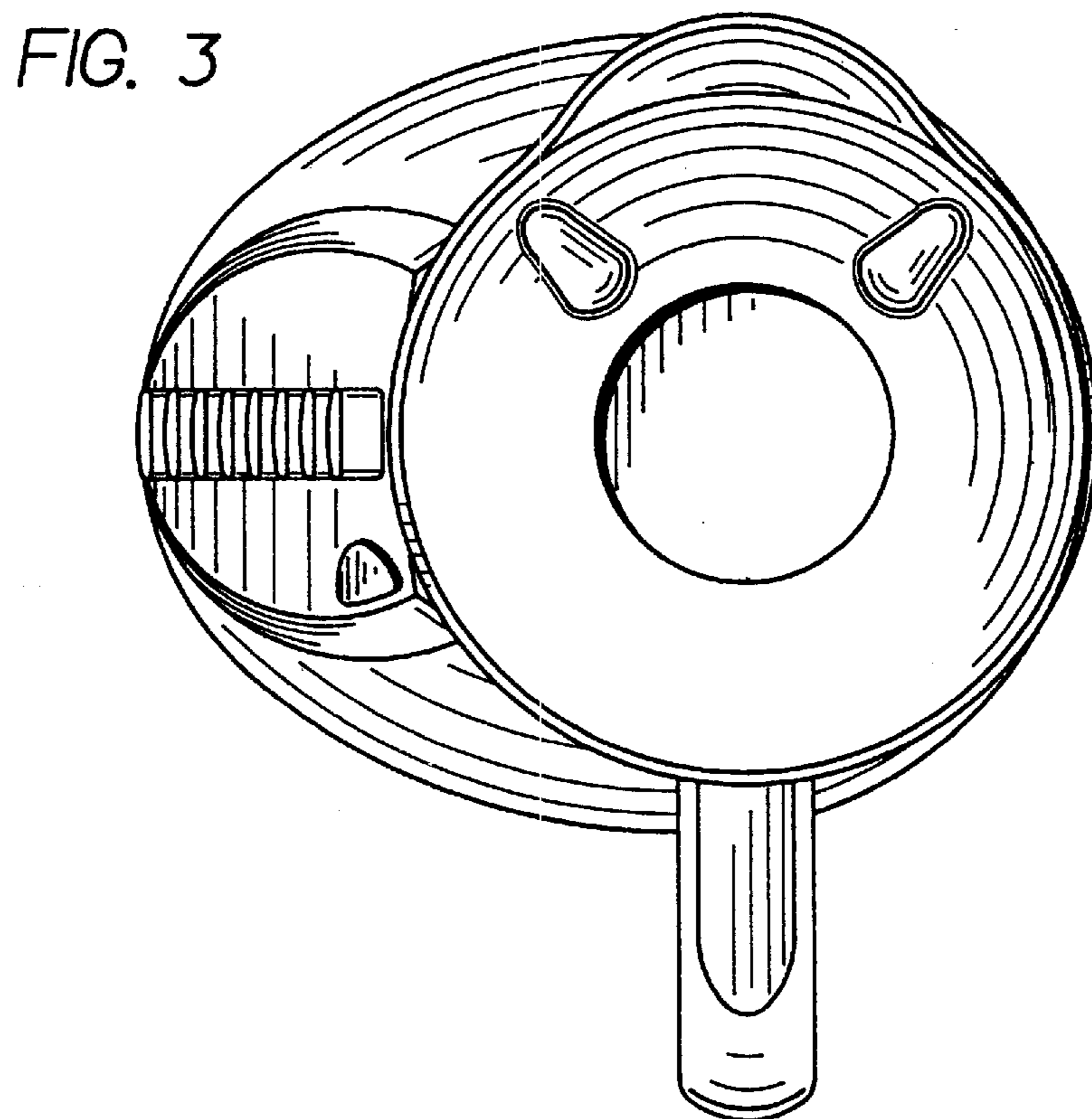
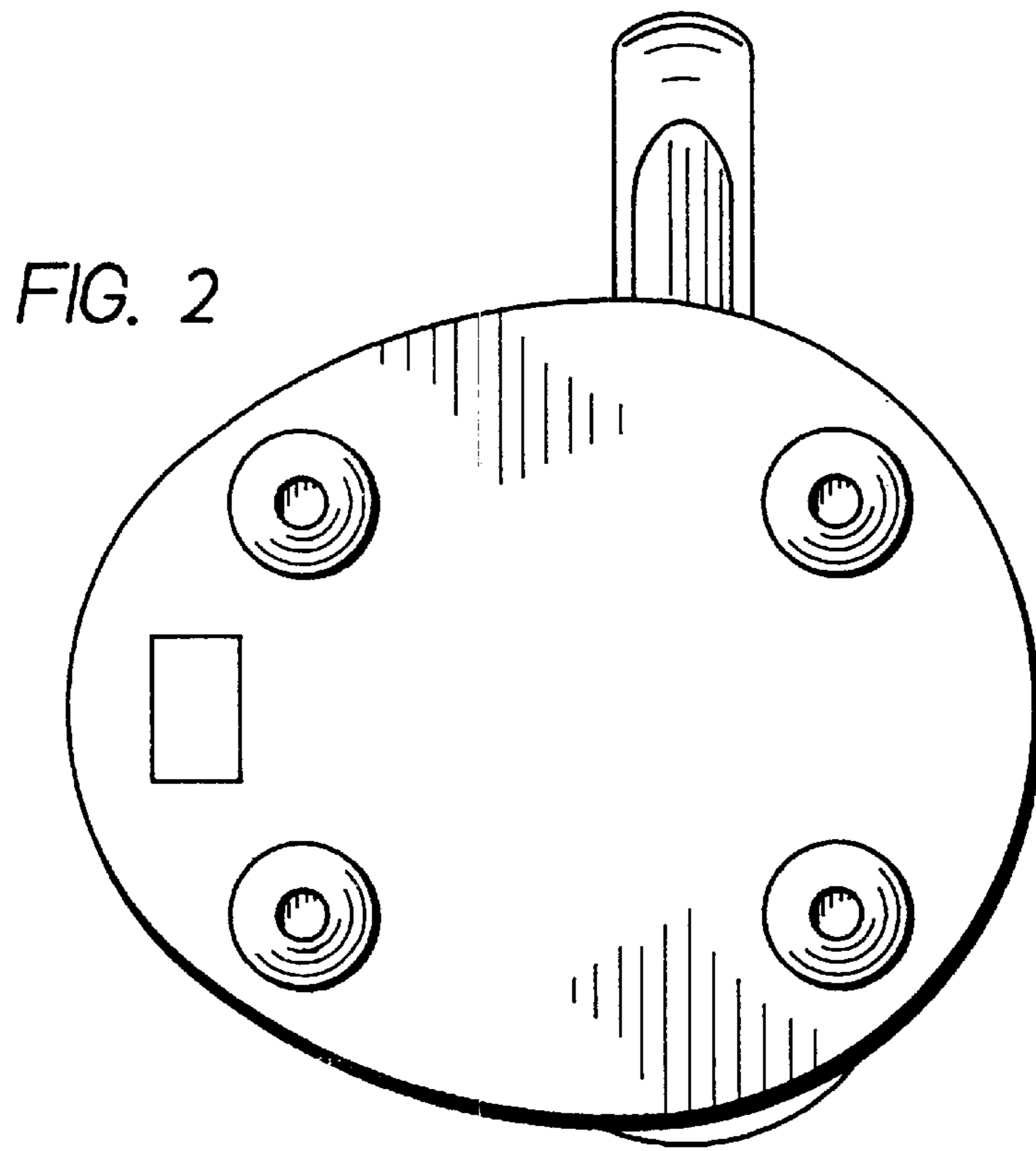


FIG. 4

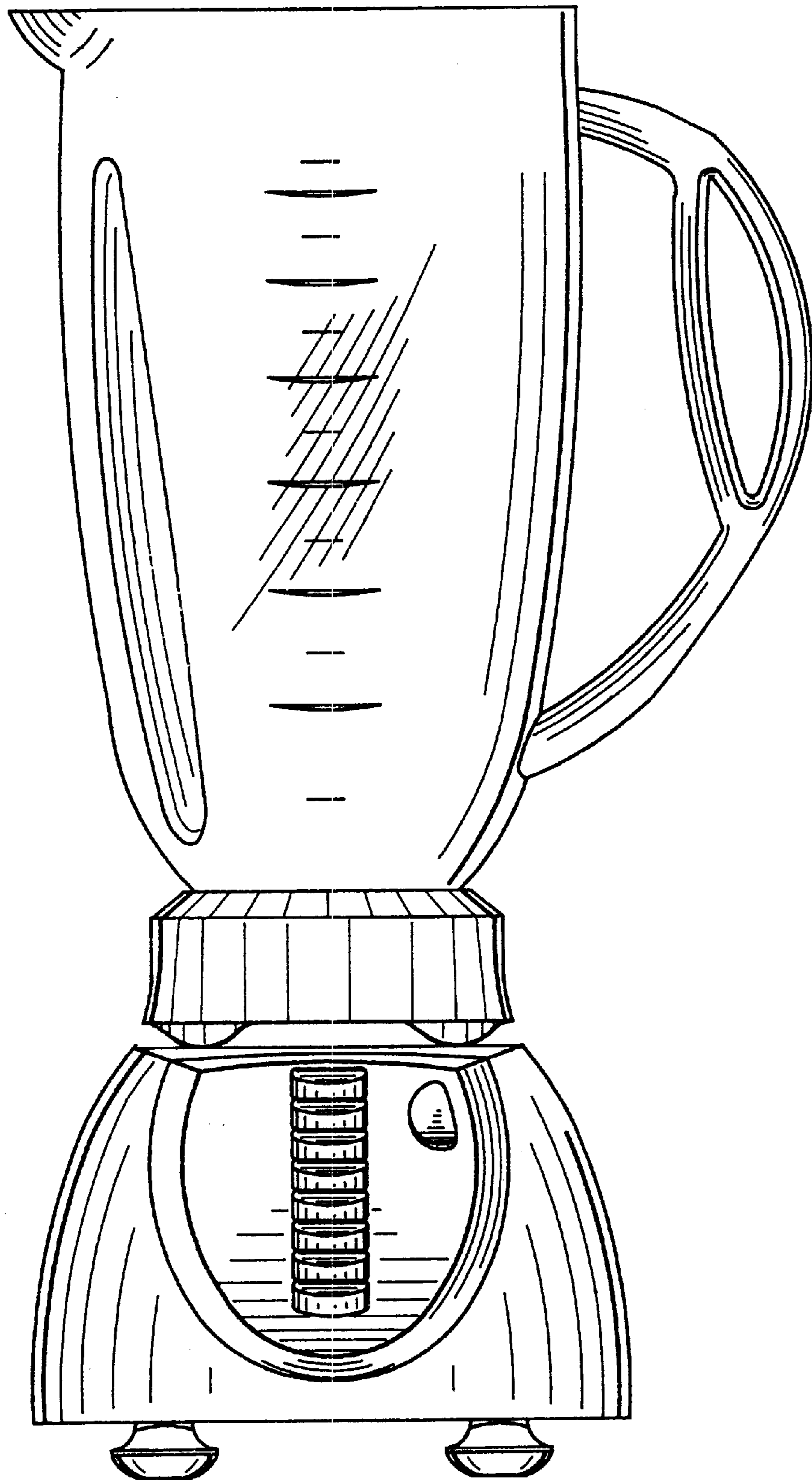


FIG. 5

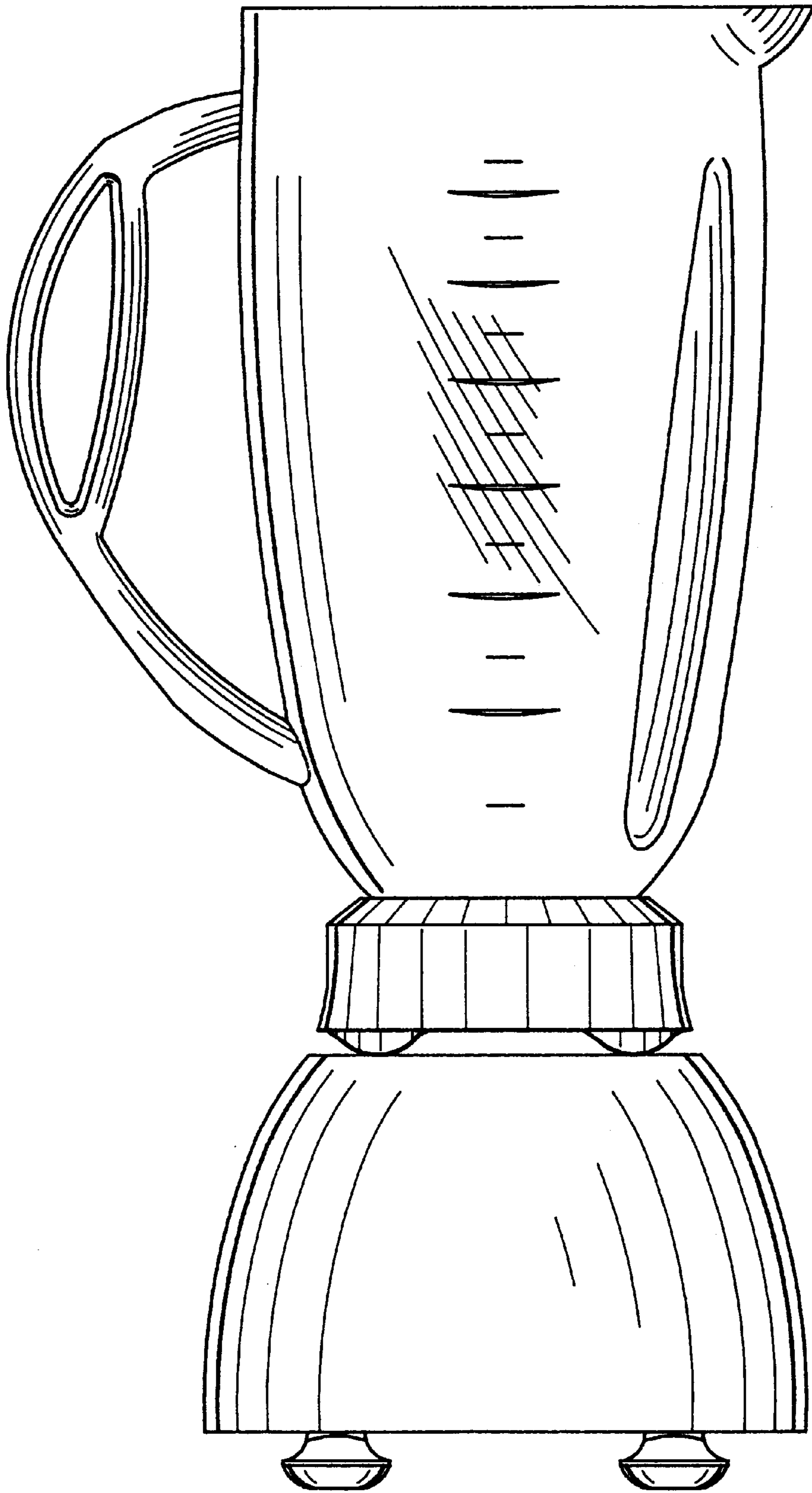


FIG. 6

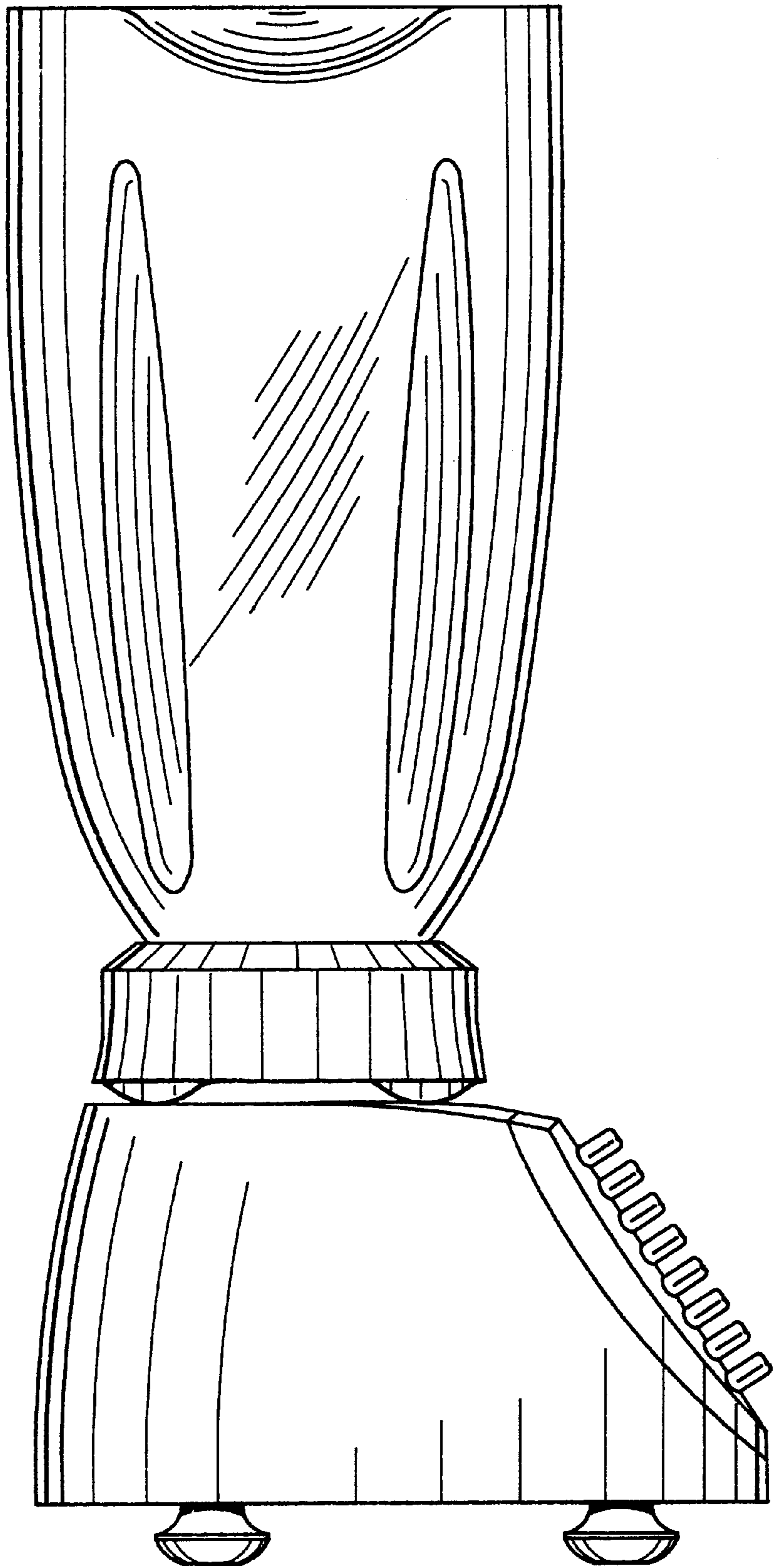


FIG. 7

