



US00D434591S

# United States Patent [19]

Goodman et al.

[11] Patent Number: **Des. 434,591**

[45] Date of Patent: **\*\* Dec. 5, 2000**

[54] **COMPACT DISC HOLDER**

[75] Inventors: **Sheldon H. Goodman**, 30905 Stratford, Solon, Ohio 44139; **Brian Stelmarski**, Mayfield Heights, Ohio

[73] Assignee: **Sheldon H. Goodman**, Solon, Ohio

[\*\*] Term: **14 Years**

[21] Appl. No.: **29/119,927**

[22] Filed: **Mar. 10, 2000**

[51] **LOC (7) Cl.** ..... **06-04**

[52] **U.S. Cl.** ..... **D6/629**

[58] **Field of Search** ..... D6/407, 626-630, D6/462-468, 450, 457, 473-476, 556-567, 570-572, 553; 312/9.1-9.64; D19/90; D32/55, 58; 211/40, 41.1, 41.2, 41.3, 41.4, 42, 41.12, 44, 41.18, 48, 181.1; 206/307.1, 307, 308.1, 445, 387.15, 454, 387.1, 425

[56] **References Cited**

**U.S. PATENT DOCUMENTS**

D. 154,415	7/1949	Moran	.....	D6/537
D. 160,015	9/1950	Rauch et al.	.....	D6/407
D. 180,955	9/1957	Lyons	.....	D6/407
D. 209,455	12/1967	Clark	.....	D6/407
D. 231,178	4/1974	Wright	.....	D6/407
D. 247,344	2/1978	Smith	.....	D23/398
D. 260,227	8/1981	Bentson	.....	D7/409
D. 267,464	1/1983	Hassett et al.	.....	D23/398
D. 278,196	4/1985	Koves	.....	D6/465
D. 292,860	11/1987	Motta	.....	D6/566
D. 297,489	9/1988	Chap et al.	.....	D6/462
D. 311,834	11/1990	Grey	.....	D6/514
D. 329,954	10/1992	Sharon et al.	.....	D6/462
D. 353,400	12/1994	Goodman et al.	.....	D19/90

D. 358,507	5/1995	Goodman et al.	.....	D6/462
D. 396,597	8/1998	Hollinger	.....	D6/629
2,205,064	6/1940	Irwin	.....	211/40 X
2,238,451	4/1941	Roth	.....	211/40
3,245,736	4/1966	Douthit	.....	312/9.53
4,069,808	1/1978	Cranberg	.....	126/541
4,484,538	11/1984	Sarkozy et al.	.....	211/40

*Primary Examiner*—Jeffrey Asch  
*Attorney, Agent, or Firm*—Pearne & Gordon LLP

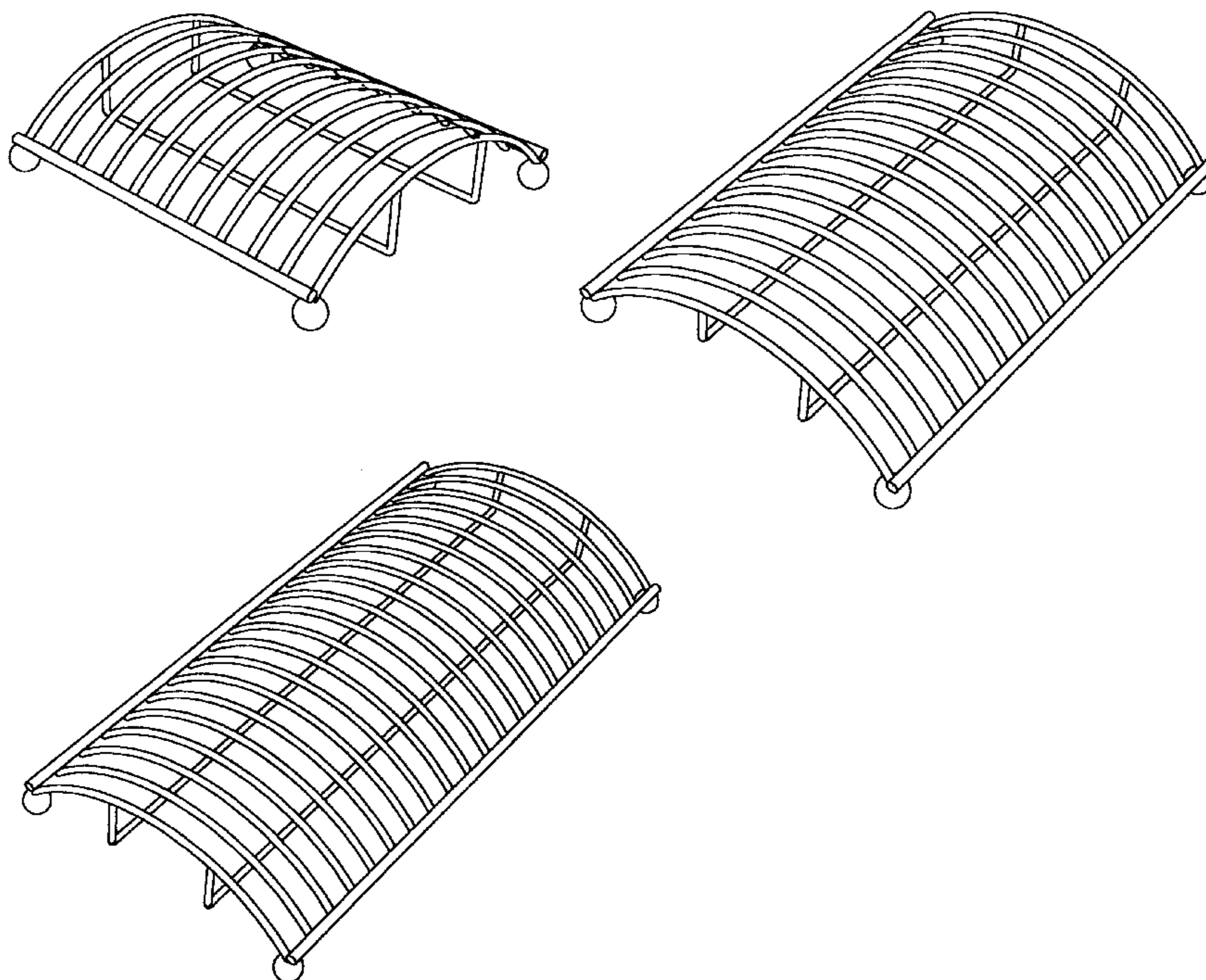
[57] **CLAIM**

The ornamental design for a compact disc holder, as shown and described.

**DESCRIPTION**

FIG. 1 is a top, front and side perspective view of a 10-disc compact disc holder showing our new design;  
 FIG. 2 is a front elevational view thereof;  
 FIG. 3 is a side elevational view thereof;  
 FIG. 4 is a top plan view thereof;  
 FIG. 5 is a bottom plan view thereof;  
 FIG. 6 is a top, front, and side perspective view of a second embodiment of a compact disc holder, showing a 15-disc compact disc holder;  
 FIG. 7 is a front elevational view thereof;  
 FIG. 8 is a side elevational view thereof;  
 FIG. 9 is a top plan view thereof;  
 FIG. 10 is a bottom plan view thereof;  
 FIG. 11 is a top, front, and side perspective view of a third embodiment of a compact disc holder, showing a 20-disc compact disc holder;  
 FIG. 12 is a front elevational view thereof;  
 FIG. 13 is a side elevational view thereof;  
 FIG. 14 is a top plan view thereof; and,  
 FIG. 15 is a bottom plan view thereof.

**1 Claim, 3 Drawing Sheets**



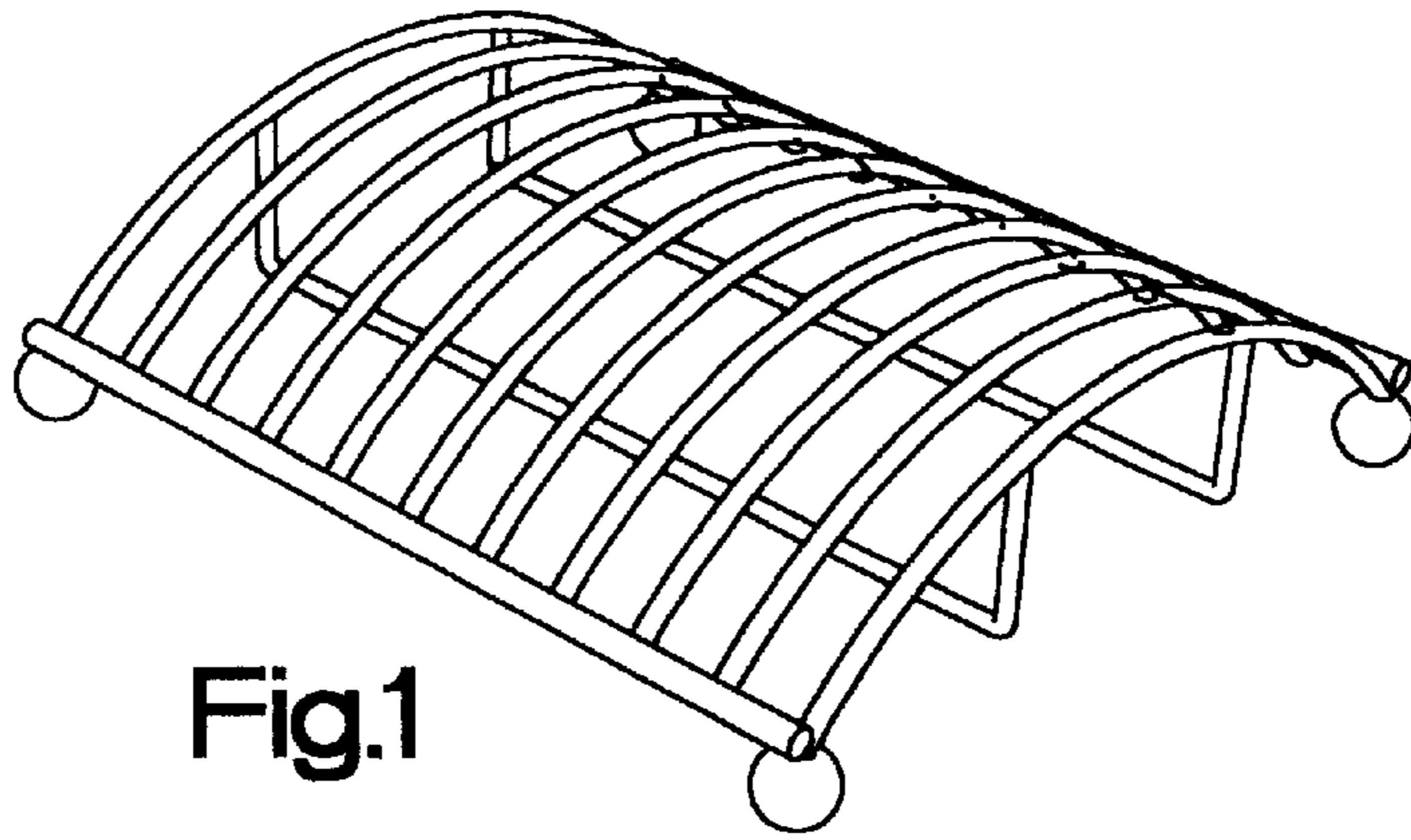


Fig.1



Fig.2



Fig.3

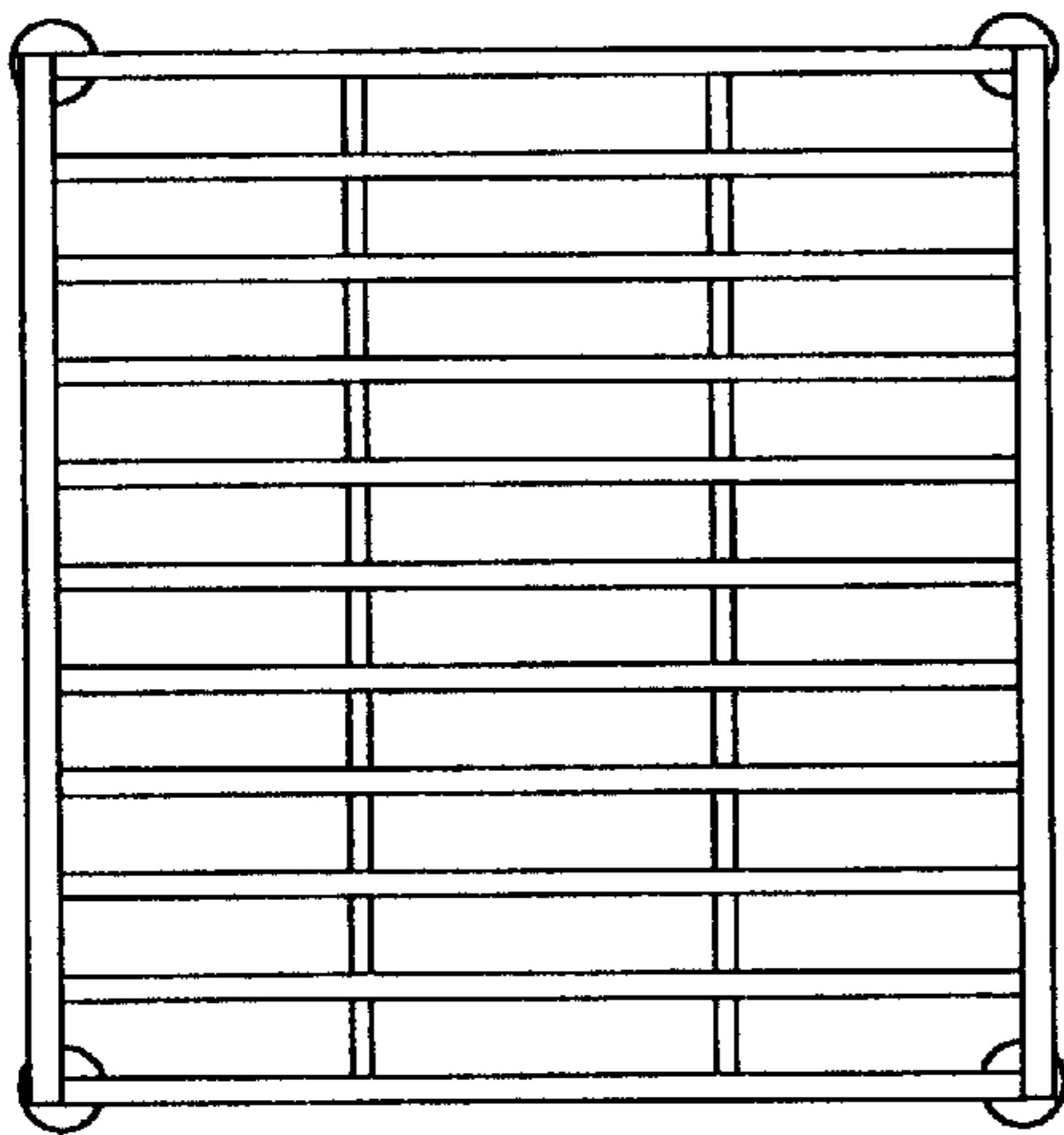


Fig.4

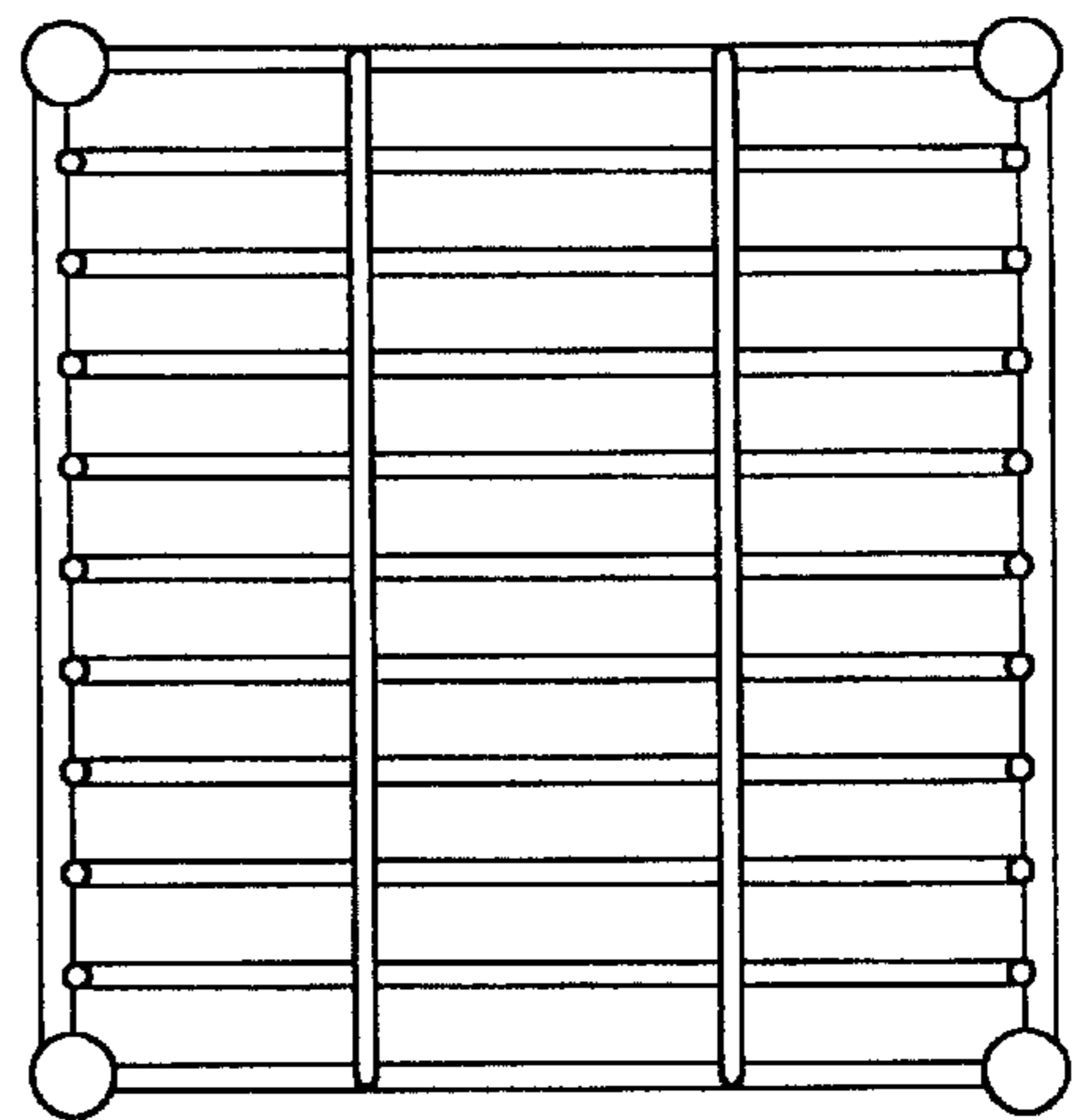


Fig.5

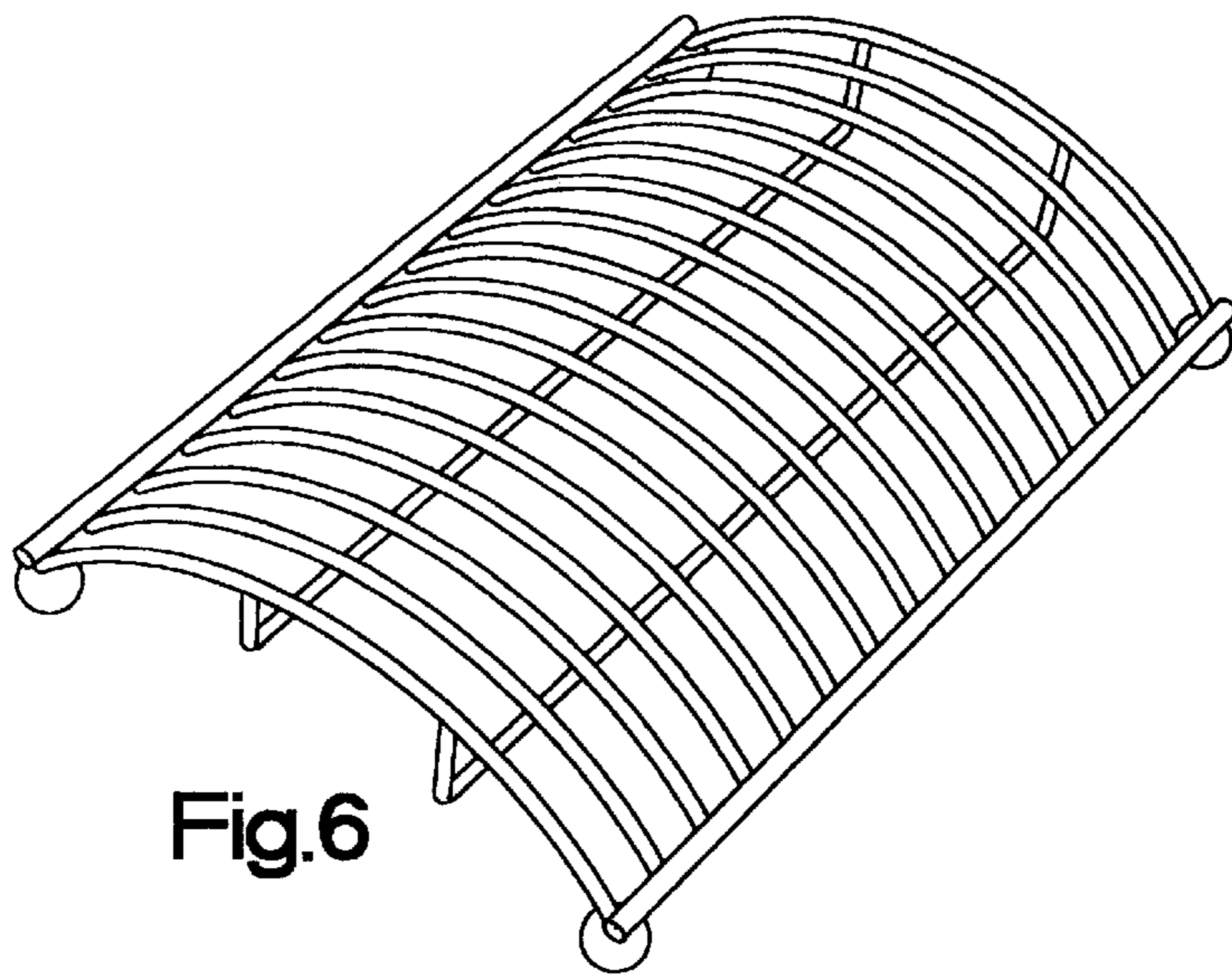


Fig.6



Fig.7



Fig.8

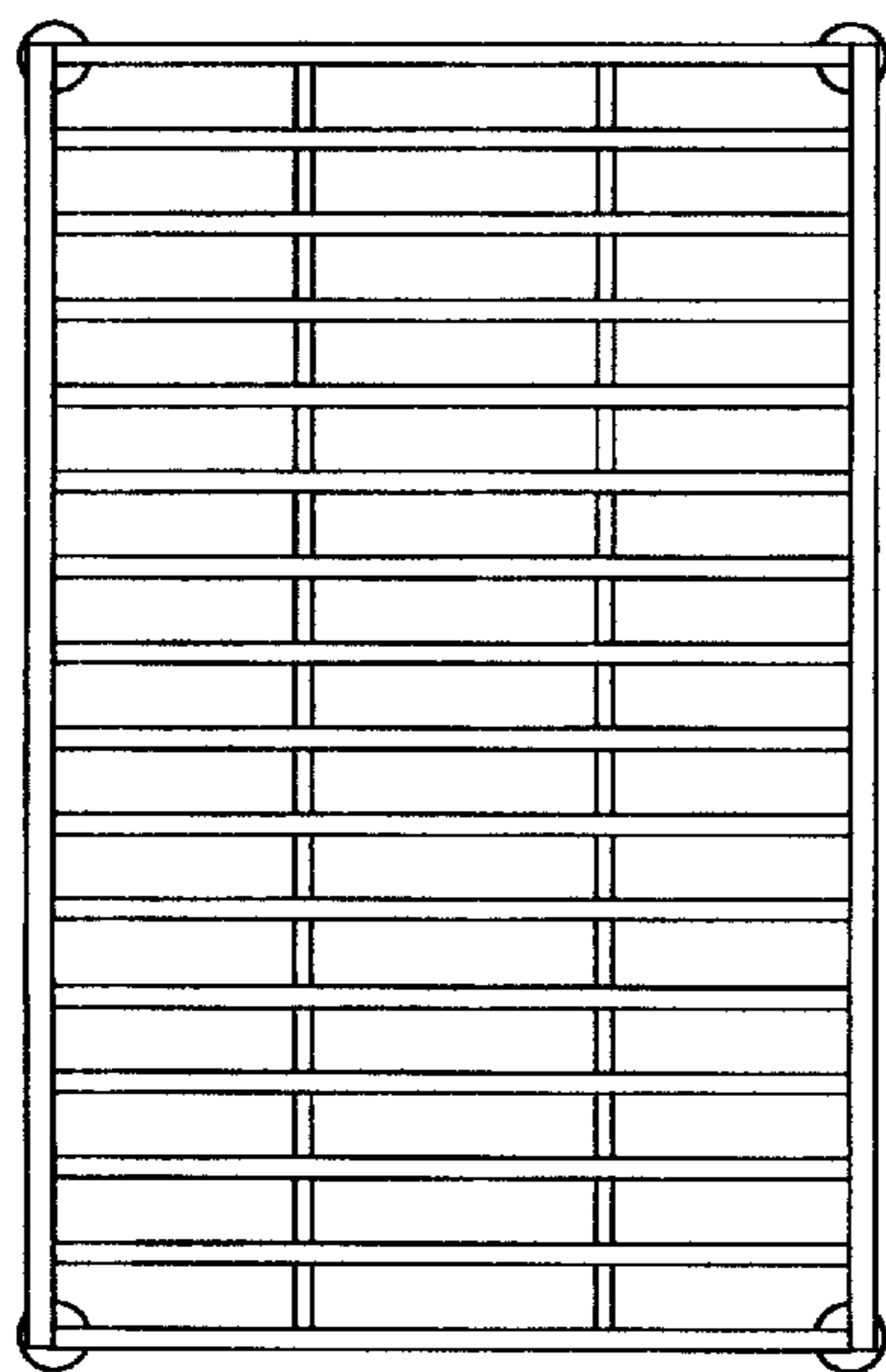


Fig.9

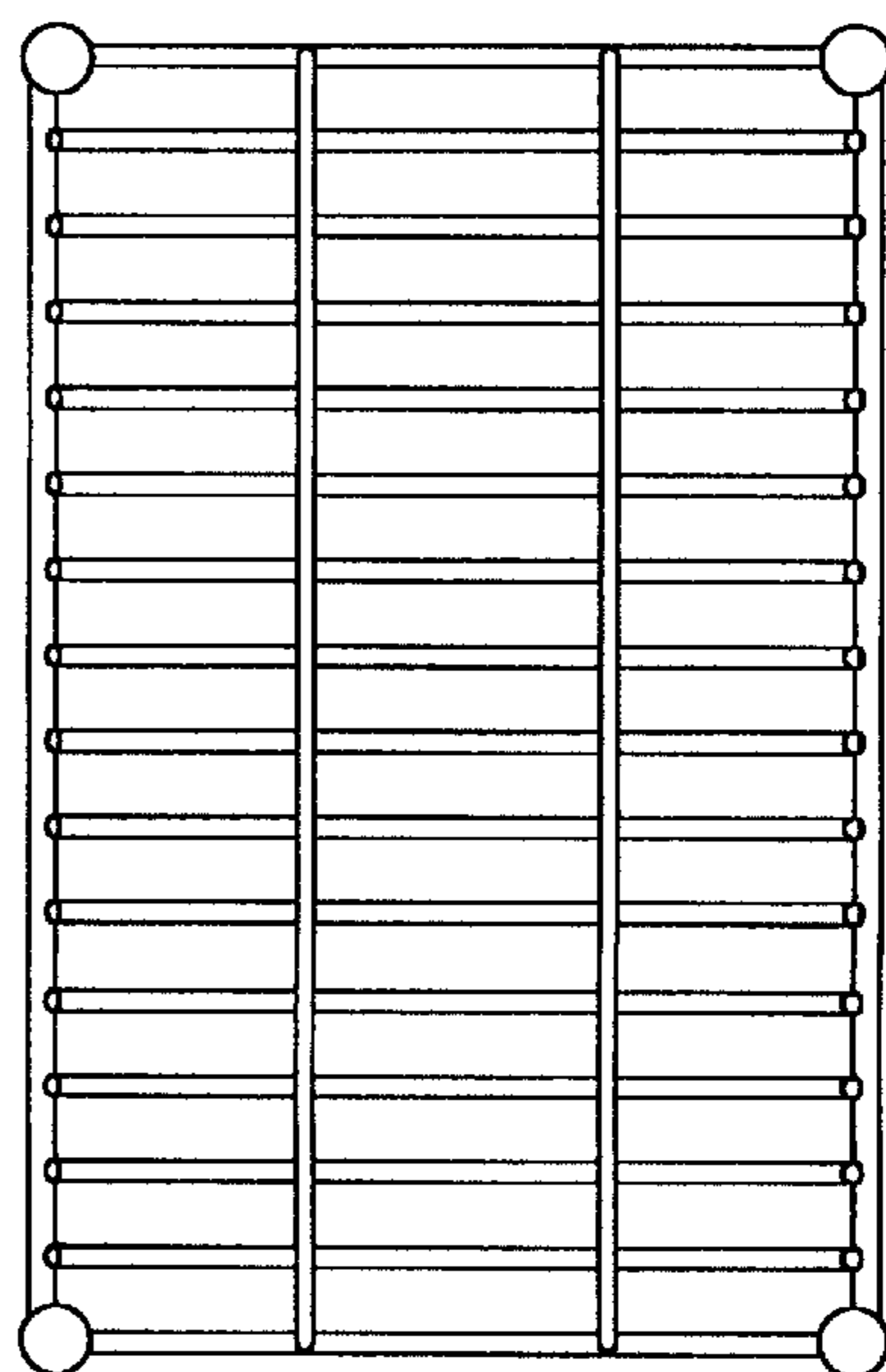


Fig.10

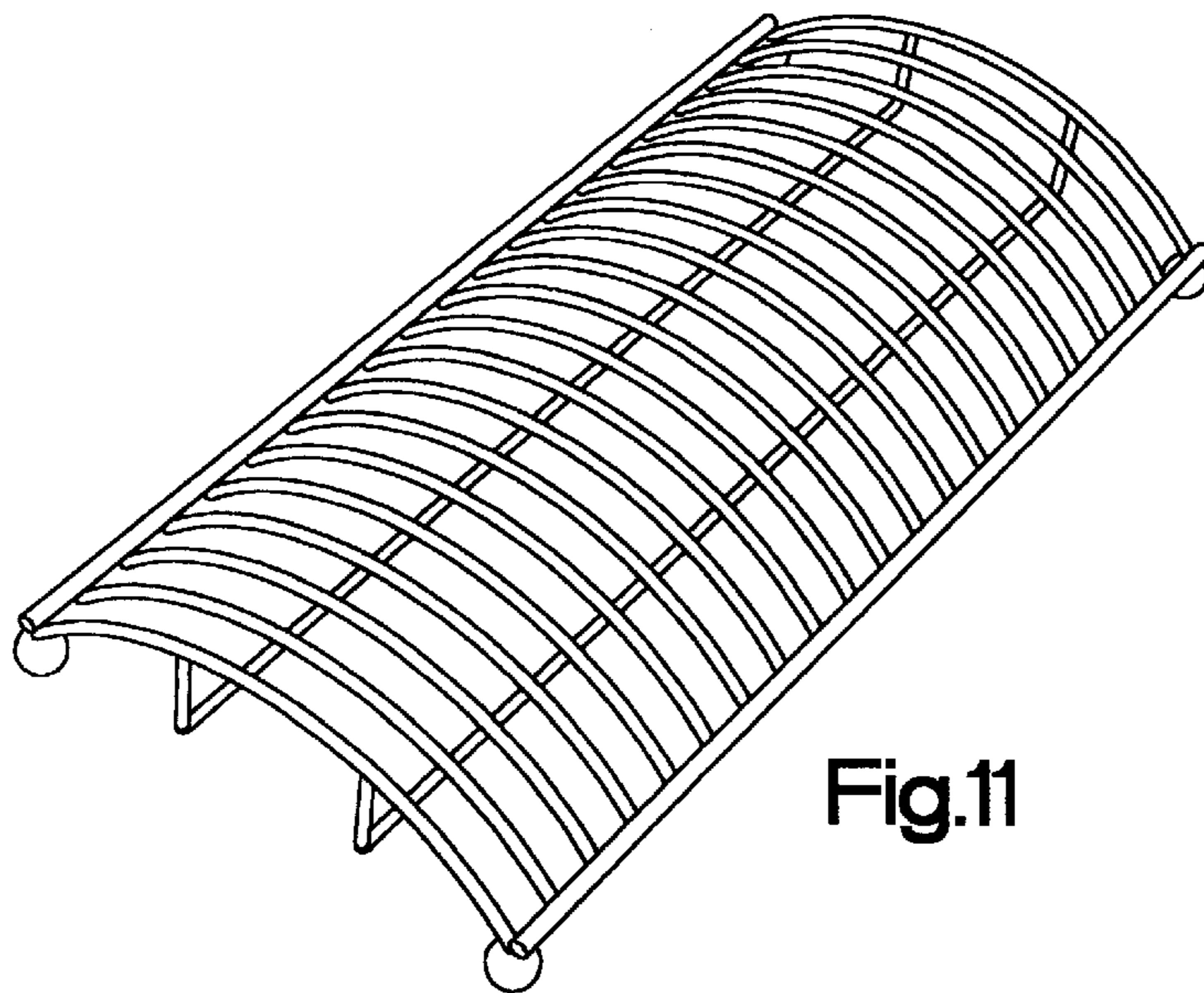


Fig.11

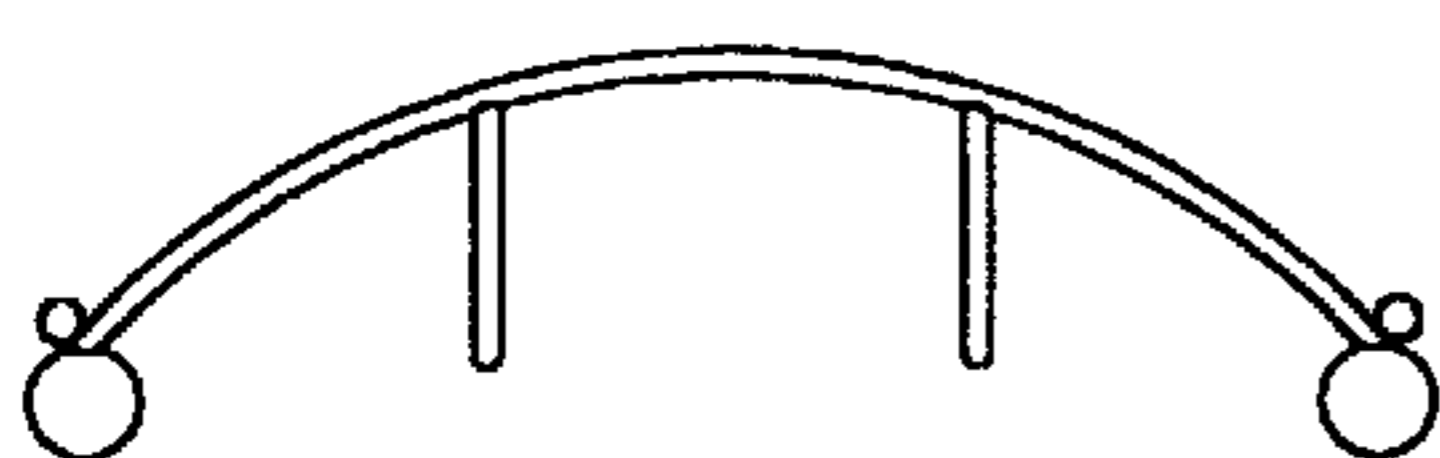


Fig.12

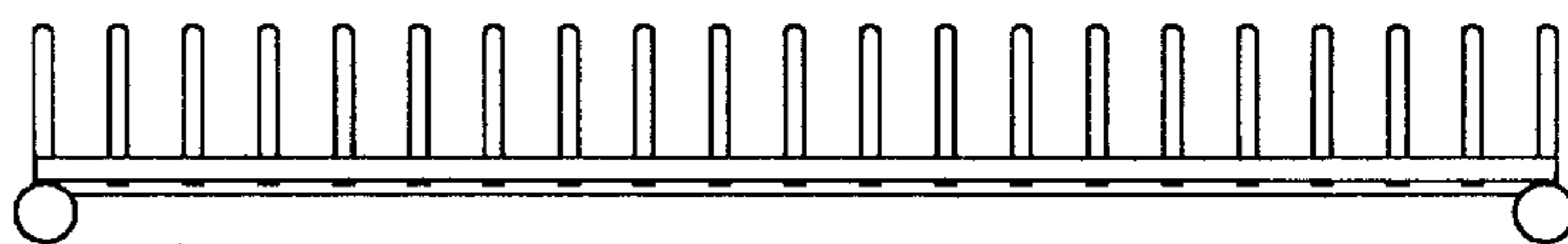


Fig.13

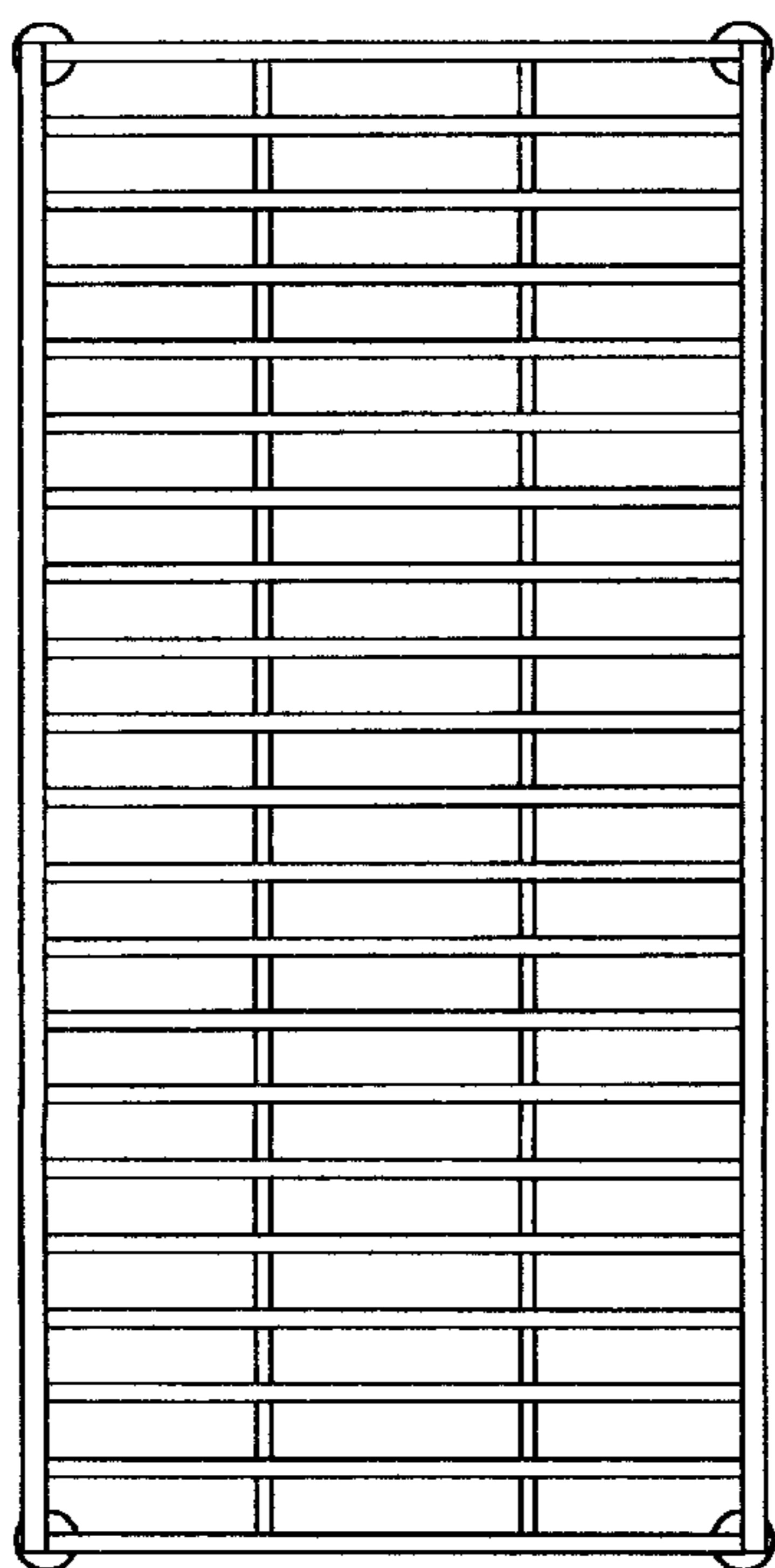


Fig.14

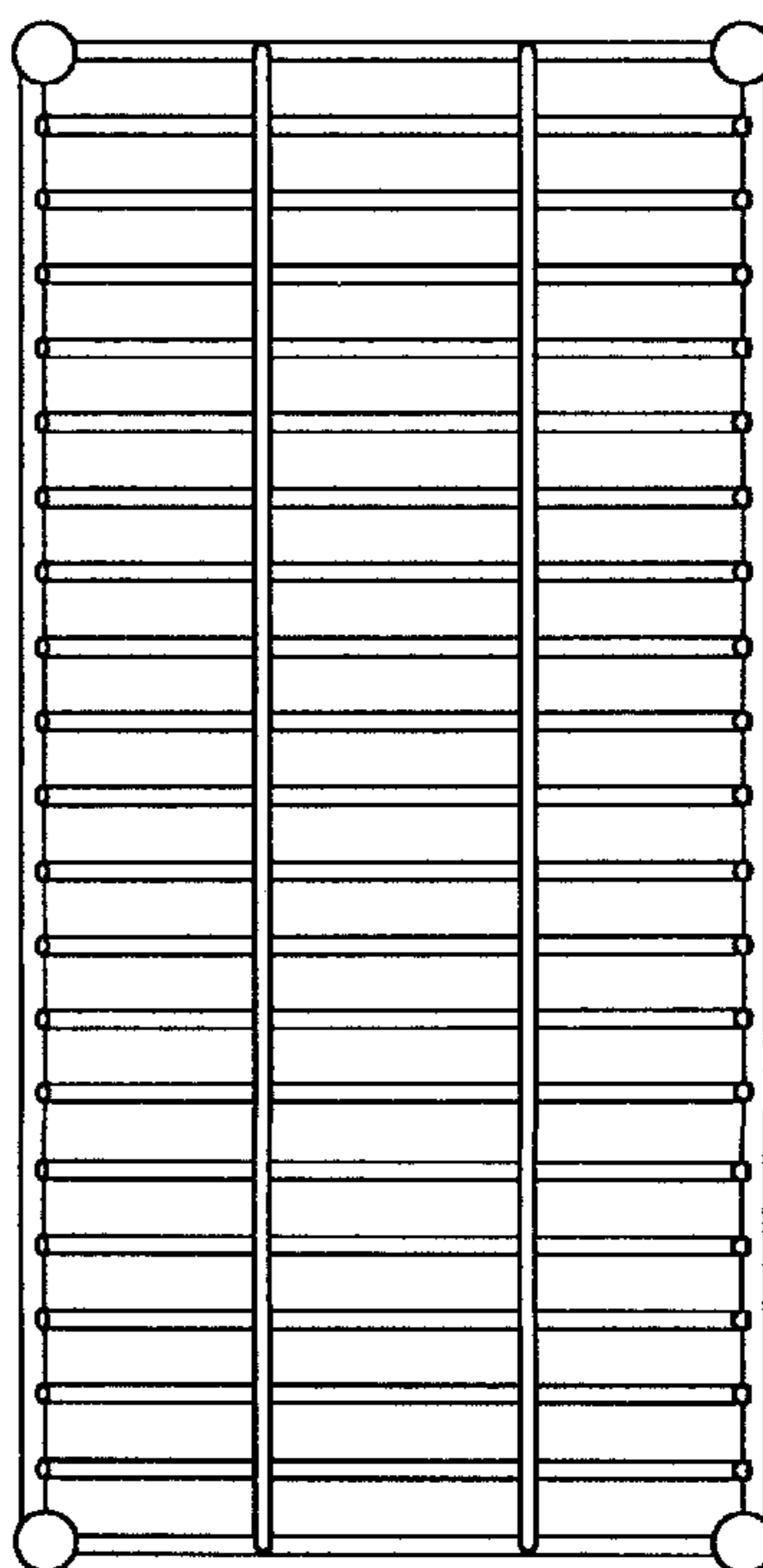


Fig.15