



US00D434588S

United States Patent [19]

Allan

[11] **Patent Number: Des. 434,588**

[45] **Date of Patent: ** Dec. 5, 2000**

[54] **SUNBATHING PILLOW**

[75] Inventor: **Glen Murray Allan**, Penticton, Canada

[73] Assignee: **Intergalactic Conceptions Inc.**, Canada

[**] Term: **14 Years**

[21] Appl. No.: **29/113,543**

[22] Filed: **Nov. 4, 1999**

[51] **LOC (7) Cl.** **06-09**

[52] **U.S. Cl.** **D6/601**

[58] **Field of Search** D6/595, 596, 601,
D6/604; 5/907, 630, 633, 636-639, 646,
652-654, 655.3, 655.9, 656

[56] **References Cited**

U.S. PATENT DOCUMENTS

- D. 272,300 1/1984 Dziurman, Jr. D3/274
- D. 338,362 8/1993 Schlosser D6/601

- D. 382,164 8/1997 Hays D6/601
- 4,081,870 4/1978 Iannucci 5/652

Primary Examiner—Janice E. Seeger
Attorney, Agent, or Firm—Miller Nash LLP

[57] **CLAIM**

The ornamental design for a sunbathing pillow, as shown and described.

DESCRIPTION

FIG. 1 is a front perspective view of the sunbathing pillow according to my design.

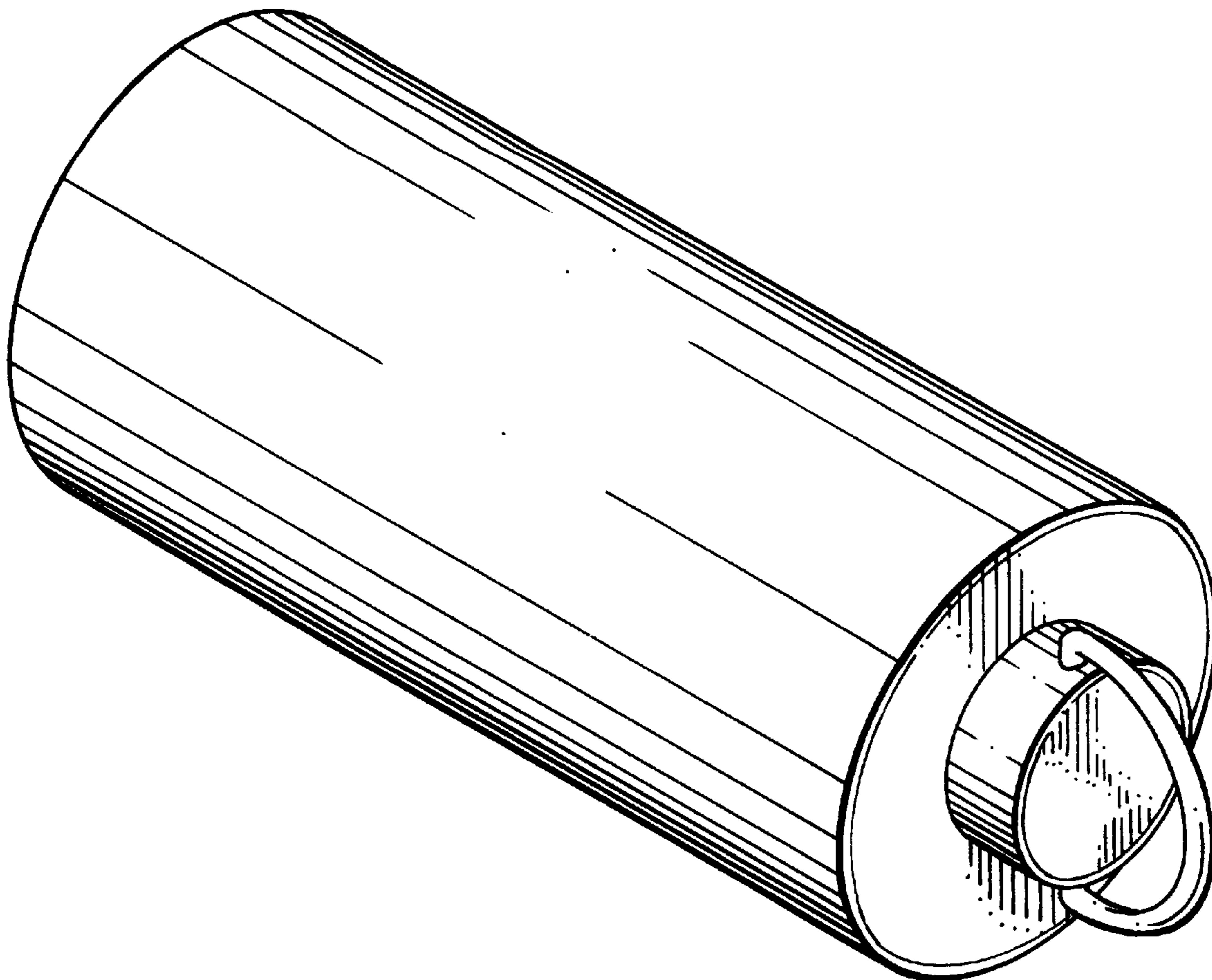
FIG. 2 is a top plan view which is identical to the bottom plan view.

FIG. 3 is a front elevation view which is identical to the rear elevation view.

FIG. 4 is a left end view; and,

FIG. 5 is a right end view.

1 Claim, 2 Drawing Sheets



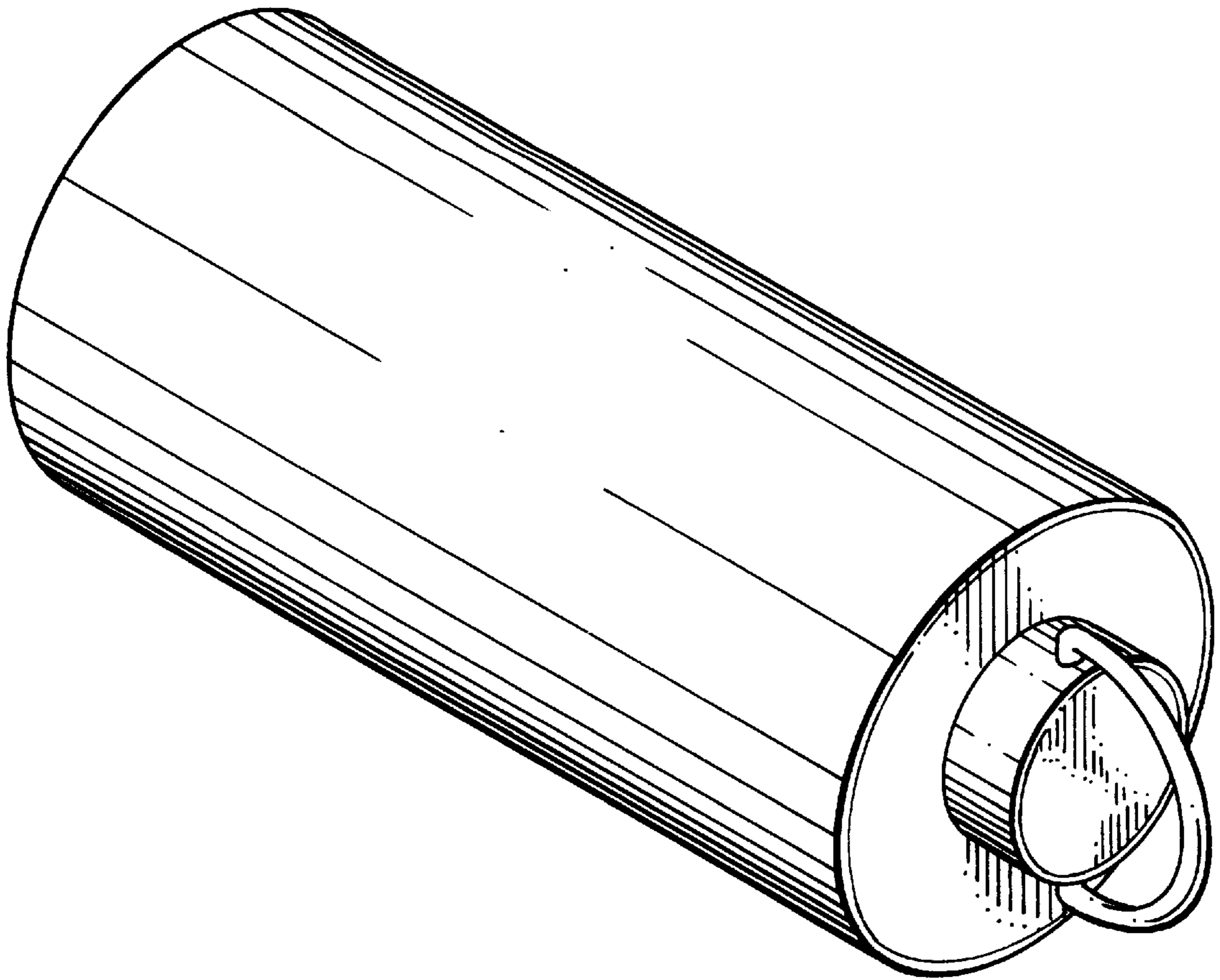


FIG. 1

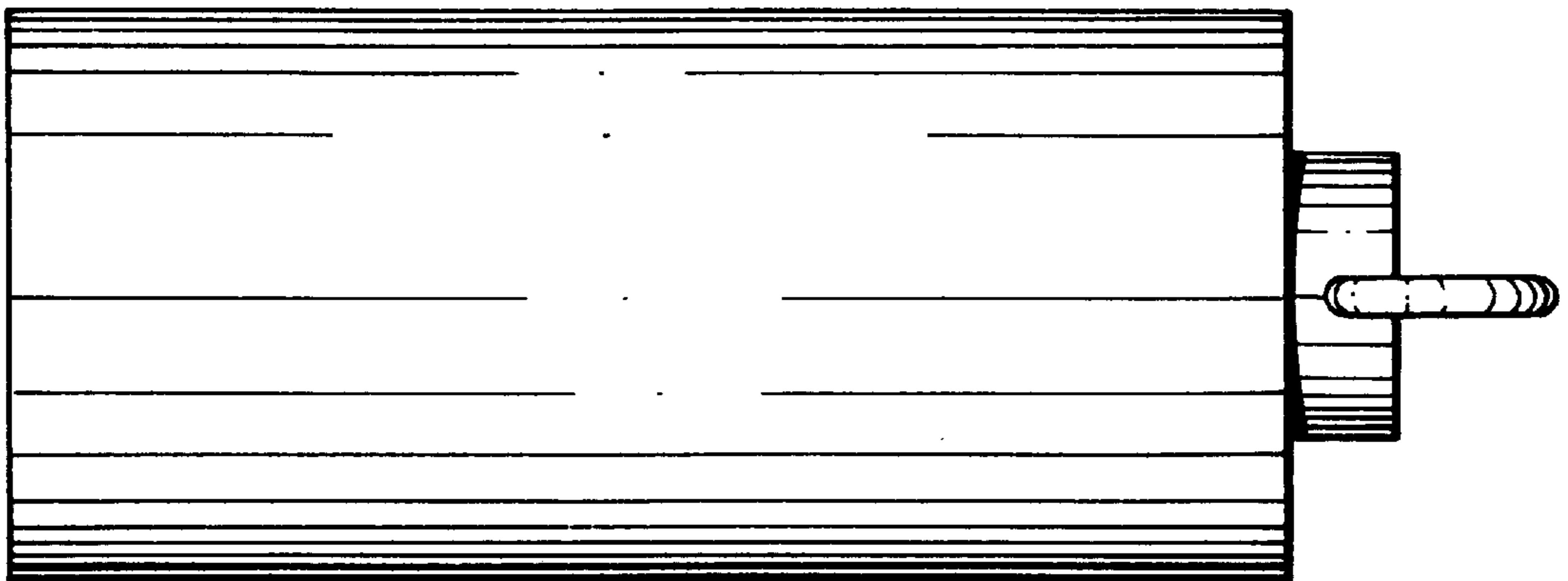


FIG. 2

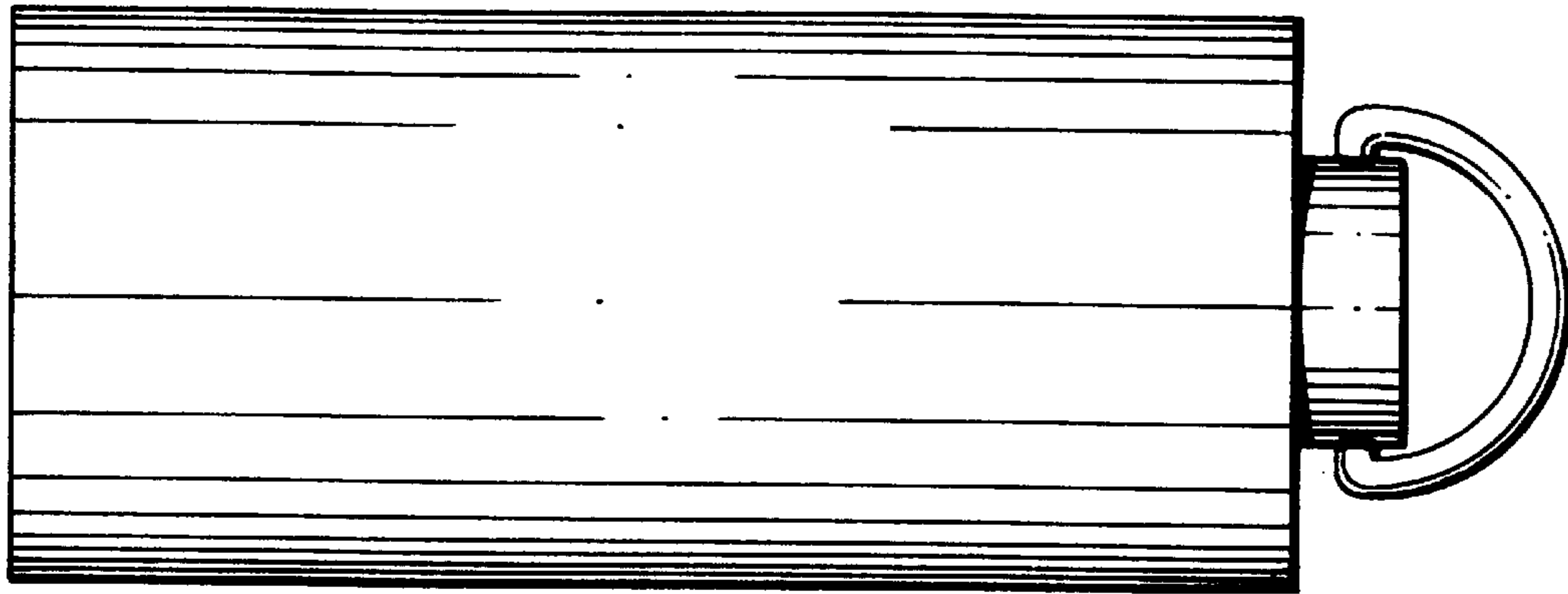


FIG. 3

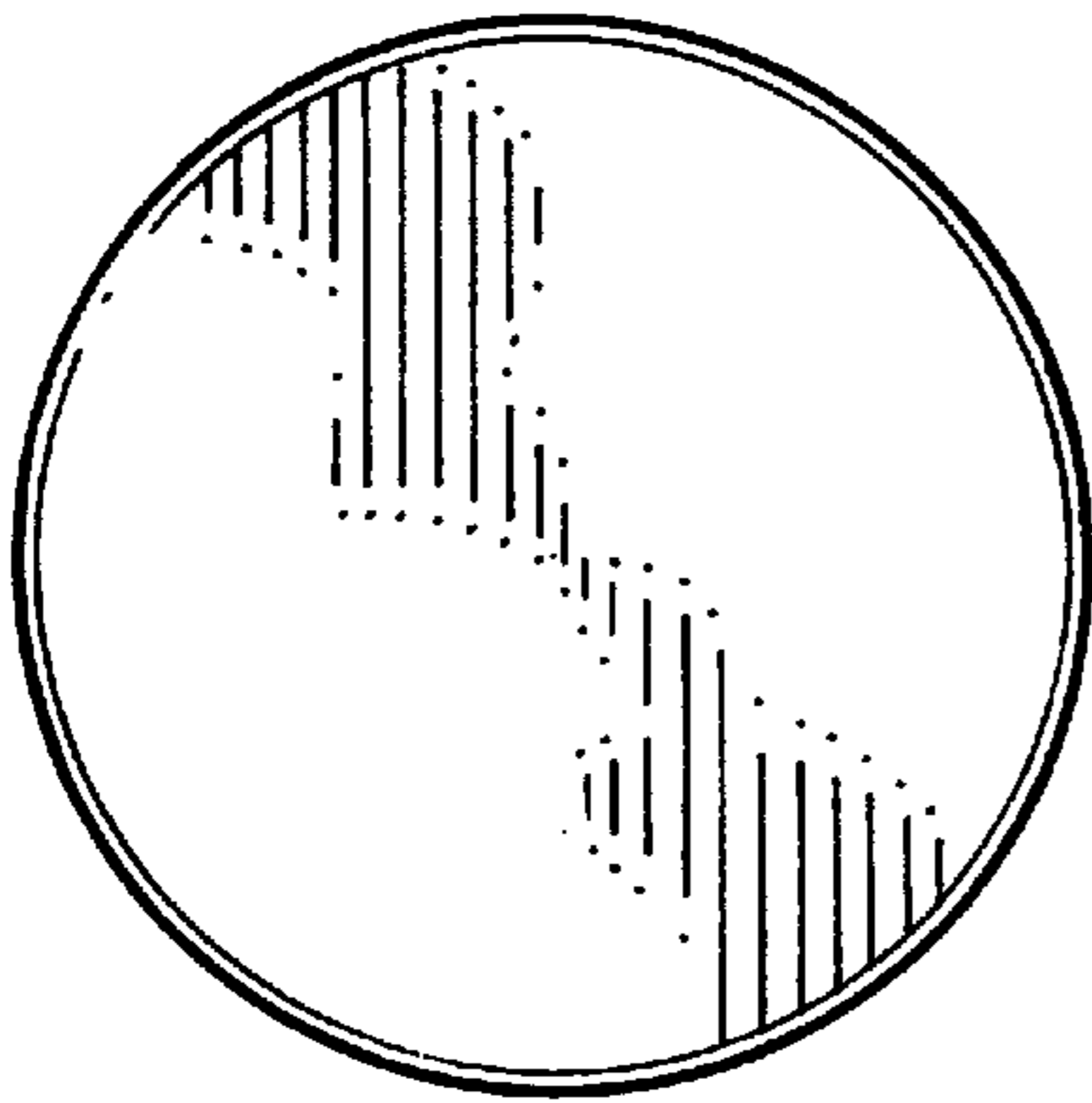


FIG. 4

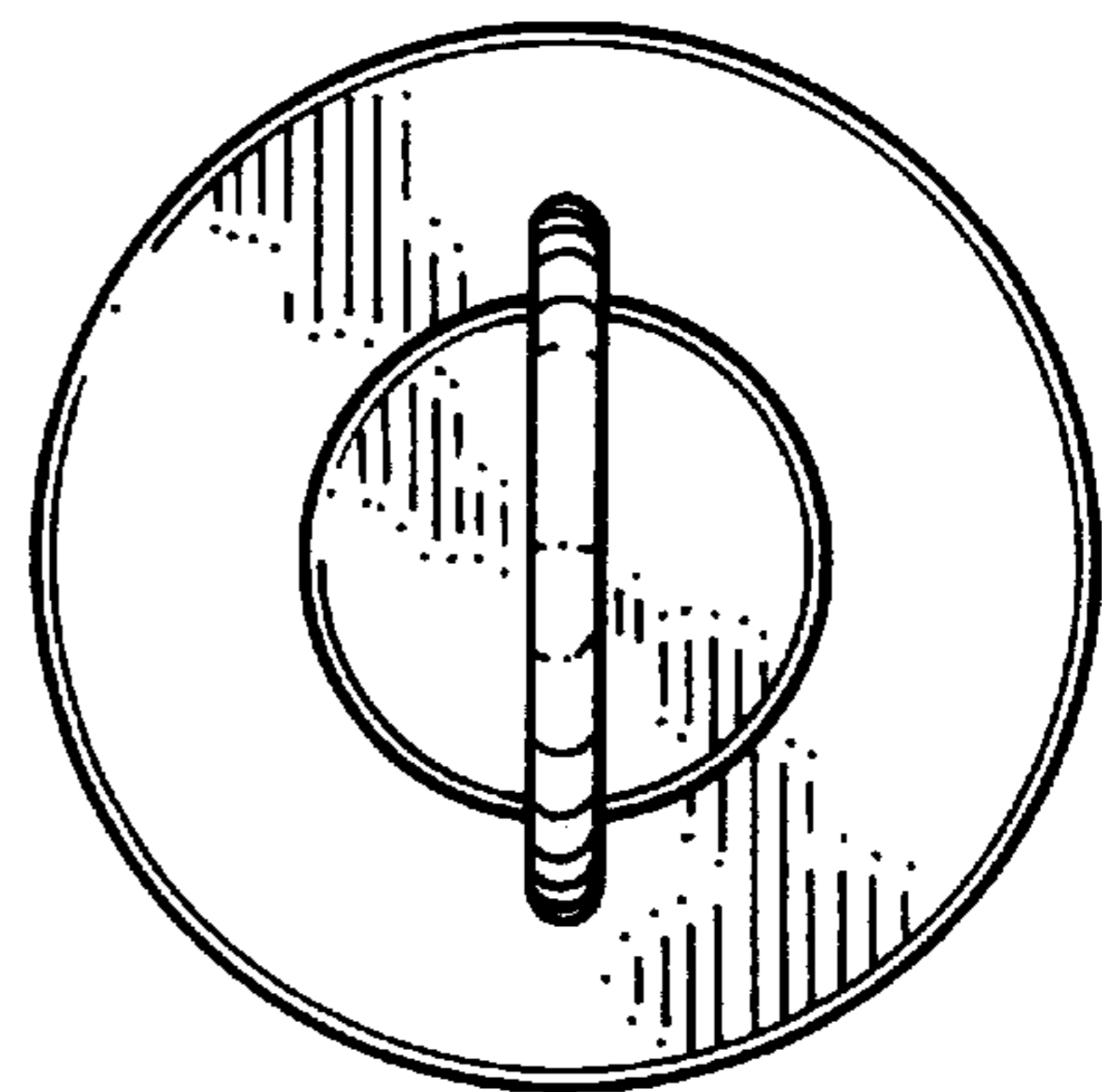


FIG. 5