



US00D434587S

United States Patent [19]

Beard, Sr.

[11] Patent Number: **Des. 434,587**

[45] Date of Patent: **** Dec. 5, 2000**

[54] **GOLF BAG RACK**

5,076,651 12/1991 White 312/265.3

[75] Inventor: **John E. Beard, Sr.**, Palm Beach Gardens, Fla.

OTHER PUBLICATIONS

GolfSmith store; Golf storage rack, bottom of page, Mar. 1999.

[73] Assignee: **The Plastic Trading Co., Inc.**, Fla.

Primary Examiner—Mitchell Siegel
Attorney, Agent, or Firm—McHale & Slavin

[**] Term: **14 Years**

[21] Appl. No.: **29/107,698**

[57] CLAIM

The ornamental design for a golf bag rack, as shown and described.

[22] Filed: **Jul. 12, 1999**

[51] **LOC (7) Cl.** **06-99**

[52] **U.S. Cl.** **D6/552; D21/796**

[58] **Field of Search** D21/789, 796;
D6/552; 211/13, 60.1, 68, 70.2, 70.3, 90,
71; 473/282; 312/198, 265.3, 328

DESCRIPTION

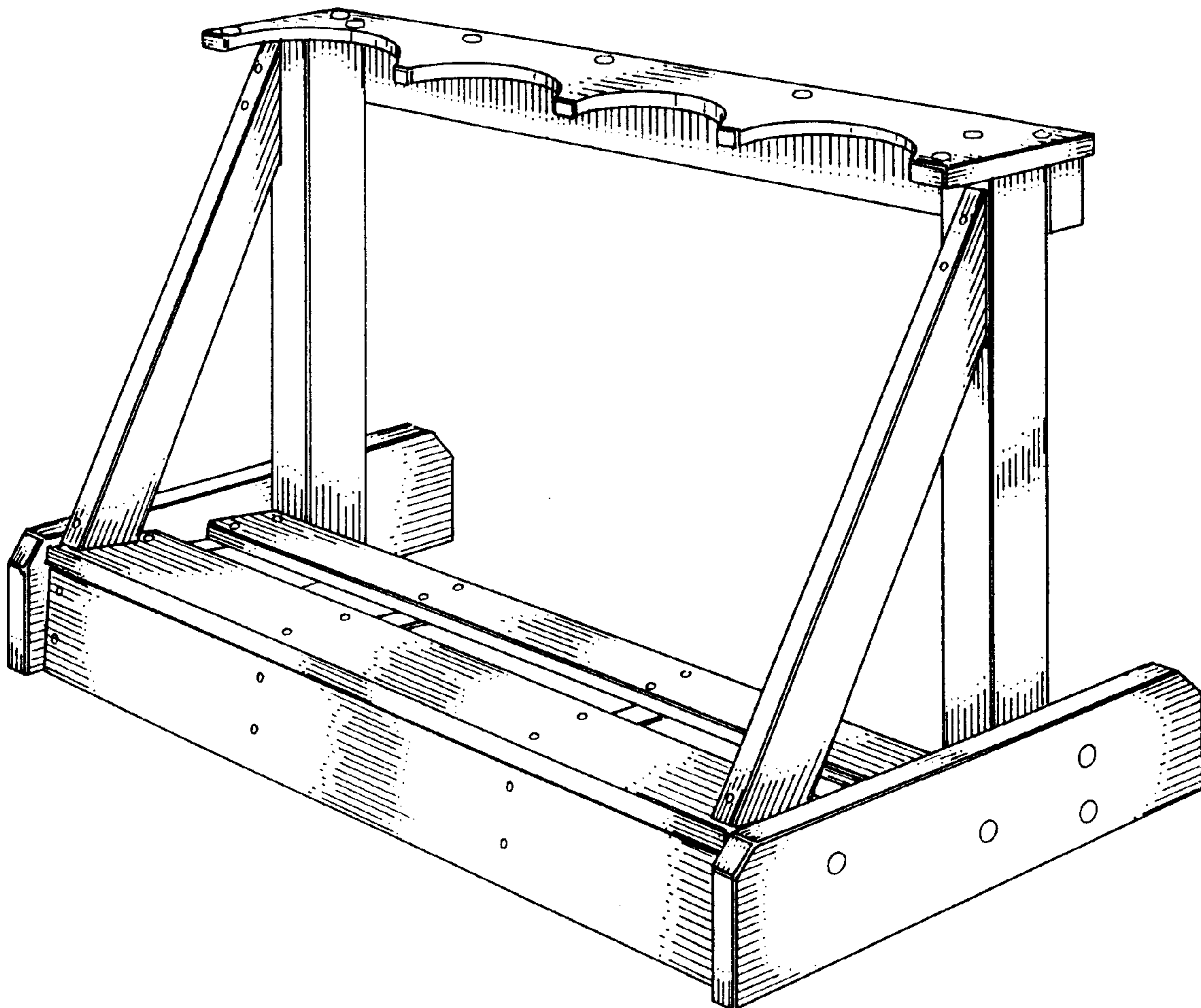
FIG. 1 is a perspective view of the golf bag rack of the instant invention;
FIG. 2 is a rear elevation view thereof;
FIG. 3 is a right side elevation view thereof;
FIG. 4 is a left side elevation view thereof;
FIG. 5 is a front elevation view thereof;
FIG. 6 is a top plan view thereof; and,
FIG. 7 is a bottom plan view thereof.

[56] References Cited

U.S. PATENT DOCUMENTS

D. 382,158	8/1997	Allendorph	D6/552
D. 394,291	5/1998	Beltran et al.	D6/552
D. 409,033	5/1999	Wittek, Sr.	D6/552
4,045,103	8/1977	Paolino	312/198

1 Claim, 3 Drawing Sheets



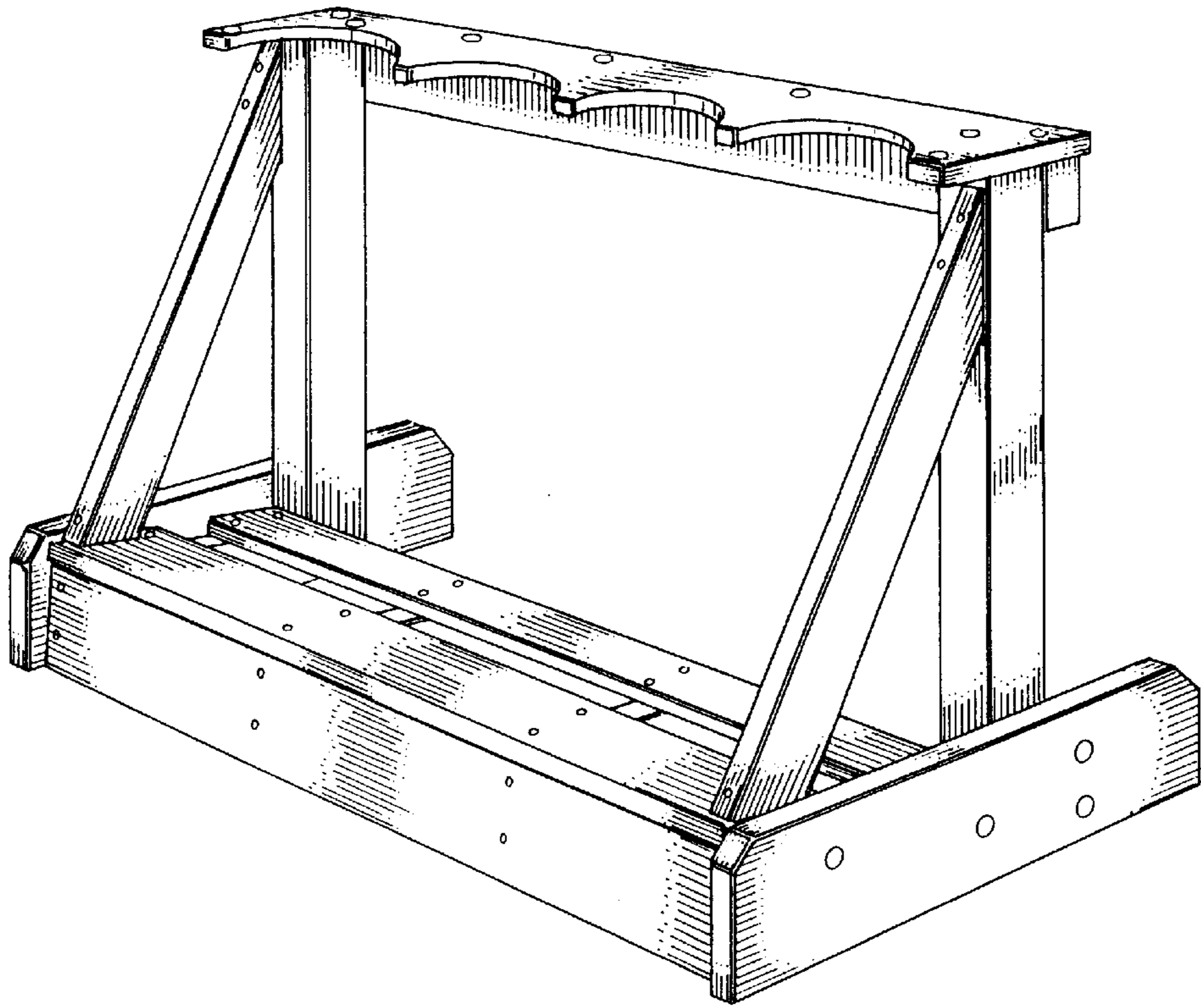


FIG. 1

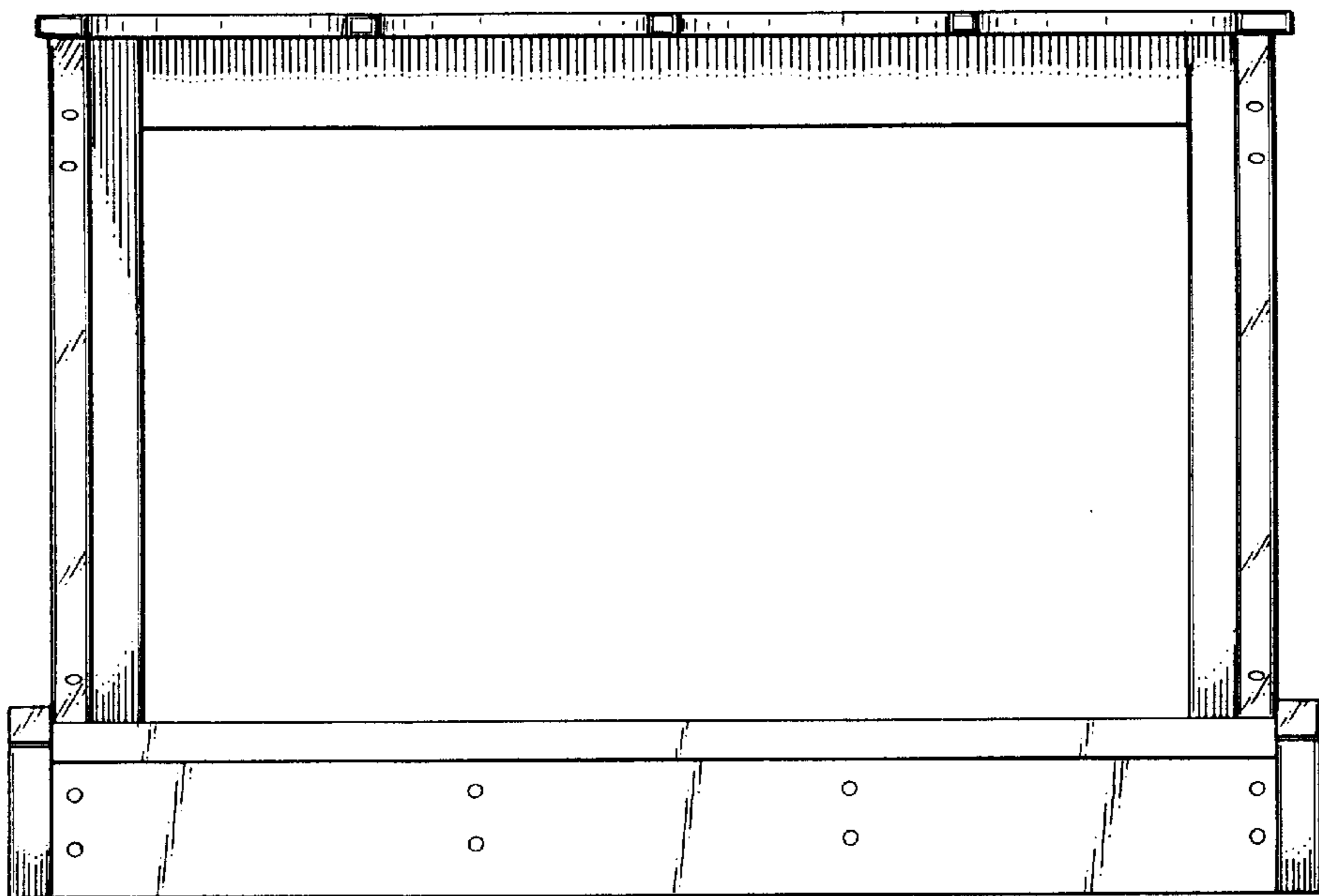


FIG. 2

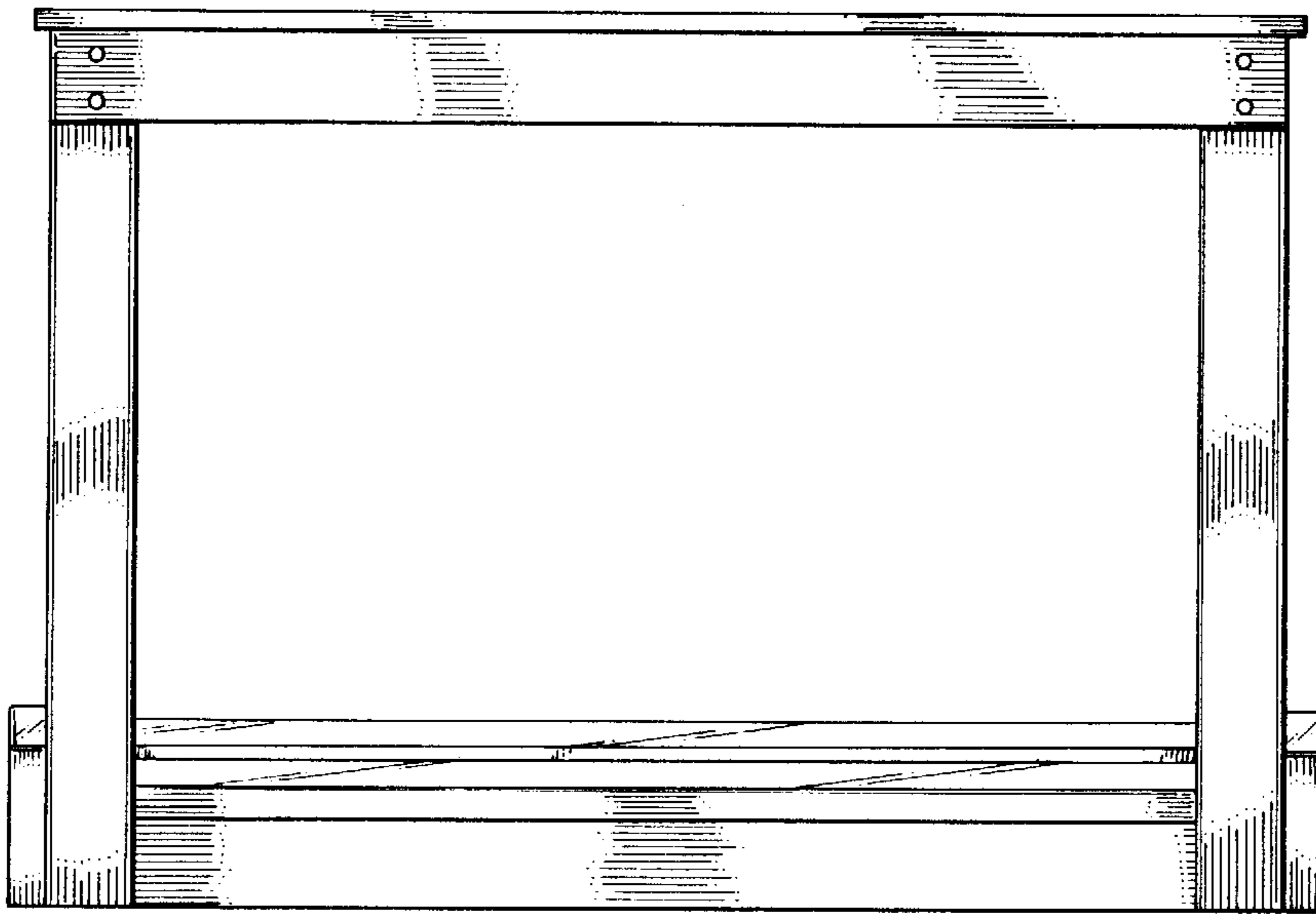


FIG. 3

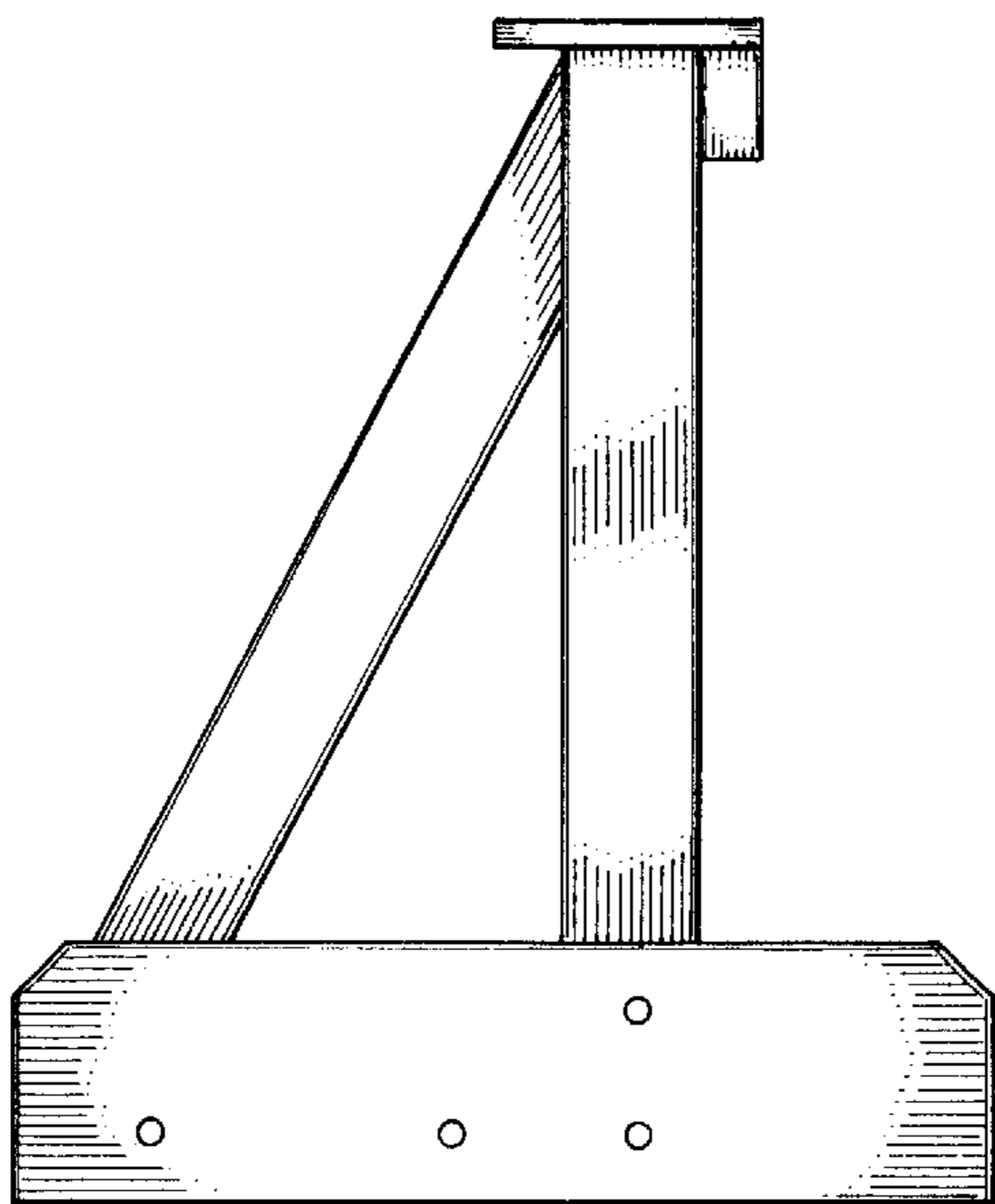


FIG. 4

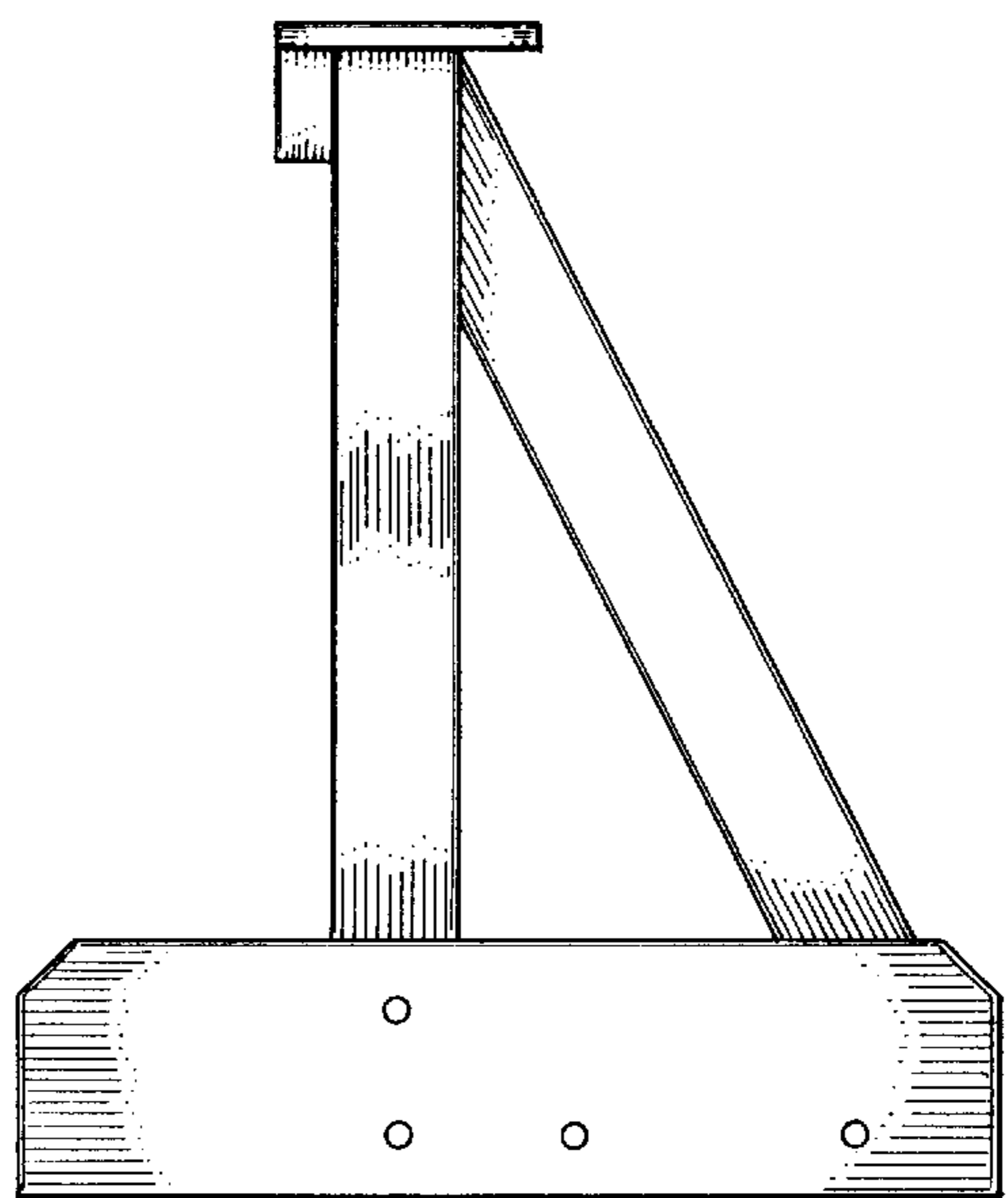


FIG. 5

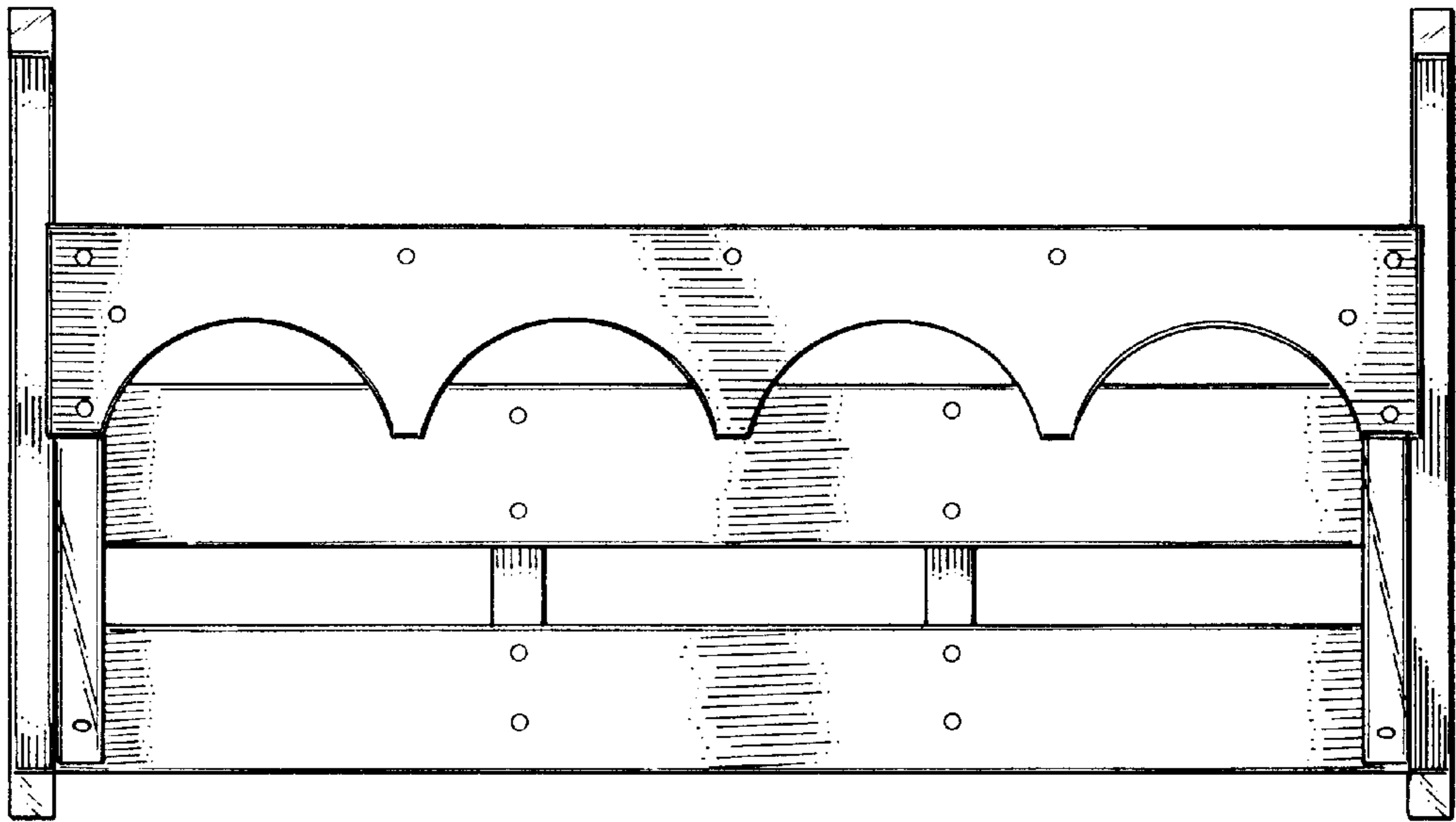


FIG. 6

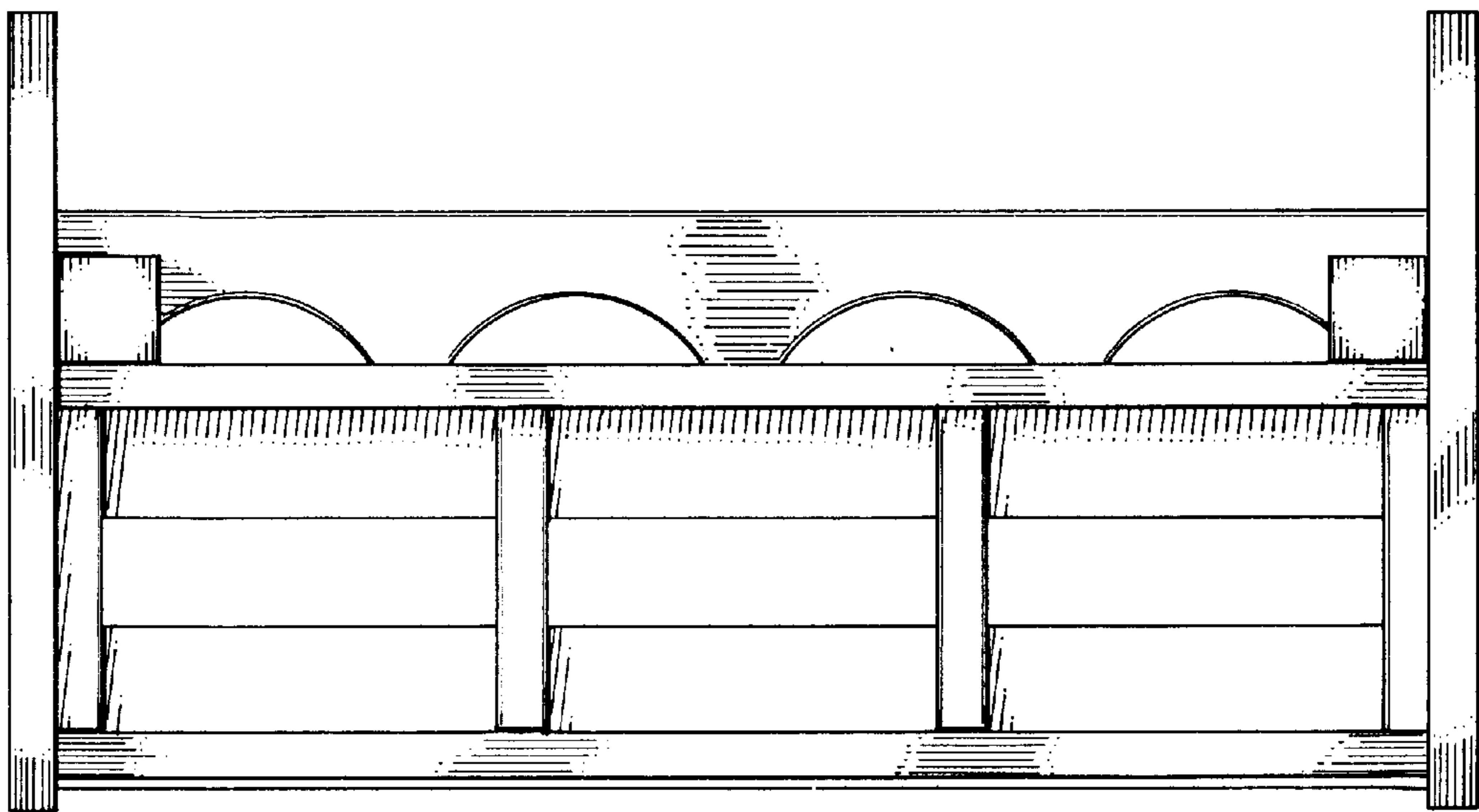


FIG. 7