



US00D434586S

United States Patent [19]

De Winter et al.

[11] Patent Number: **Des. 434,586**

[45] Date of Patent: **** Dec. 5, 2000**

[54] **PUMP NOZZLE**

[75] Inventors: **Koen De Winter; Mattie Chinks**, both of Montreal, Canada

[73] Assignee: **Avmor Ltd.**, Montréal, Canada

[**] Term: **14 Years**

[21] Appl. No.: **29/122,113**

[22] Filed: **Apr. 20, 2000**

[51] **LOC (7) Cl.** **06-02**

[52] **U.S. Cl.** **D6/542**

[58] **Field of Search** D15/7, 9.1, 9.2;
D6/542-545; D9/447-449, 453-454, 439-442;
222/186-187, 189, 180-181

[56] **References Cited**

U.S. PATENT DOCUMENTS

- D. 370,814 6/1996 Daansen D6/545
- D. 378,718 4/1997 Daansen D6/542

- D. 396,589 8/1998 Daansen D6/542
- D. 422,823 4/2000 Daasen D6/542
- D. 423,933 5/2000 Fritz et al. D9/447
- D. 424,350 5/2000 Daansen D6/542
- D. 427,470 7/2000 Daansen D6/542

Primary Examiner—Ralf Seifert
Attorney, Agent, or Firm—Robic

[57] **CLAIM**

The ornamental design for a pump nozzle, as shown and described.

DESCRIPTION

FIG. 1 is a front perspective view of the pump nozzle; FIG. 2 is an upside-down perspective view of the pump nozzle; FIG. 3 is a front elevational view of the pump nozzle; FIG. 4 is a rear view of the pump nozzle; FIG. 5 is a bottom plan view of pump nozzle; and, FIG. 6 is a top plan view of the pump nozzle.

1 Claim, 3 Drawing Sheets

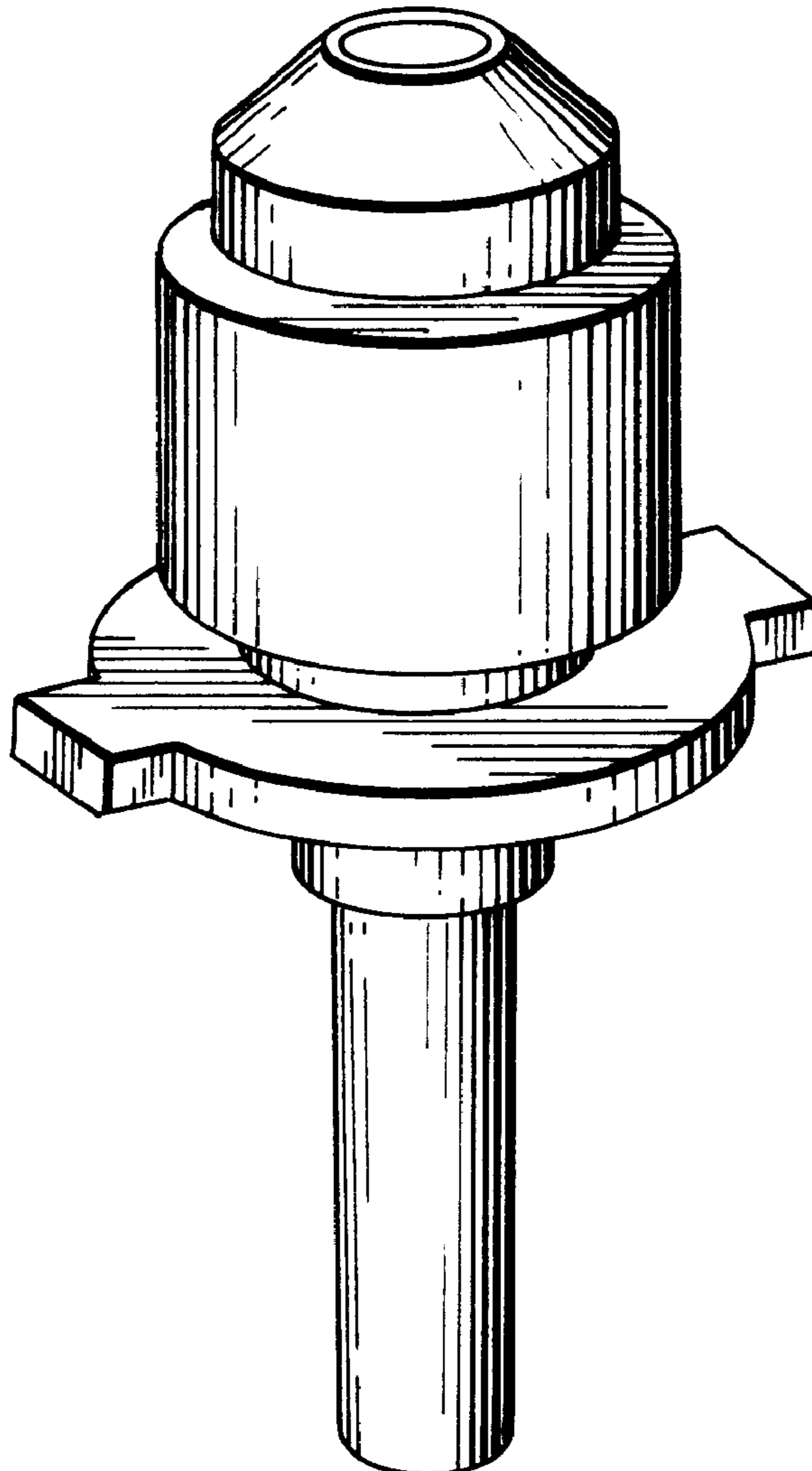


FIG. 1

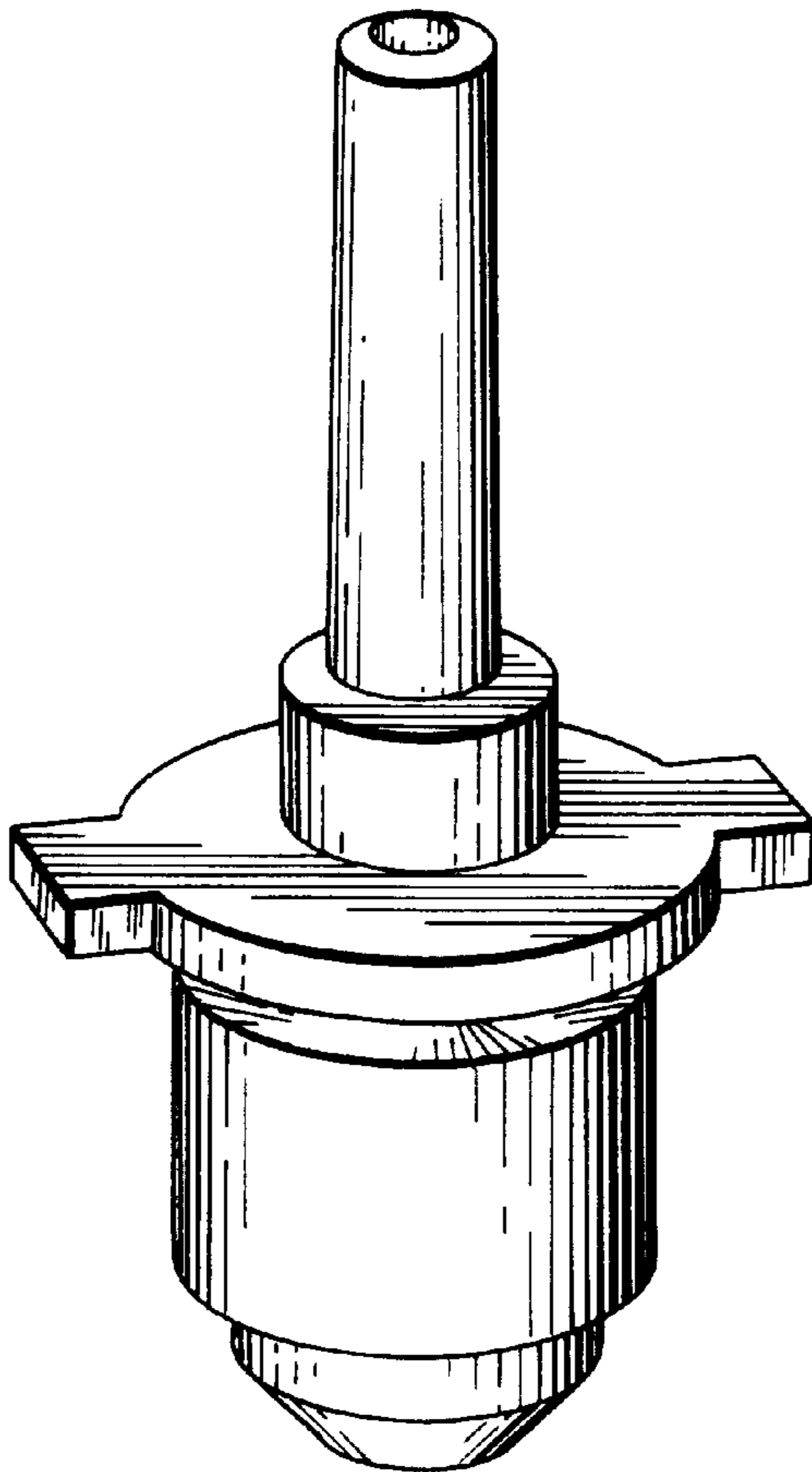
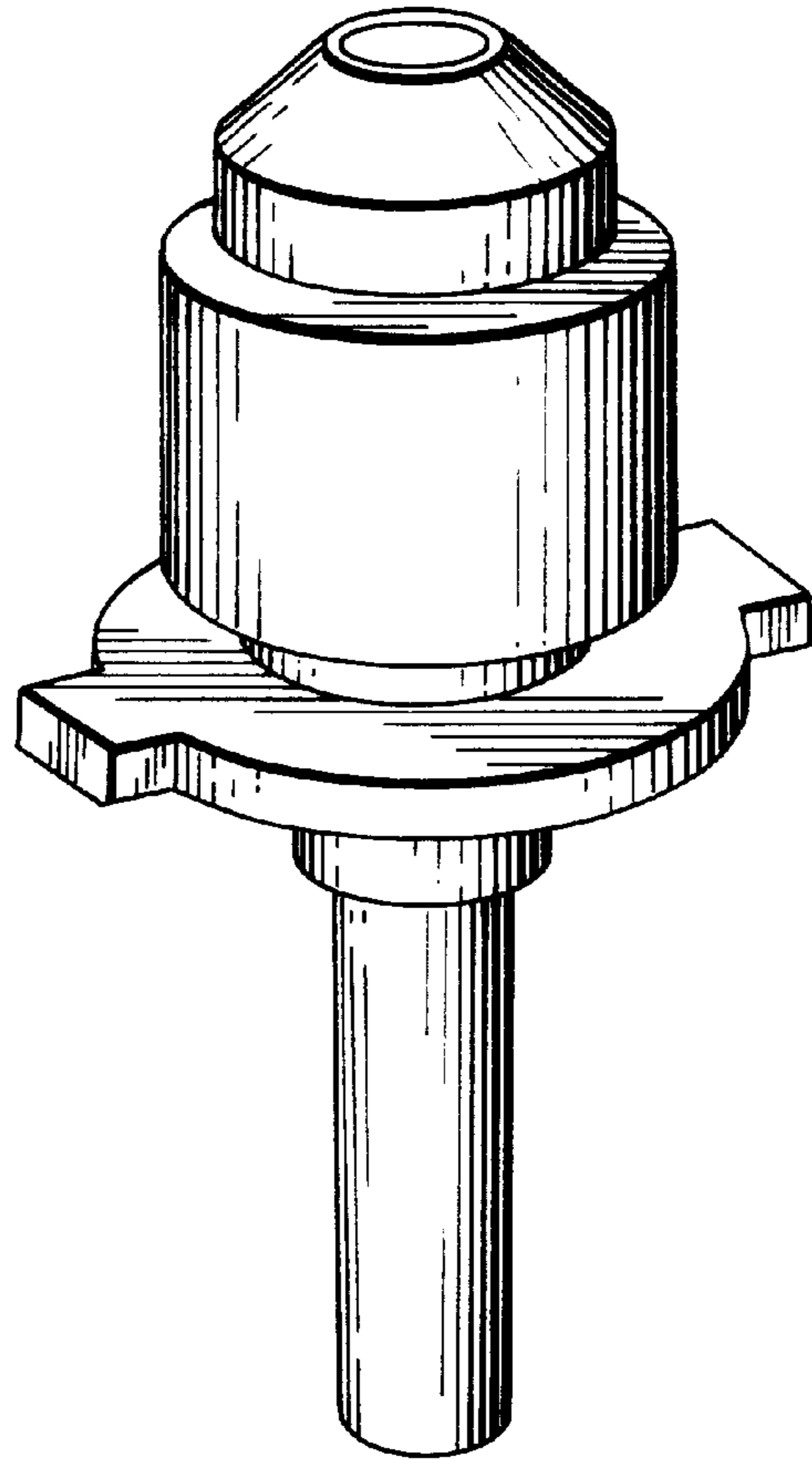


FIG. 2

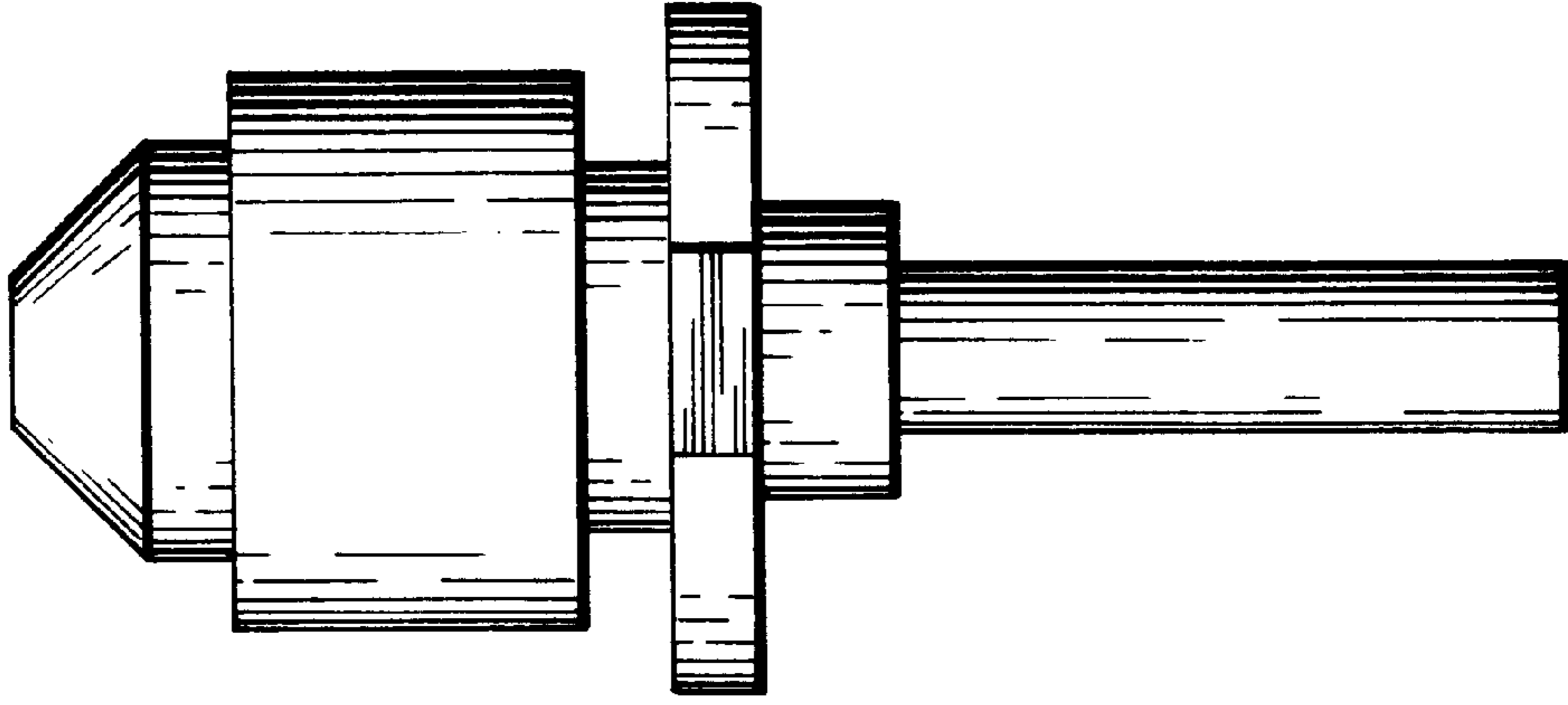


FIG. 4

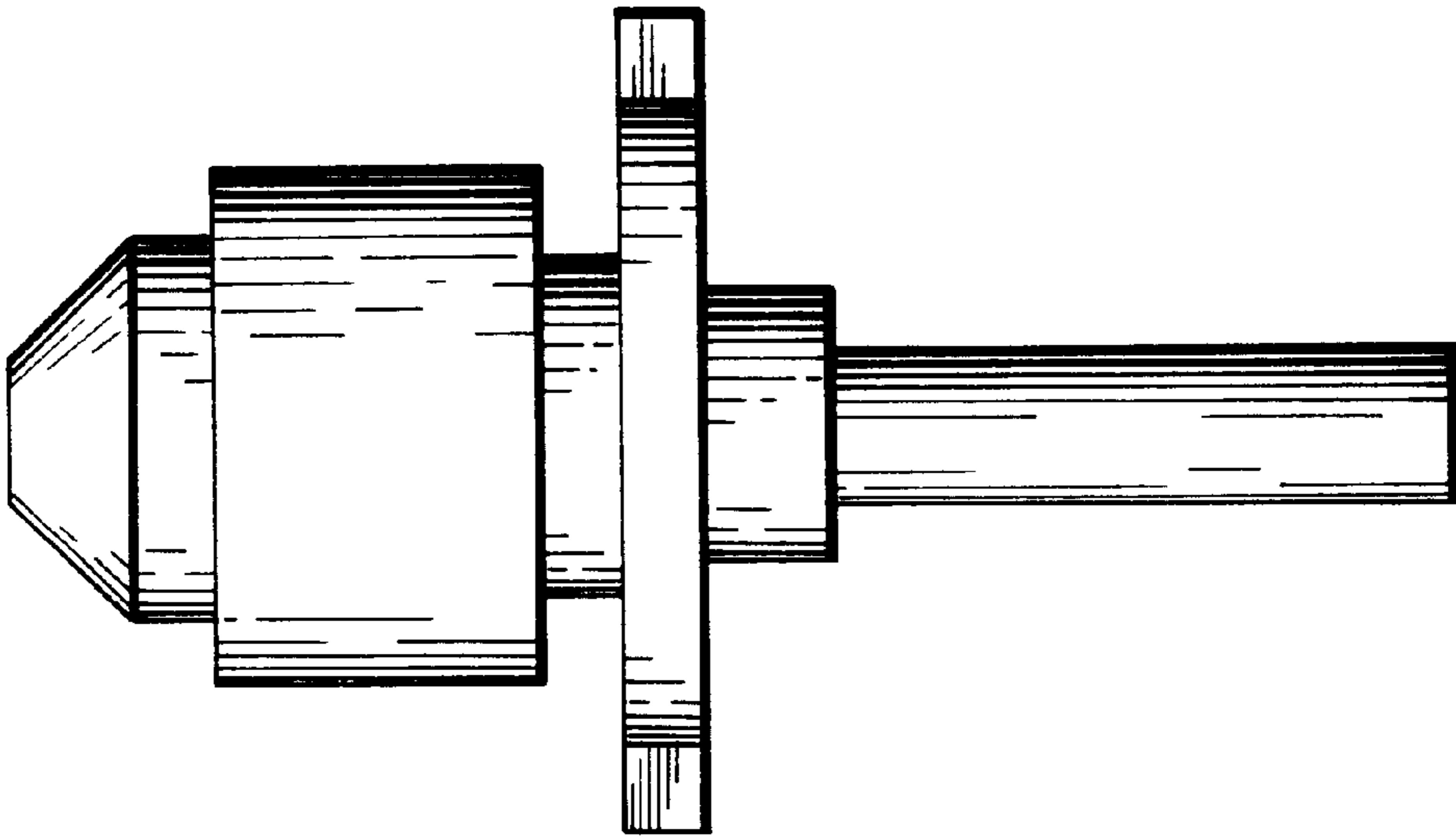


FIG. 3

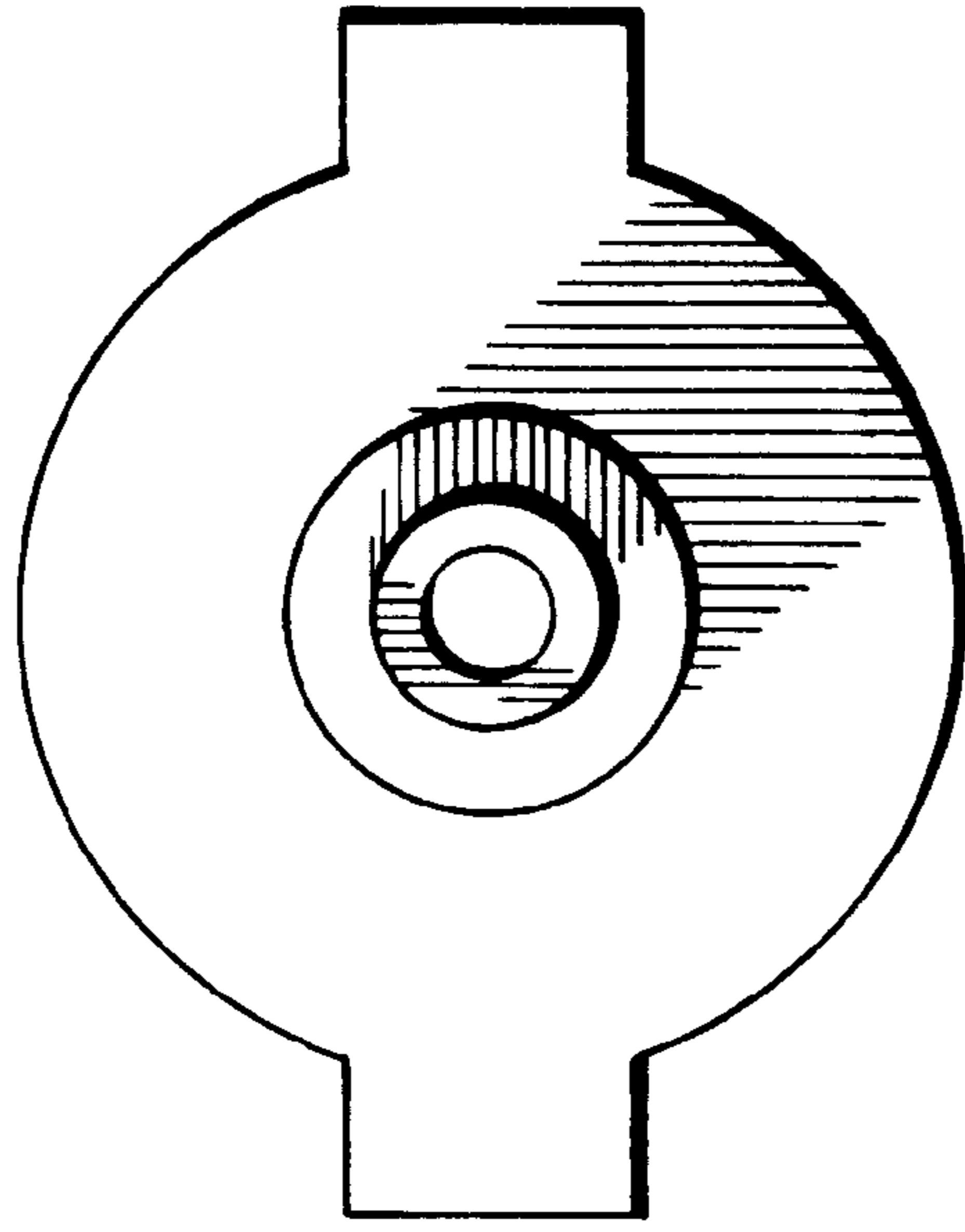


FIG. 6

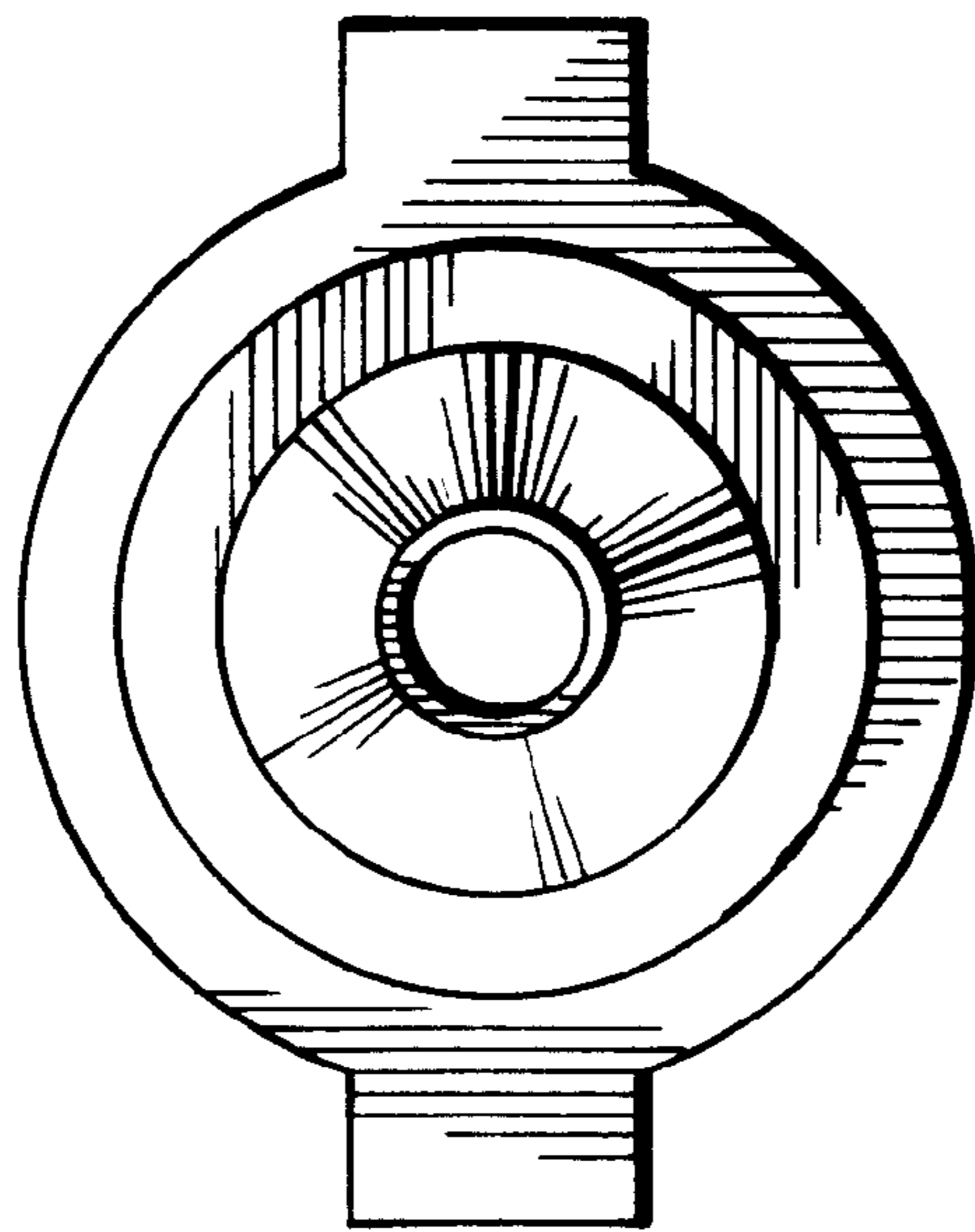


FIG. 5