



US00D434585S

United States Patent [19]

Neff et al.

[11] Patent Number: Des. 434,585

[45] Date of Patent: ** Dec. 5, 2000

[54] CORNER WORKTOP FOR A KITCHEN

2,594,516 4/1952 Swisher 312/140.1
2,665,183 1/1954 Battles 312/140.1

[75] Inventors: Paul J. Neff, Mississauga; Richard Byard, Brampton, both of Canada

Primary Examiner—Carmen H. Vales-Lado
Attorney, Agent, or Firm—Bereskin & Parr

[73] Assignee: Neff Kitchen Manufacturers Limited, Brampton, Canada

[57] CLAIM

[**] Term: 14 Years

The ornamental design for a corner worktop for a kitchen, as shown and described.

[21] Appl. No.: 29/090,786

DESCRIPTION

[22] Filed: Jul. 16, 1998

[30] Foreign Application Priority Data

Jan. 16, 1998 [CA] Canada 1998-0098

[51] LOC (7) Cl. 06-04

[52] U.S. Cl. D6/511

[58] Field of Search D6/442, 481, 511;
D23/288, 287; D7/346, 355; 512/140.1,
140.2, 140.3, 140.4, 236, 238

FIG. 1 is a perspective view of a corner worktop for a kitchen showing our new design;
FIG. 2 is a top plan view thereof;
FIG. 3 is a front elevational view thereof;
FIG. 4 is a rear elevational view thereof;
FIG. 5 is a right side elevational view thereof;
FIG. 6 is a left side elevational view thereof;
FIG. 7 is a cross-sectional view taken along line 7—7 of FIG. 1;
FIG. 8 is a perspective view of a second embodiment of the corner worktop for a kitchen shown in FIG. 1;
FIG. 9 is a top plan view thereof;
FIG. 10 is a front elevational view thereof;
FIG. 11 is a rear elevational view thereof;
FIG. 12 is a right side elevational view thereof;
FIG. 13 is a left side elevational view thereof; and,
FIG. 14 is a cross-sectional view taken along line 14—14 of FIG. 8.

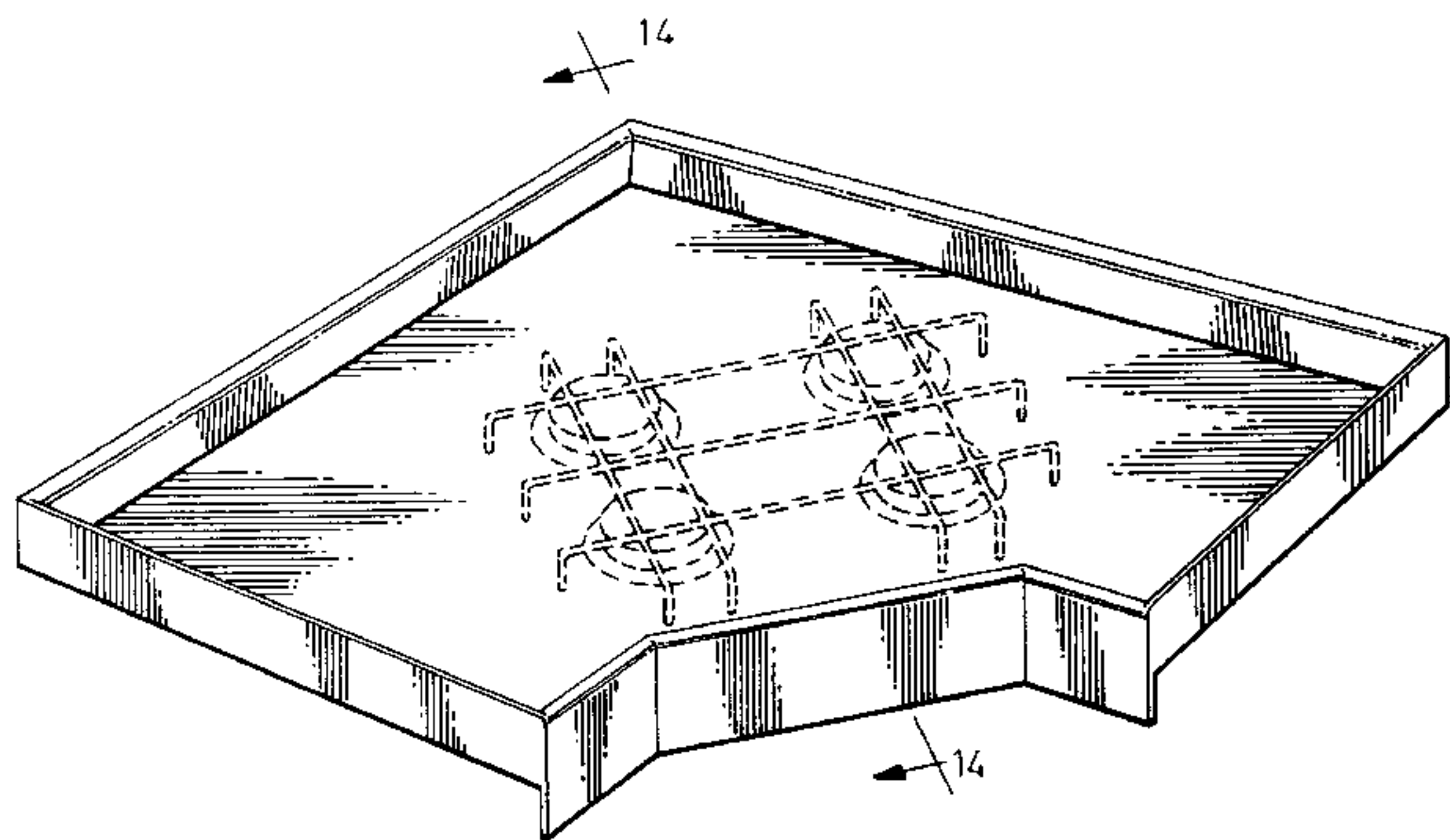
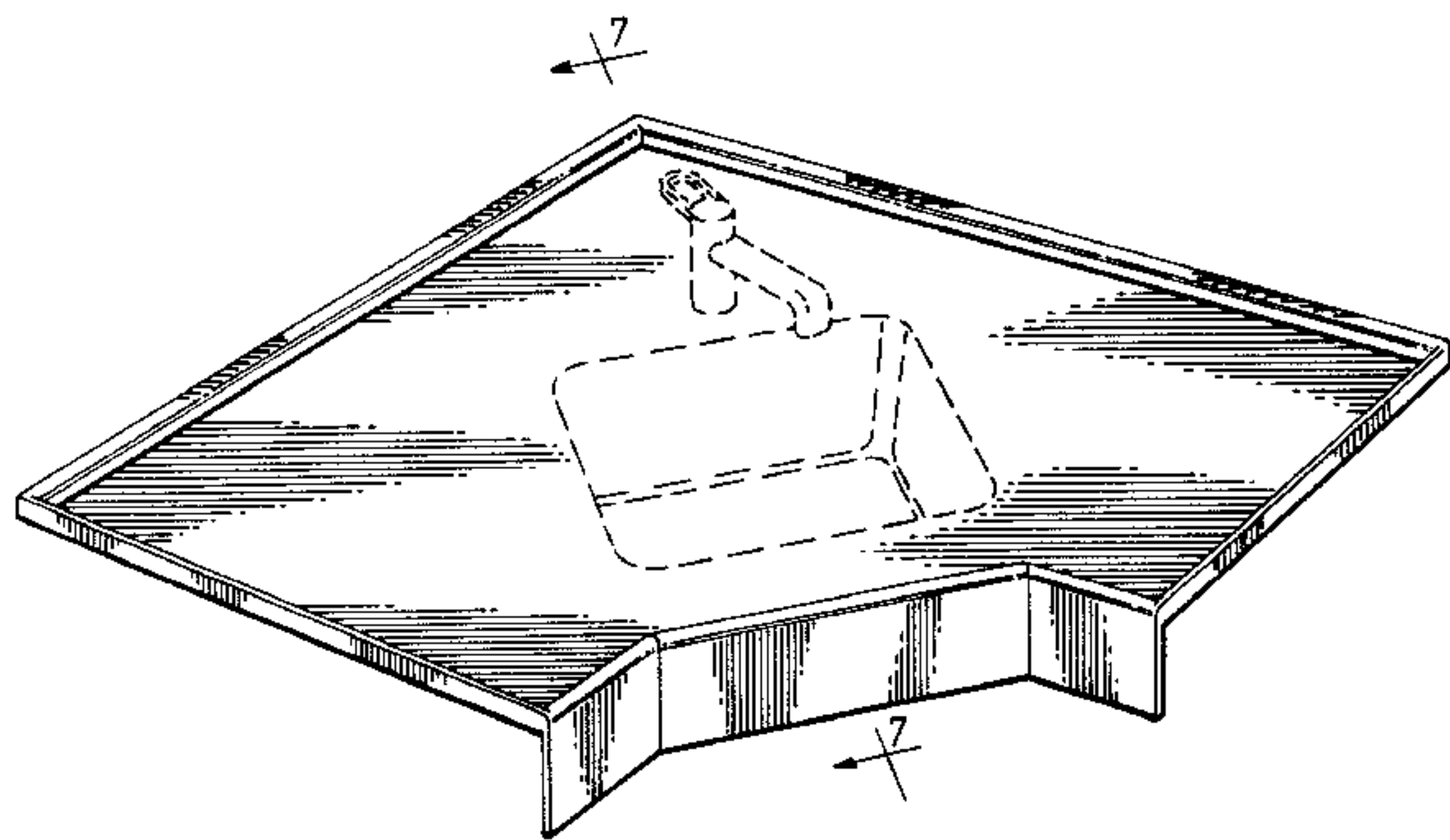
[56] References Cited

U.S. PATENT DOCUMENTS

D. 141,017	4/1945	Stanitz	D6/511
D. 175,672	9/1955	Crook	D6/511
D. 221,872	9/1971	Lancione	D6/481
D. 235,955	7/1975	Shelley, Jr.	D6/511
D. 242,196	11/1976	Salsgiver	D6/442
D. 272,306	1/1984	Kennedy	D6/511
D. 285,031	8/1986	Clark	D6/511
D. 366,170	1/1996	Temple	D6/511
D. 371,029	6/1996	Pagett	D6/511

The broken lines shown in FIGS. 1 and 8 are for environmental purposes only and form no part of the claimed design.

1 Claim, 4 Drawing Sheets



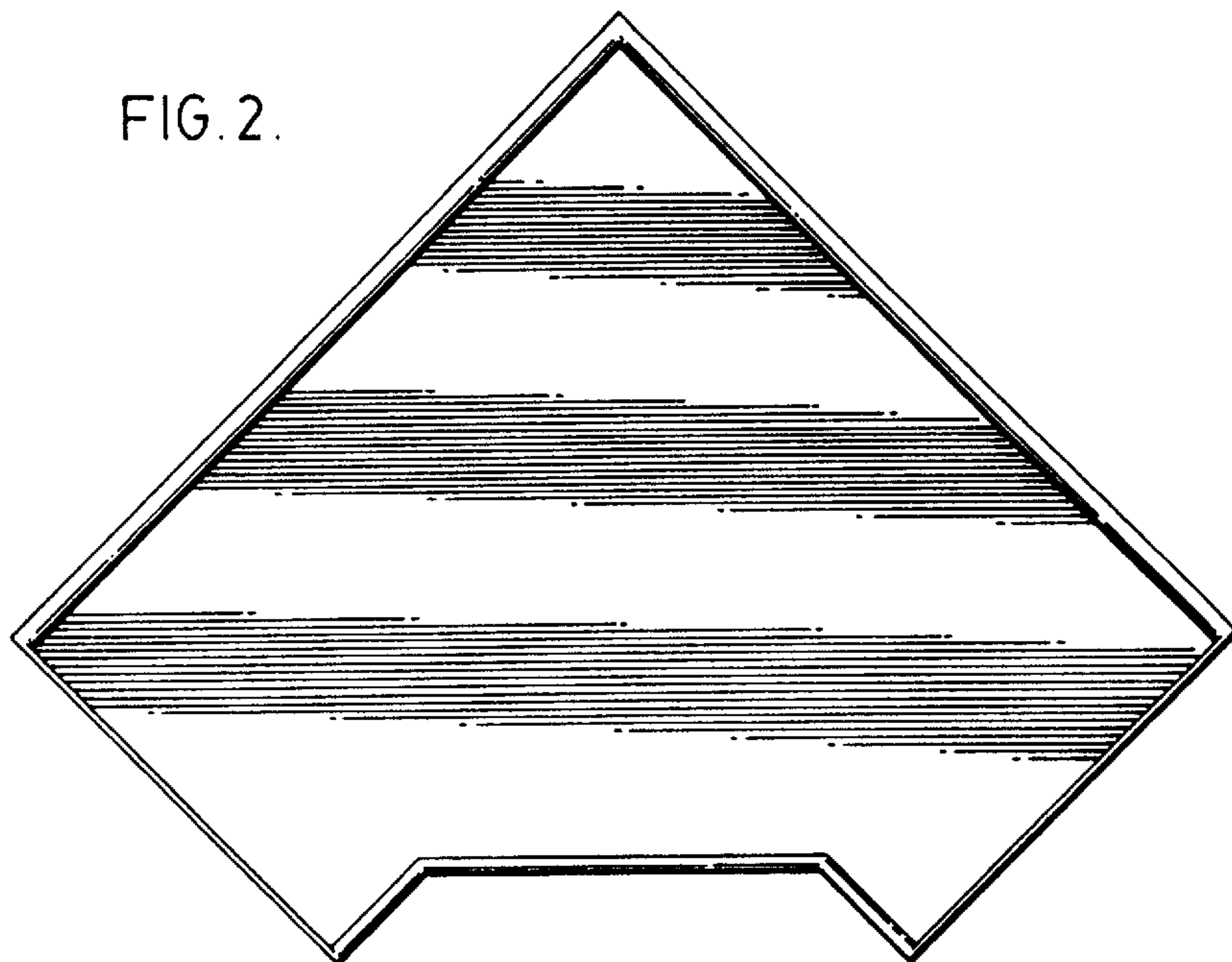
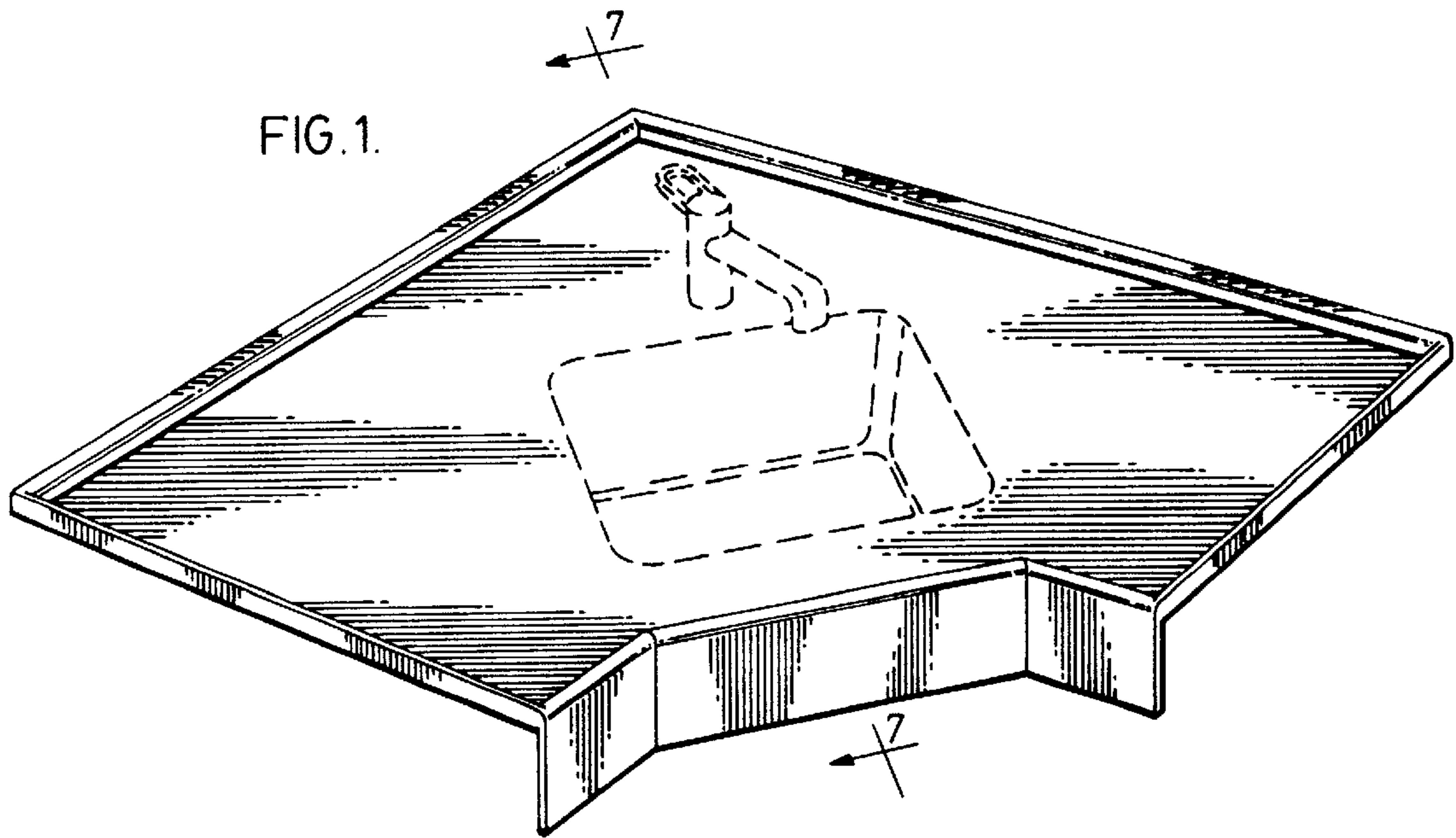


FIG. 3.



FIG. 4.

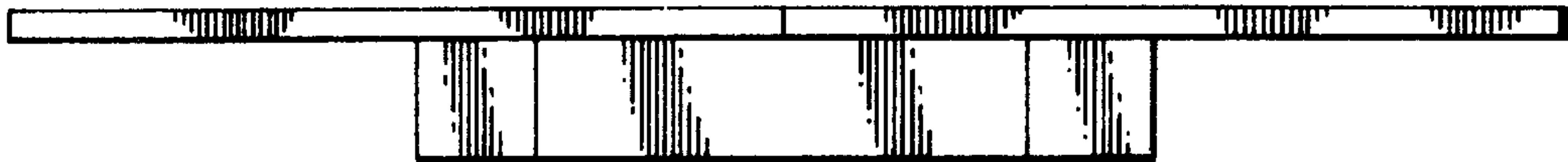


FIG. 5.

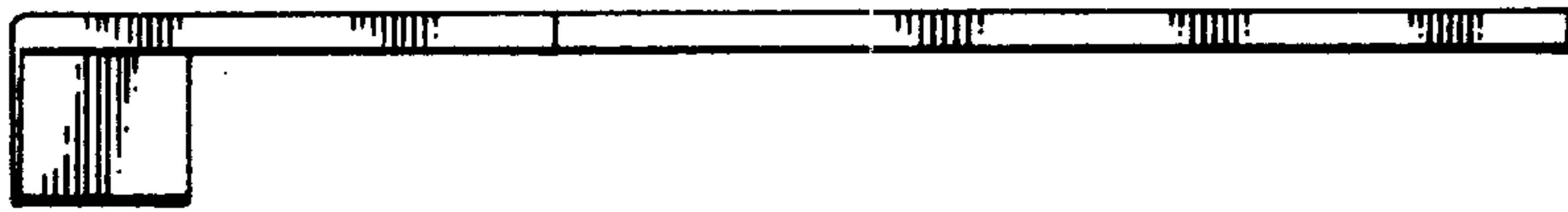


FIG. 6.

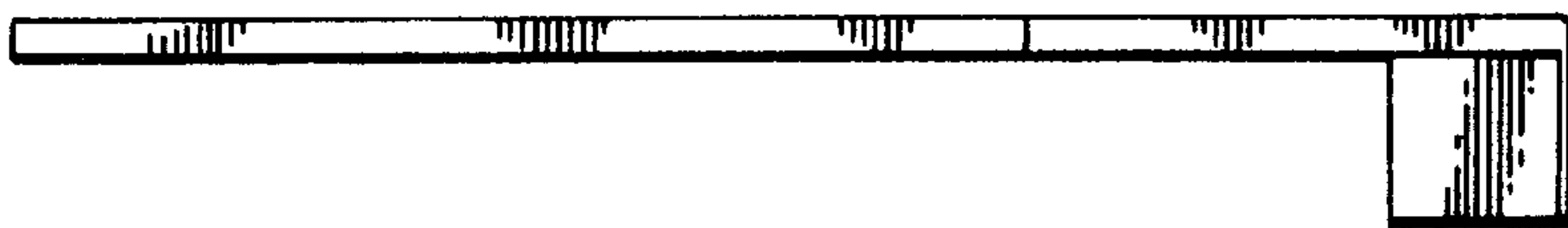
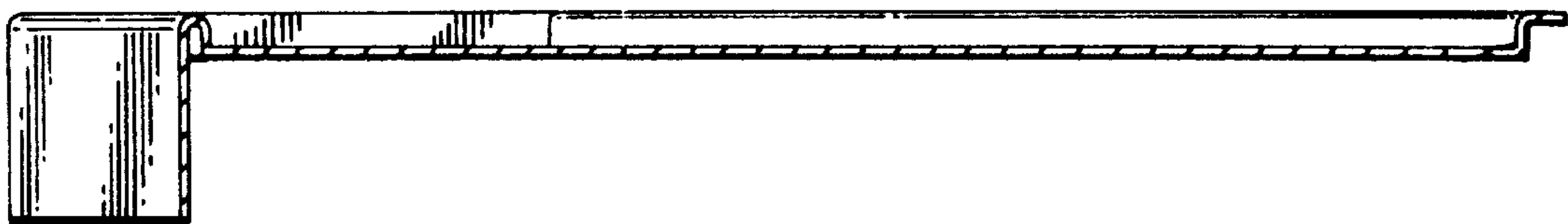


FIG. 7.



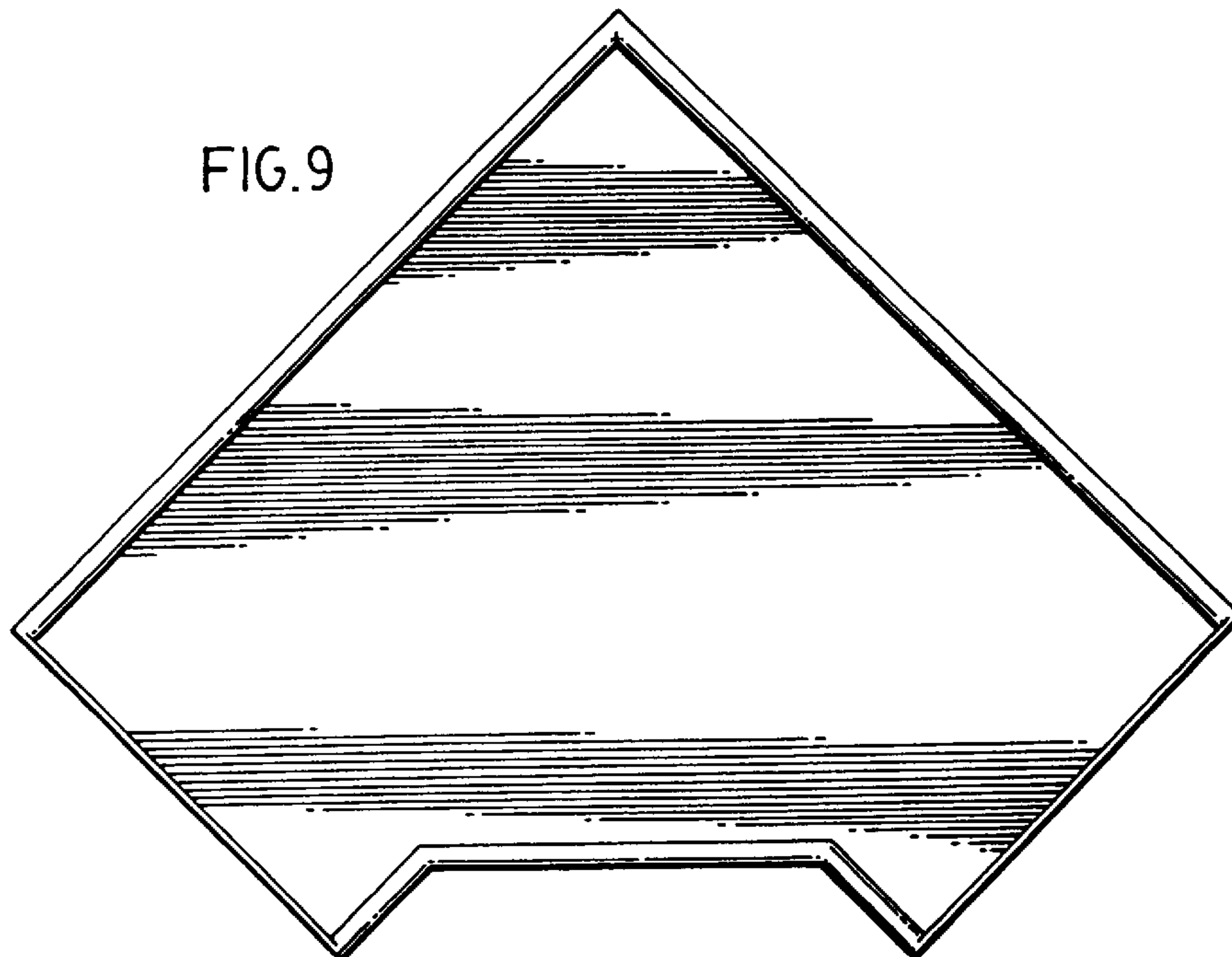
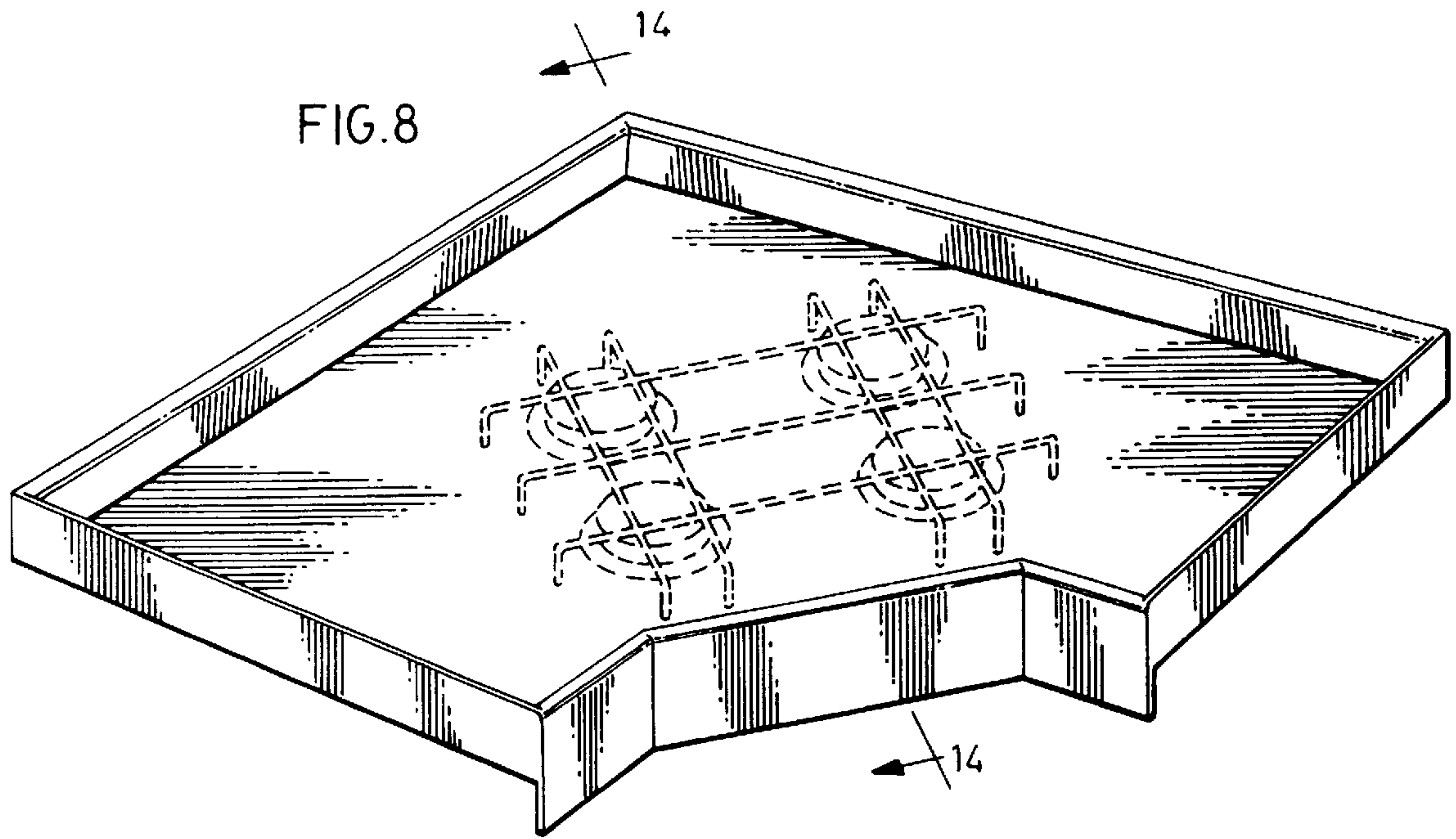


FIG.10

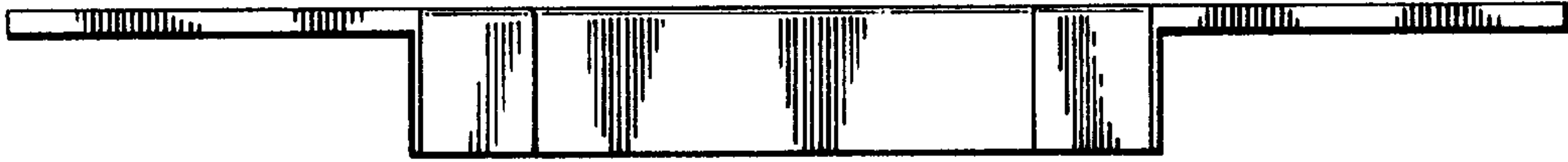


FIG.11



FIG.12

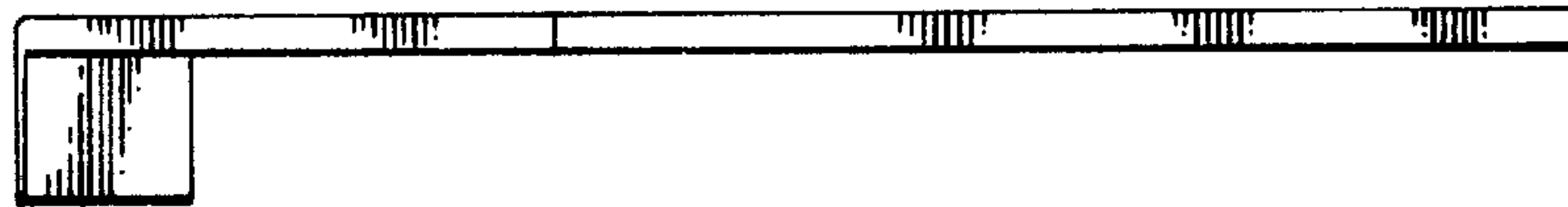


FIG.13

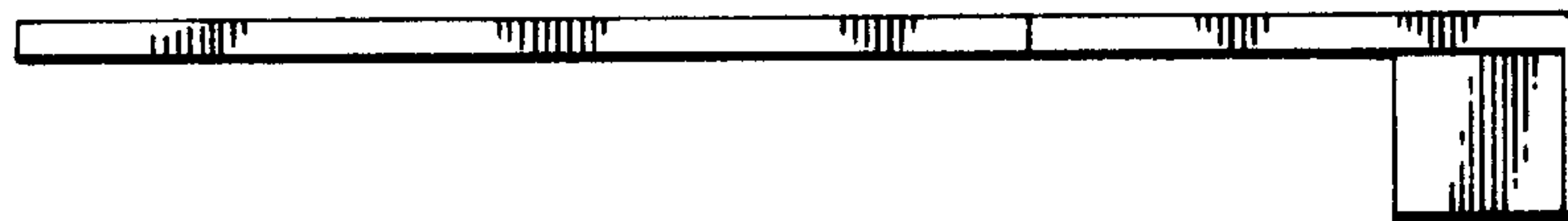


FIG.14

