

US00D434579S

United States Patent [19]
Rabb

[11] **Patent Number: Des. 434,579**

[45] **Date of Patent: ** Dec. 5, 2000**

[54] **STORAGE CHEST**

[75] Inventor: **Victor G. Rabb**, Charlotte, N.C.

[73] Assignee: **Medchest, Inc.**, Charlotte, N.C.

[**] Term: **14 Years**

[21] Appl. No.: **29/108,560**

[22] Filed: **Jul. 29, 1999**

[51] **LOC (7) Cl.** **06-04**

[52] **U.S. Cl.** **D6/432**

[58] **Field of Search** D6/432-448, 470;
312/313, 326, 327

[56] **References Cited**

U.S. PATENT DOCUMENTS

D. 41,976	12/1911	Leonard	D6/436 X
D. 218,328	8/1970	Rone	D6/440
D. 347,338	5/1994	Randle	D6/470
D. 383,278	9/1997	Jennings	D6/432

Primary Examiner—Cathron B. Matta
Attorney, Agent, or Firm—Dougherty & Clements LLP

[57] **CLAIM**

The ornamental design for a storage chest, as shown and described.

DESCRIPTION

FIG. 1 is an isometric view of a storage chest with the front open showing the new design and configuration; FIG. 2 is a front view of FIG. 1; FIG. 3 is a reduced top view of FIG. 1, with the front closed; FIG. 4 is a reduced side view of FIG. 3; FIG. 5 is another reduced front view of FIG. 3; FIG. 6 is a reduced side view of FIG. 3; FIG. 7 is a reduced back view of FIG. 1; FIG. 8 is an isometric view of an alternative embodiment of my storage chest showing the new design and configuration; FIG. 9 is a front view of FIG. 8; FIG. 10 is a reduced top view of FIG. 8, with the front closed; FIG. 11 is a reduced side view of FIG. 8; FIG. 12 is a reduced front view of FIG. 8; FIG. 13 is a reduced side view of FIG. 8; and, FIG. 14 is a reduced back view of FIG. 8.

The bottom of the storage chest form no part of the claimed design.

The surfaces or portions of the article not shown in the drawing or described in the specification form no part of the claimed design.

1 Claim, 4 Drawing Sheets

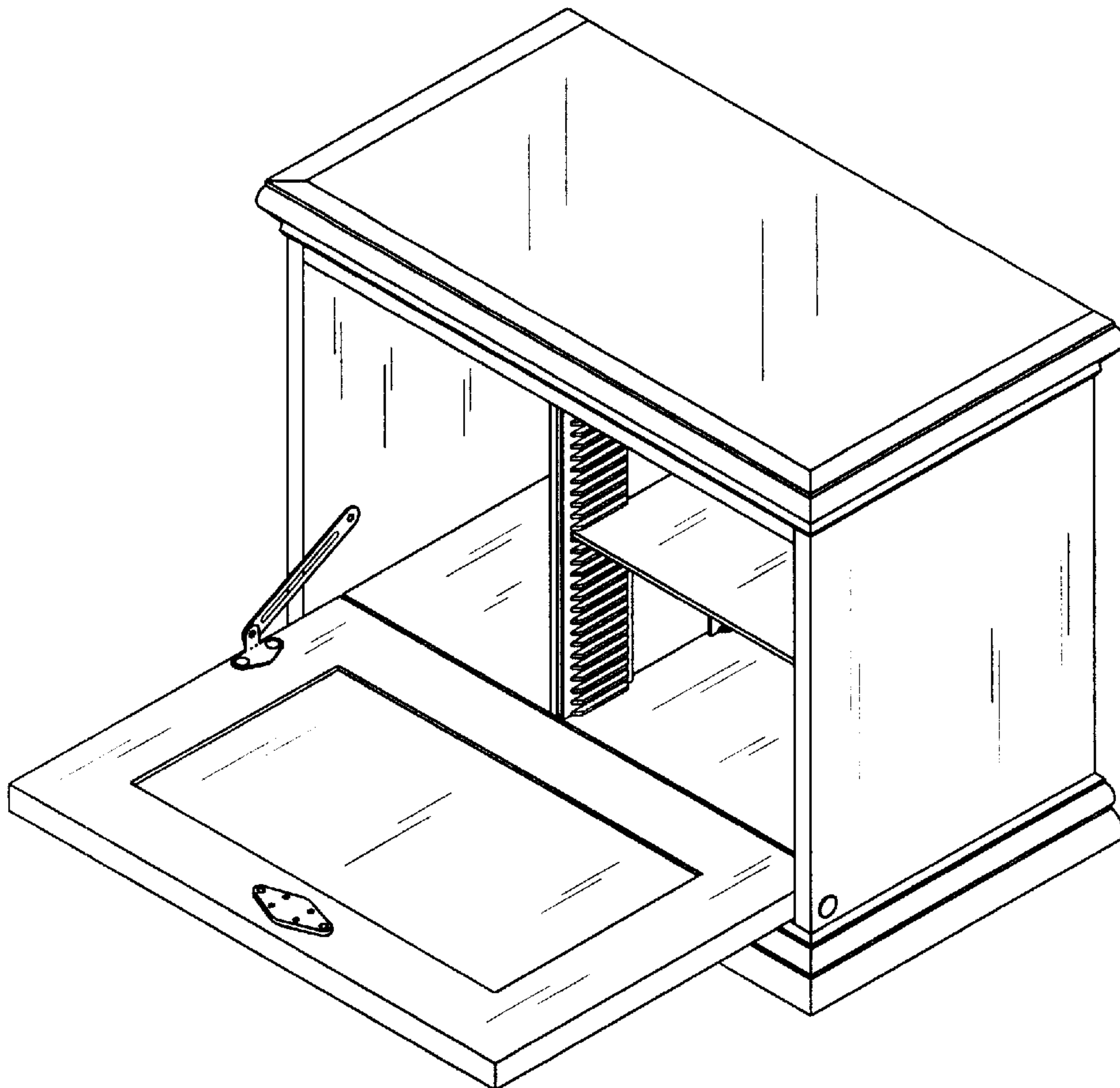


Fig. 1

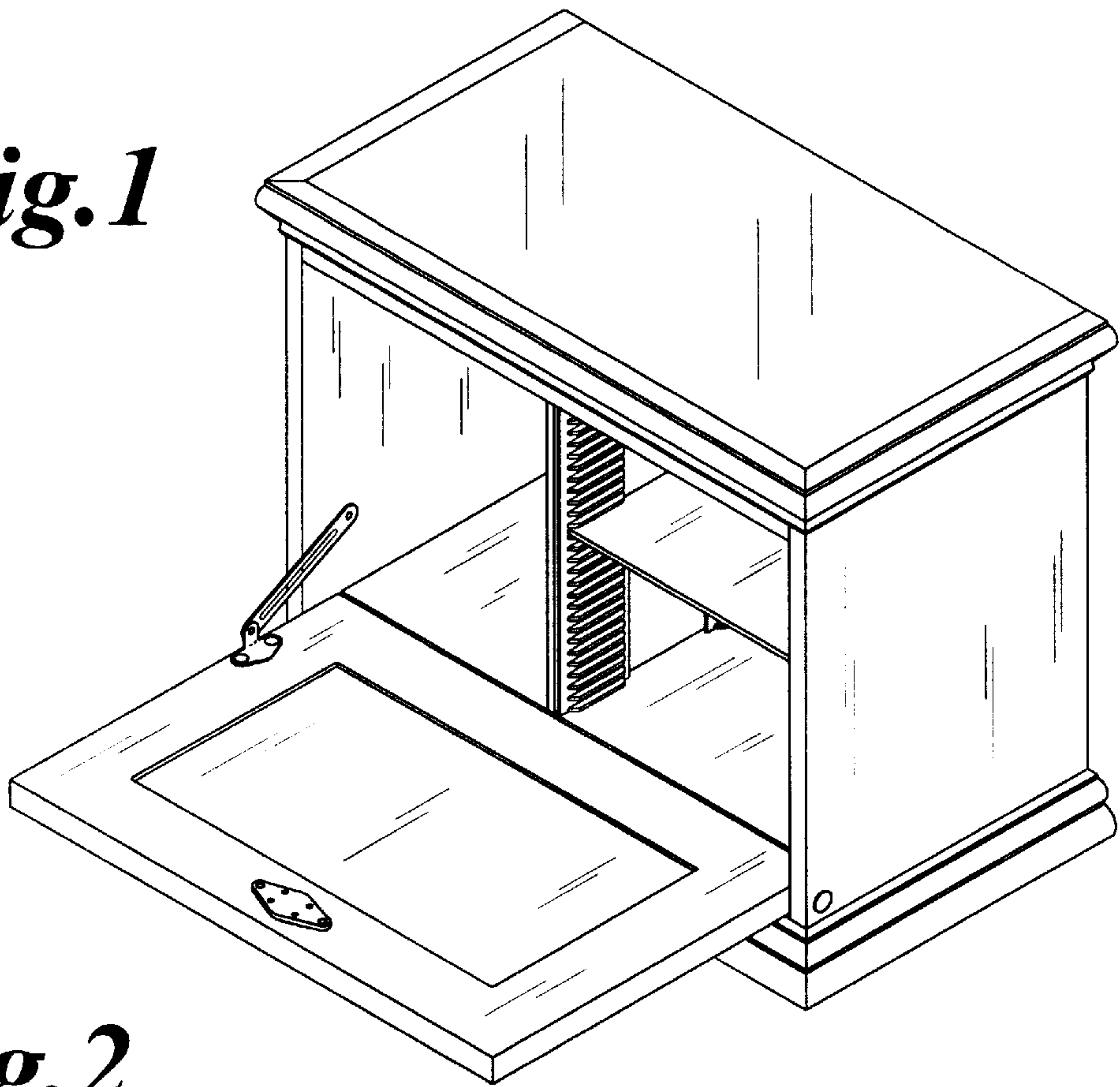


Fig. 2

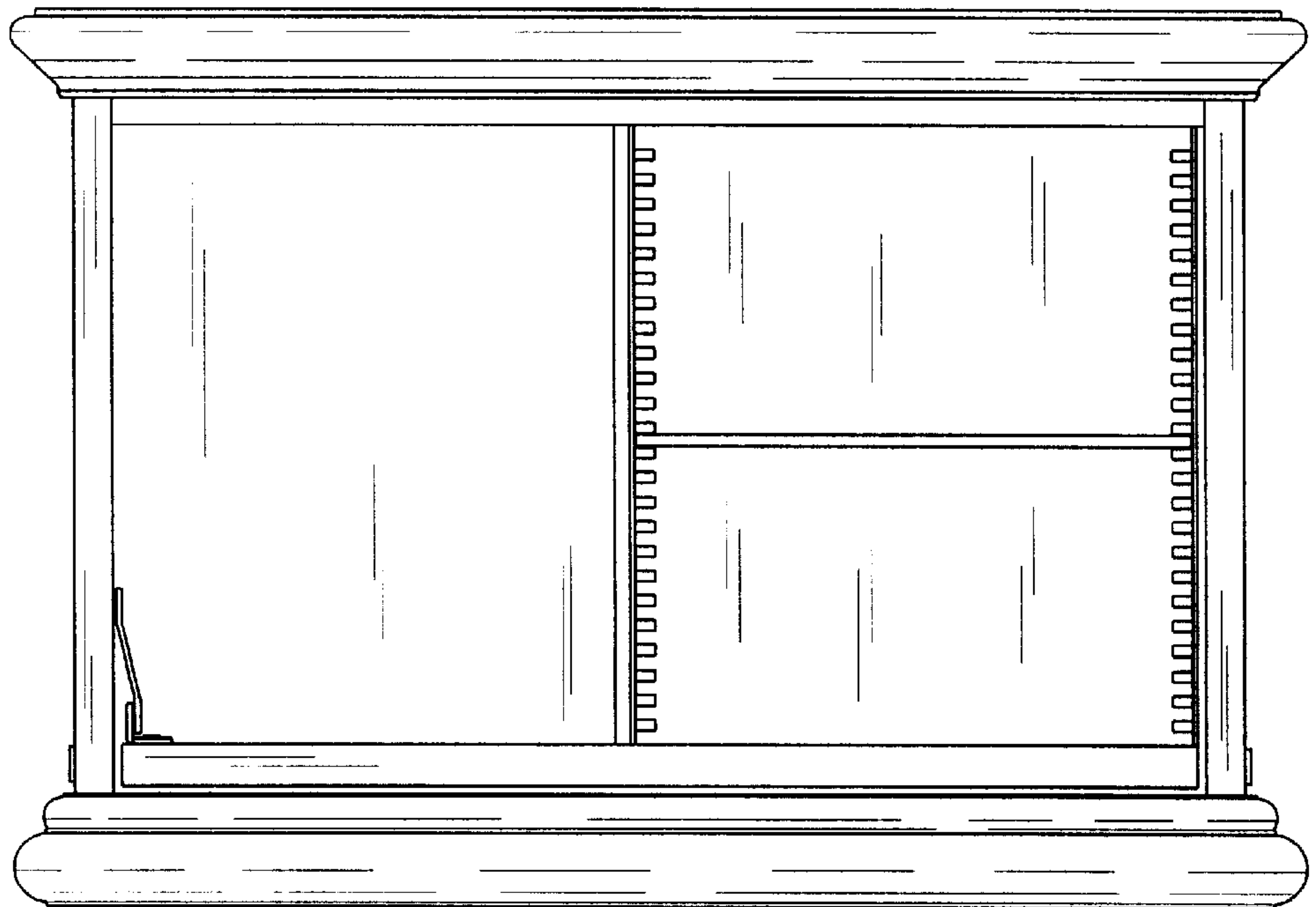


Fig. 3

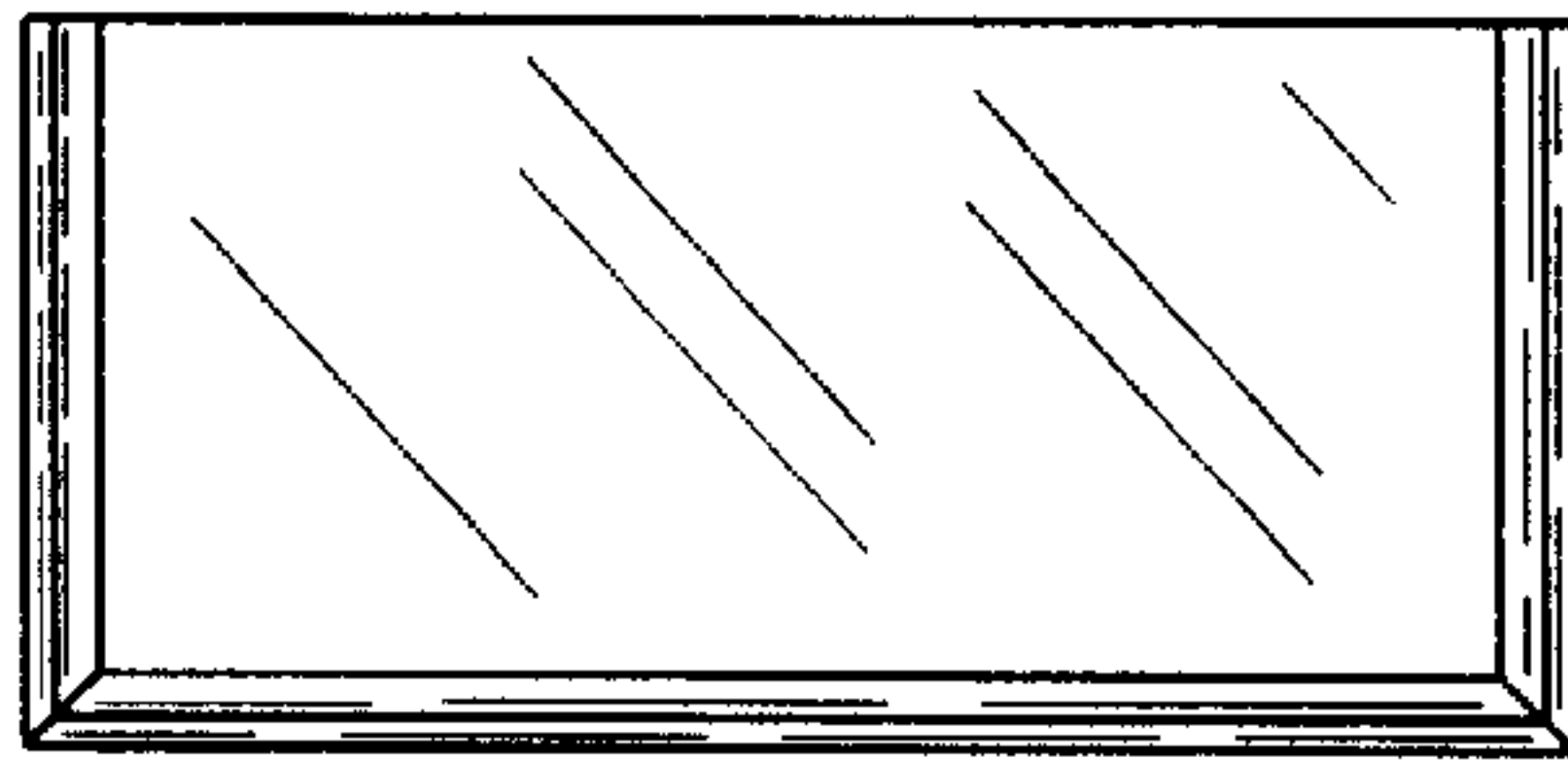


Fig. 4

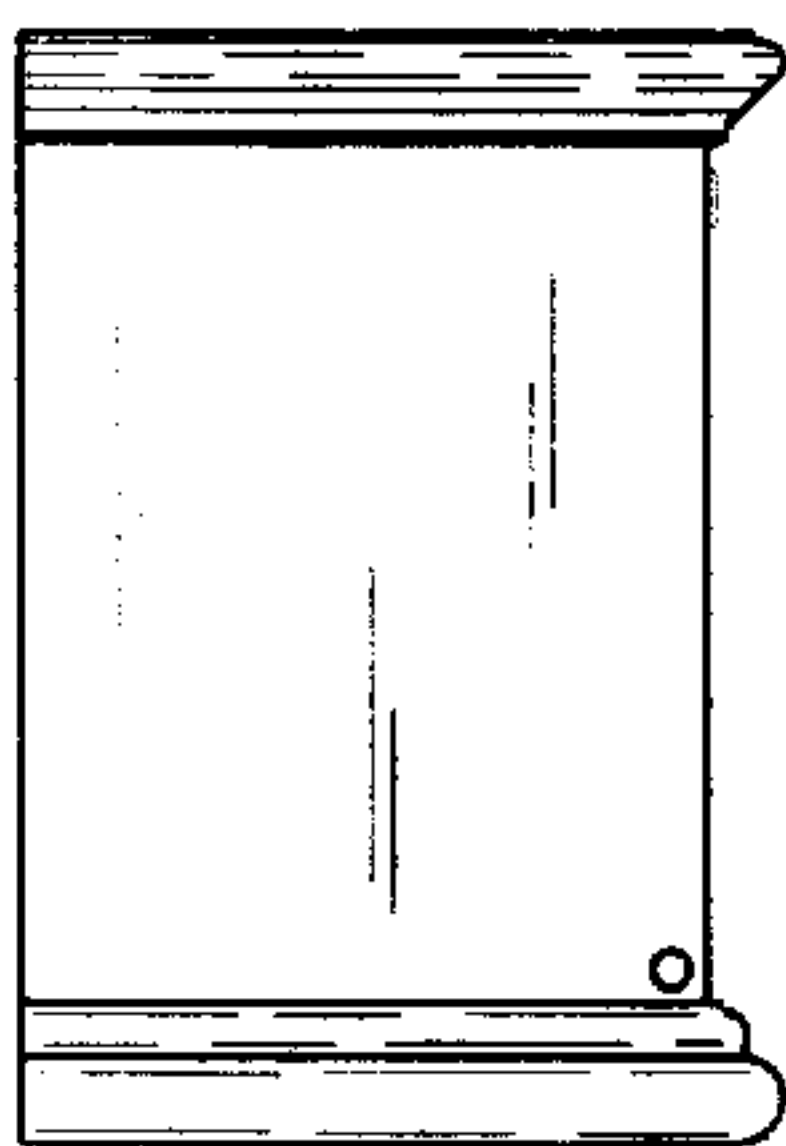


Fig. 5

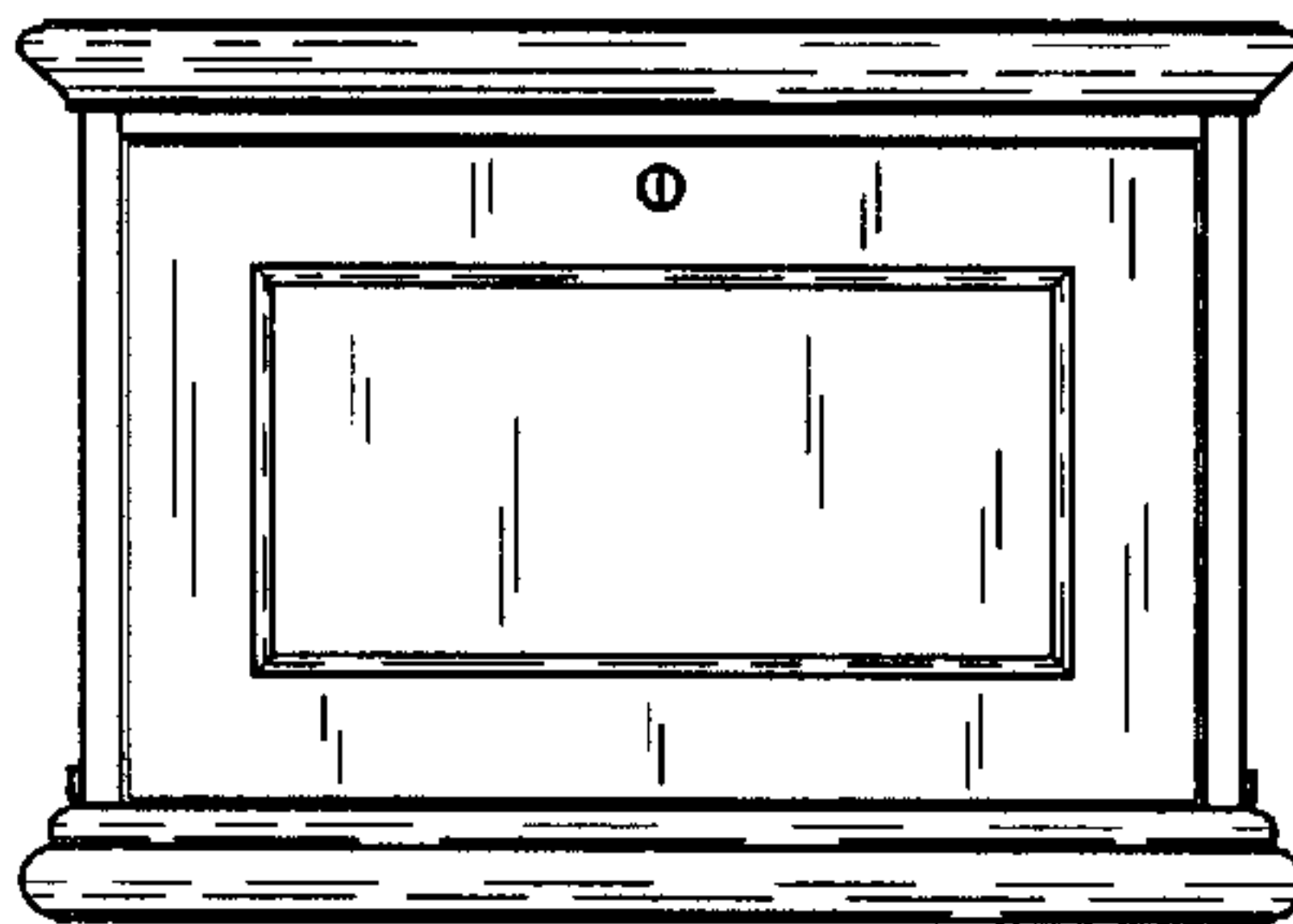


Fig. 6

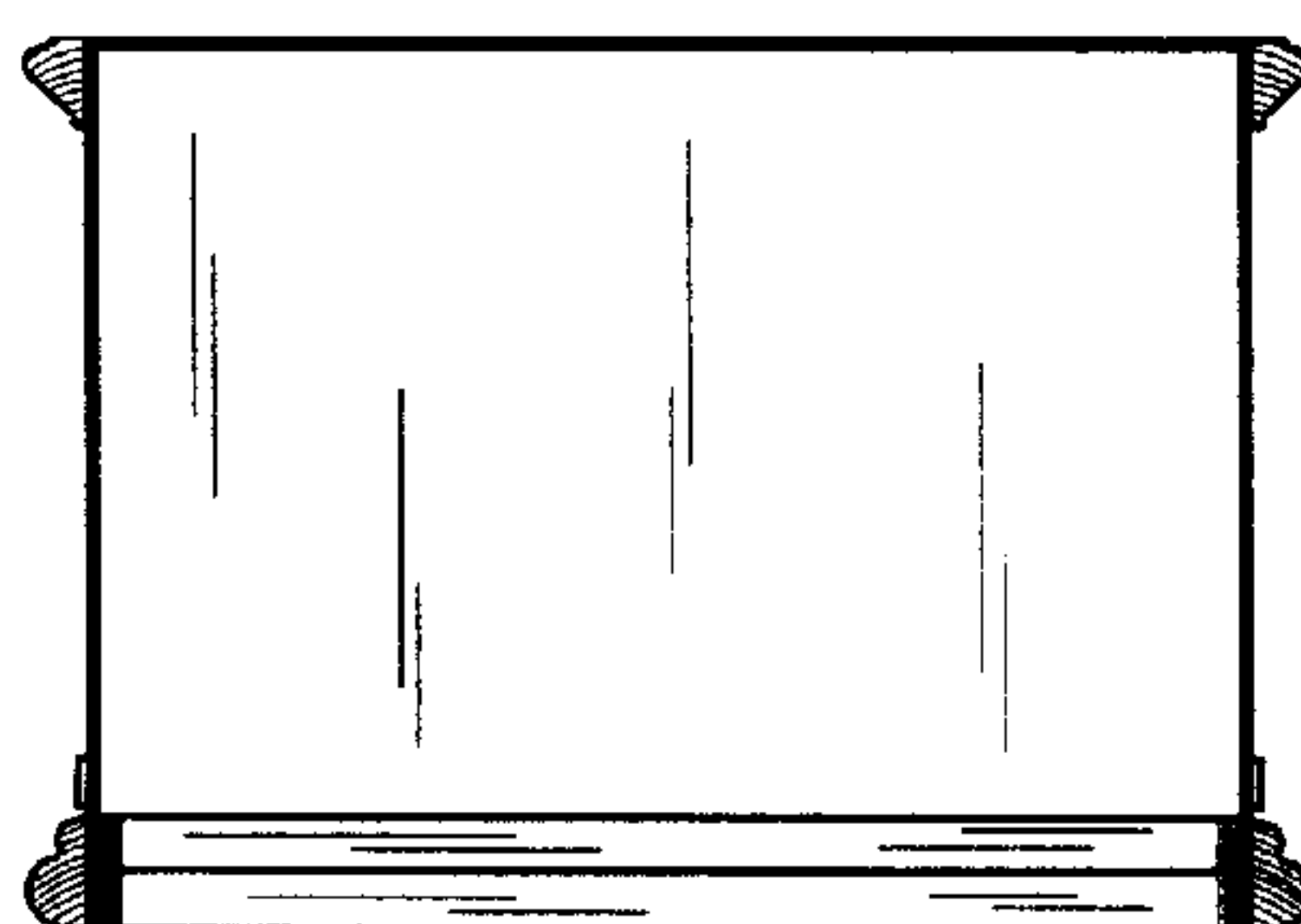
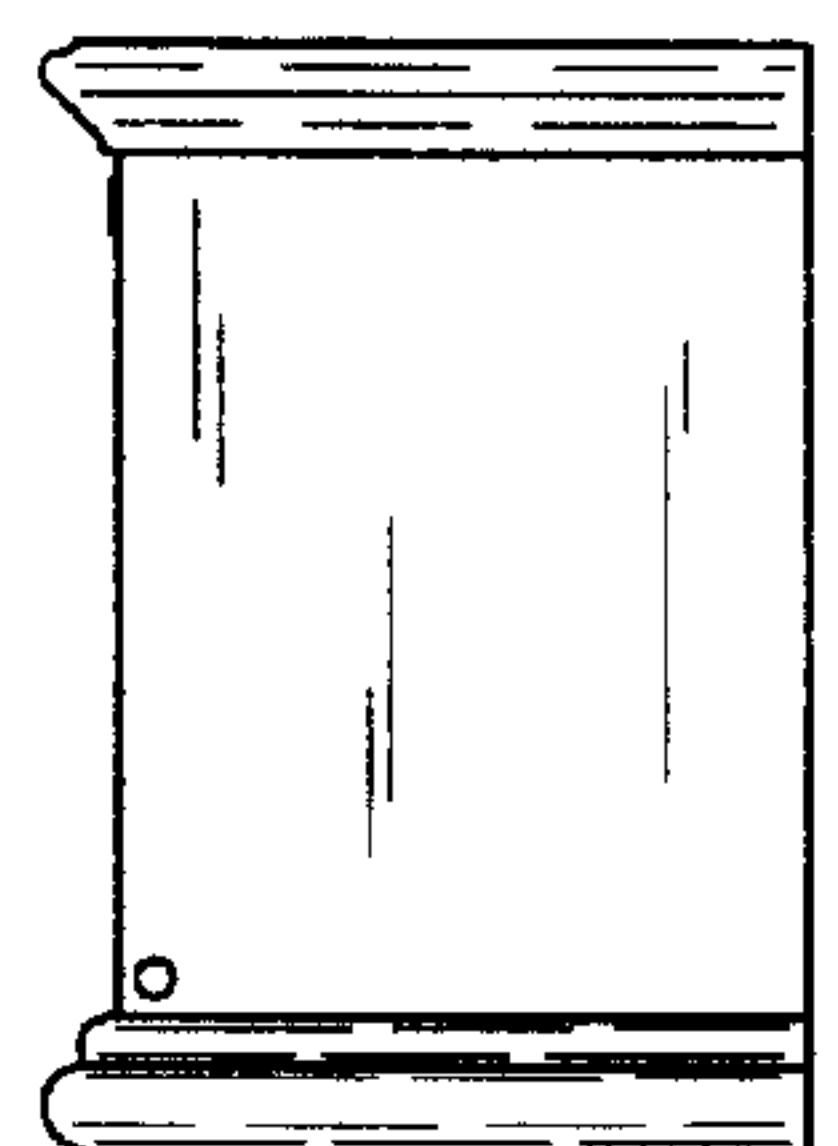


Fig. 7

Fig. 8

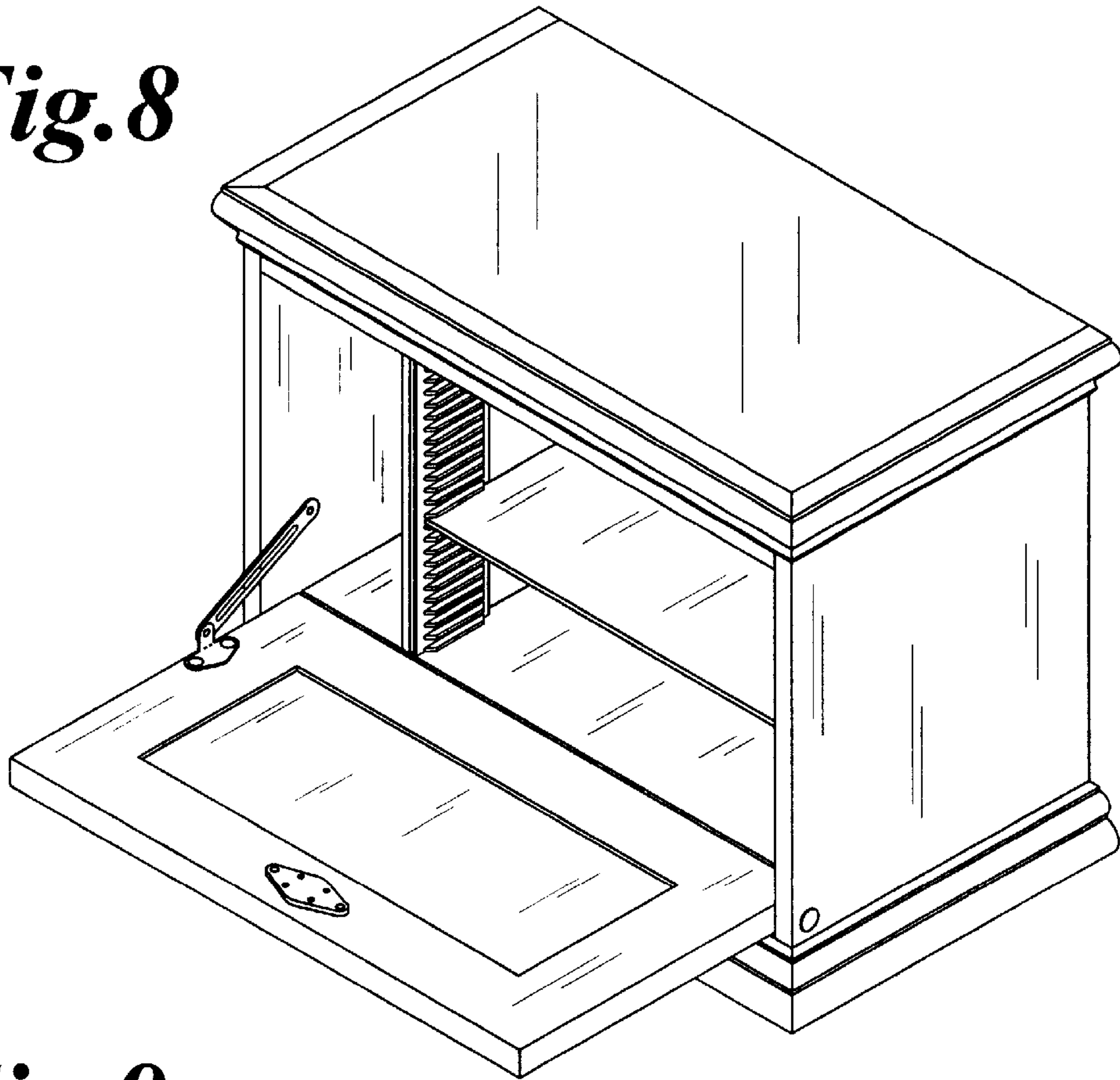


Fig. 9

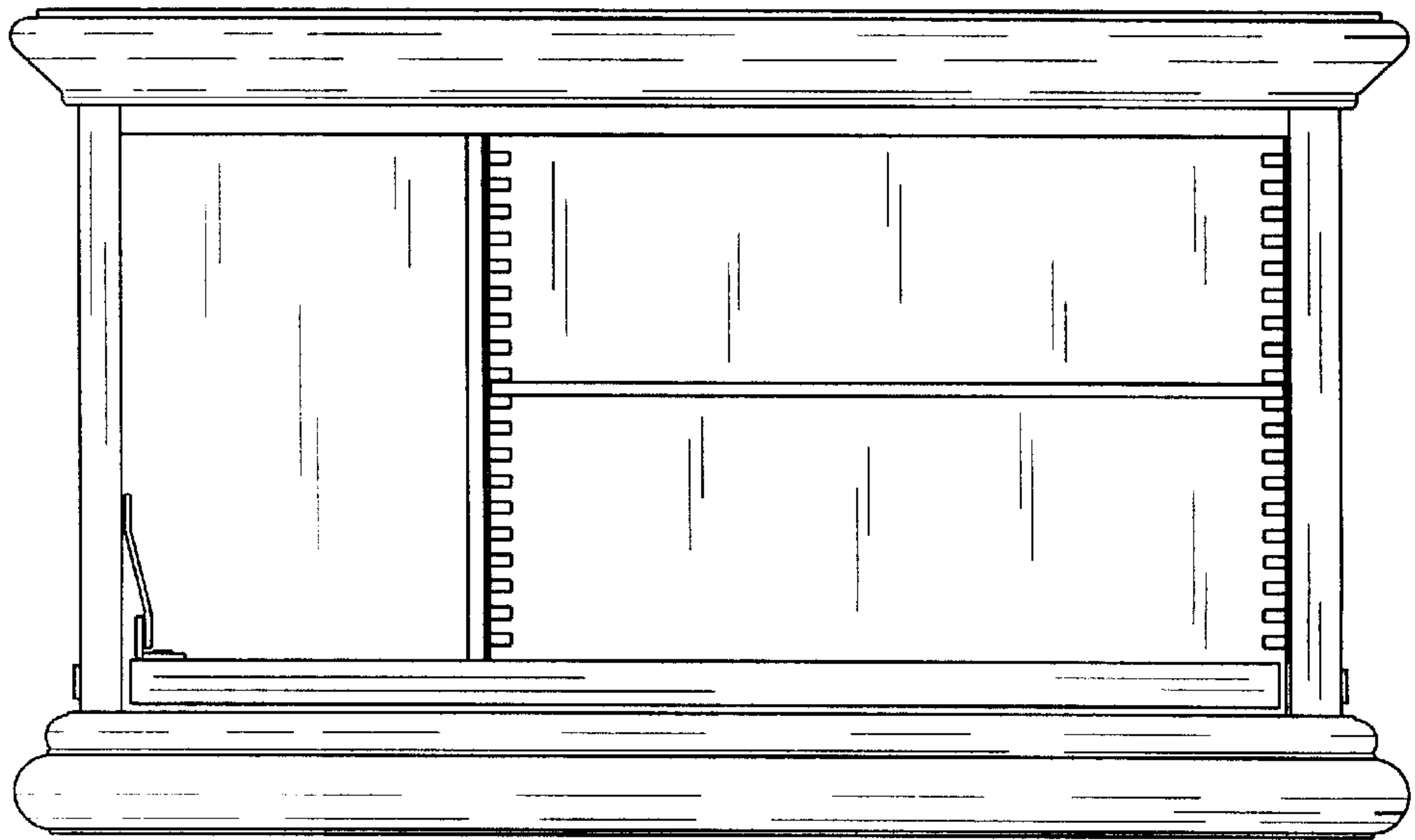


Fig. 10

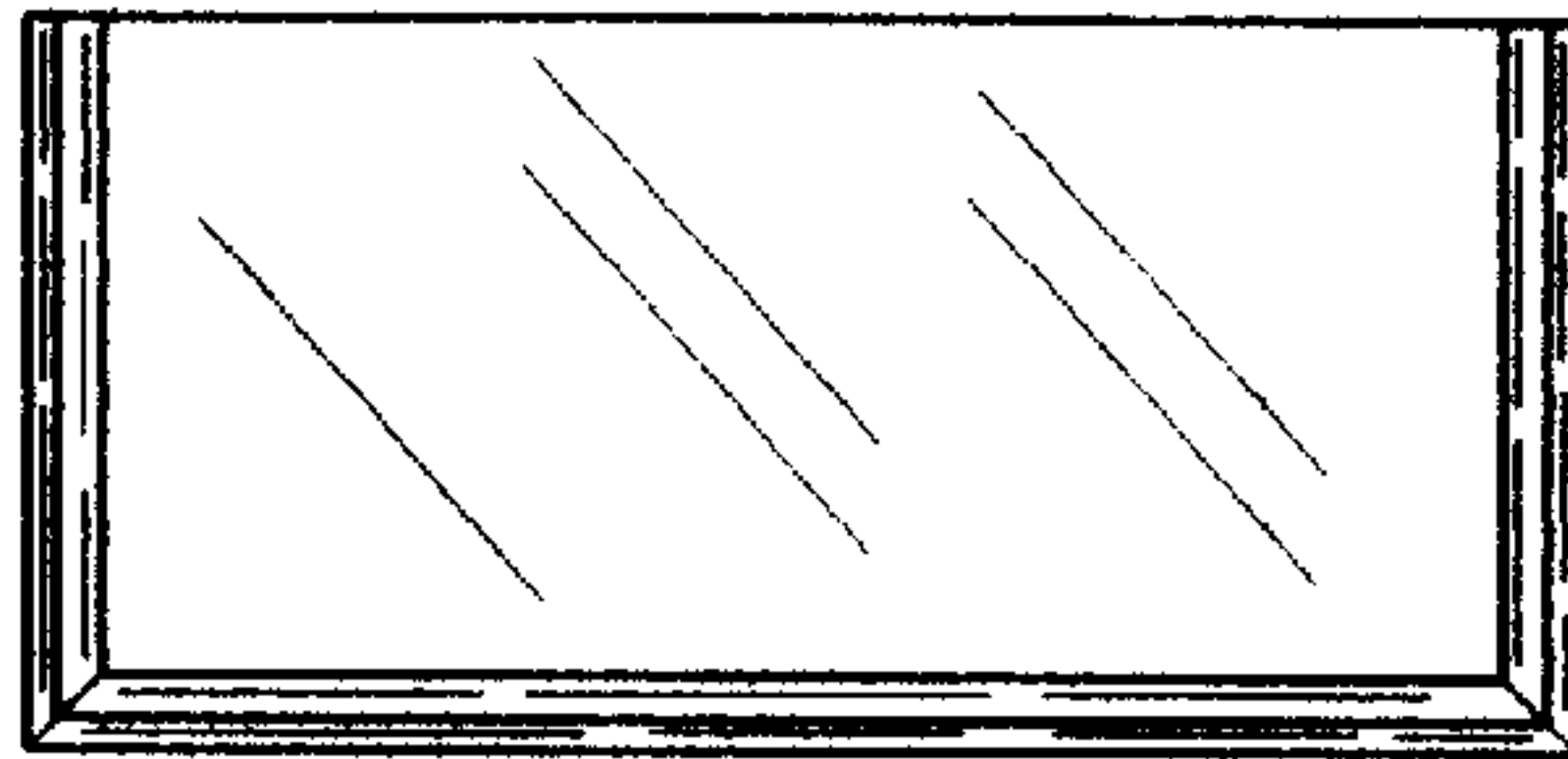


Fig. 11

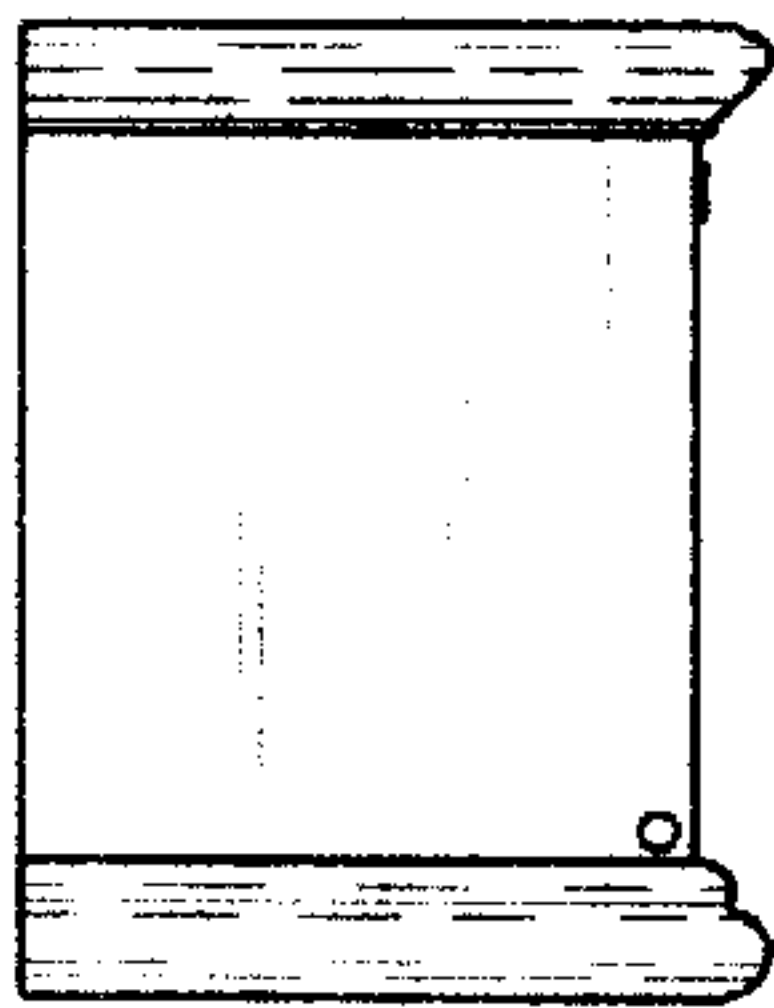


Fig. 12

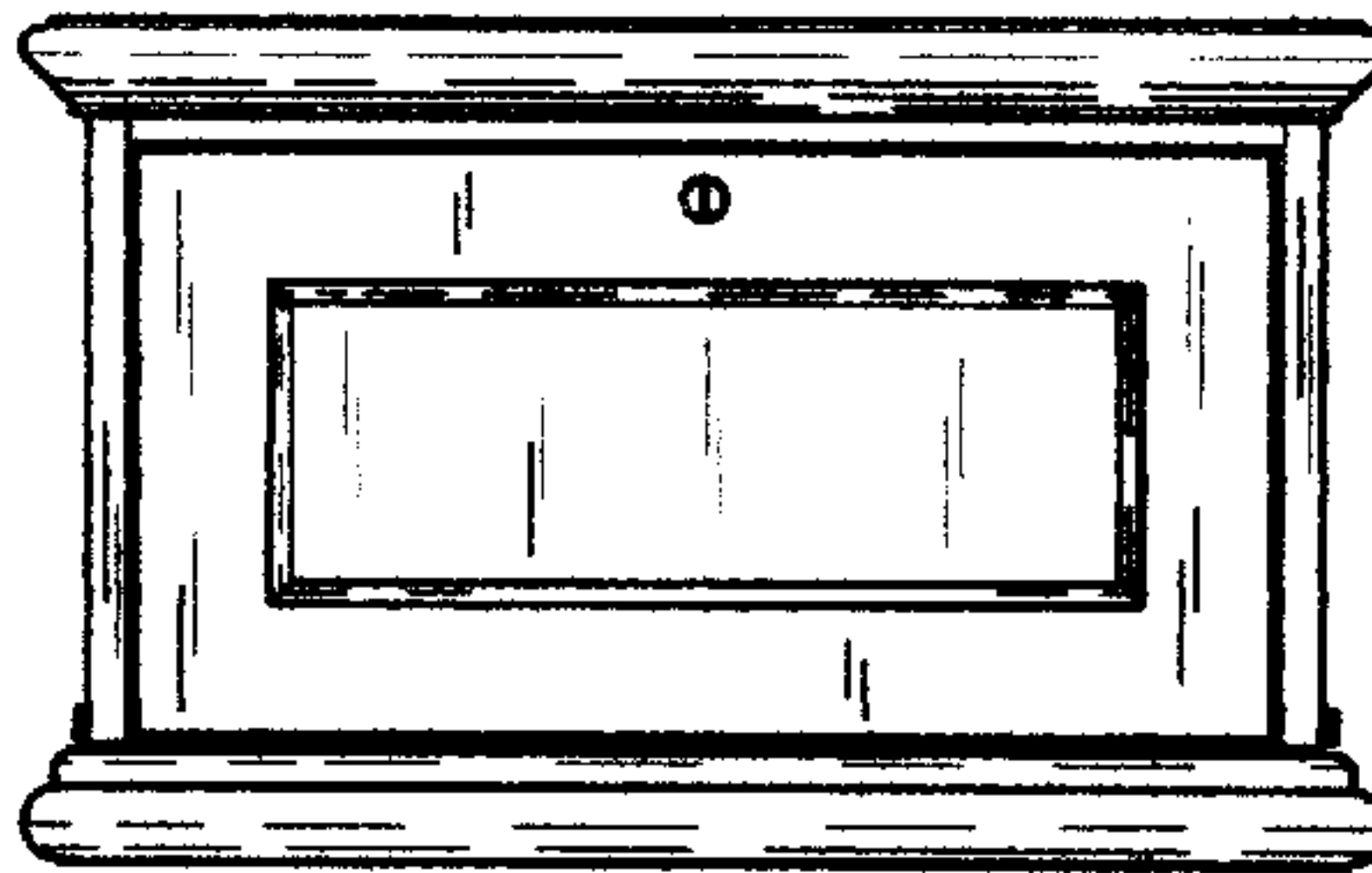


Fig. 13

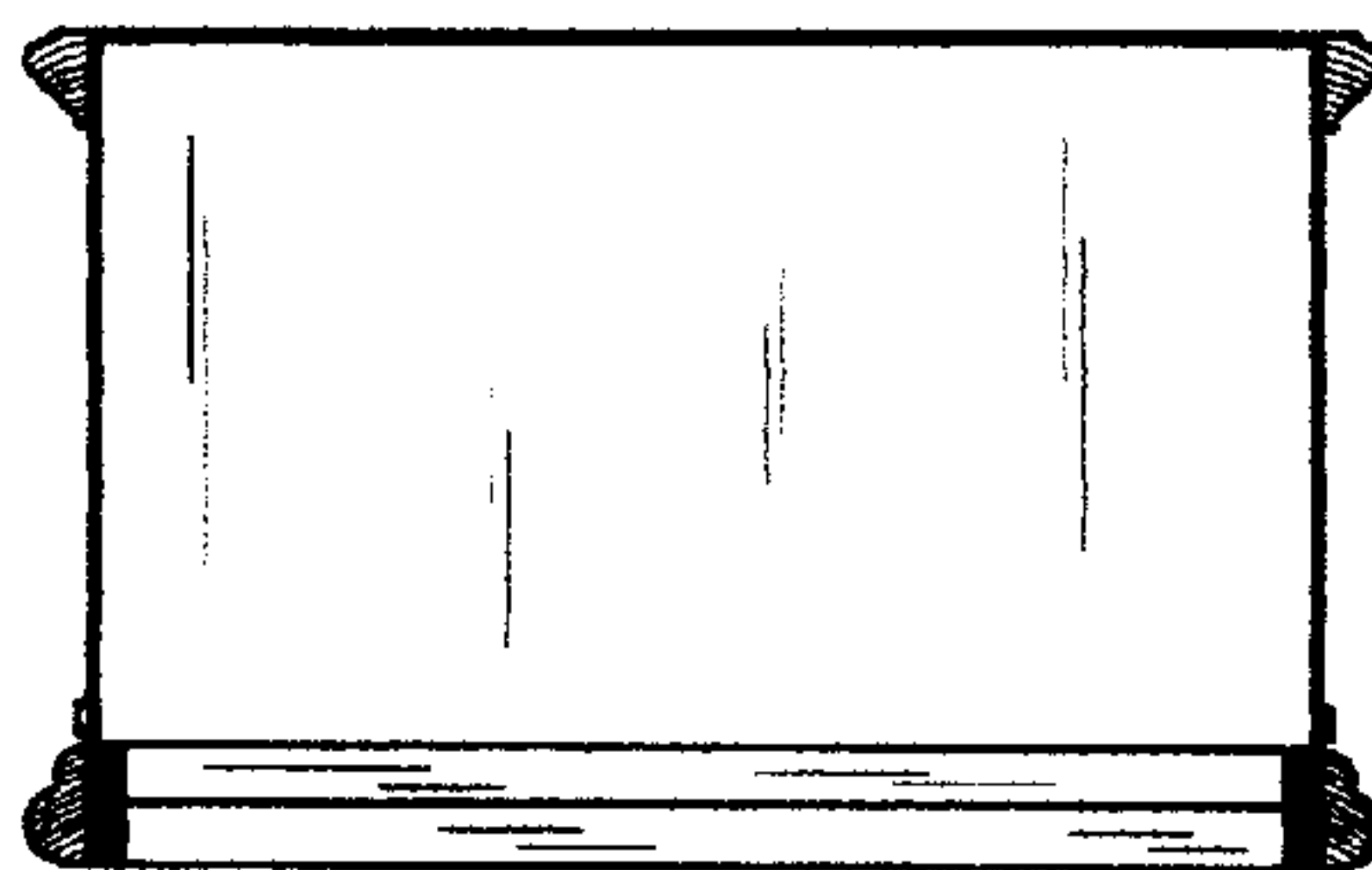
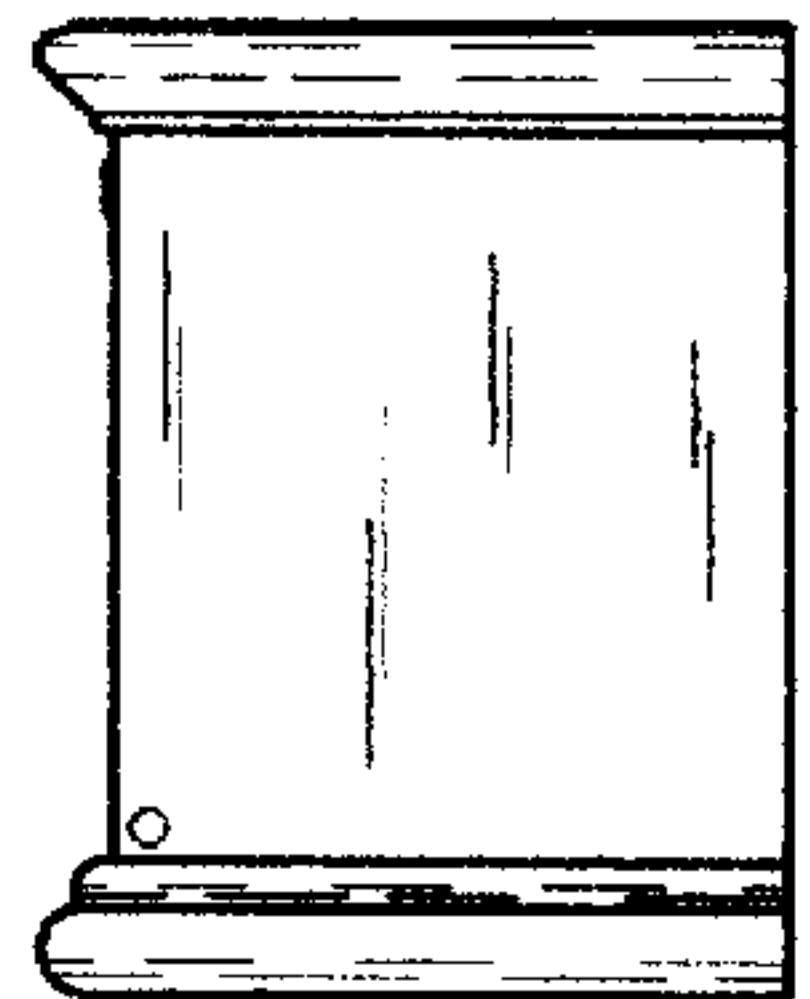


Fig. 14