



US00D434578S

United States Patent [19] Goza

[11] **Patent Number: Des. 434,578**

[45] **Date of Patent: ** Dec. 5, 2000**

[54] **COMPUTER WORKSTATION**

[76] Inventor: **Roger Goza**, 14118 W. Cypress Forest Dr., Houston, Tex. 77070

[**] Term: **14 Years**

[21] Appl. No.: **29/112,686**

[22] Filed: **Oct. 21, 1999**

[51] **LOC (7) Cl.** **06-04**

[52] **U.S. Cl.** **D6/425**

[58] **Field of Search** D6/422, 425, 426,
D6/428, 429, 430, 438, 439, 445, 555;
312/196, 204, 313, 314, 223.1, 223.3; 108/1,
6

[56] **References Cited**

U.S. PATENT DOCUMENTS

D. 182,833	5/1958	Lubberts et al.	D6/425
D. 250,868	1/1979	Ornatek	D6/445
D. 282,421	2/1986	Lewellen et al.	D6/425
D. 293,284	12/1987	Wright et al.	D6/425
D. 293,403	12/1987	Umanoff et al.	D6/555
D. 407,916	4/1999	Zaidman et al.	D6/397

OTHER PUBLICATIONS

Design drawing: "Workstation for Monorail Computer." RG&A Products, Houston, Texas.

Design drawing: "Workstation w/Short Door and Fenders." Proximity Systems, Inc., Houston, Texas. Oct. 28, 1998.

Design drawing: "Workstation for Planar Computer." Proximity Systems, Inc., Houston, Texas. Dec. 3, 1998.

Primary Examiner—Cathron Brooks
Attorney, Agent, or Firm—Browning Bushman

[57] **CLAIM**

The ornamental design for a computer workstation, as shown and described.

DESCRIPTION

FIG. 1 is a front elevational, perspective view of the computer workstation of the present invention with accompanying work surface opened;

FIG. 2 is a front elevational view thereof with accompanying work surface opened;

FIG. 3 is a right side elevational view thereof with accompanying work surface opened, the left side being a mirror image thereof;

FIG. 4 is a top plan view thereof with accompanying work surface opened;

FIG. 5 is a bottom plan view thereof with accompanying work surface opened;

FIG. 6 is a front elevational view thereof with accompanying work surface closed;

FIG. 7 is a right side elevational view thereof with accompanying work surface closed, the left side being a mirror image thereof;

FIG. 8 is a top plan view thereof with accompanying work surface closed;

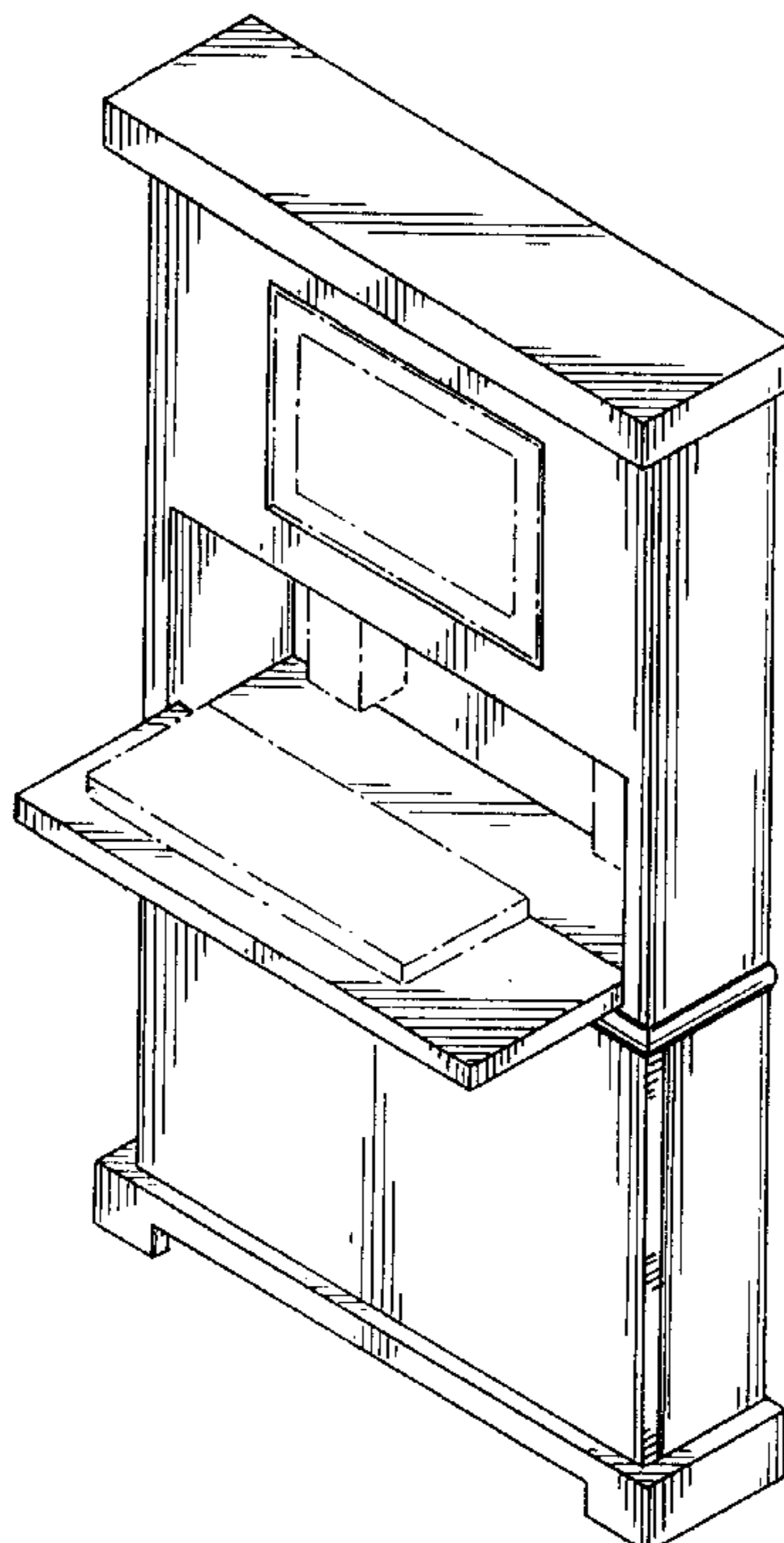
FIG. 9 is a bottom plan view thereof with accompanying work surface closed; and,

FIG. 10 is a bottom perspective view thereof with accompanying work surface and bottom door opened.

The surface(s) or portion(s) of the article not shown in the drawing or described in the specification form(s) no part of the claimed design.

The broken lines shown are for illustrative purposes only and form no part of the claimed design.

1 Claim, 3 Drawing Sheets



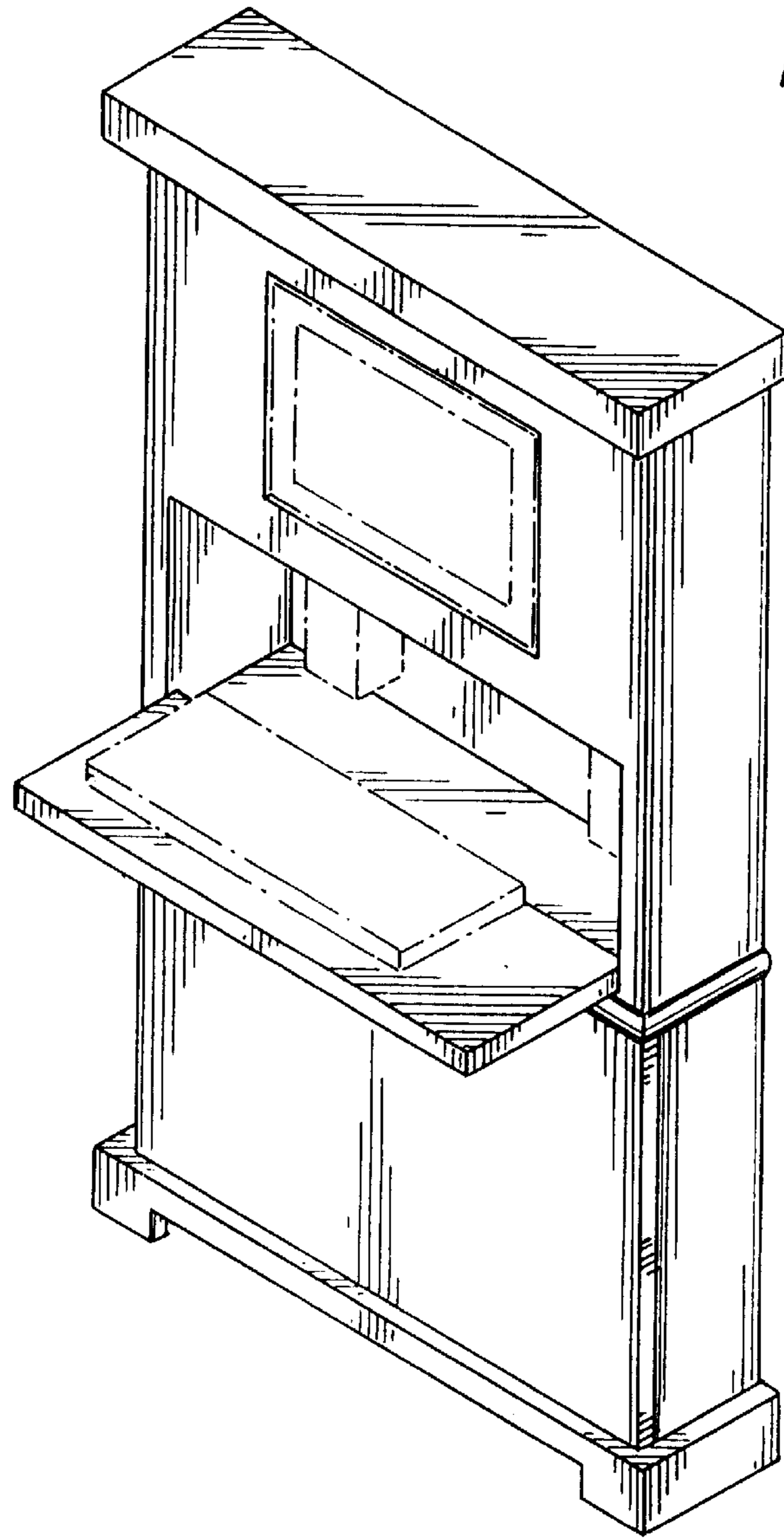


FIG. 1

FIG. 4

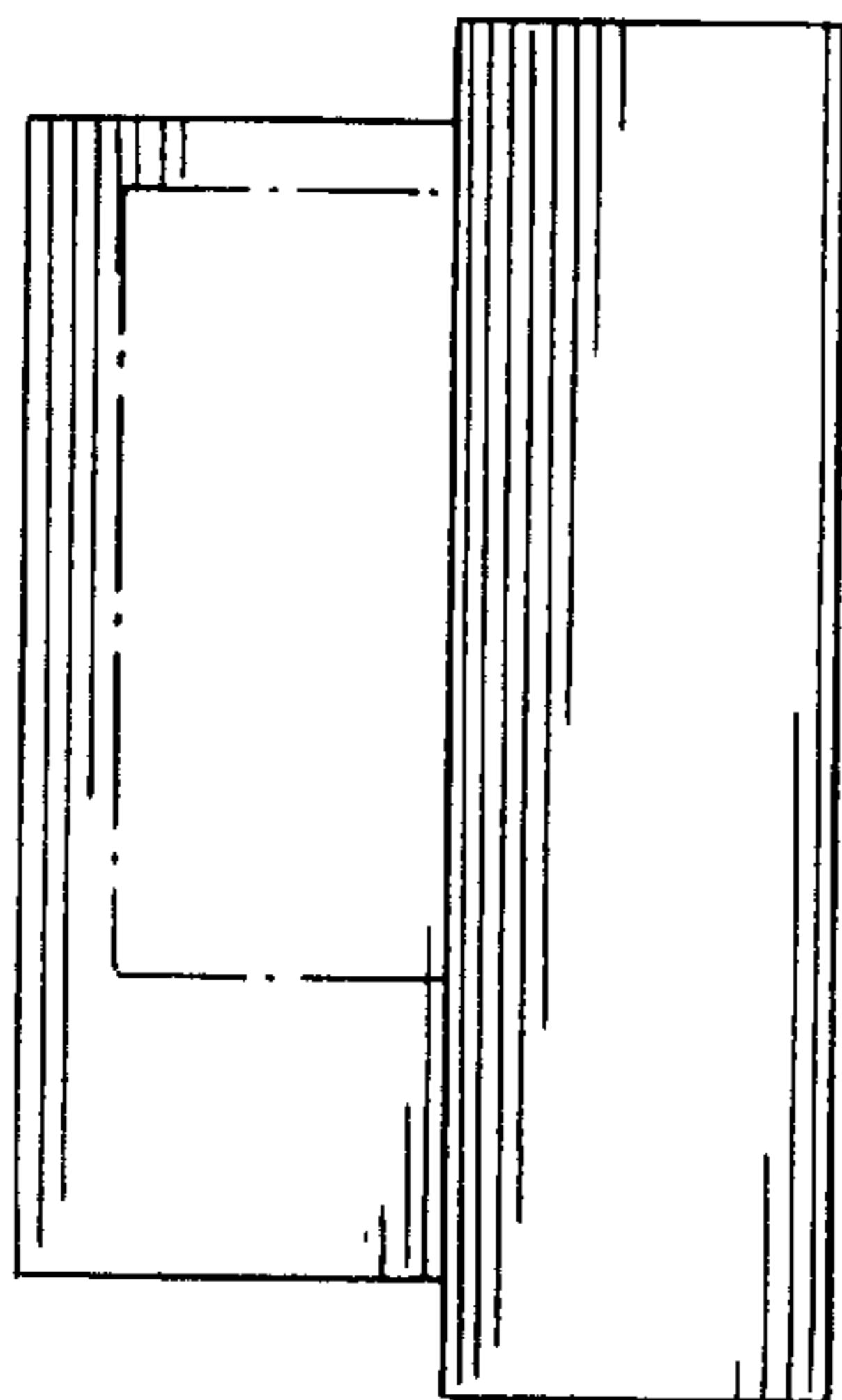


FIG. 5

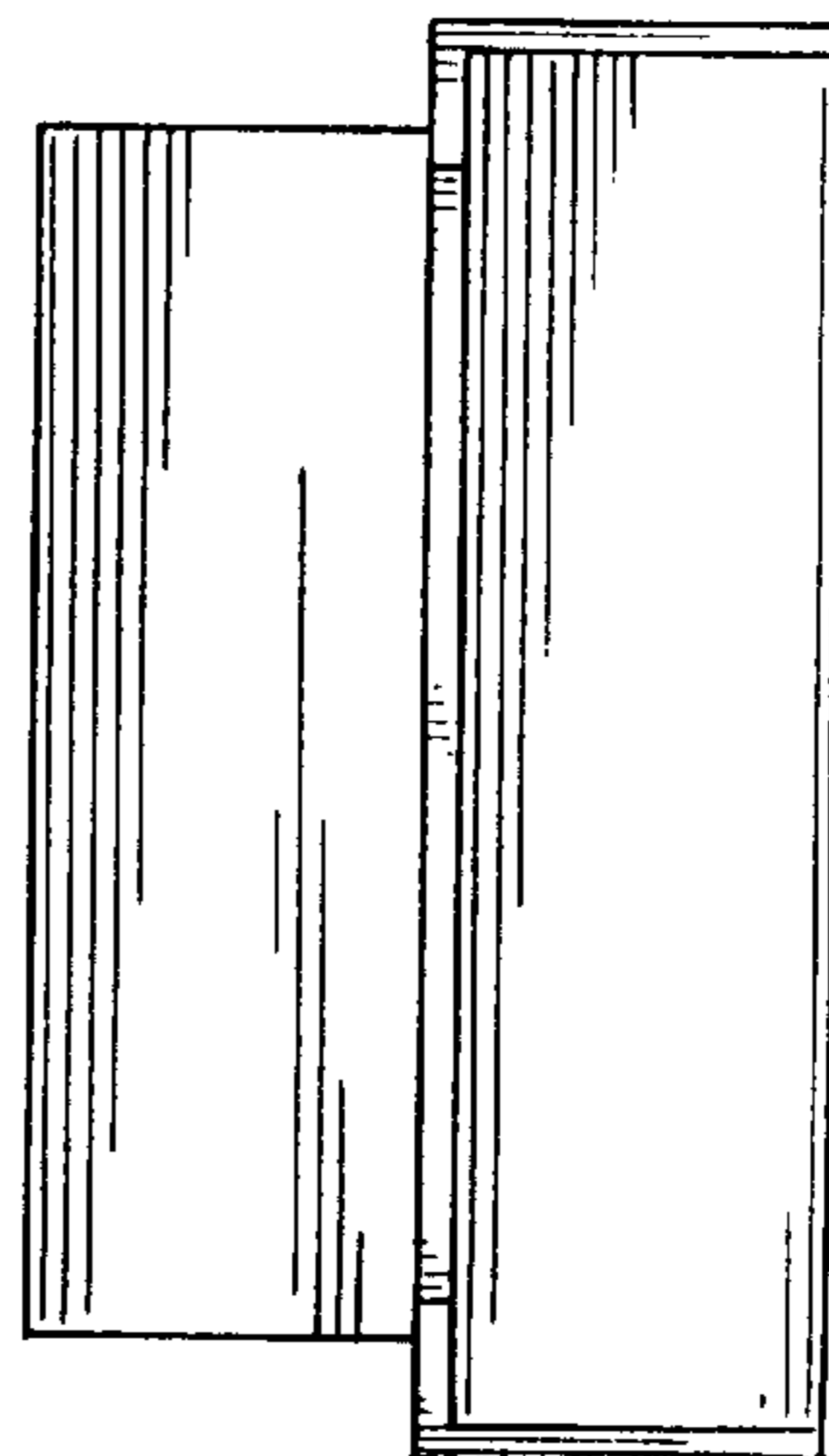


FIG. 2

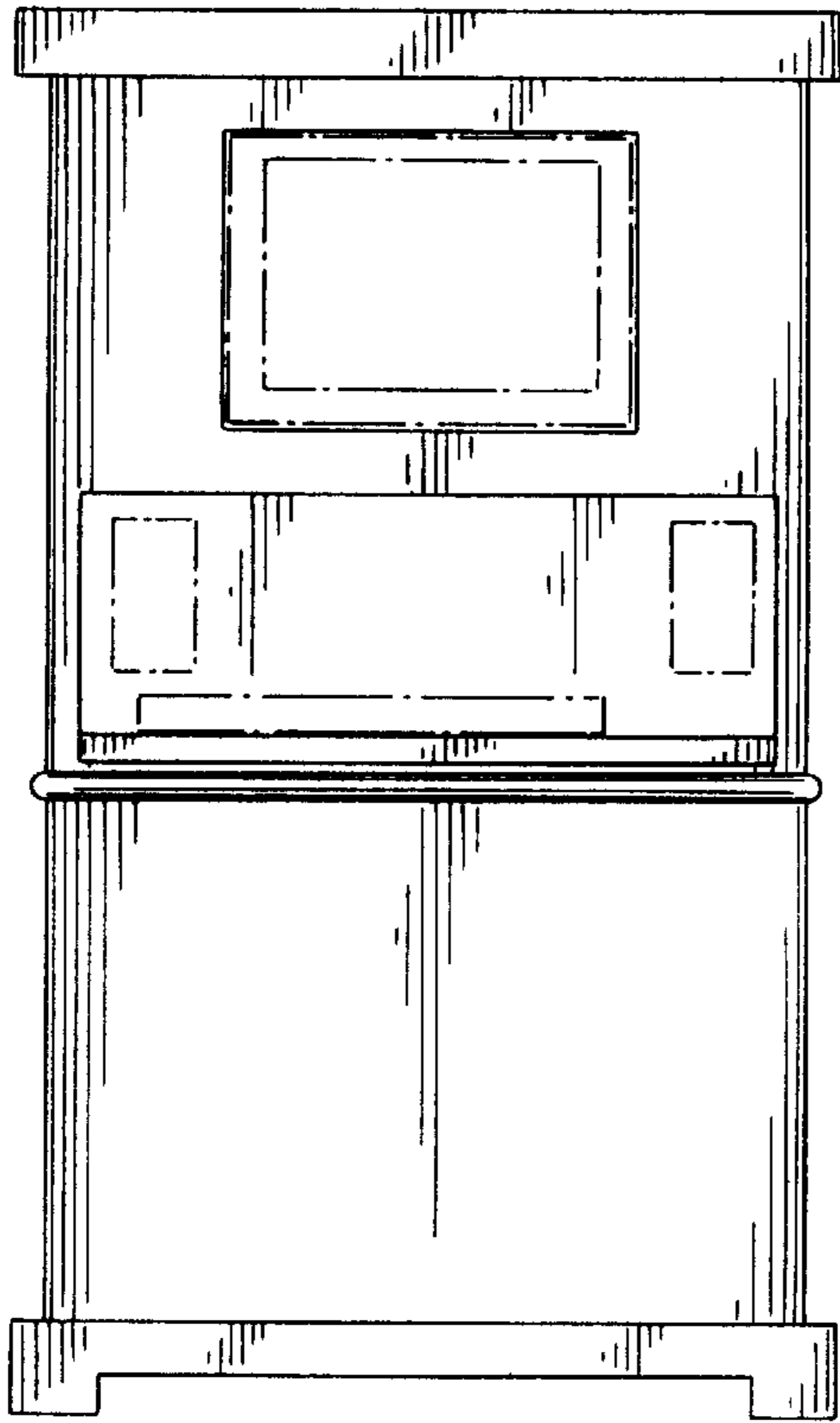


FIG. 3

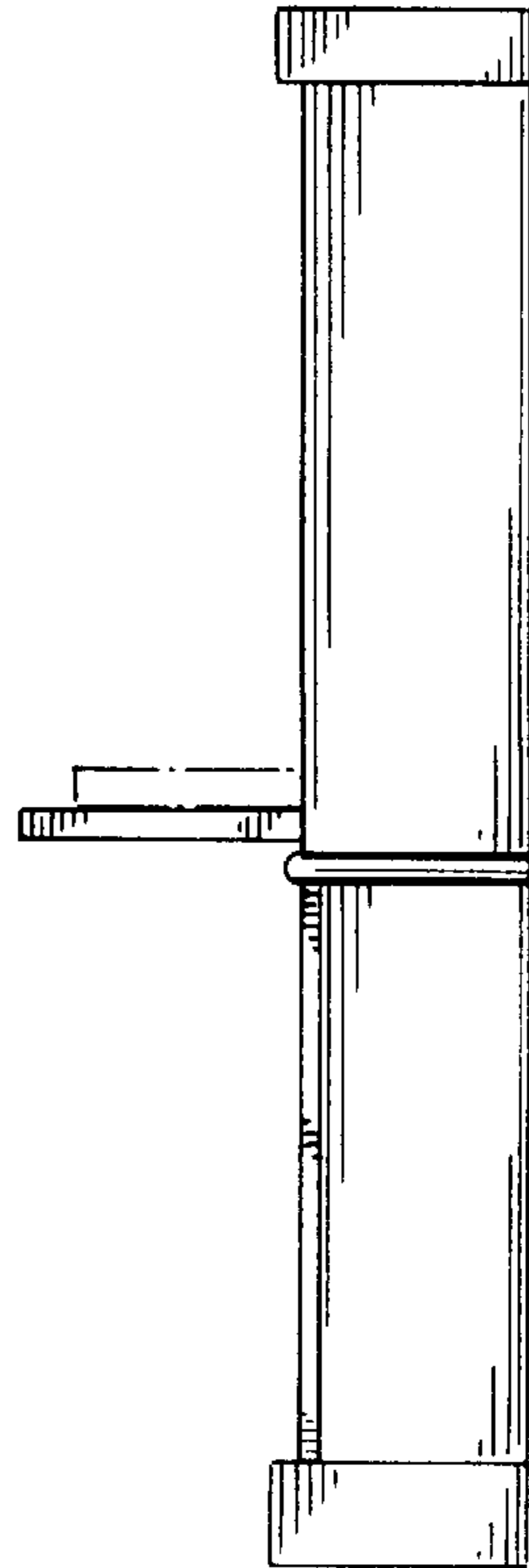


FIG. 6

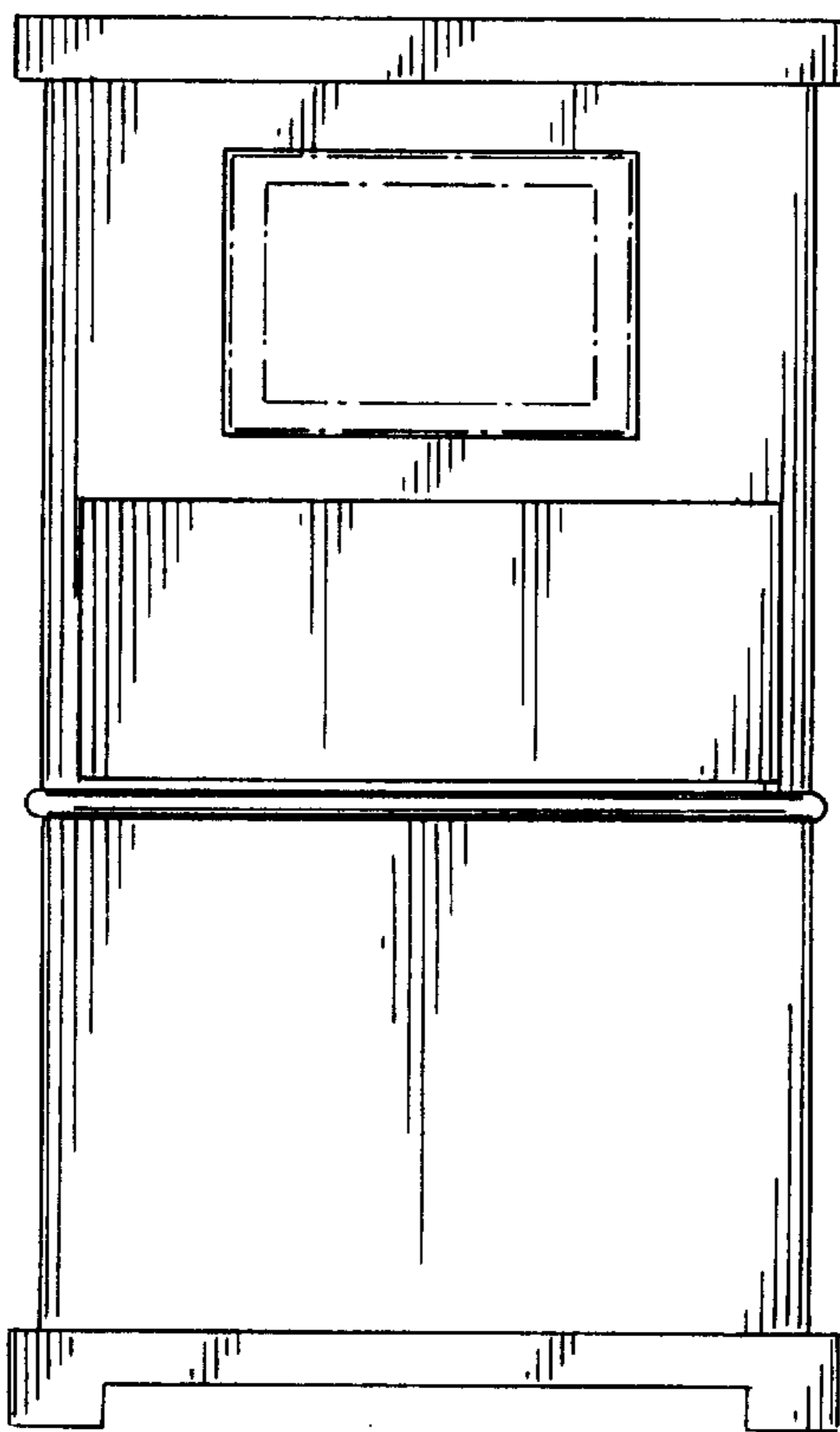


FIG. 7

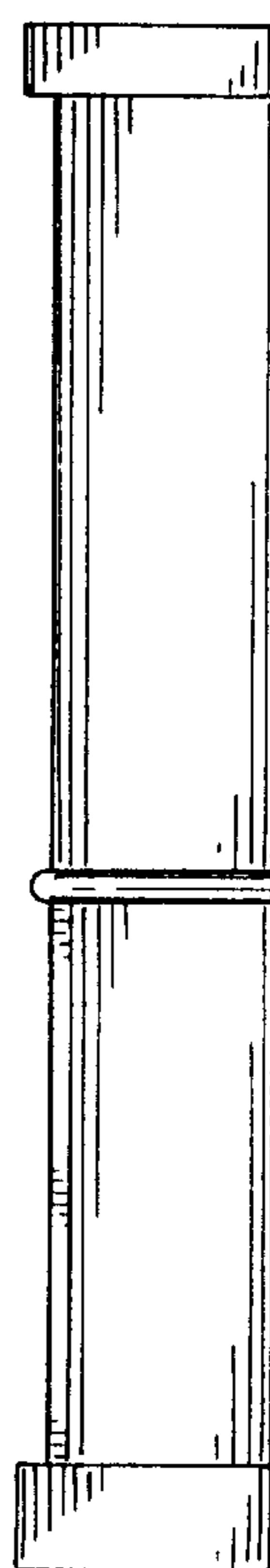


FIG. 8

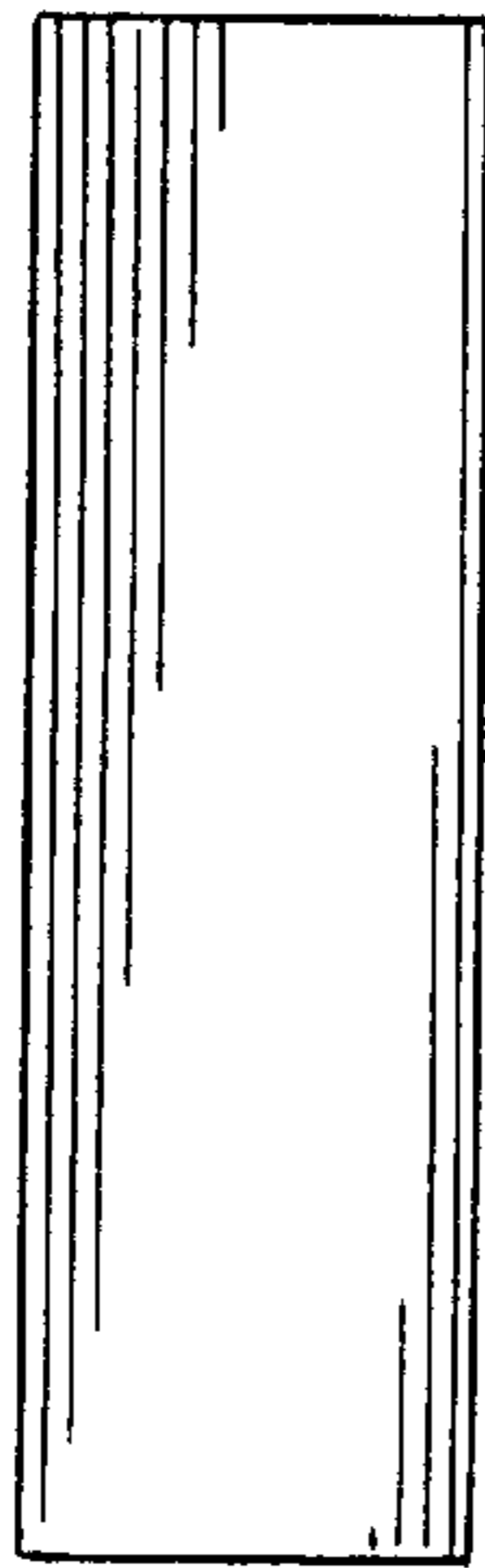


FIG. 9

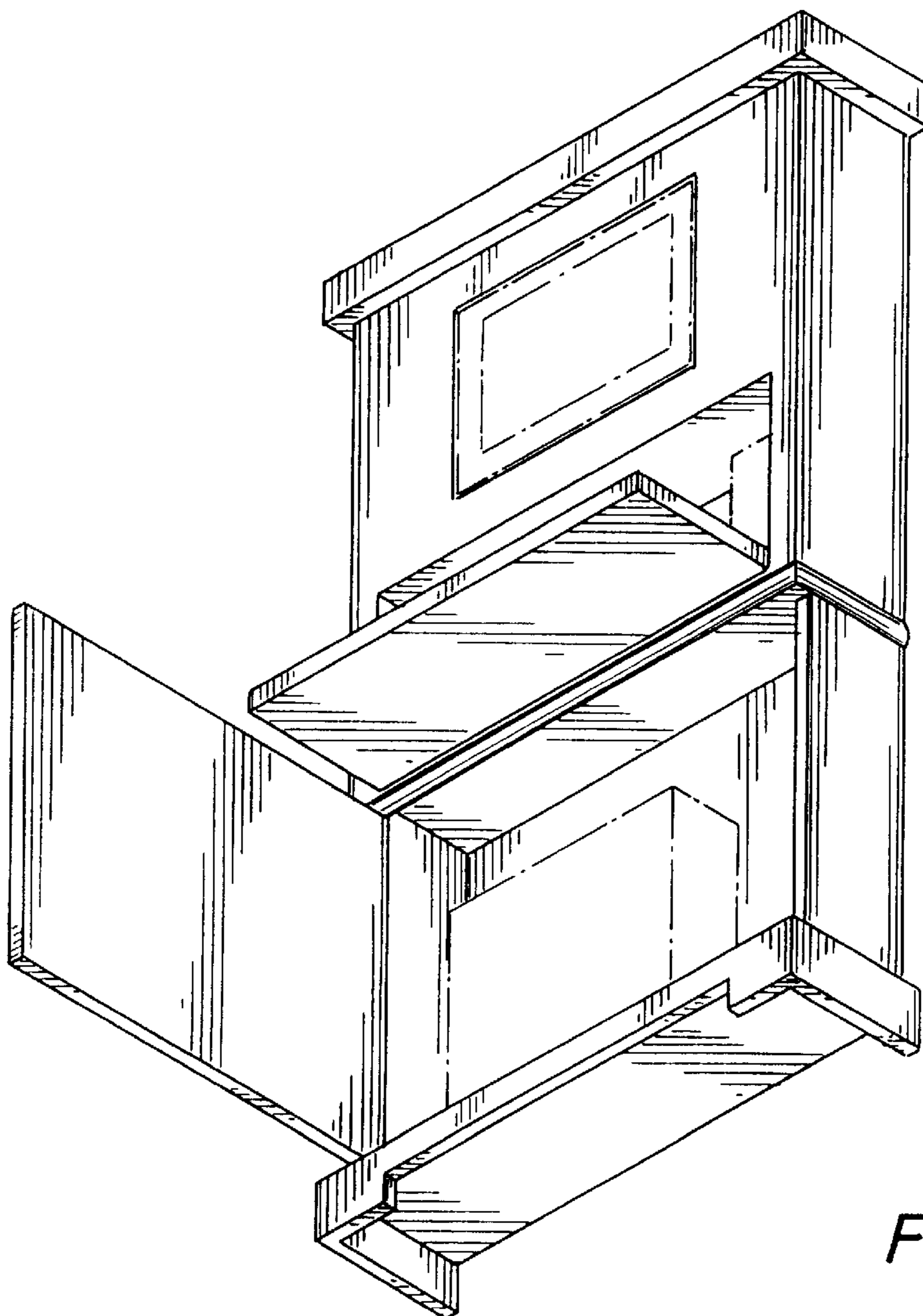
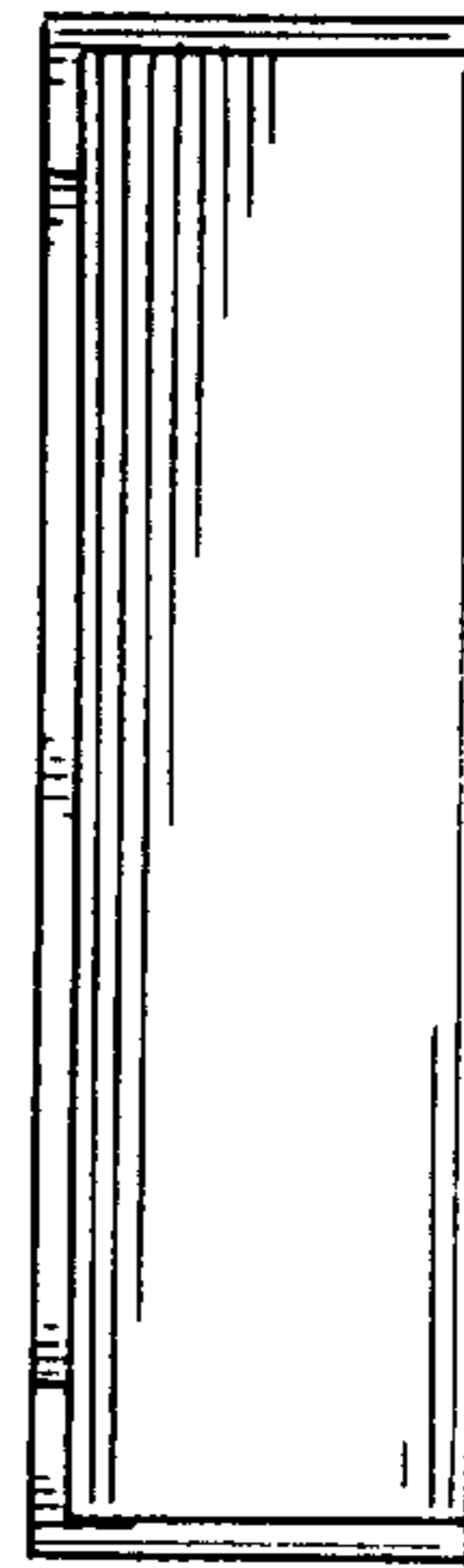


FIG. 10