



US00D434576S

United States Patent [19]
Manoukian

[11] **Patent Number: Des. 434,576**

[45] **Date of Patent: ** Dec. 5, 2000**

[54] **CHAIR**

D. 224,635 8/1972 Yuenger D6/370
D. 418,321 1/2000 Regensburg D6/372

[75] Inventor: **Arsho Manoukian**, Pasadena, Calif.

[73] Assignee: **Seating International Inc.**, Vernon, Calif.

Primary Examiner—Gary D. Watson
Attorney, Agent, or Firm—Thomas I. Rozsa; Tony D. Chen; Jerry Fong

[**] Term: **14 Years**

[57] **CLAIM**

[21] Appl. No.: **29/122,298**

The ornamental design for a chair, as shown and described.

[22] Filed: **Apr. 25, 2000**

DESCRIPTION

[51] **LOC (7) Cl.** **06-01**

[52] **U.S. Cl.** **D6/372; D6/370**

[58] **Field of Search** D6/334, 370, 372,
D6/374, 379, 380, 500, 501, 502; 297/445.1,
451.3, 451.7, 452.63

FIG. 1 is a perspective view of a chair, showing my new design;
FIG. 2 is a front elevational view;
FIG. 3 is a rear elevational view;
FIG. 4 is a side elevational view, the other side being identical.

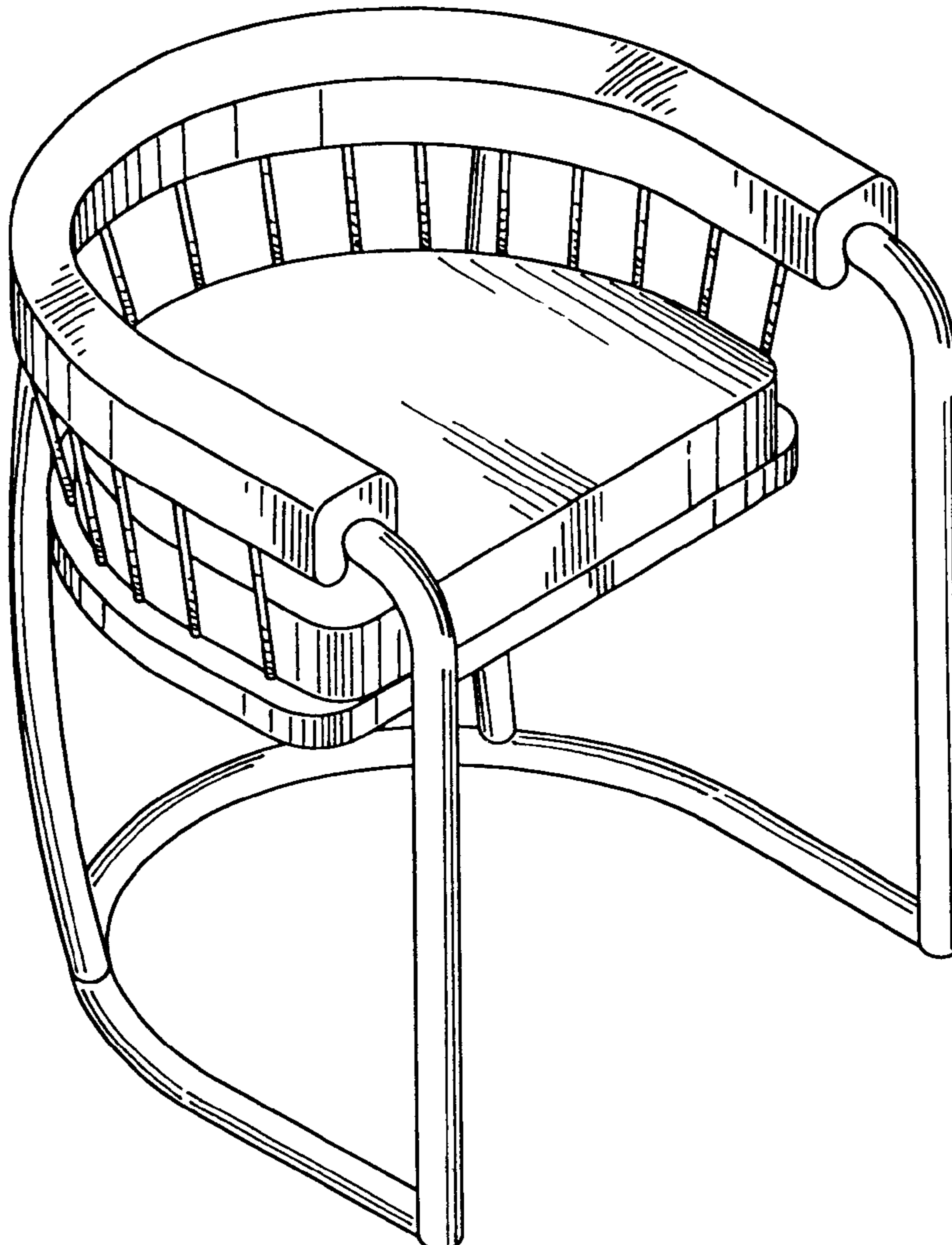
[56] **References Cited**

FIG. 5 is a top plan view; and,
FIG. 6 is a bottom plan view.

U.S. PATENT DOCUMENTS

D. 197,598 3/1964 Harris D6/372

1 Claim, 2 Drawing Sheets



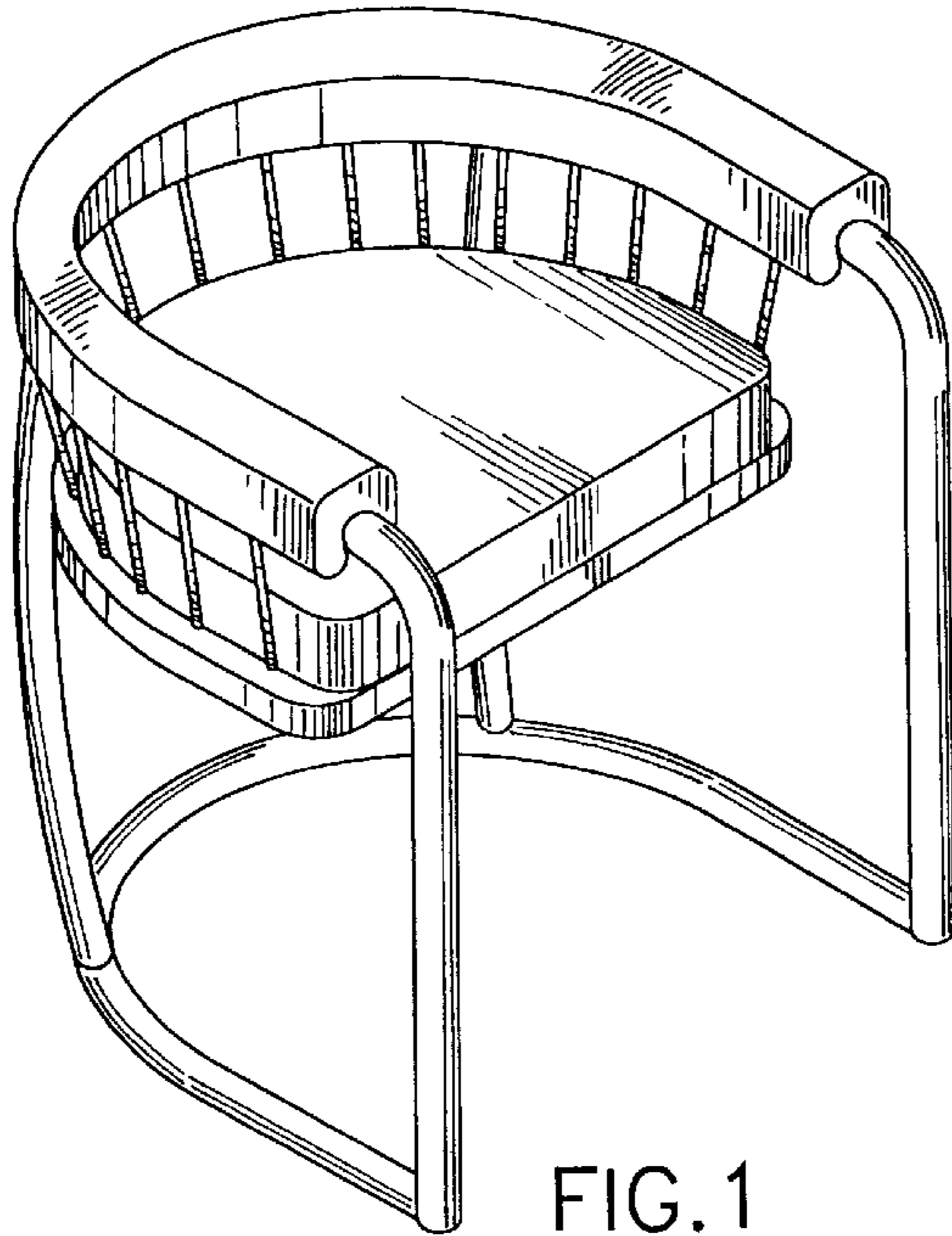


FIG. 1

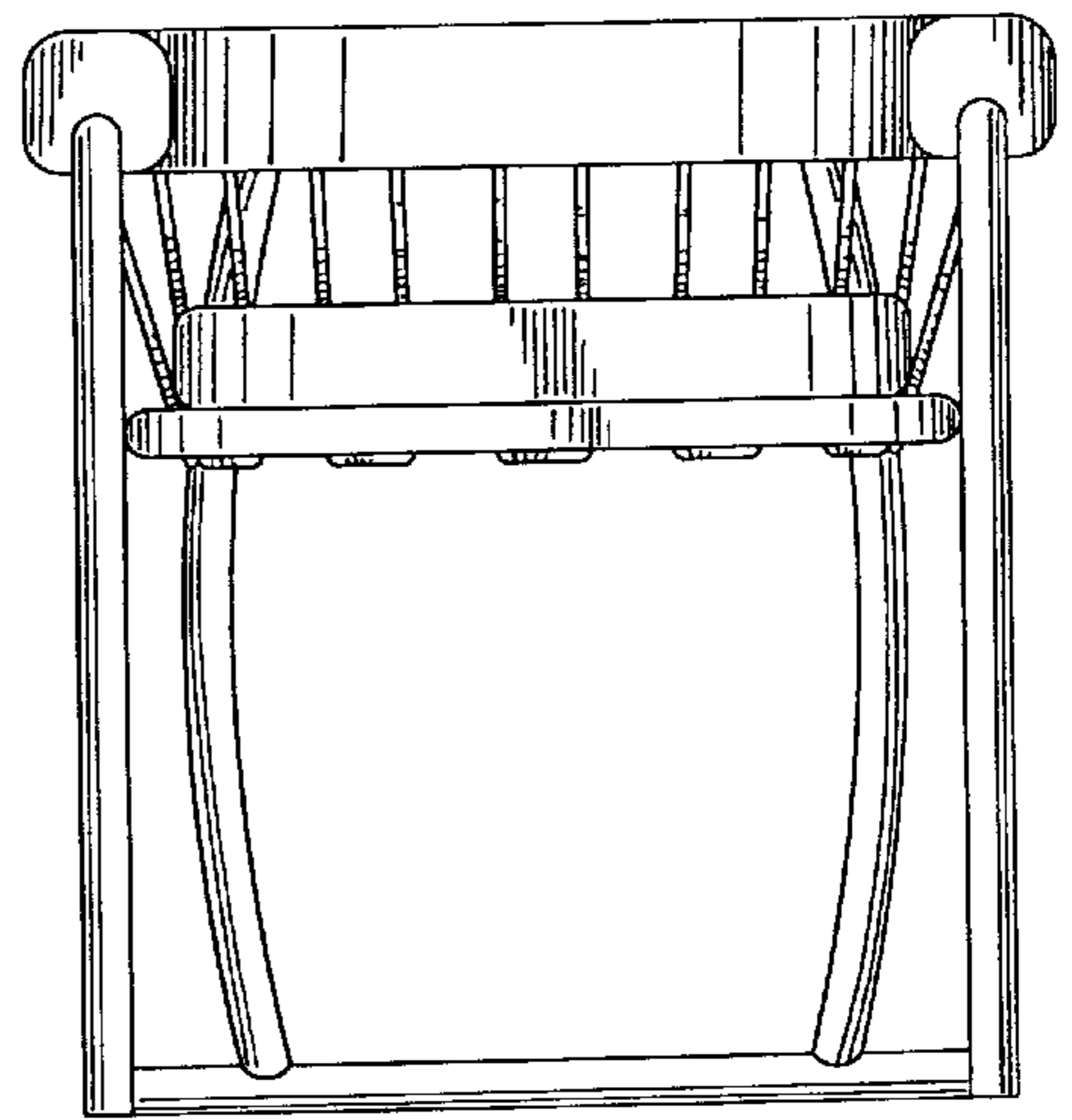


FIG. 2

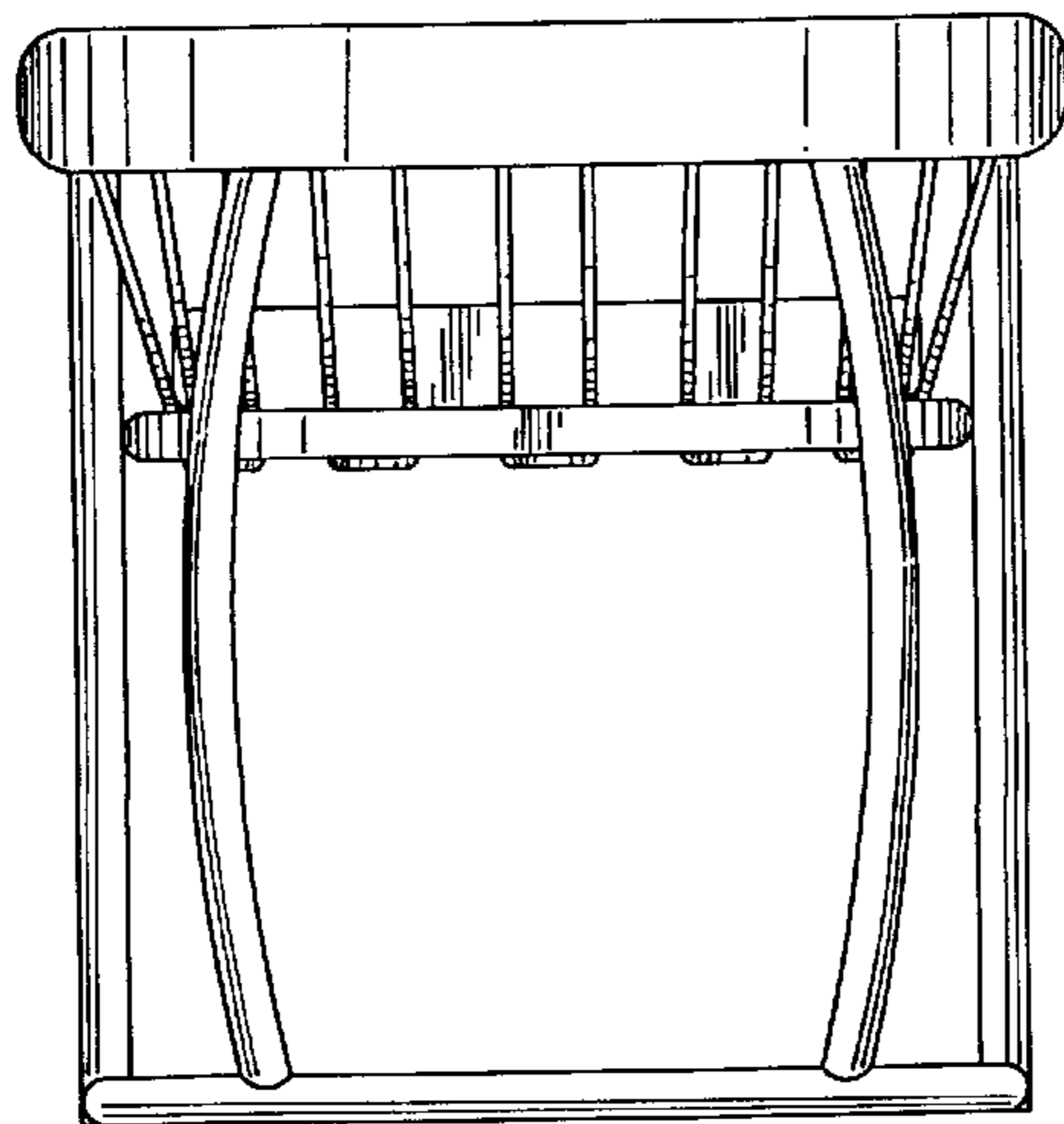


FIG. 3

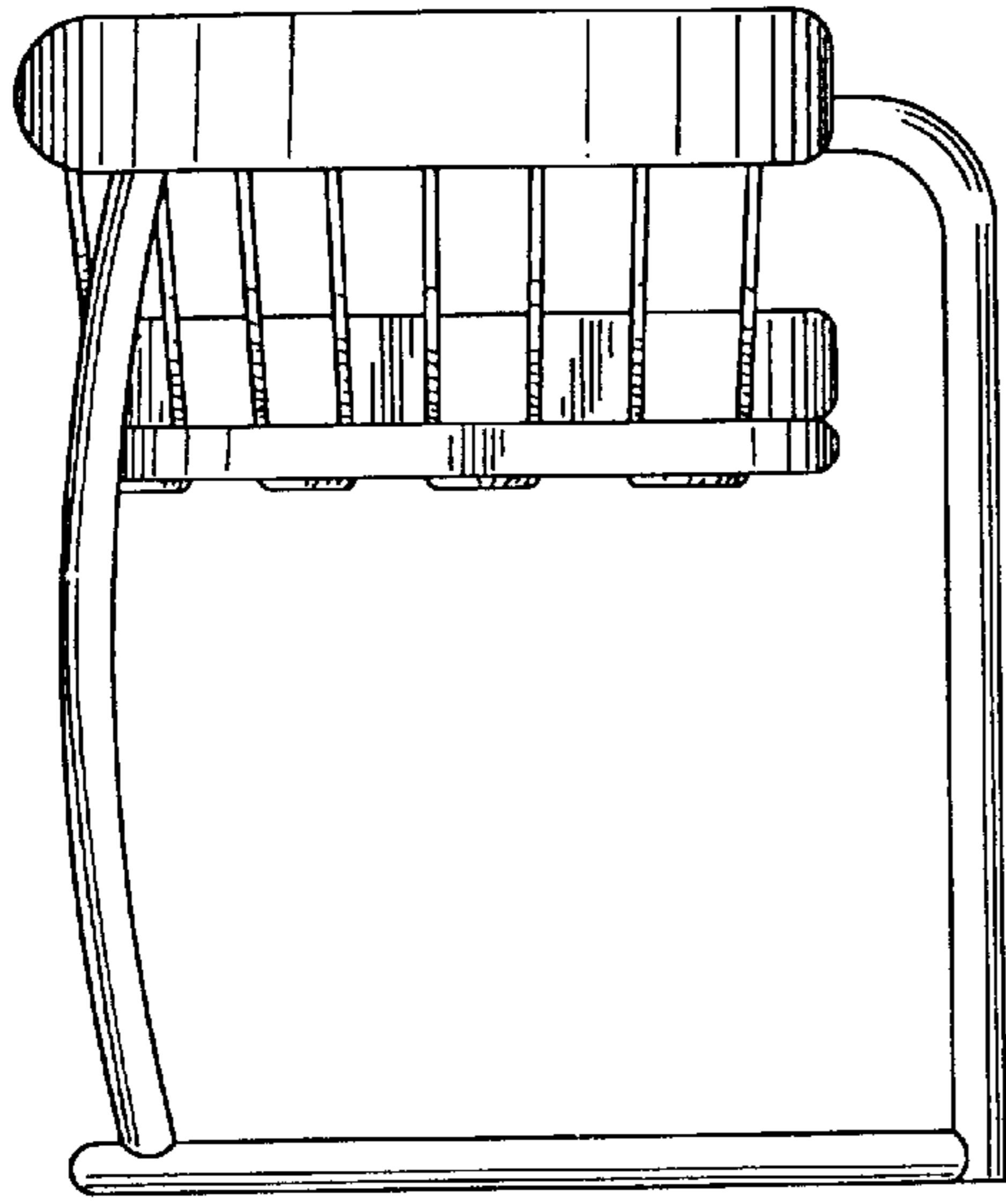


FIG. 4

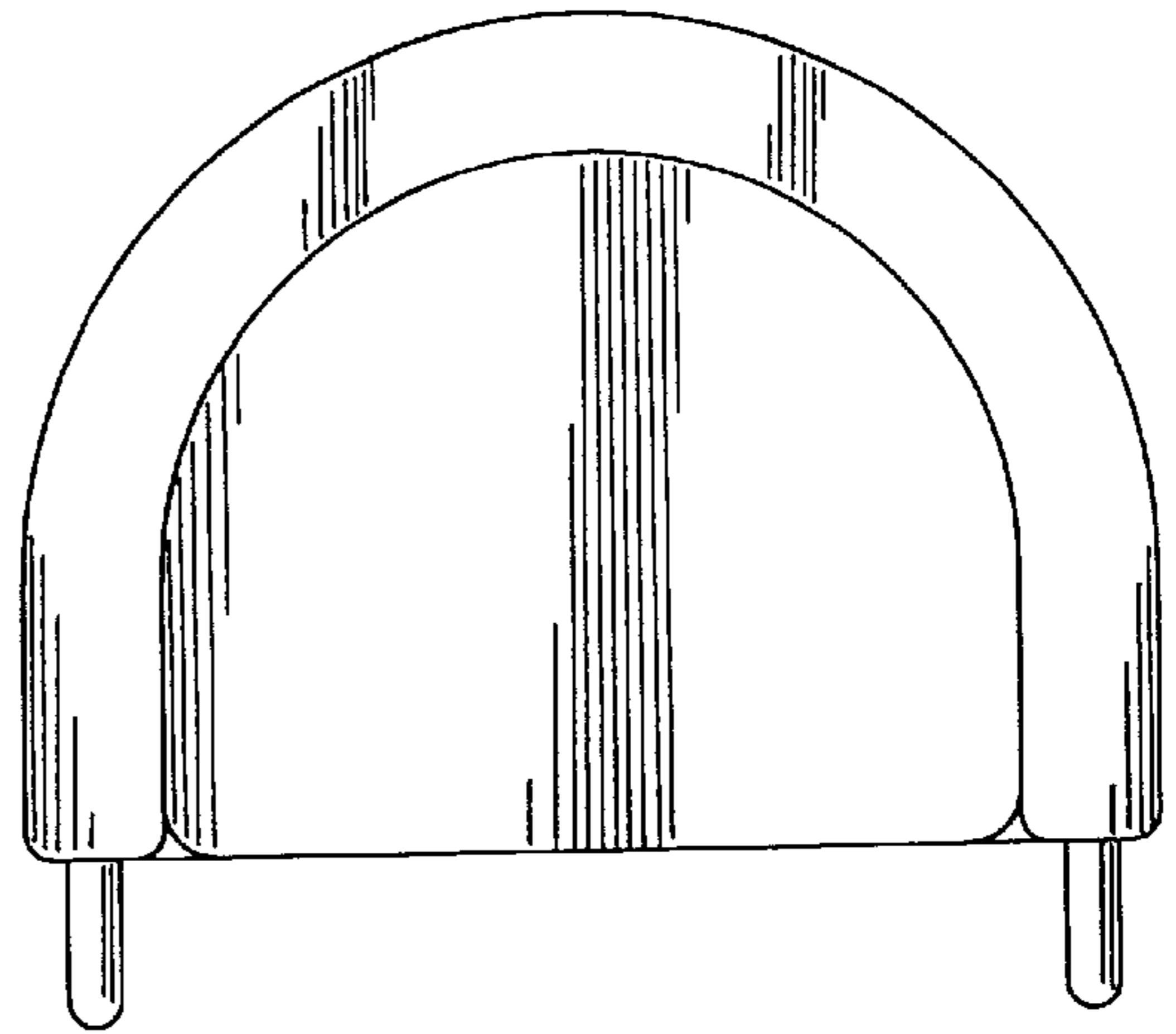


FIG. 5

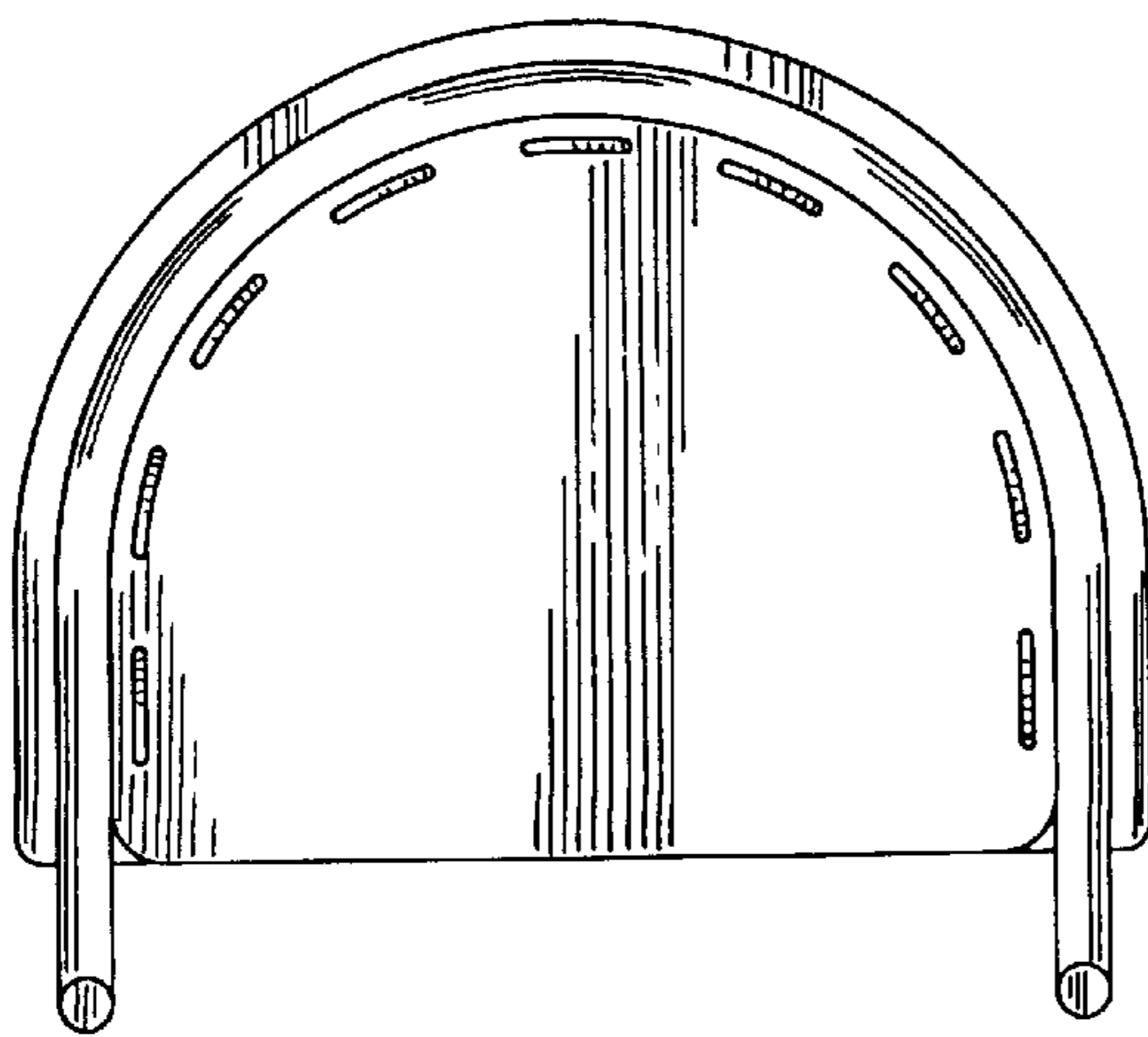


FIG. 6