



US00D434574S

United States Patent [19]

[11] **Patent Number: Des. 434,574**

Walters-Dowding et al.

[45] **Date of Patent: ** Dec. 5, 2000**

[54] **STOOL**

[56] **References Cited**

[75] Inventors: **Andrea Walters-Dowding**, Dresden;
Kent Shaeffer; **Sun Lacy**, both of
Newark, all of Ohio; **Russell Gilbert**;
Shane Mathews, both of Mountain
View, Ark.

U.S. PATENT DOCUMENTS

D. 141,379	5/1945	Panzer	297/461 X
D. 355,773	2/1995	MacOwan	D6/335
D. 409,849	5/1999	Tseng	D6/360
D. 419,327	1/2000	Muller	D6/376

[73] Assignee: **The Longaberger Company**, Newark,
Ohio

OTHER PUBLICATIONS

Smith & Hawken, p. 47, Chair at top left frame (as marked)
Rec 'd Jun. 14, 1997.

[**] Term: **14 Years**

Primary Examiner—Gary D. Watson
Attorney, Agent, or Firm—Porter, Wright, Morris & Arthur
LLP

[21] Appl. No.: **29/108,530**

[22] Filed: **Jul. 29, 1999**

Related U.S. Application Data

[57] **CLAIM**

The ornamental design for stool, as shown a described.

[63] Continuation-in-part of application No. 29/101,973, Mar. 10, 1999, which is a continuation-in-part of application No. 29/084,102, Feb. 24, 1998, Pat. No. Des. 423,820, which is a continuation-in-part of application No. 29/075,904, Jul. 28, 1997, Pat. No. Des. 397,898, which is a continuation-in-part of application No. 29/069,526, Apr. 24, 1997, Pat. No. Des. 397,563, which is a continuation-in-part of application No. 29/068,271, Mar. 24, 1997, Pat. No. Des. 415,366.

DESCRIPTION

FIG. 1 is a perspective view of the stool showing our new design;

FIG. 2 is a front view thereof;

FIG. 3 is a right side view, the left side being a mirror image thereof;

FIG. 4 is a rear view thereof;

FIG. 5 is a top view thereof; and,

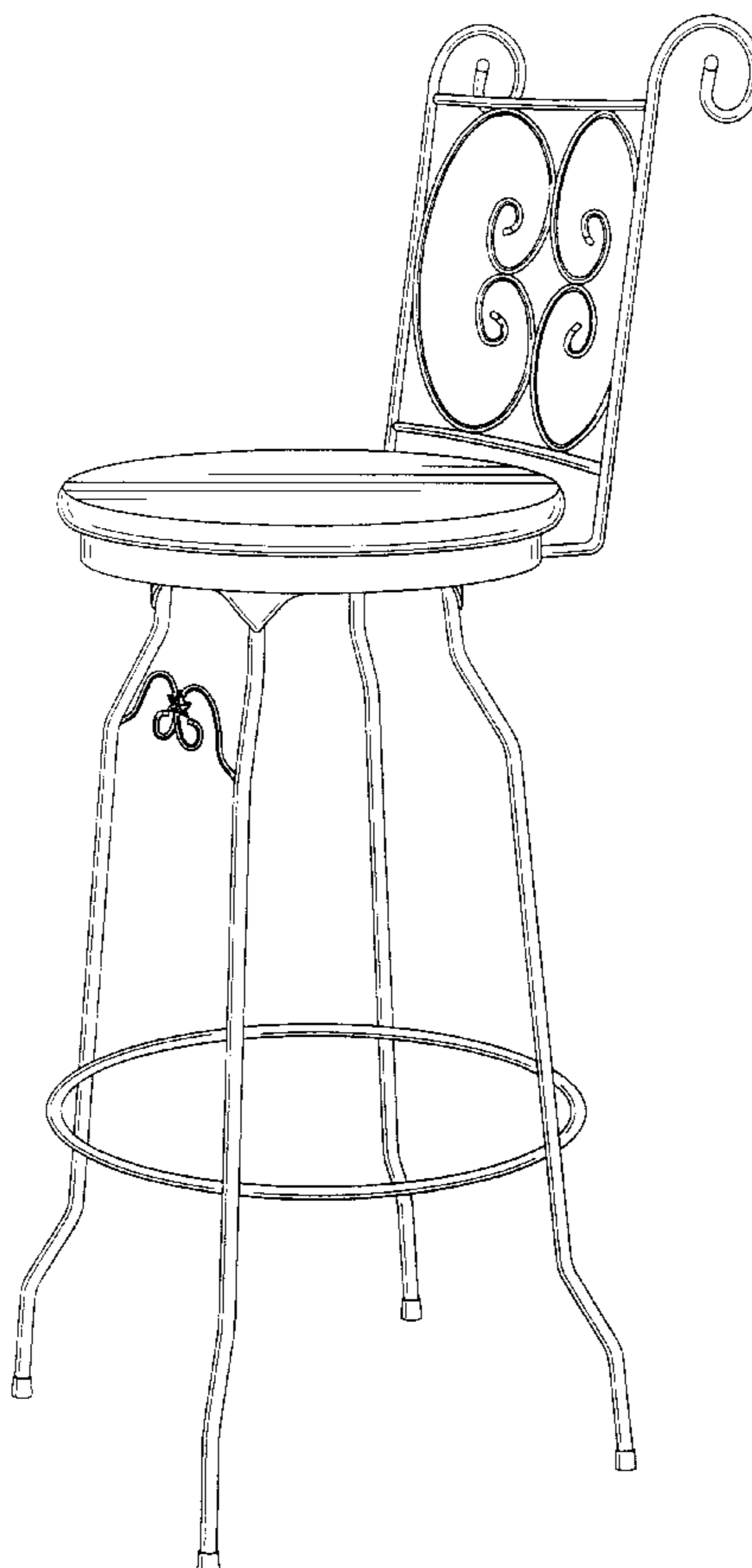
FIG. 6 is a bottom view thereof.

[51] **LOC (7) Cl.** **06-01**

[52] **U.S. Cl.** **D6/360; D6/376**

[58] **Field of Search** D6/334, 335, 360,
D6/370, 374, 376, 380, 500, 501, 502;
297/423.1, 447.4, 461

1 Claim, 5 Drawing Sheets



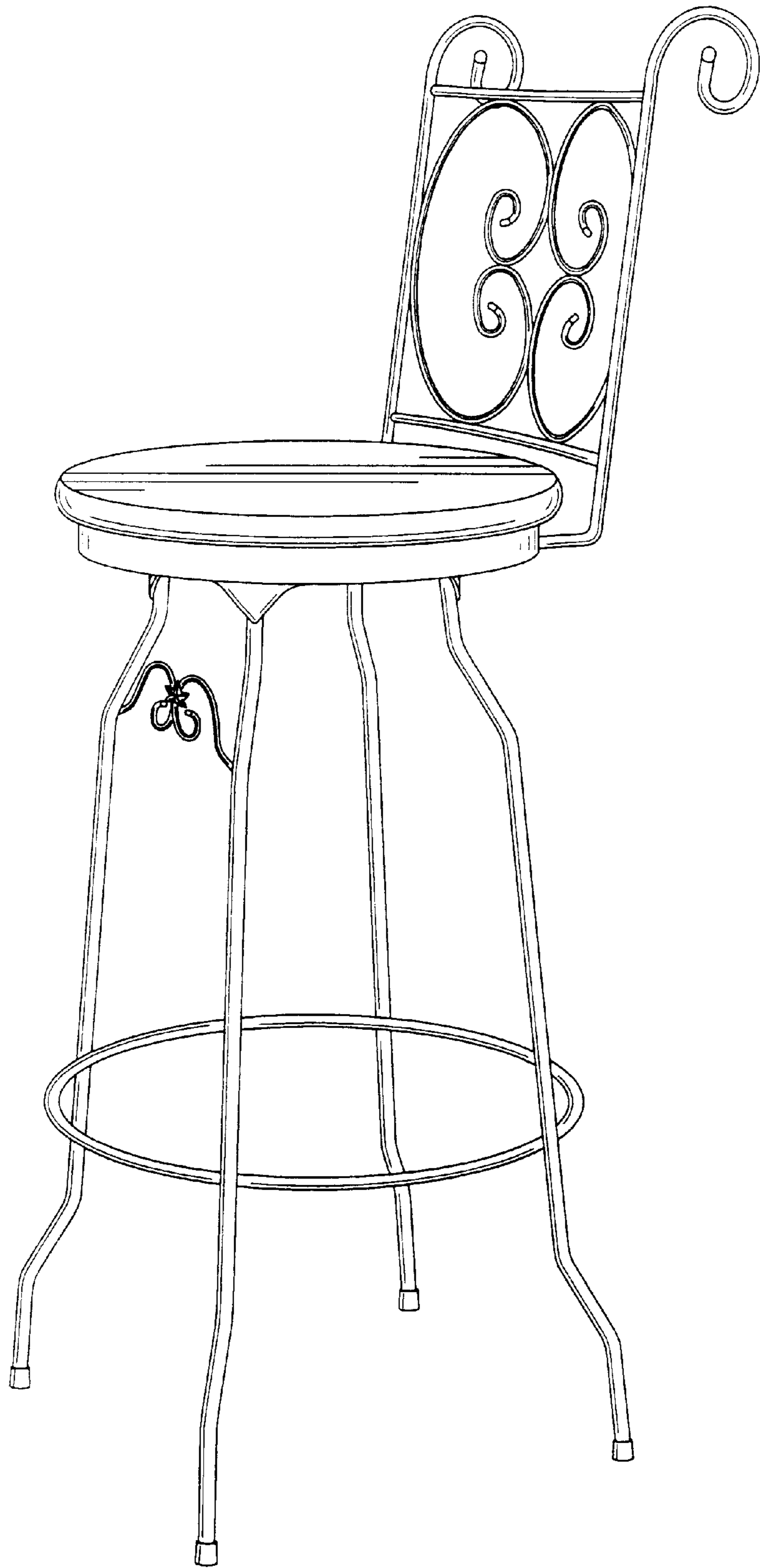


FIG. 1

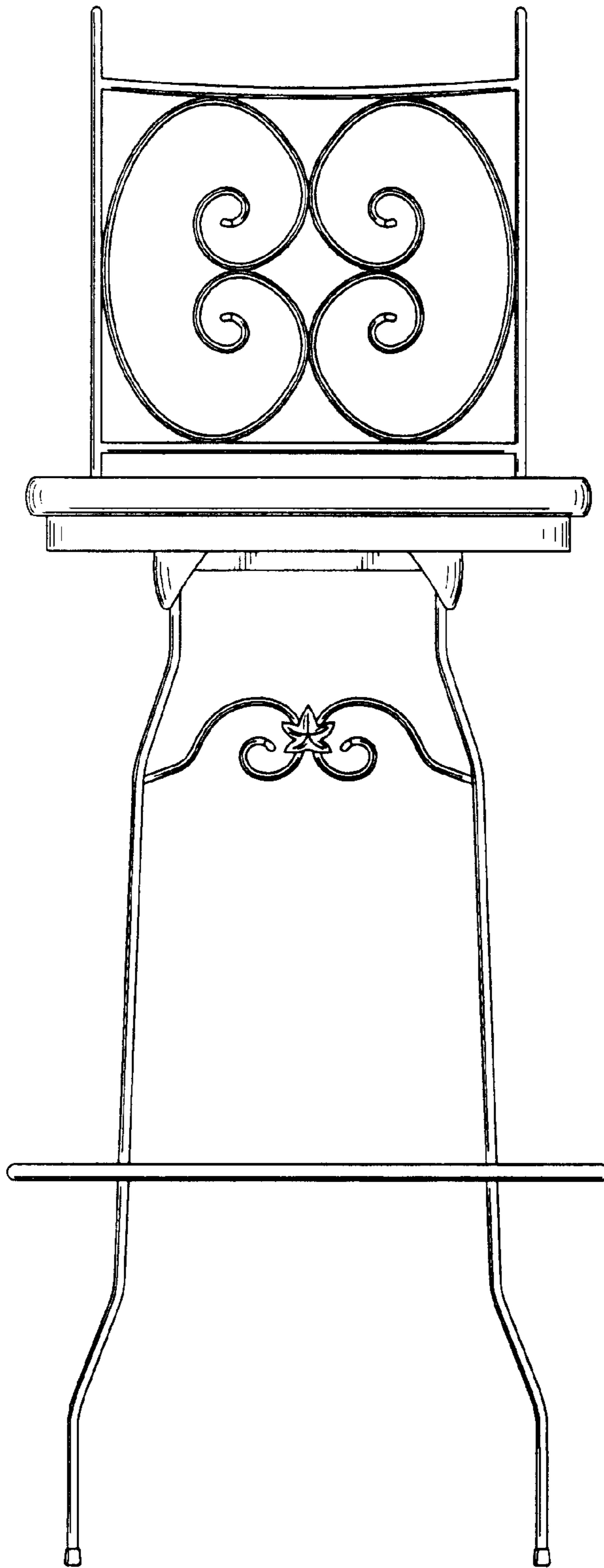


FIG. 2

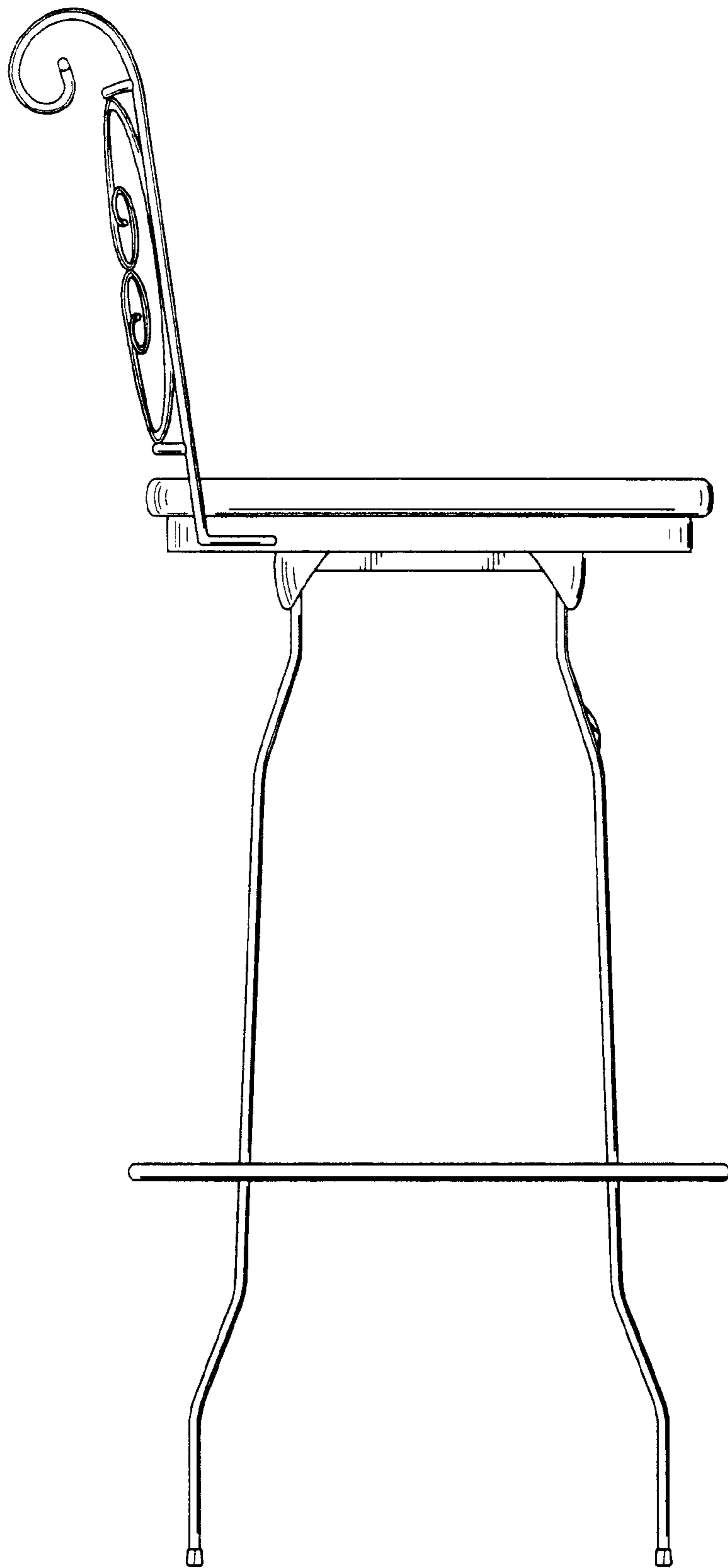


FIG. 3

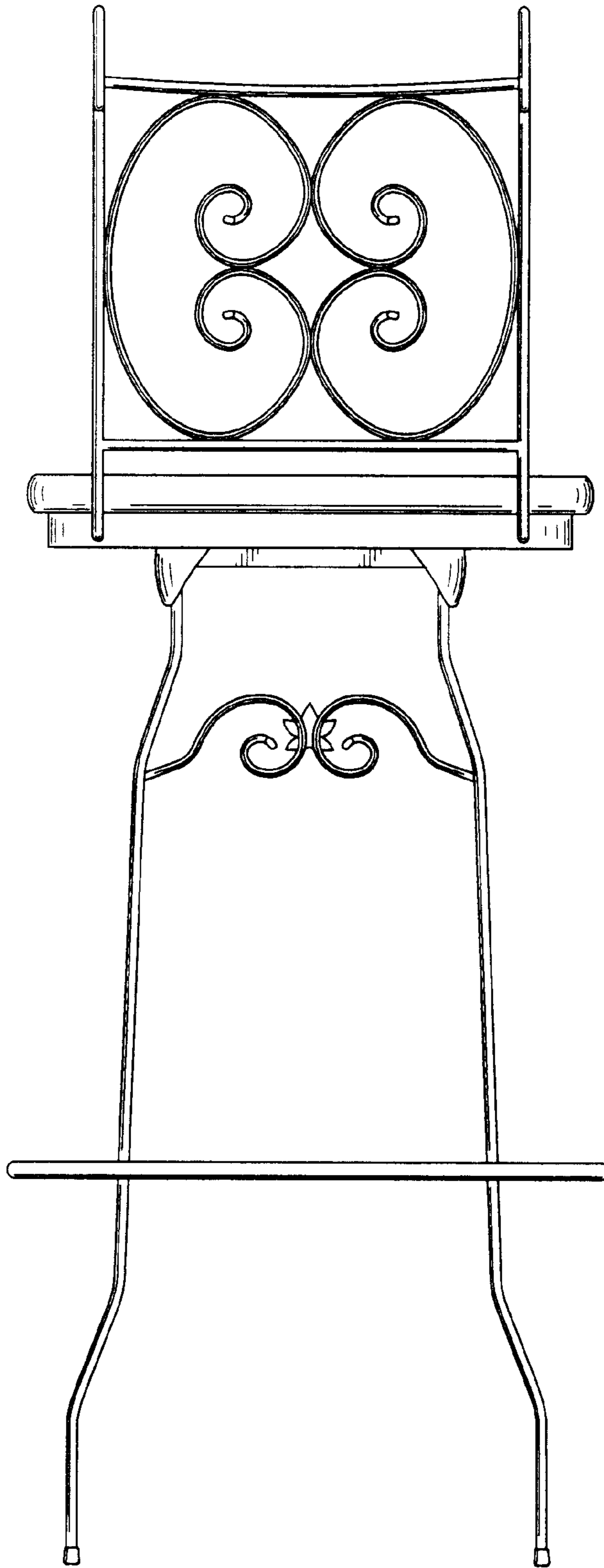


FIG. 4

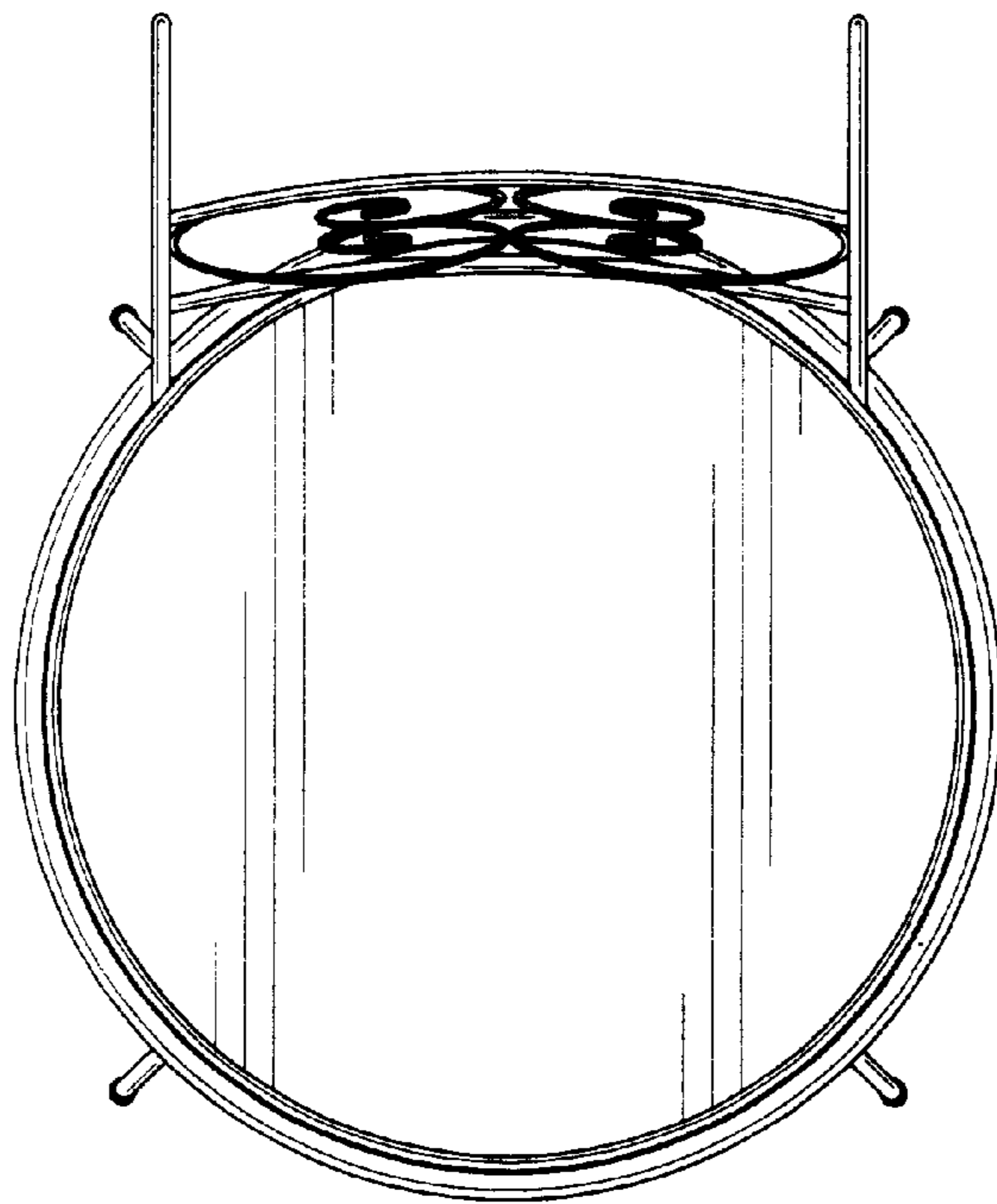


FIG. 5

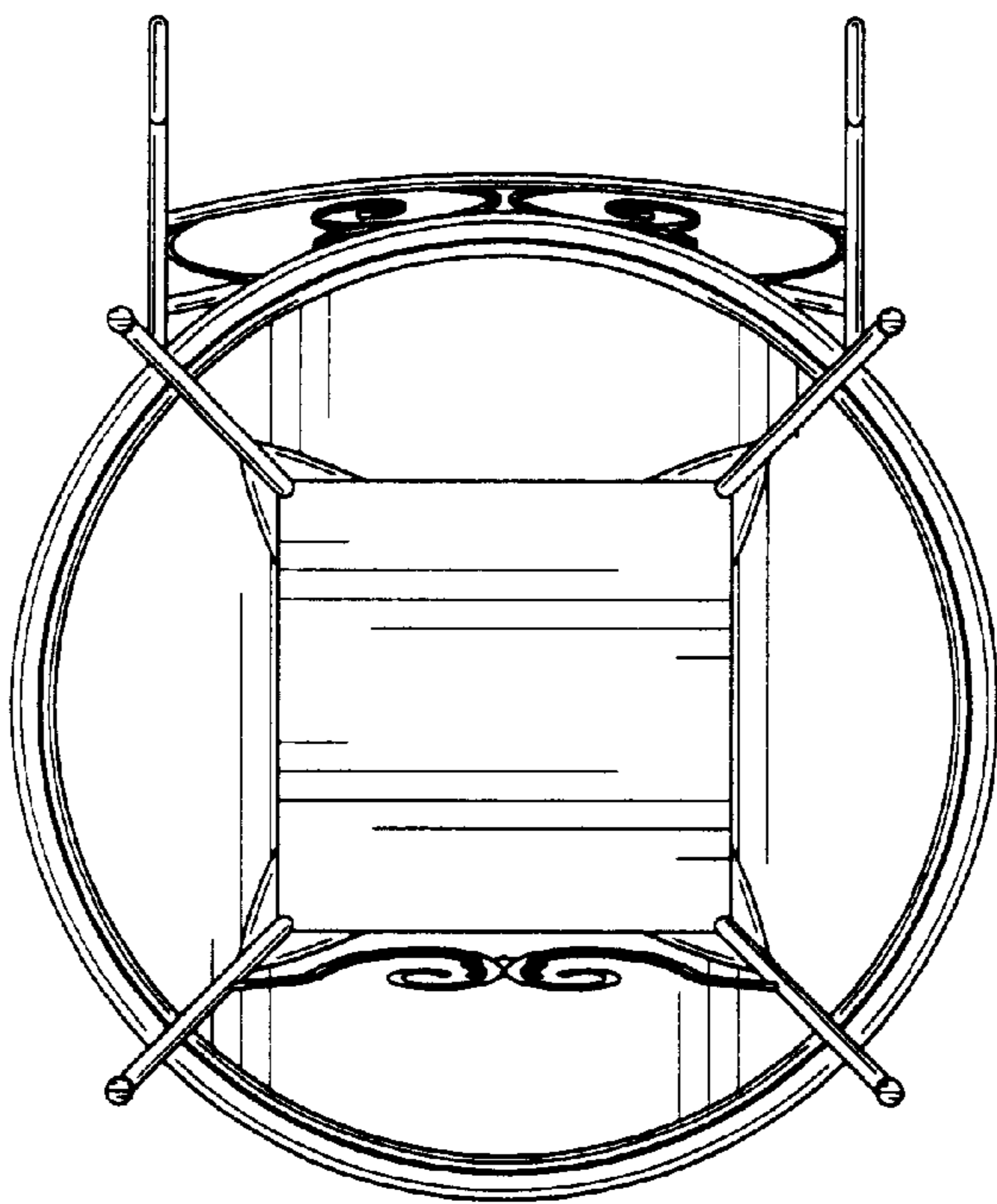


FIG. 6