



US00D434566S

# United States Patent [19] Mann

[11] **Patent Number: Des. 434,566**

[45] **Date of Patent: \*\* Dec. 5, 2000**

[54] **PAINT BRUSH CLEANING TOOL**

[75] **Inventor: David G. Mann, Wooster, Ohio**

[73] **Assignee: The Wooster Brush Company, Wooster, Ohio**

[\*\*] **Term: 14 Years**

[21] **Appl. No.: 29/119,585**

[22] **Filed: Mar. 2, 2000**

[51] **LOC (7) Cl. .... 04-01**

[52] **U.S. Cl. .... D4/117; D4/136; D32/35**

[58] **Field of Search .... D4/134, 136, 138, D4/117, 120; D28/21, 25, 28, 30; D32/35, 46; 7/105; 15/105, 106, 142, 159.1, 160, 186-188; 132/120, 126, 137, 141**

[56] **References Cited**

**U.S. PATENT DOCUMENTS**

- D. 159,106 6/1950 Stamp .
- D. 212,384 10/1968 Darge ..... D32/46
- 289,550 12/1883 Miles, Jr. .
- D. 289,567 4/1987 O'Connor et al. .... D28/25

- 2,228,213 1/1941 Hillsberry ..... 132/120 X
- 2,272,151 2/1942 Hertzberg .
- 2,856,622 10/1958 Jacobsen .
- 3,170,182 2/1965 Burian .

*Primary Examiner*—Alan P. Douglas  
*Assistant Examiner*—Lavone Tabor  
*Attorney, Agent, or Firm*—Renner, Otto, Boisselle & Sklar, LLP

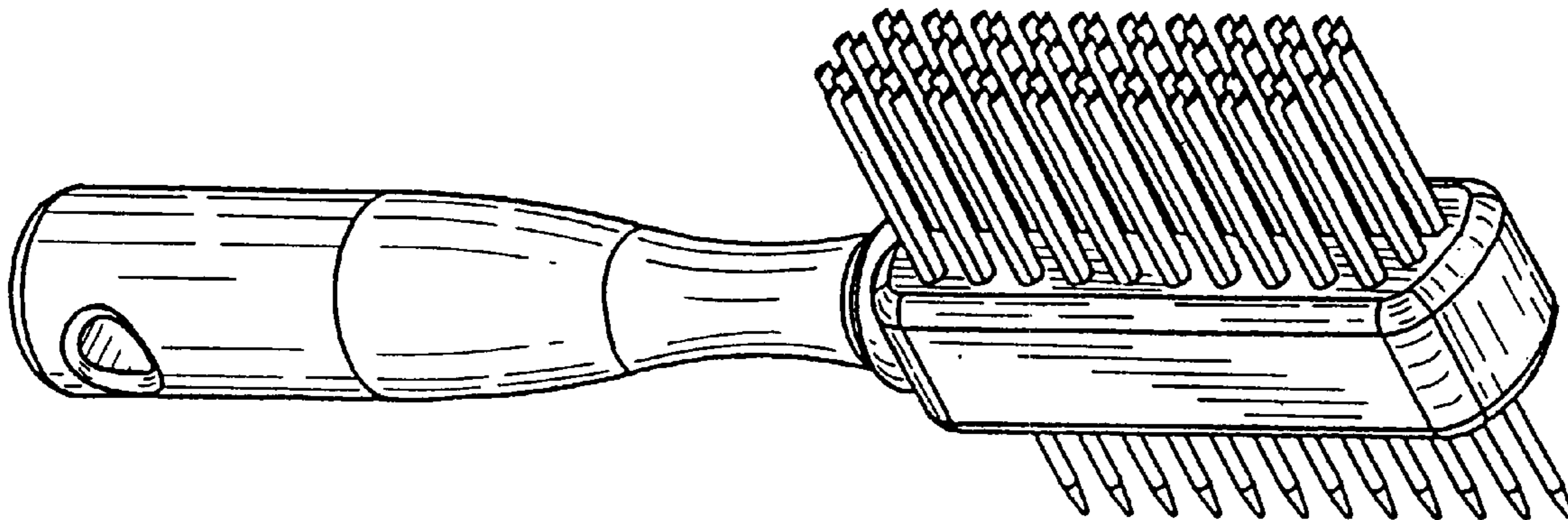
[57] **CLAIM**

The ornamental design for a paint brush cleaning tool, as shown and described.

**DESCRIPTION**

FIG. 1 is a perspective view of a paint brush cleaning tool showing my new design;  
FIG. 2 is an elevation view of one side thereof, the opposite side being a mirror image;  
FIG. 3 is a top plan view thereof;  
FIG. 4 is a bottom plan view thereof;  
FIG. 5 is an elevational view of the right end thereof; and,  
FIG. 6 is an elevational view of the left end thereof.

**1 Claim, 1 Drawing Sheet**



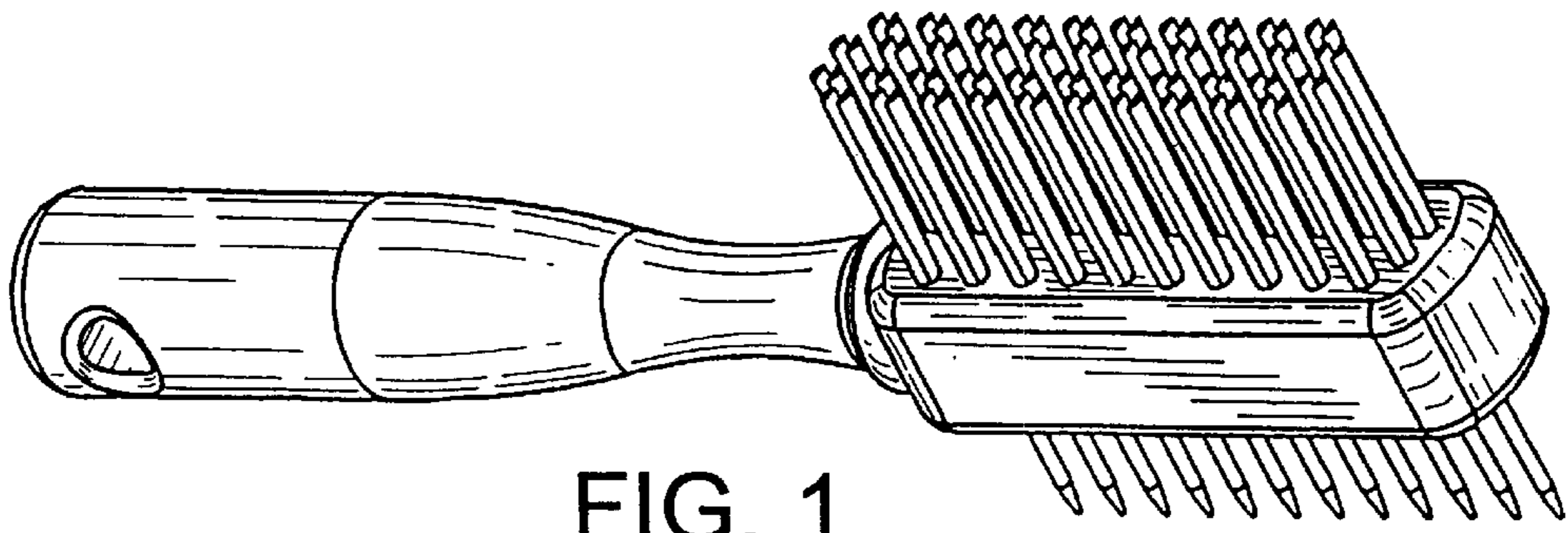


FIG. 1

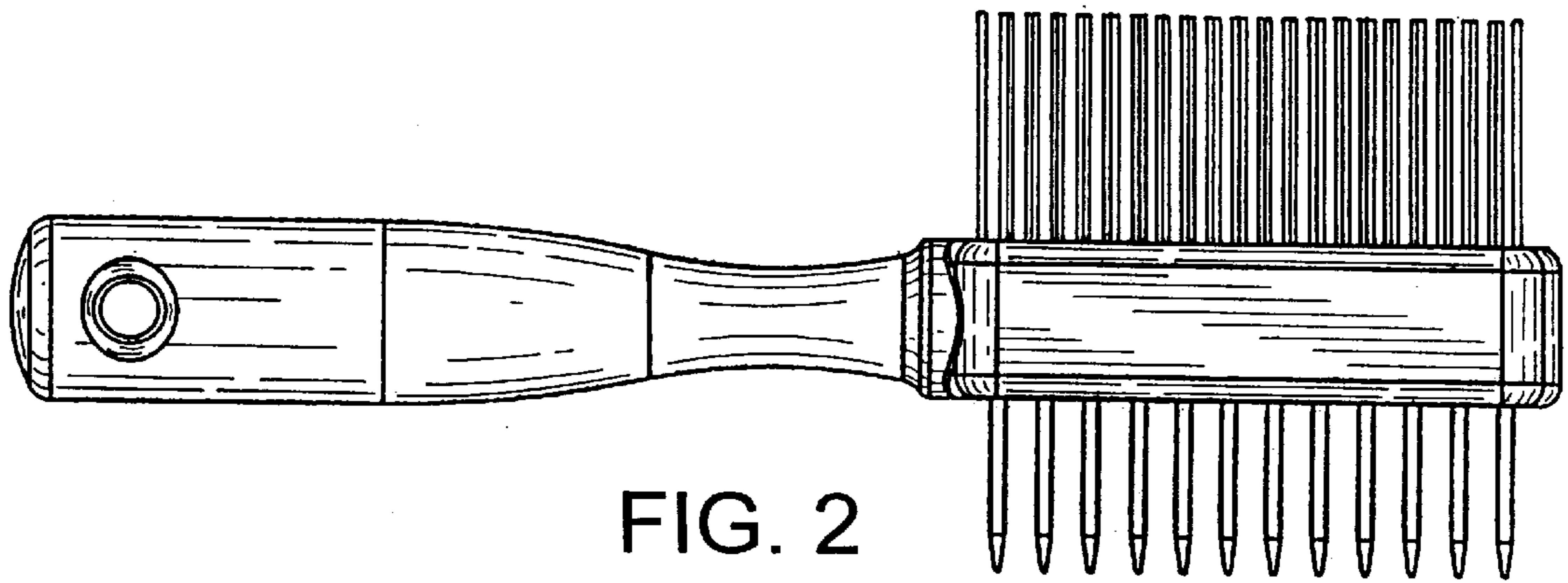


FIG. 2



FIG. 3

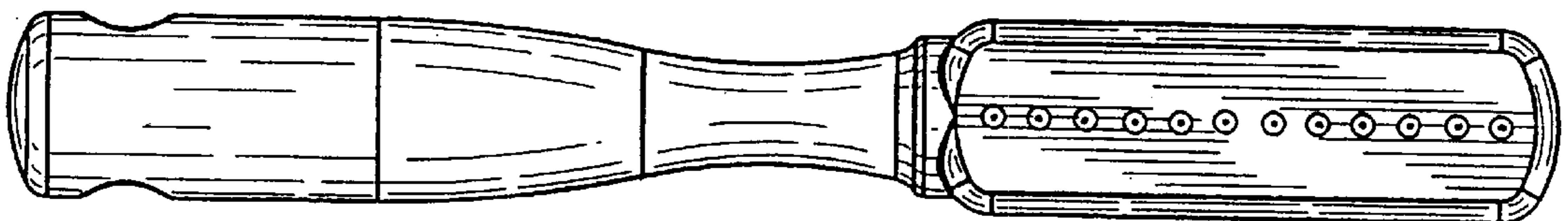


FIG. 4

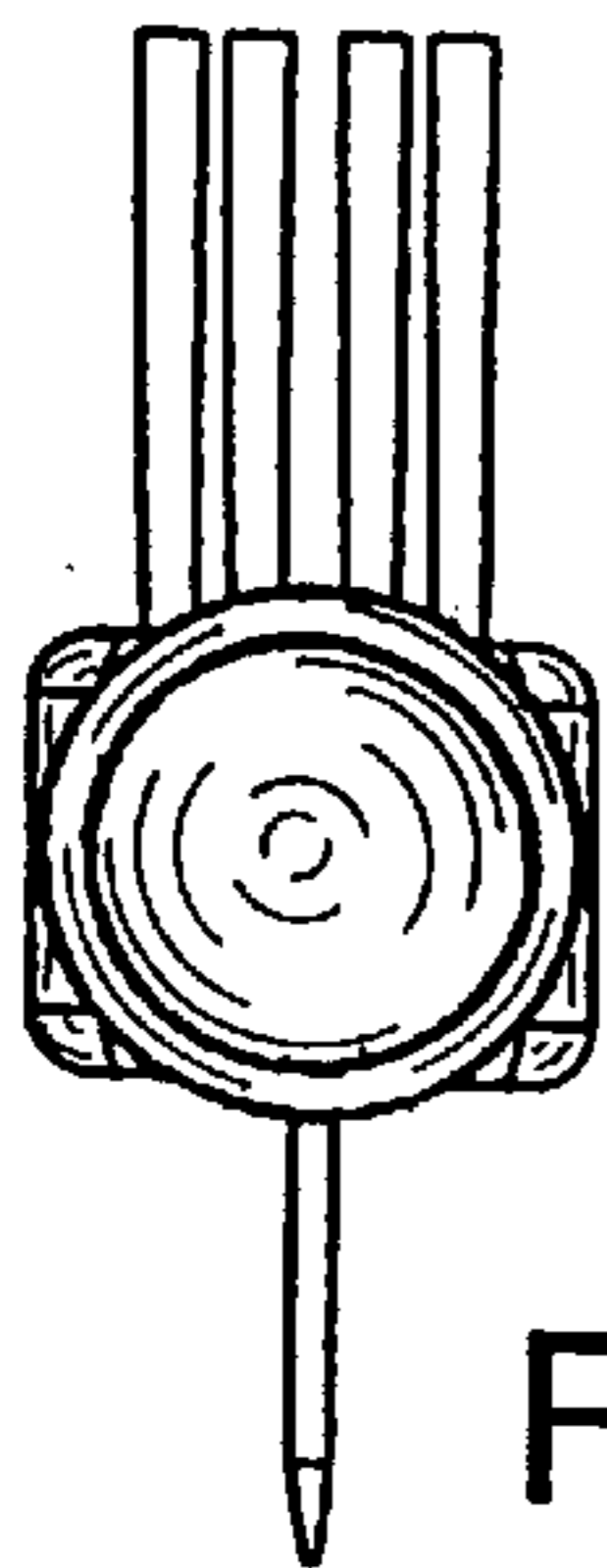


FIG. 6

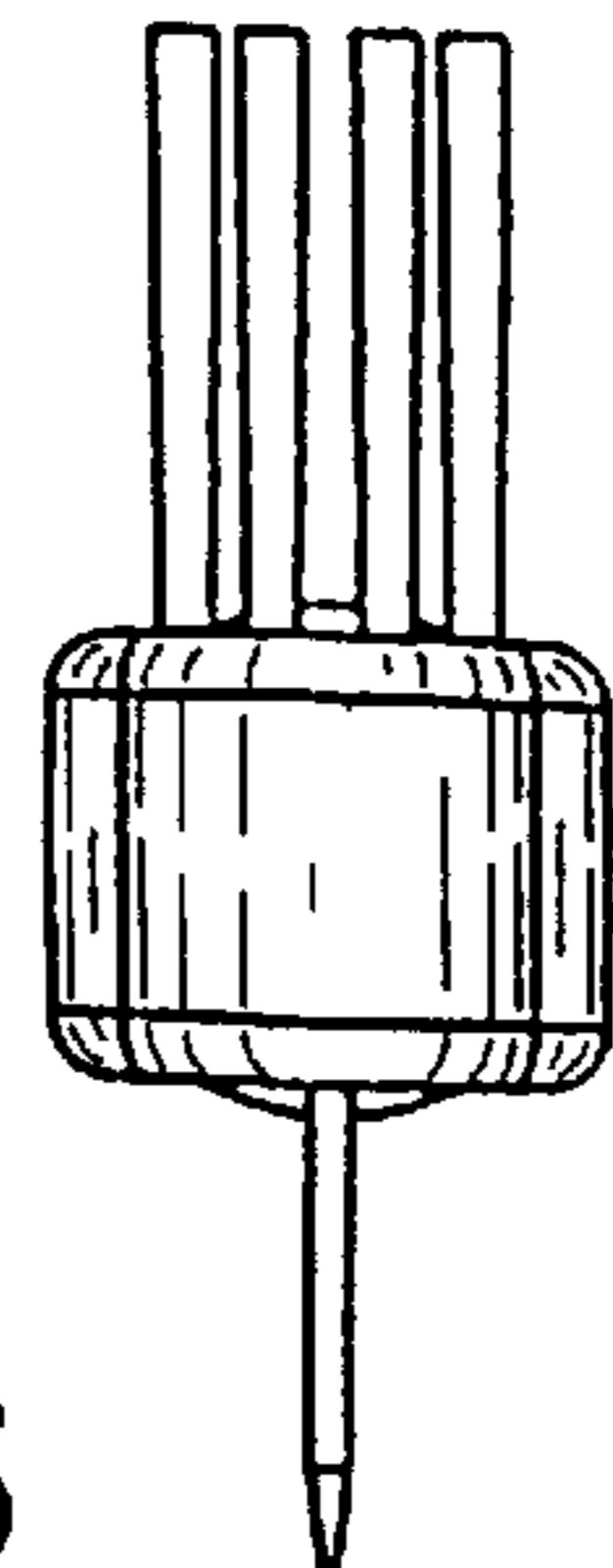


FIG. 5