



US00D434563S

United States Patent [19]

[11] Patent Number: Des. 434,563

Lim et al.

[45] Date of Patent: ** Dec. 5, 2000

[54] SET OF BRISTLES FOR A BRUSH

[75] Inventors: Gary Lim, San Francisco; Yan Feng, Union City, both of Calif.

[73] Assignee: Gillette Canada Company, Halifax, Canada

[**] Term: 14 Years

[21] Appl. No.: 29/119,808

[22] Filed: Mar. 7, 2000

[51] LOC (7) Cl. 04-02

[52] U.S. Cl. D4/104; D4/130

[58] Field of Search D4/104-112, 130, D4/132, 134; 15/159.1, 160, 167.1, 167.2, 186-188, 110, DIG. 5, DIG. 6; 132/308; 601/139, 141

3,722,020	3/1973	Hills	15/167.1
3,864,781	2/1975	Leonard	15/106
4,010,509	3/1977	Huish	15/167.1
4,519,111	5/1985	Cavazza	15/167.1
4,672,706	6/1987	Hill	15/167.1
4,706,322	11/1987	Nicolas	15/106
4,724,569	2/1988	Eguchi et al.	15/167.1
4,776,054	10/1988	Rauch	15/167.1
5,046,213	9/1991	Curtis et al.	15/167.1
5,201,092	4/1993	Colson	15/167.1
5,335,389	8/1994	Curtis et al.	15/167.1
5,341,537	8/1994	Curtis et al.	15/167.1
5,373,602	12/1994	Bang	15/167.1
5,392,483	2/1995	Heinzelman et al.	15/167.1
5,396,678	3/1995	Bredall et al.	15/167.1
5,419,001	5/1995	Wan	15/167.1
5,446,940	9/1995	Curtis et al.	15/167.1
5,459,899	10/1995	Bauer	15/167.1
5,528,786	6/1996	Porat et al.	15/22.1
5,628,082	5/1997	Moskovich	15/110
5,742,972	4/1998	Bredall et al.	15/167.1
5,802,656	9/1998	Dawson et al.	15/110
5,875,510	3/1999	Lamond et al.	15/167.1
5,946,758	9/1999	Hohlbein et al.	15/167.1

[56] References Cited

U.S. PATENT DOCUMENTS

D. 49,472	8/1916	Dierke	D4/105
D. 172,693	7/1954	Wibbelsman et al.	D4/104
D. 201,867	8/1965	Newman	D4/104
D. 329,946	10/1992	Curtis et al.	D4/104
D. 330,286	10/1992	Curtis et al.	D4/104
D. 342,160	12/1993	Curtis et al.	D4/104
D. 342,161	12/1993	Curtis et al.	D4/104
D. 342,162	12/1993	Curtis et al.	D4/104
D. 343,294	1/1994	Curtis et al.	D4/104
D. 358,486	5/1995	Loew	D4/104
D. 358,712	5/1995	Loew	D4/104
D. 363,373	10/1995	Heinzelman et al.	D4/104
D. 364,740	12/1995	Loew	D4/104
D. 370,347	6/1996	Heinzelman et al.	D4/104
D. 370,564	6/1996	Moskovich	D4/104
D. 387,205	12/1997	Moskovich	D4/104
D. 391,766	3/1998	Moskovich	D4/104
D. 395,363	6/1998	Moskovich	D4/104
D. 397,254	8/1998	Moskovich	D4/104
D. 402,113	12/1998	Moskovich	D4/104
1,369,966	3/1921	Cosens et al.	15/167.1
2,043,898	6/1936	Malcolm	15/167.1
2,139,245	12/1938	Ogden	601/139
2,702,914	3/1955	Kittle et al.	15/114
2,797,424	7/1957	Olson	15/167.1
3,103,679	9/1963	Clemens	15/167.1
3,229,318	1/1966	Clemens	15/167.1

Primary Examiner—Alan P. Douglas
Assistant Examiner—Lavone Tabor
Attorney, Agent, or Firm—David A. Howley

[57] CLAIM

The ornamental design for a set of bristles for a brush, as shown and described.

DESCRIPTION

FIG. 1 is a perspective view as seen from the top, front and right side of a set of bristles for a brush showing our new design;
FIG. 2 is a top plan view thereof;
FIG. 3 is a right side elevational view thereof, the left side elevation being a mirror image thereof;
FIG. 4 is a bottom plan view thereof;
FIG. 5 is a front elevational view thereof;
FIG. 6 is a rear elevational view thereof; and,
FIG. 7 is a reduced perspective view thereof with the set of bristles being shown on a toothbrush handle. Unclaimed environmental structure of a brush head, neck and handle portions are shown in dashed lines and form no part of the claimed design.

1 Claim, 4 Drawing Sheets

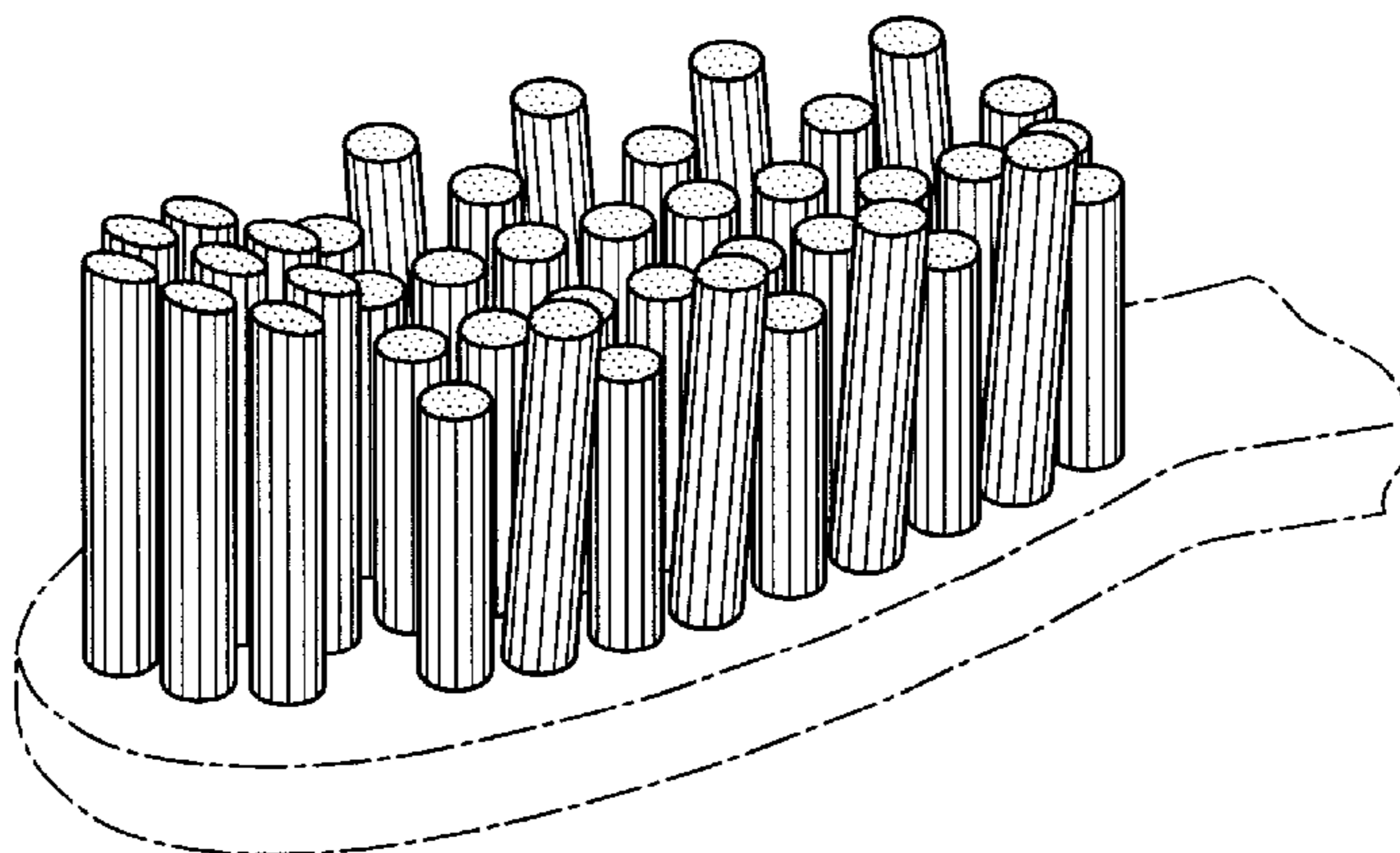


FIG. 1

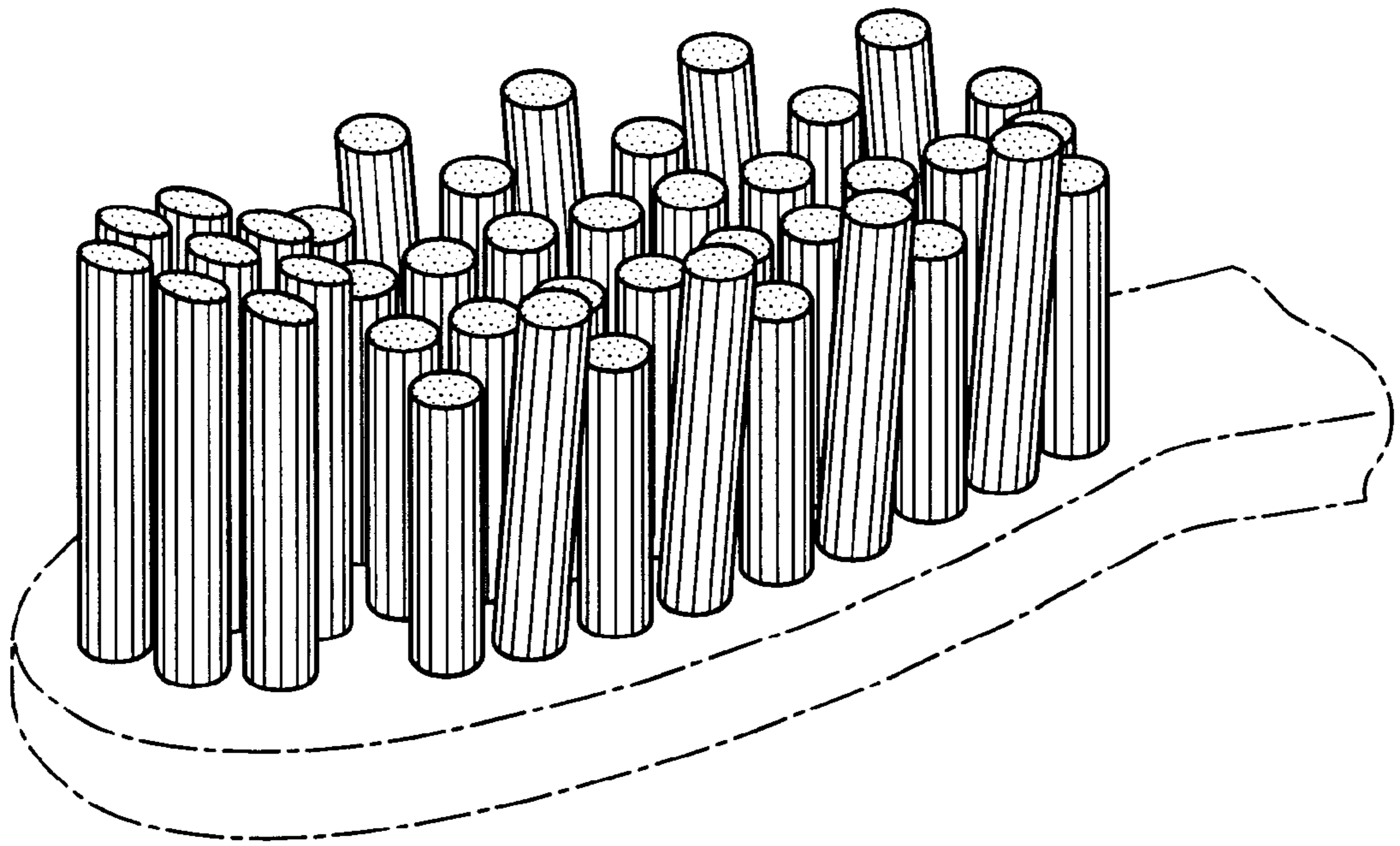


FIG. 2

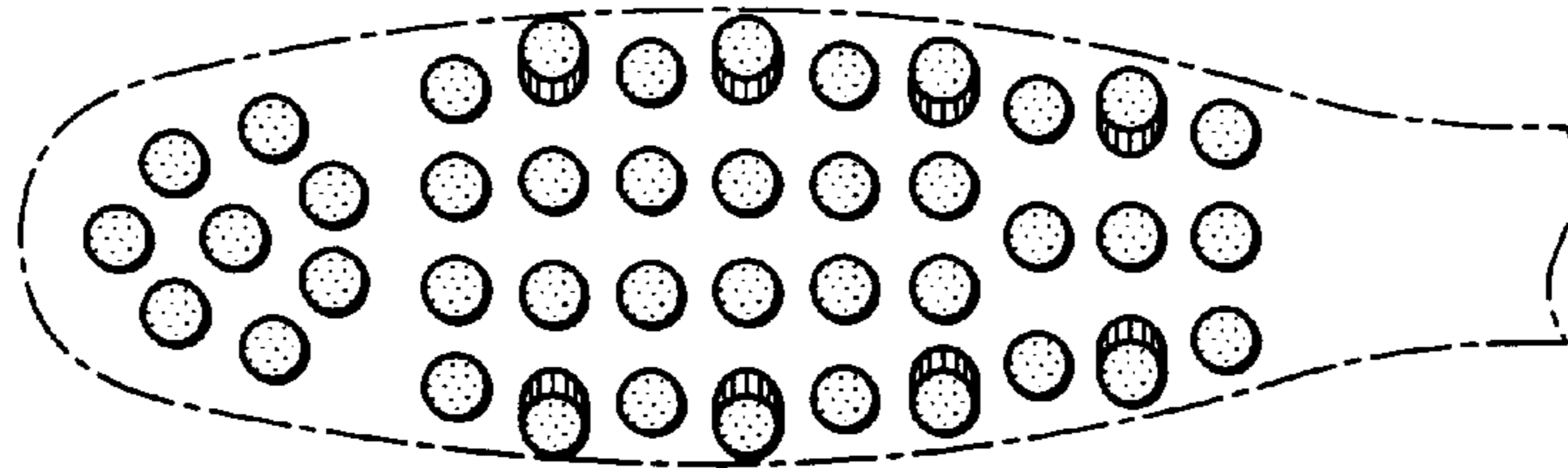


FIG. 3

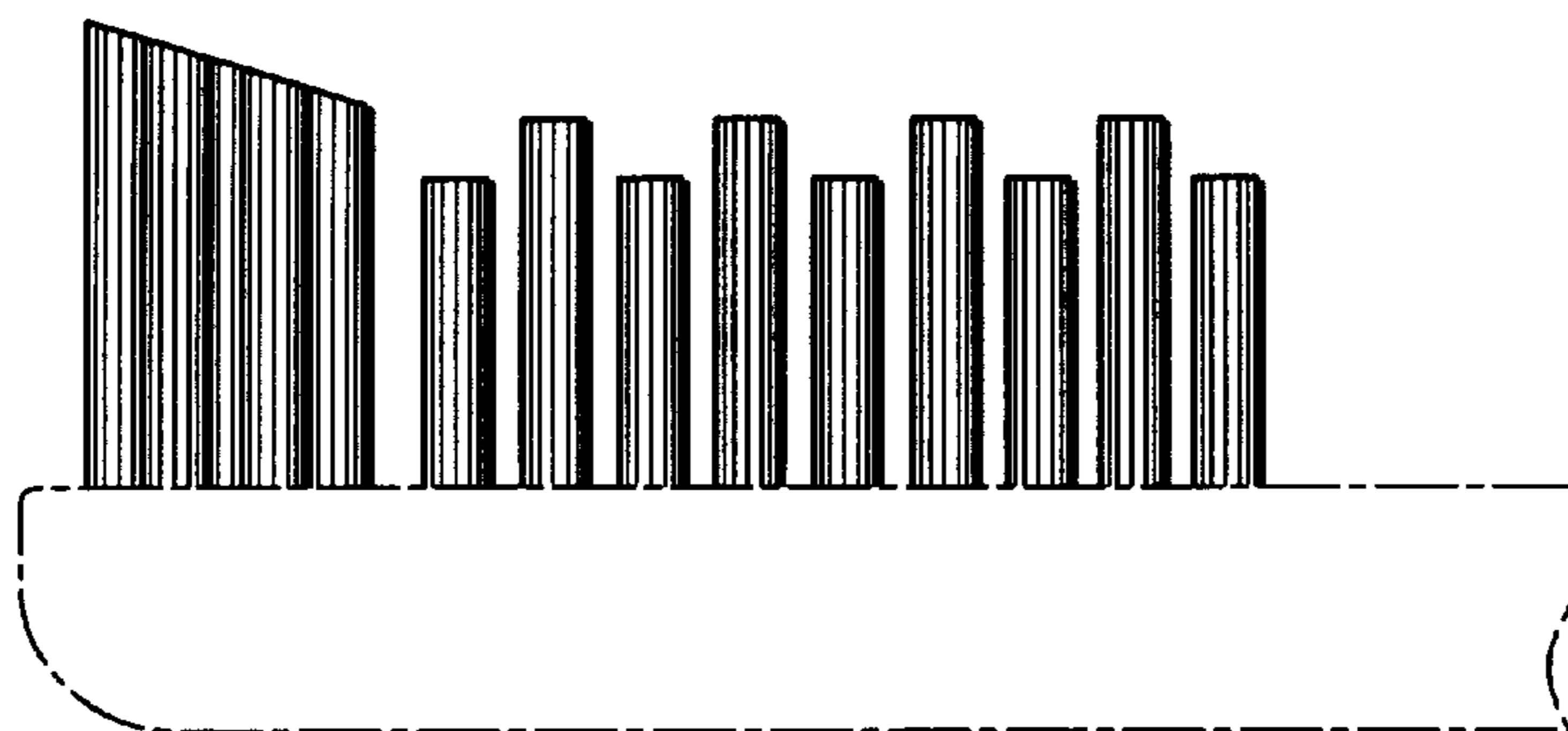


FIG. 4

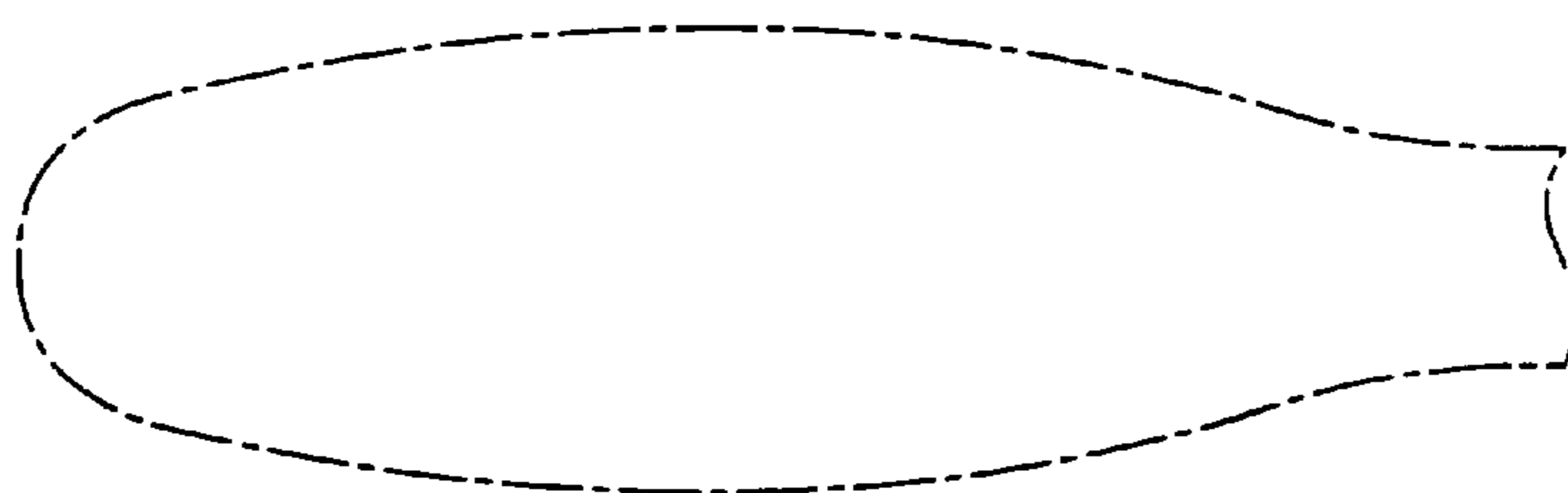


FIG. 5

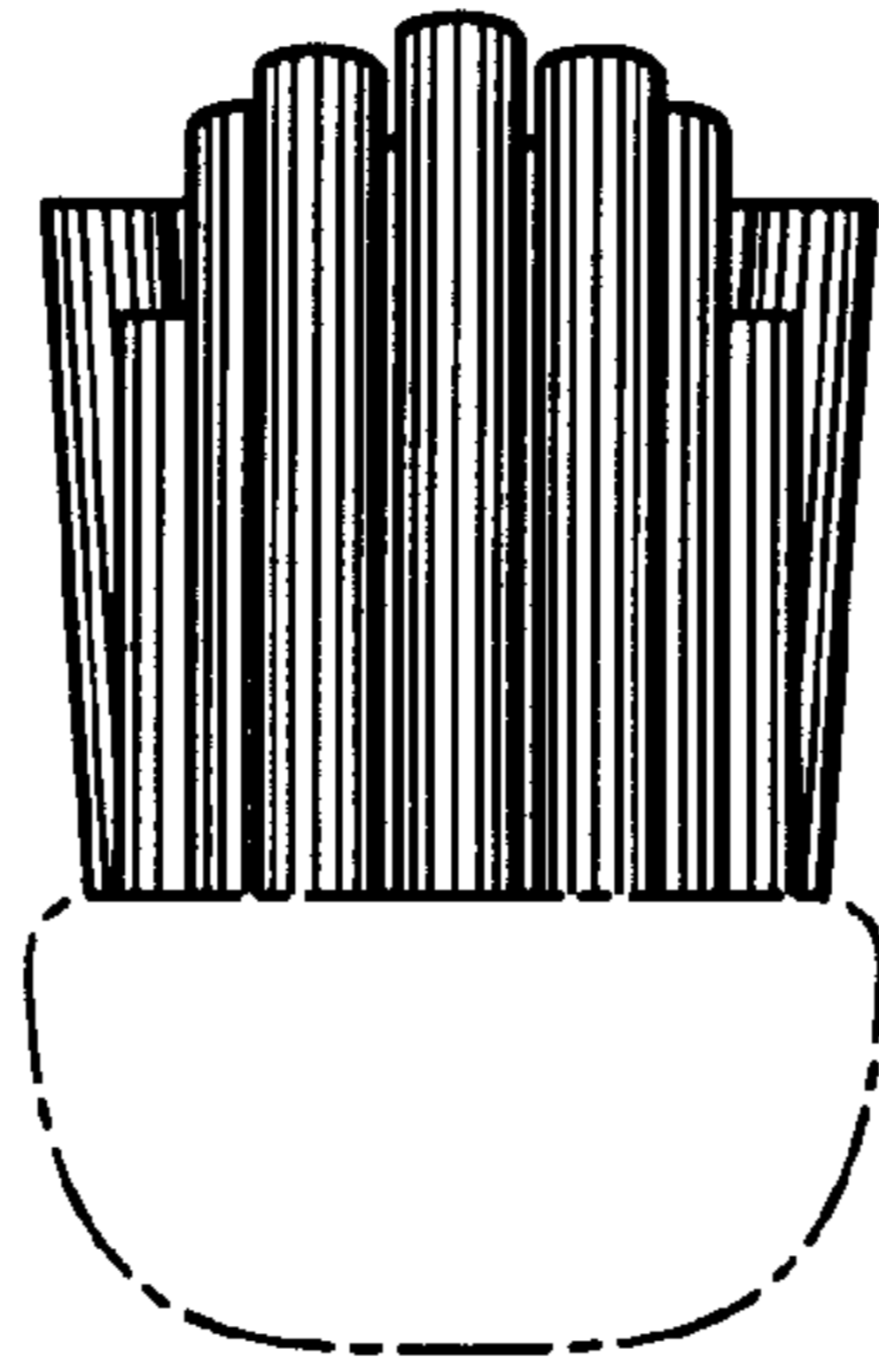
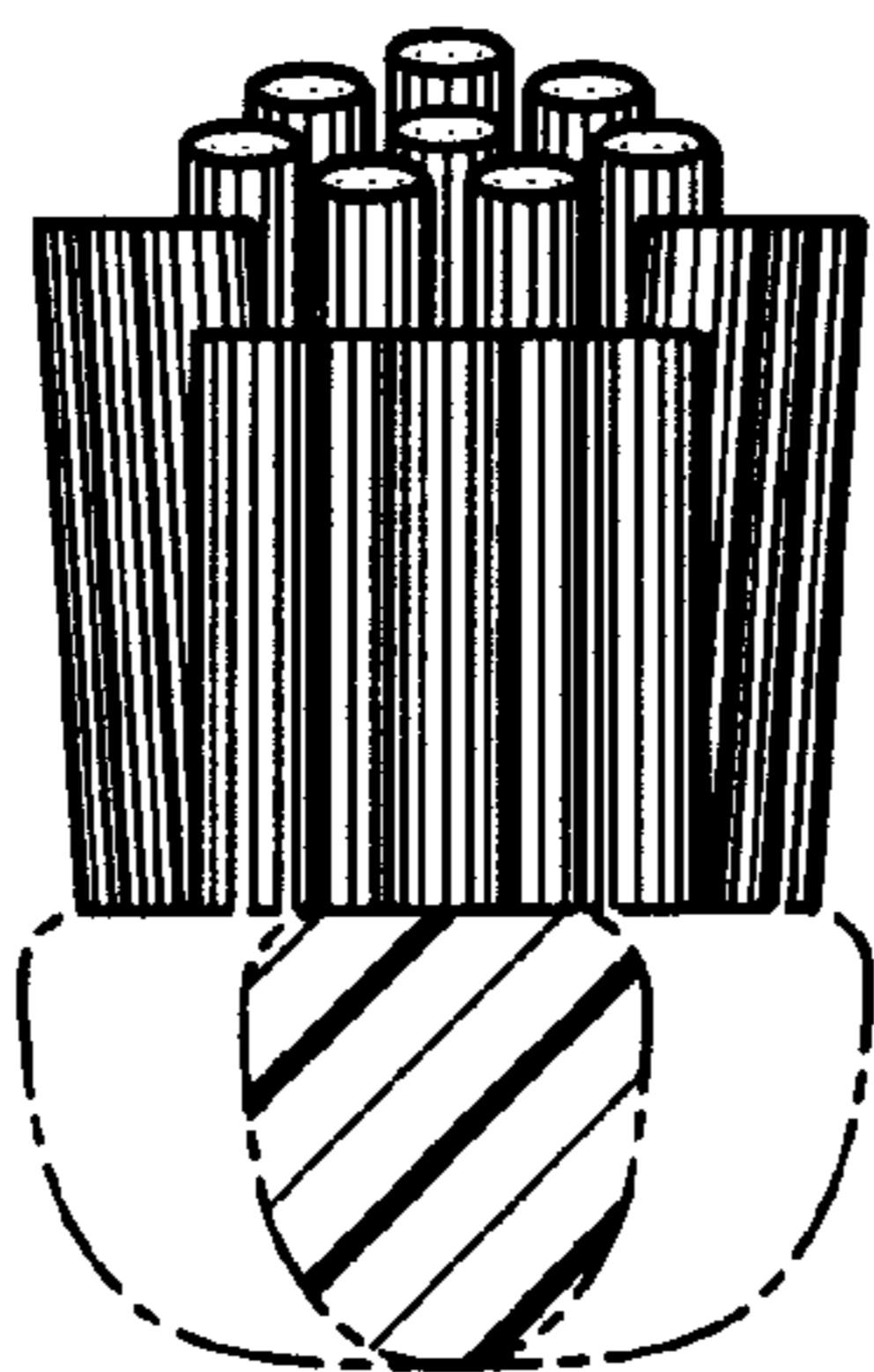


FIG. 6



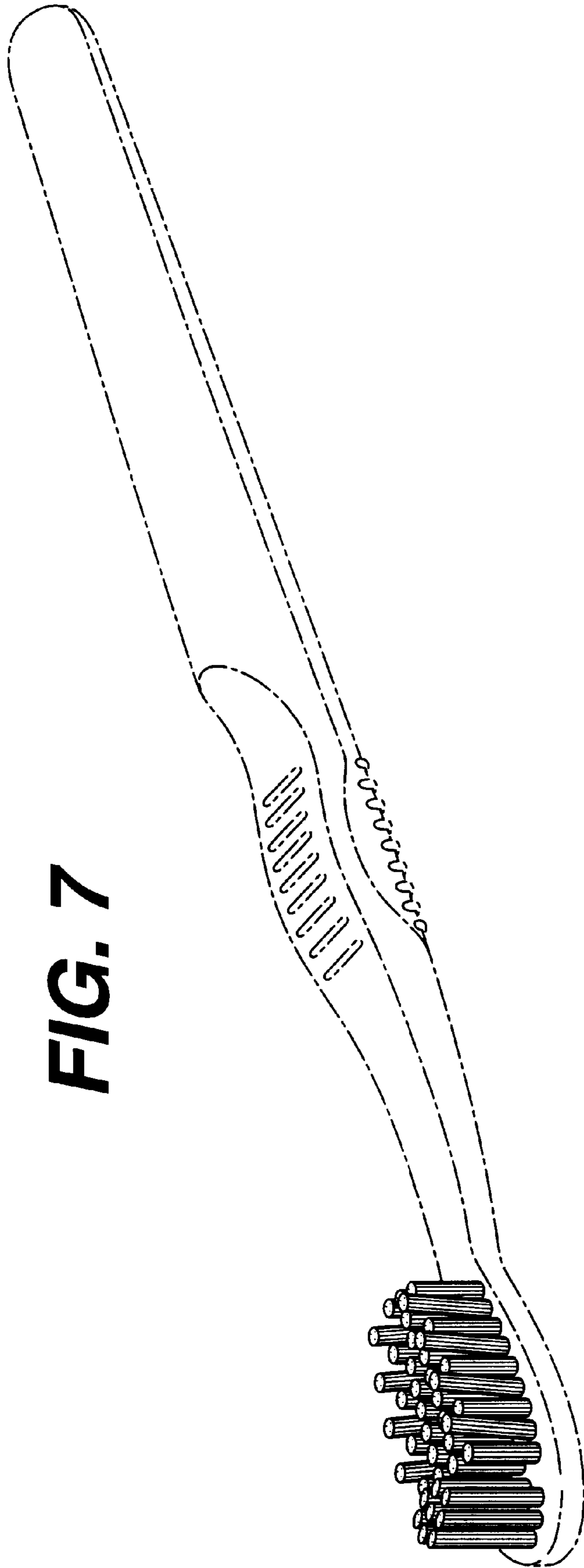


FIG. 7