



US00D434561S

United States Patent [19]

[11] Patent Number: **Des. 434,561**

Vasudeva

[45] Date of Patent: **** Dec. 5, 2000**

[54] UPRIGHT TOOL CASE

[75] Inventor: **Kailash C. Vasudeva**, Waterloo, Canada

[73] Assignee: **Maxtech Manufacturing Inc.**, Waterloo, Canada

[**] Term: **14 Years**

[21] Appl. No.: **29/092,326**

[22] Filed: **Aug. 17, 1998**

[51] **LOC (7) Cl.** **03-01**

[52] **U.S. Cl.** **D3/282; D3/294; D3/905**

[58] **Field of Search** **D3/273, 276, 282, D3/294, 905, 295; 206/349, 372, 373, 374, 379, 378**

[56] References Cited

U.S. PATENT DOCUMENTS

| | | | | |
|------------|---------|------------------|-------|---------|
| D. 167,868 | 9/1952 | Selikoff et al. | | D3/274 |
| D. 277,339 | 1/1985 | Huot, Jr. et al. | | D3/295 |
| D. 315,057 | 3/1991 | Bridges | | D3/295 |
| D. 343,731 | 2/1994 | Tsumita | | D3/282 |
| D. 358,257 | 5/1995 | Sidabras et al. | | D3/282 |
| D. 382,115 | 8/1997 | Chang | | D3/282 |
| D. 399,652 | 10/1998 | Fang | | D3/276 |
| D. 400,709 | 11/1998 | Chang | | D3/294 |
| 1,610,146 | 12/1926 | Panzer | | 190/109 |
| 1,827,929 | 10/1931 | Bigelow | | 220/529 |
| 3,426,890 | 2/1969 | Bayer | | 206/379 |
| 5,123,532 | 6/1992 | Rau et al. | | 206/379 |
| 5,133,455 | 7/1992 | Chow | | 206/374 |

Primary Examiner—Philip S. Hyder
Attorney, Agent, or Firm—R. Craig Armstrong

[57] CLAIM

I claim the ornamental design for the upright tool case, as shown and described.

DESCRIPTION

FIG. 1 is a perspective view of an upright tool case, showing my new design;

FIG. 2 is a left side elevational view thereof, wherein the cover is open and the component holders are pivoted outward;

FIG. 3 is a front elevational view of a modified embodiment of the upright tool case;

FIG. 4 is a left side elevational view of the modified embodiment, wherein the cover is open and the component holders are pivoted outward;

FIG. 5 is a front elevational view of a second modified embodiment of the upright tool case;

FIG. 6 is a left side elevational view of the second modified embodiment, wherein the cover is open and the component holders are pivoted outward;

FIG. 7 is a top plan view for all three embodiments of the upright tool case, in its closed configuration;

FIG. 8 is a right side elevational view for all three embodiments of the upright tool case, in its closed configuration;

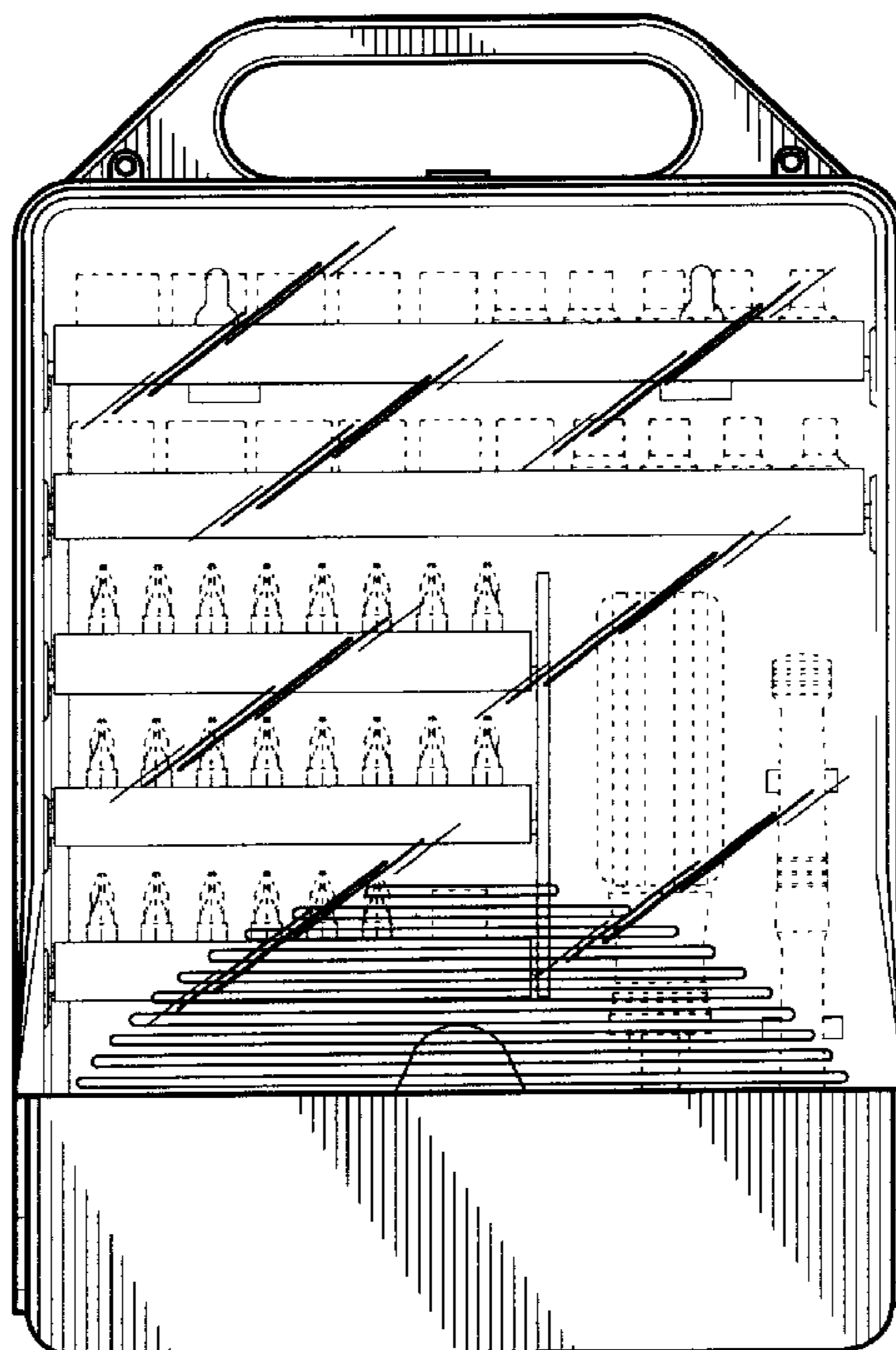
FIG. 9 is a rear elevational view for all three embodiments of the upright tool case, in its closed configuration;

FIG. 10 is a left side elevational view for all three embodiments of the upright tool case, in its closed configuration; and,

FIG. 11 is a bottom plan view for all three embodiments of the upright tool case, in its closed configuration.

The unshown portions of the interior of the upright tool case form no part of the claimed design.

1 Claim, 4 Drawing Sheets



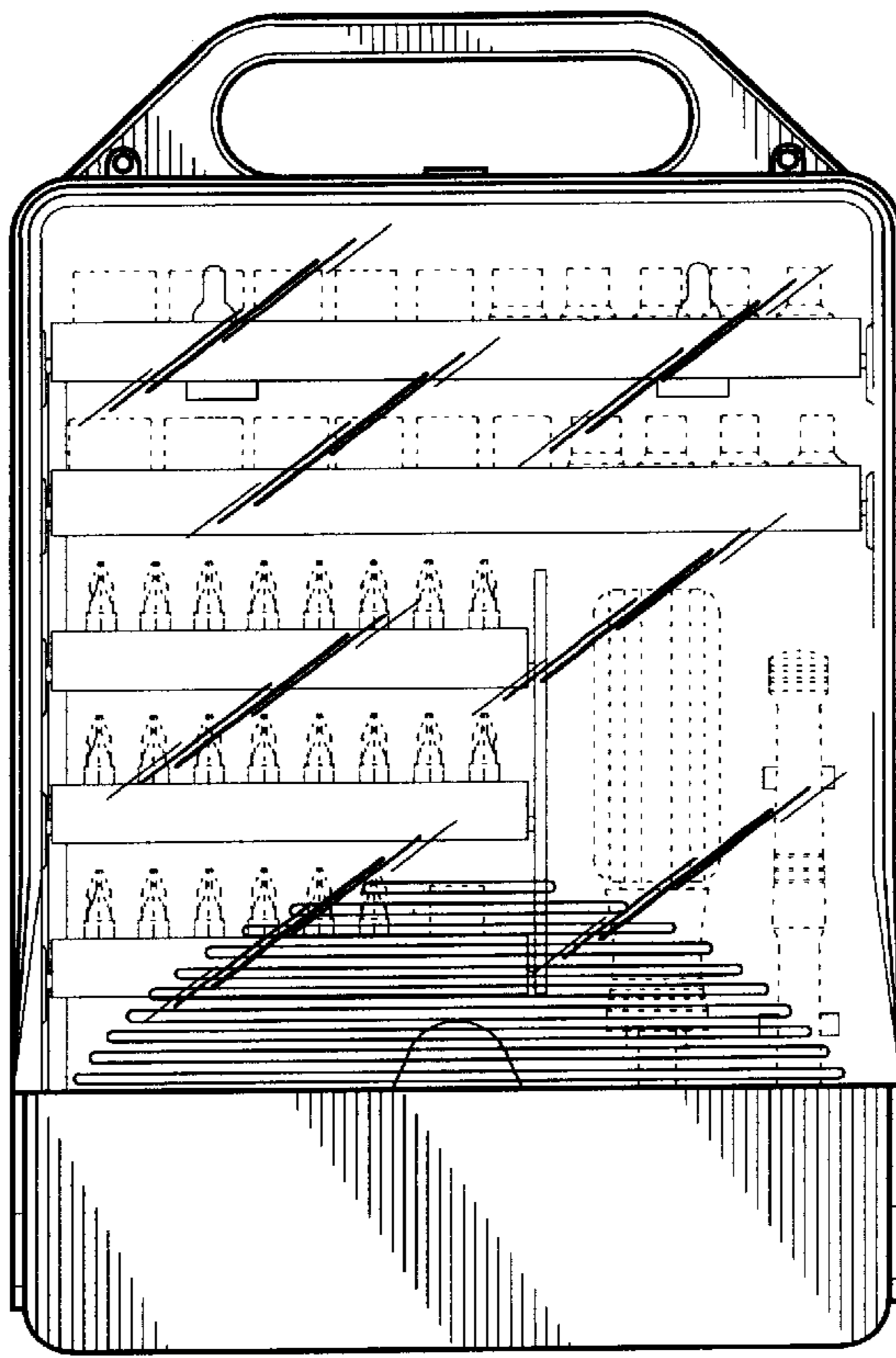


FIG. 1

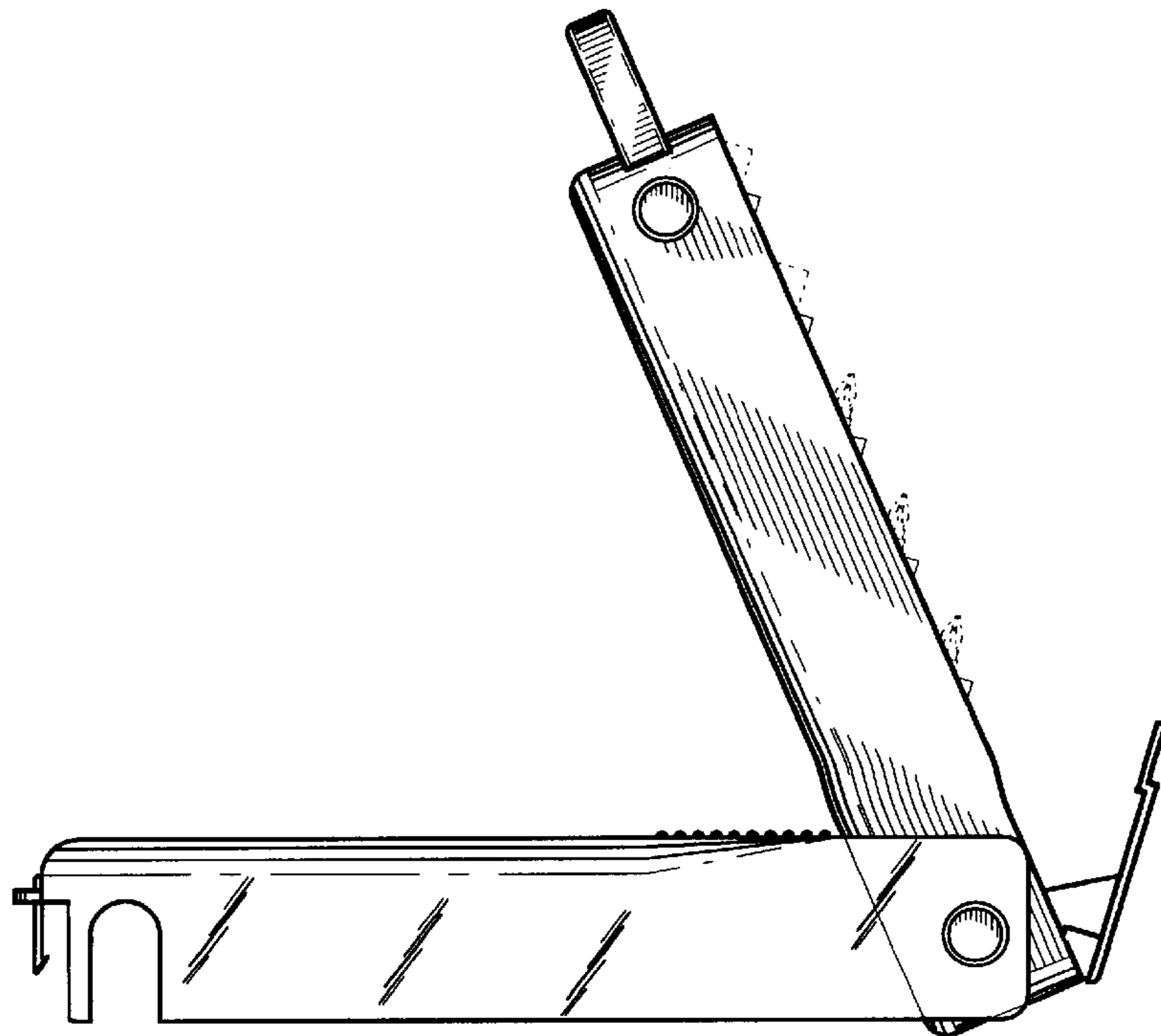


FIG. 2

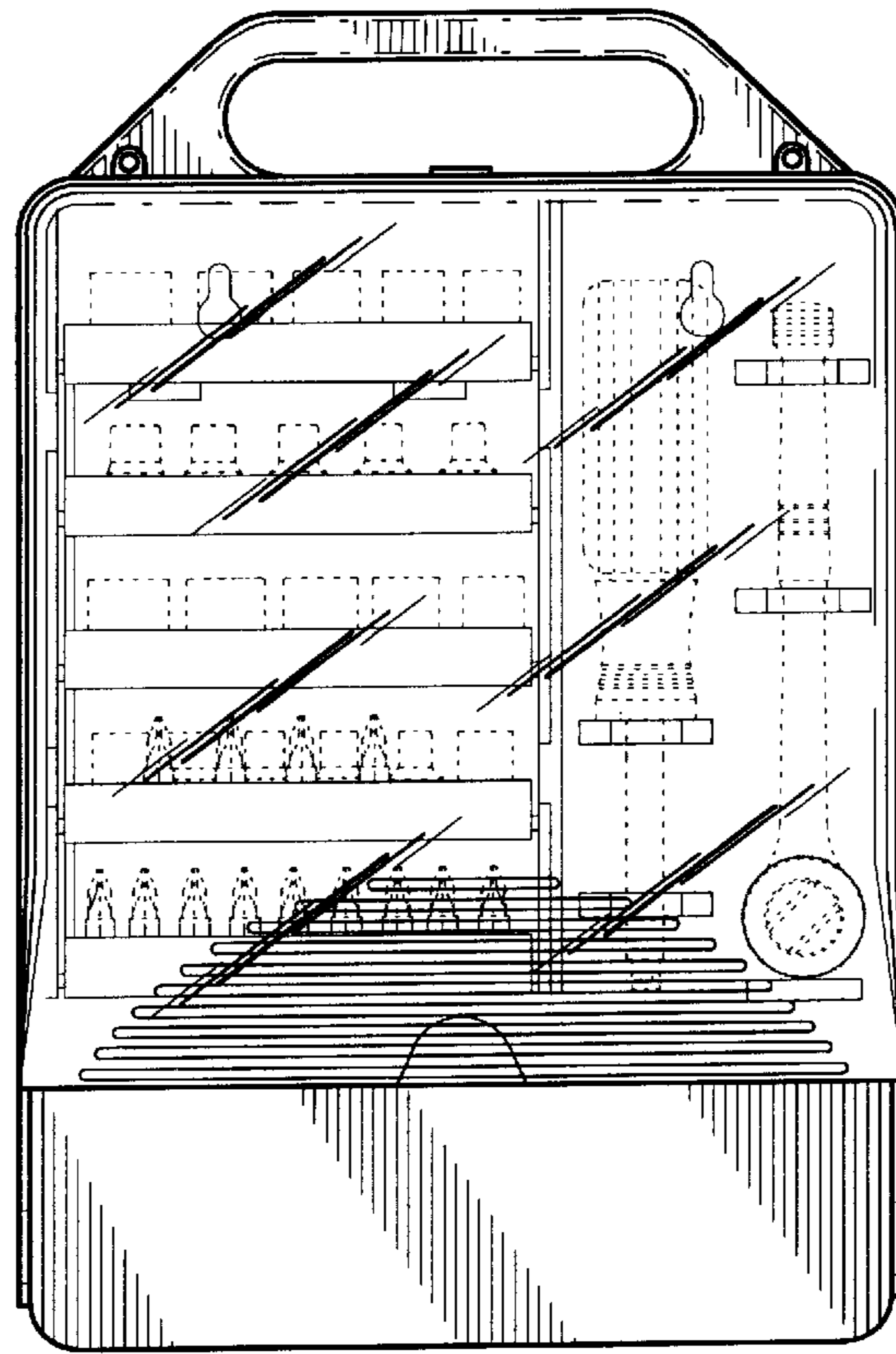


FIG. 3

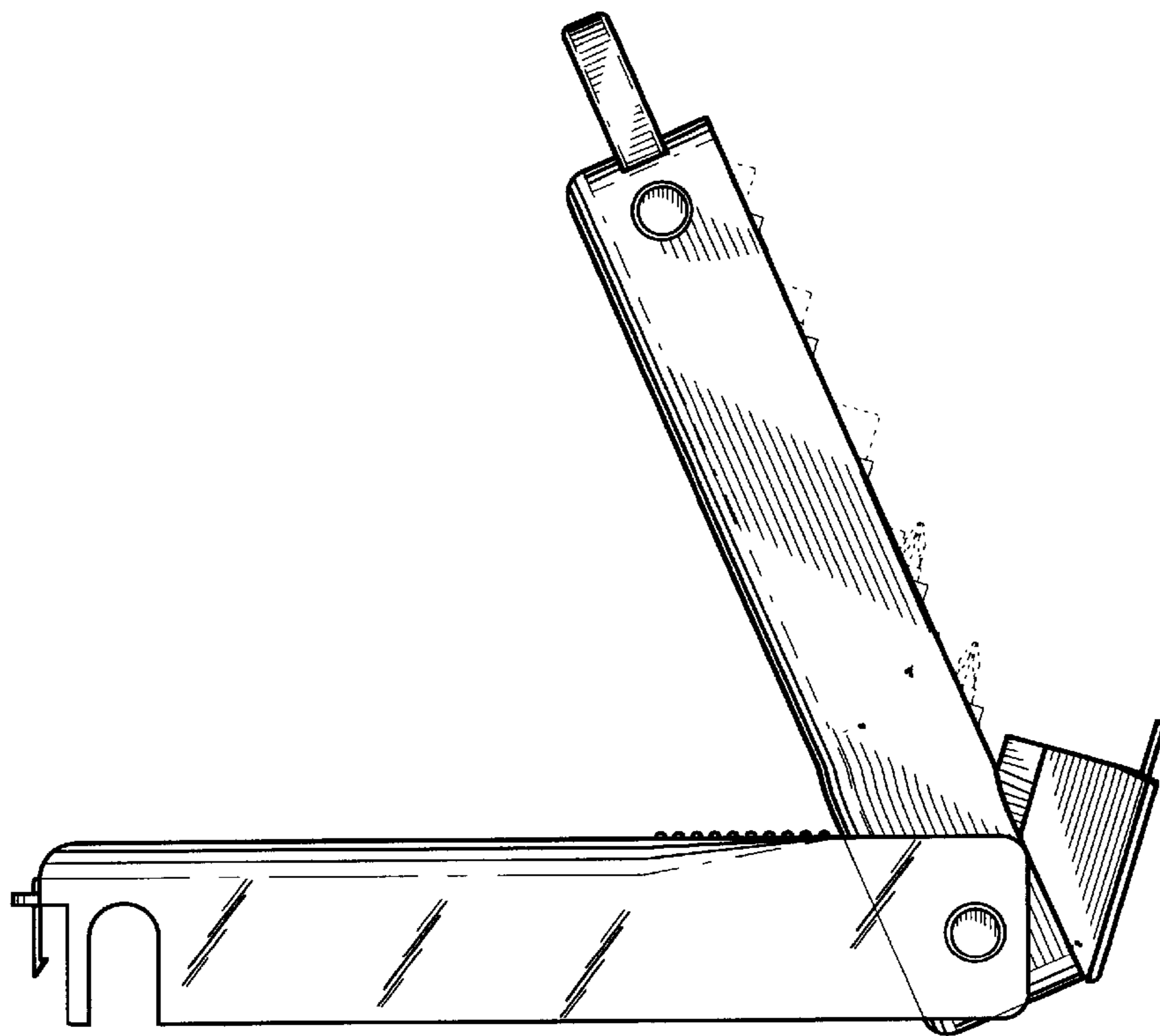


FIG. 4

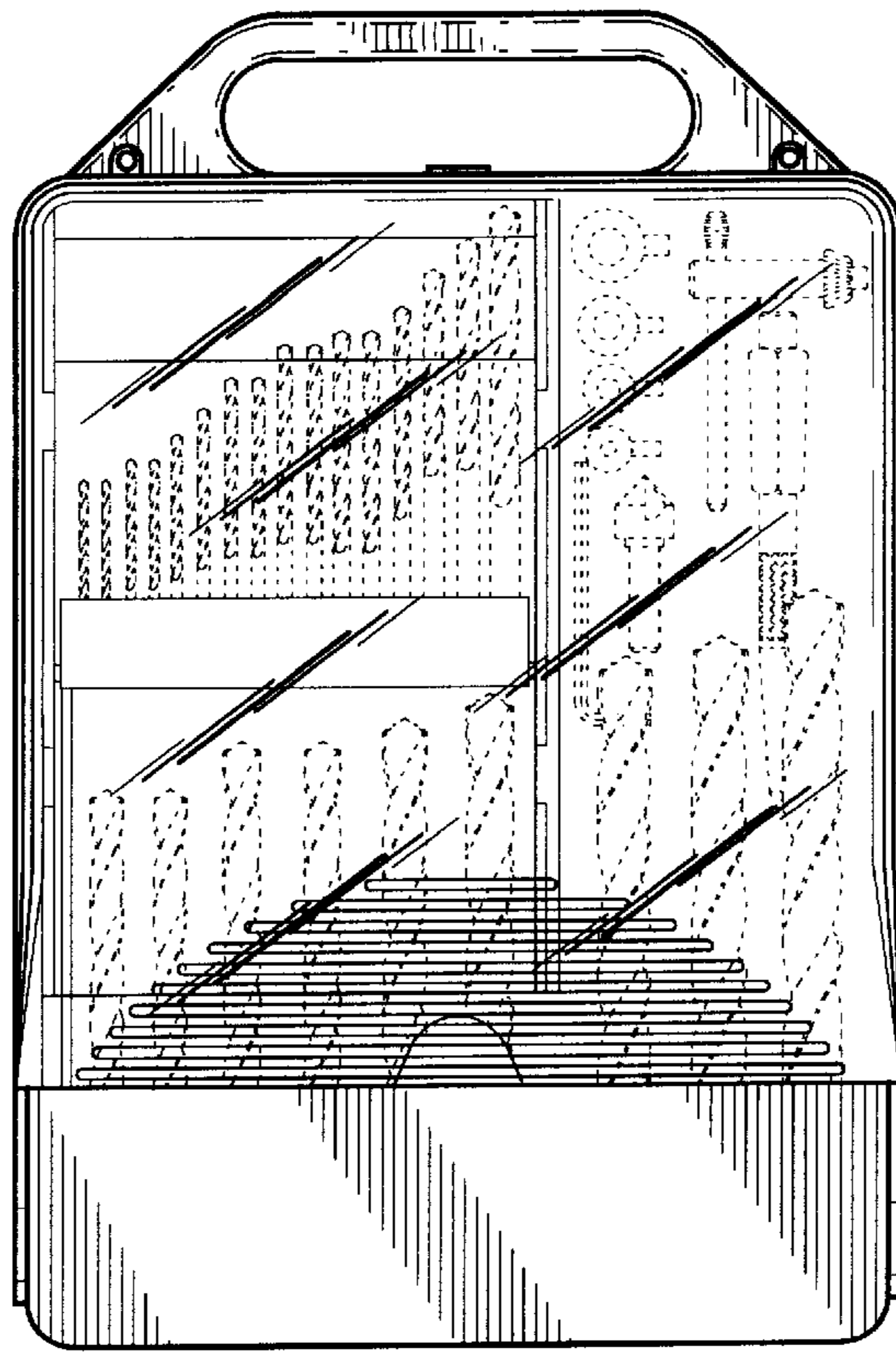


FIG. 5

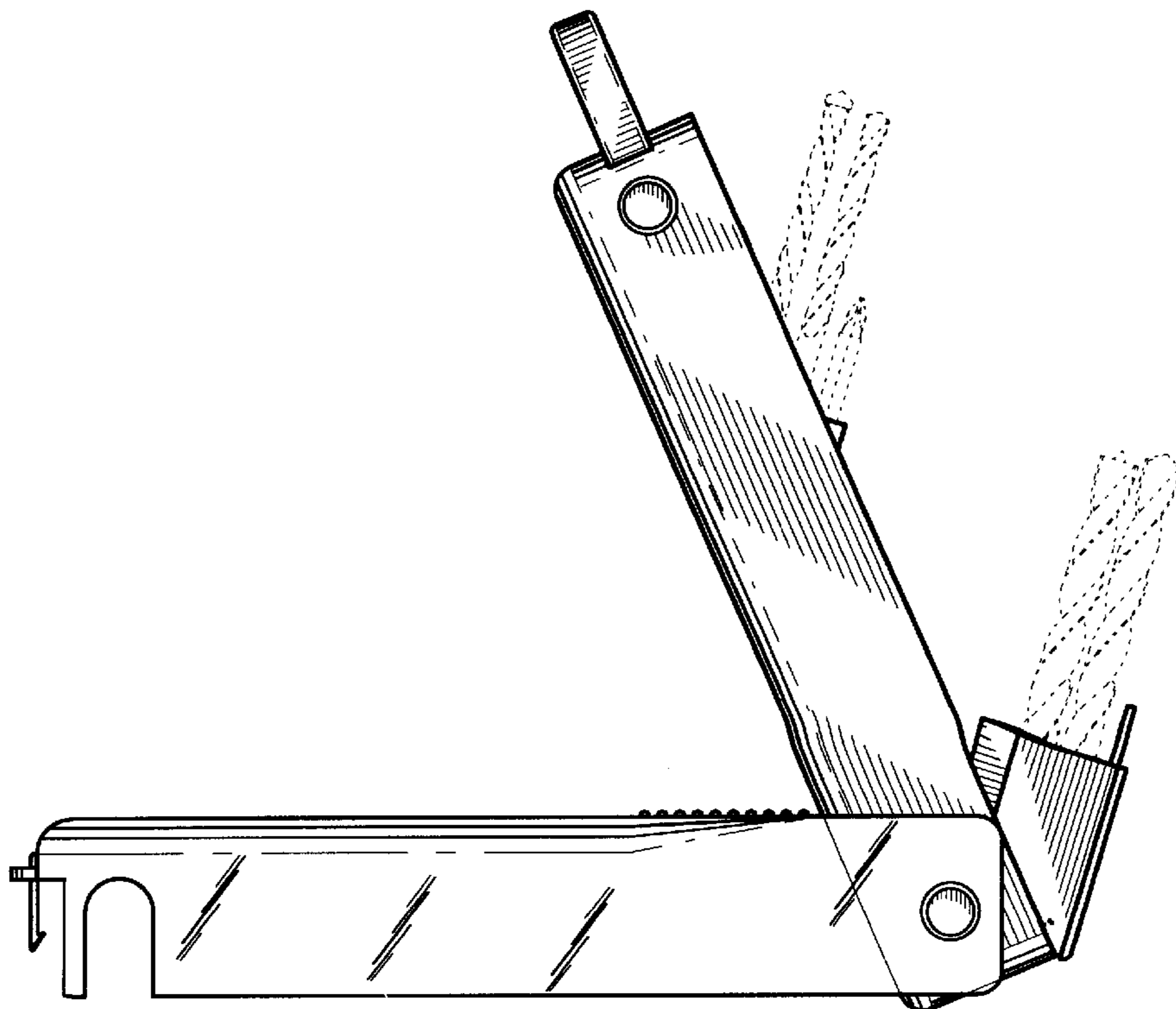


FIG. 6

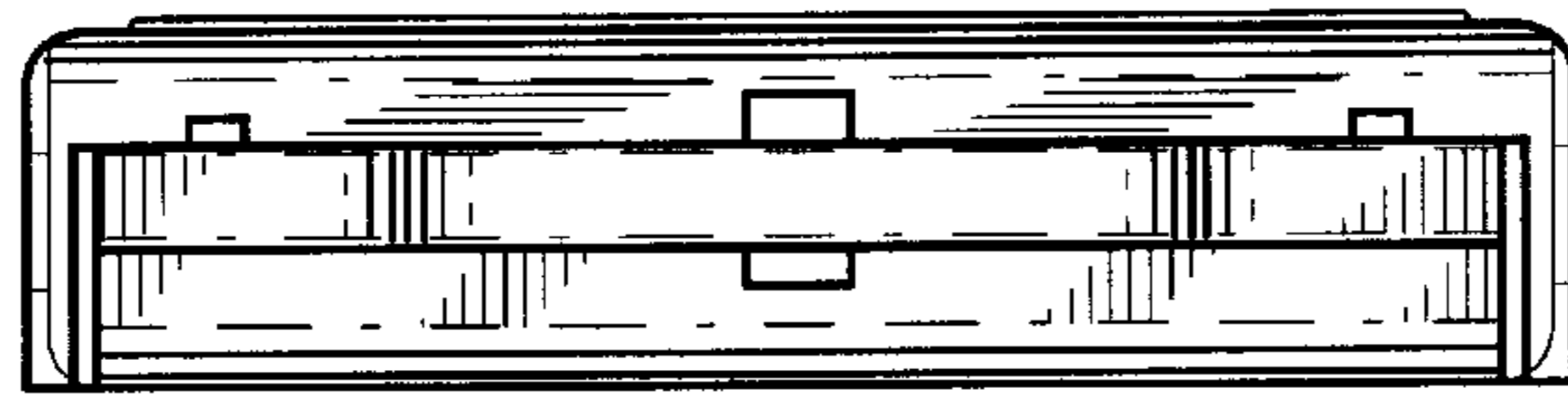


FIG. 7

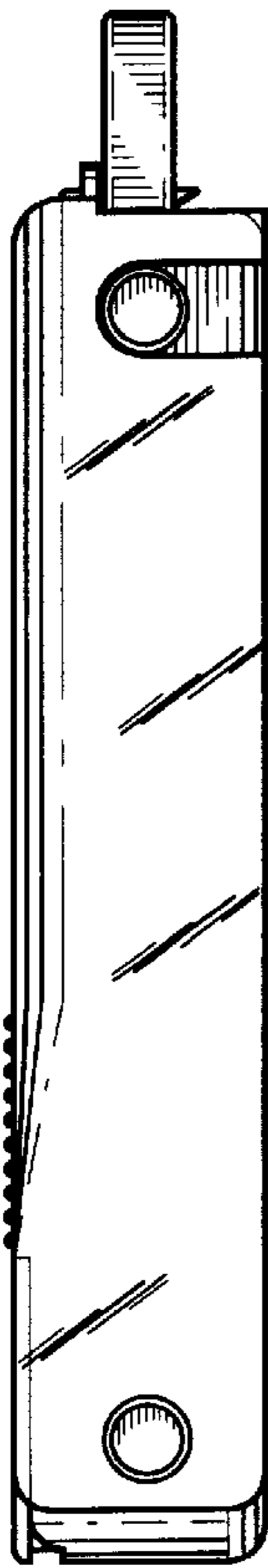


FIG. 8

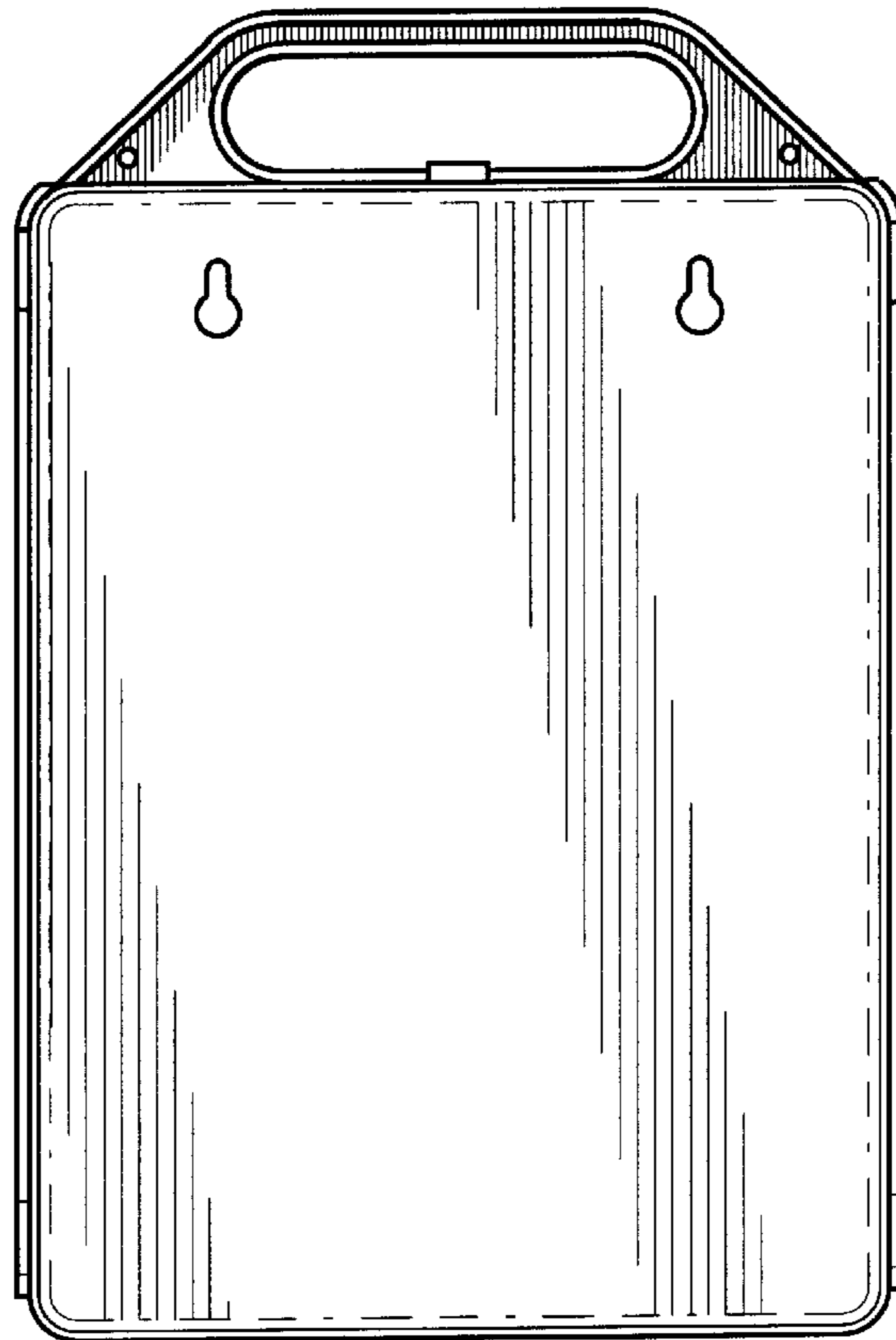


FIG. 9

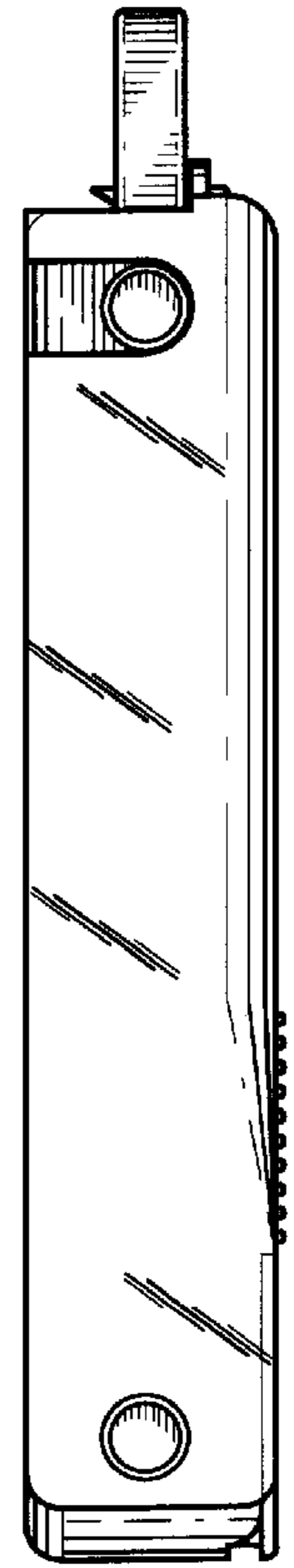


FIG. 10

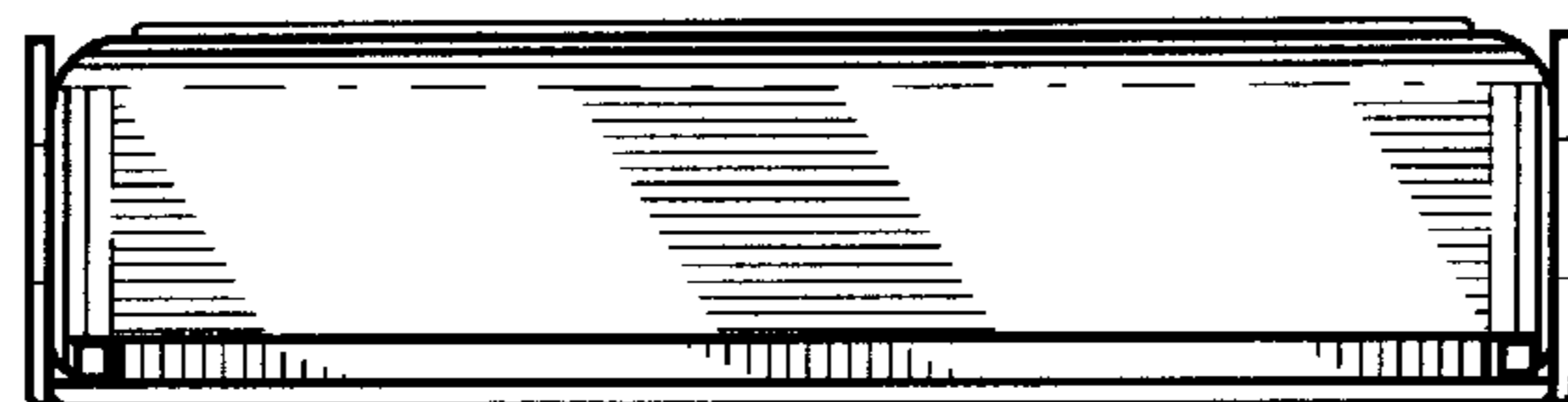


FIG. 11