



US00D434558S

United States Patent [19]

[11] **Patent Number: Des. 434,558**

Brady et al.

[45] **Date of Patent: ** Dec. 5, 2000**

[54] **INTRAOCULAR LENS INJECTOR HOLDER**

5,947,974 9/1999 Brady et al. 606/107

[75] Inventors: **Daniel G. Brady**, San Juan Capistrano;
Jonas H. Bourghardt, Ventura;
Michael Collinson, Goleta; **Hector R. Santos**, Camarillo; **Claude A. Vidal**, Santa Barbara, all of Calif.

Primary Examiner—Louis S. Zarfaz
Assistant Examiner—Catherine R. Oliver
Attorney, Agent, or Firm—Stout, Uxa, Buyan & Mullins;
Frank J. Uxa

[73] Assignee: **Allergan Sales, INC**, Irvine, Calif.

[57] **CLAIM**

[**] Term: **14 Years**

The ornamental design for intraocular lens injector holder, as shown and described.

[21] Appl. No.: **29/103,458**

DESCRIPTION

[22] Filed: **Apr. 15, 1999**

[51] **LOC (7) Cl.** **03-01**

[52] **U.S. Cl.** **D3/203**

[58] **Field of Search** D3/203, 201, 205;
606/1, 107; 206/5.1, 5, 6

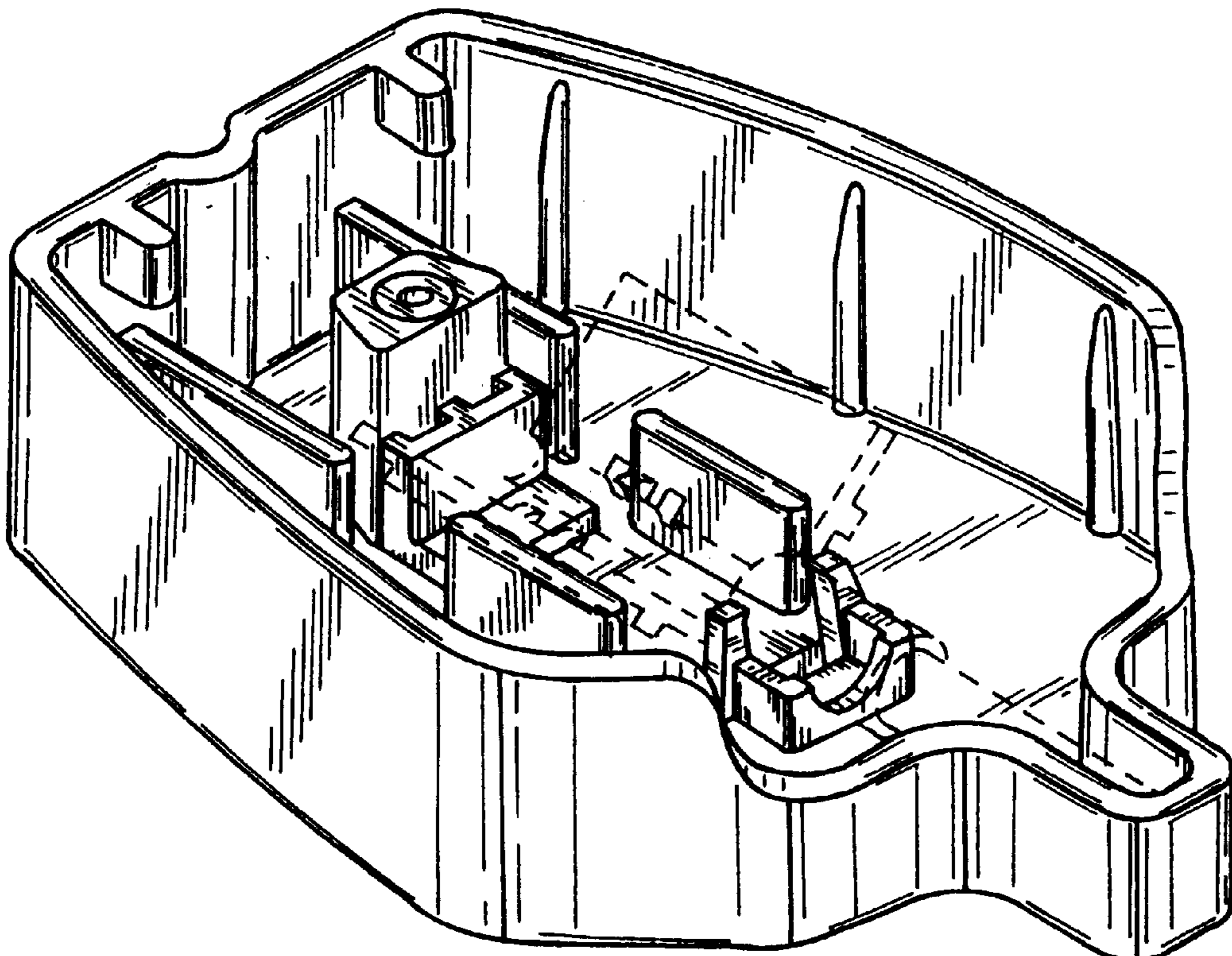
FIG. 1 is a perspective view showing the top, front and left side of the intraocular lens injector holder.
FIG. 2 is a plan view showing the top of the intraocular lens injector holder of the present invention;
FIG. 3 is an elevation view showing the front of the intraocular lens injector holder of the present invention.
FIG. 4 is an elevation view showing the left side of the intraocular lens injector holder of the present invention;
FIG. 5 is an elevation view showing the right side of the intraocular lens injector holder of the present invention.
FIG. 6 is an elevation view showing the rear of the intraocular lens injector holder of the present invention; and,
FIG. 7 is a plan view showing the bottom of the intraocular lens injector holder of the present invention.
The broken line showing of environment in FIG. 1 is for illustrative purposes only and forms no part of the claimed design.

[56] **References Cited**

U.S. PATENT DOCUMENTS

4,615,703	10/1986	Callahan et al.	606/107
4,619,657	10/1986	Keates et al.	606/107
4,763,650	8/1988	Hauser	606/107
5,171,241	12/1992	Buboltz et al.	606/1
5,176,686	1/1993	Poley	606/107
5,578,042	11/1996	Cumming	606/107
5,582,614	12/1996	Feingold	606/107
5,643,276	7/1997	Zaleski	606/107
5,891,152	4/1999	Feingold	606/107

1 Claim, 2 Drawing Sheets



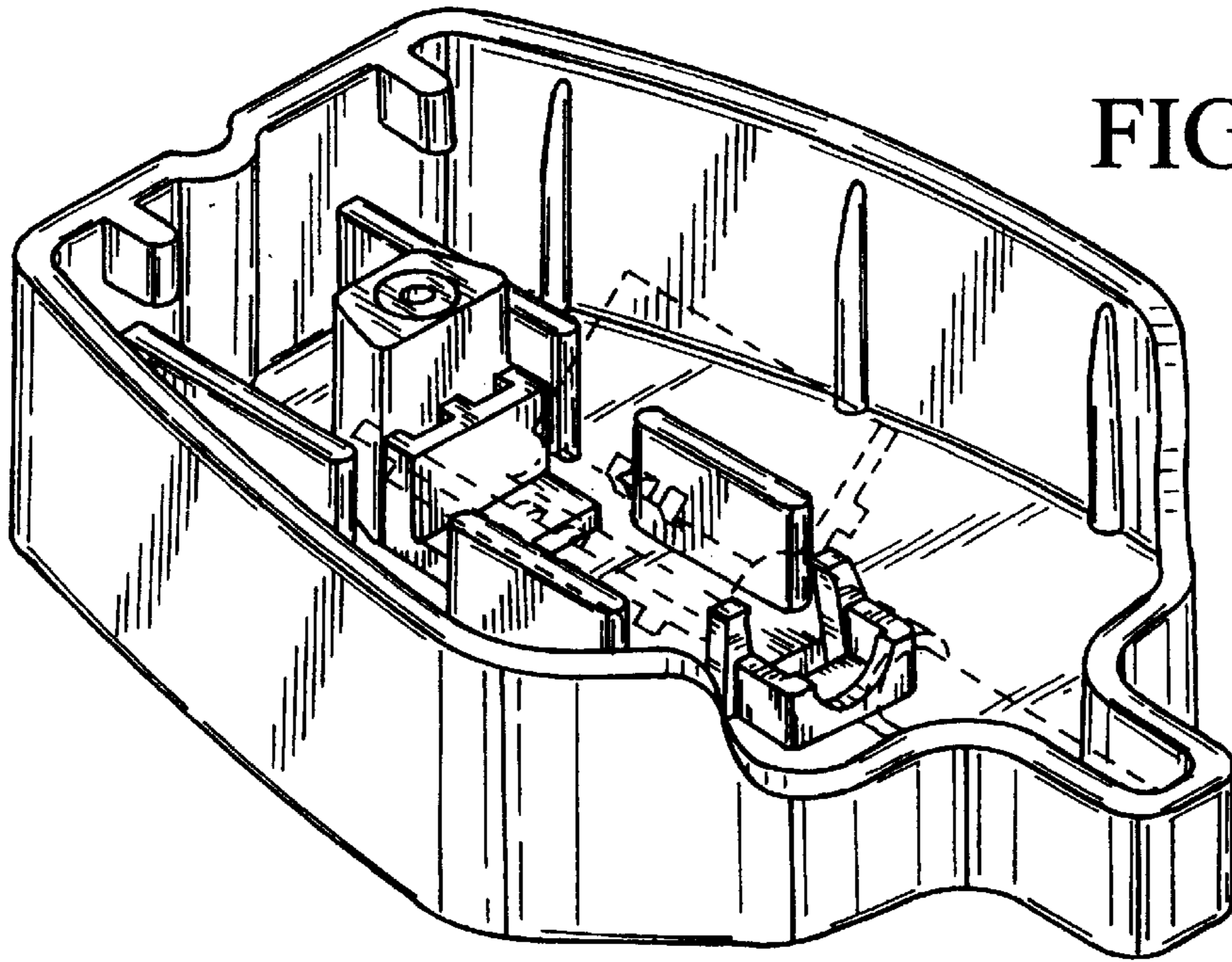


FIG. 1

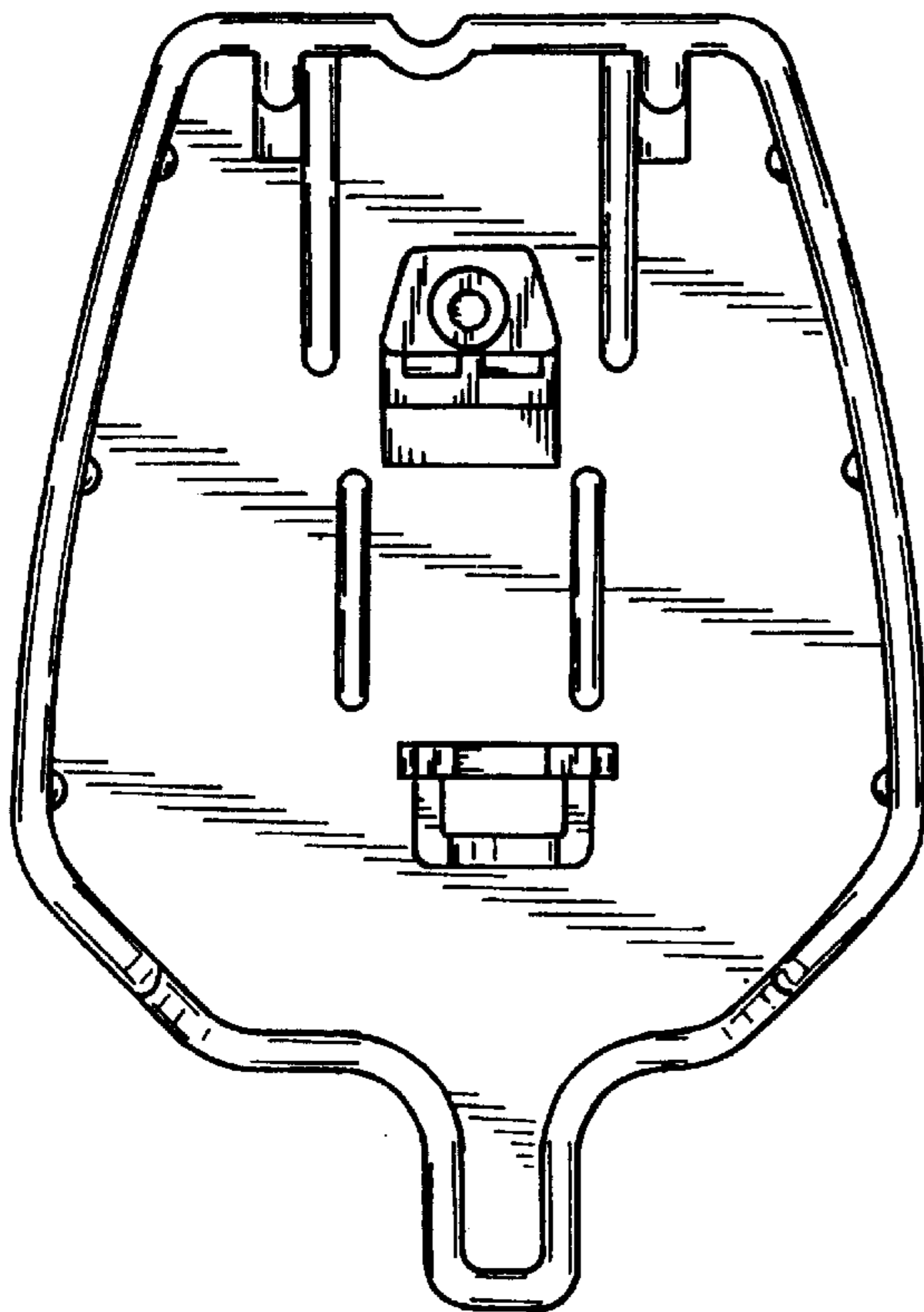


FIG. 2

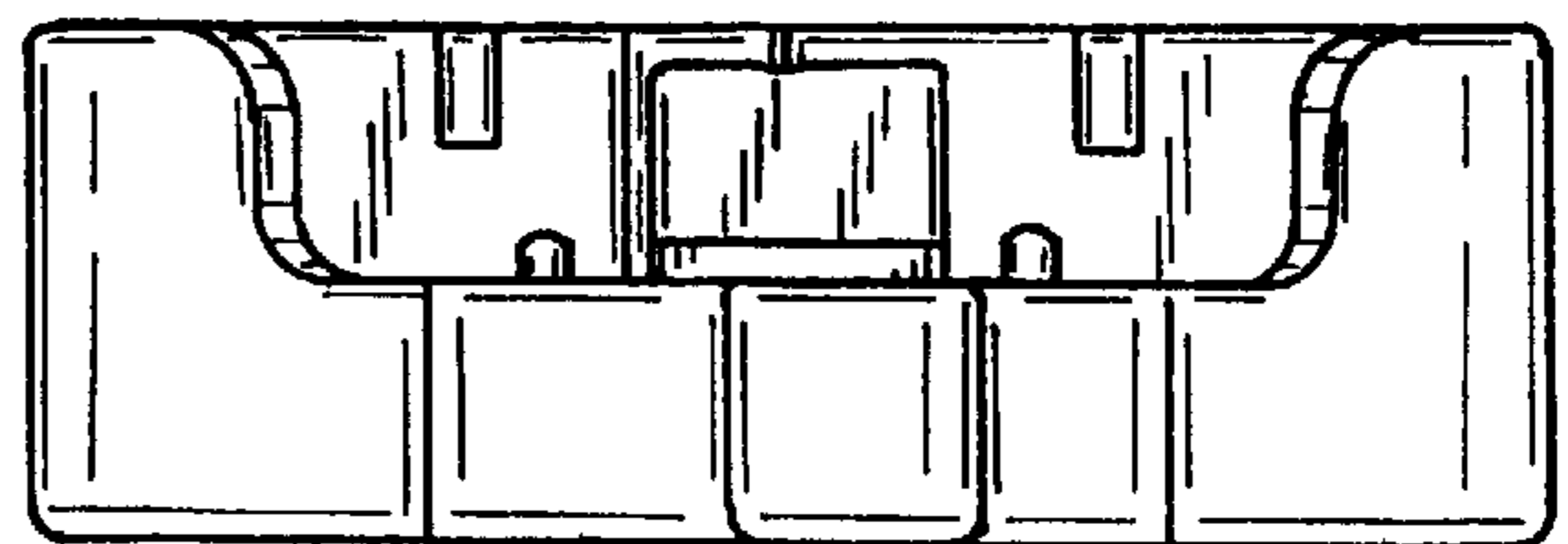


FIG. 3

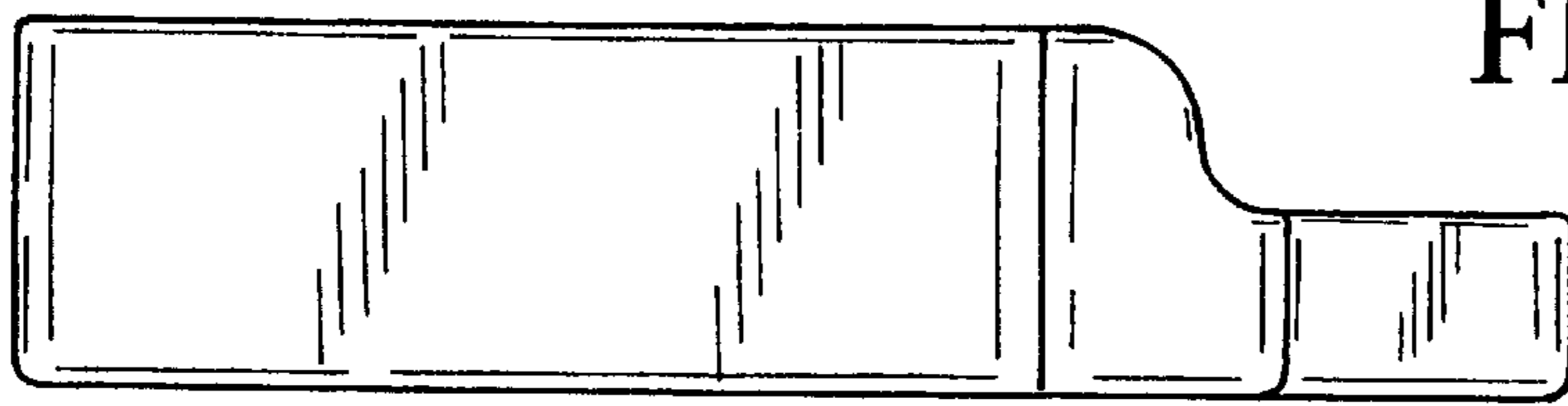


FIG. 4

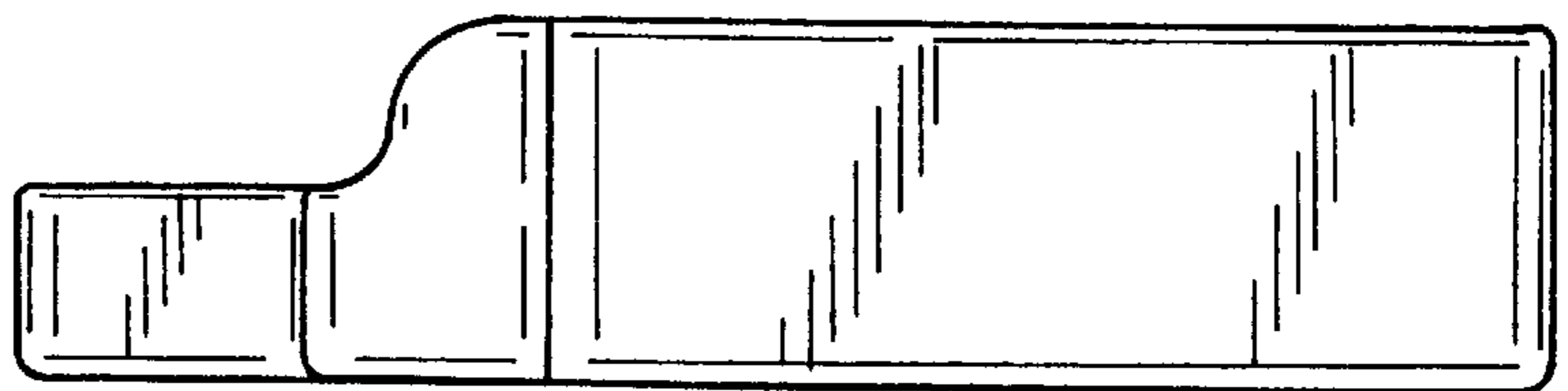


FIG. 5

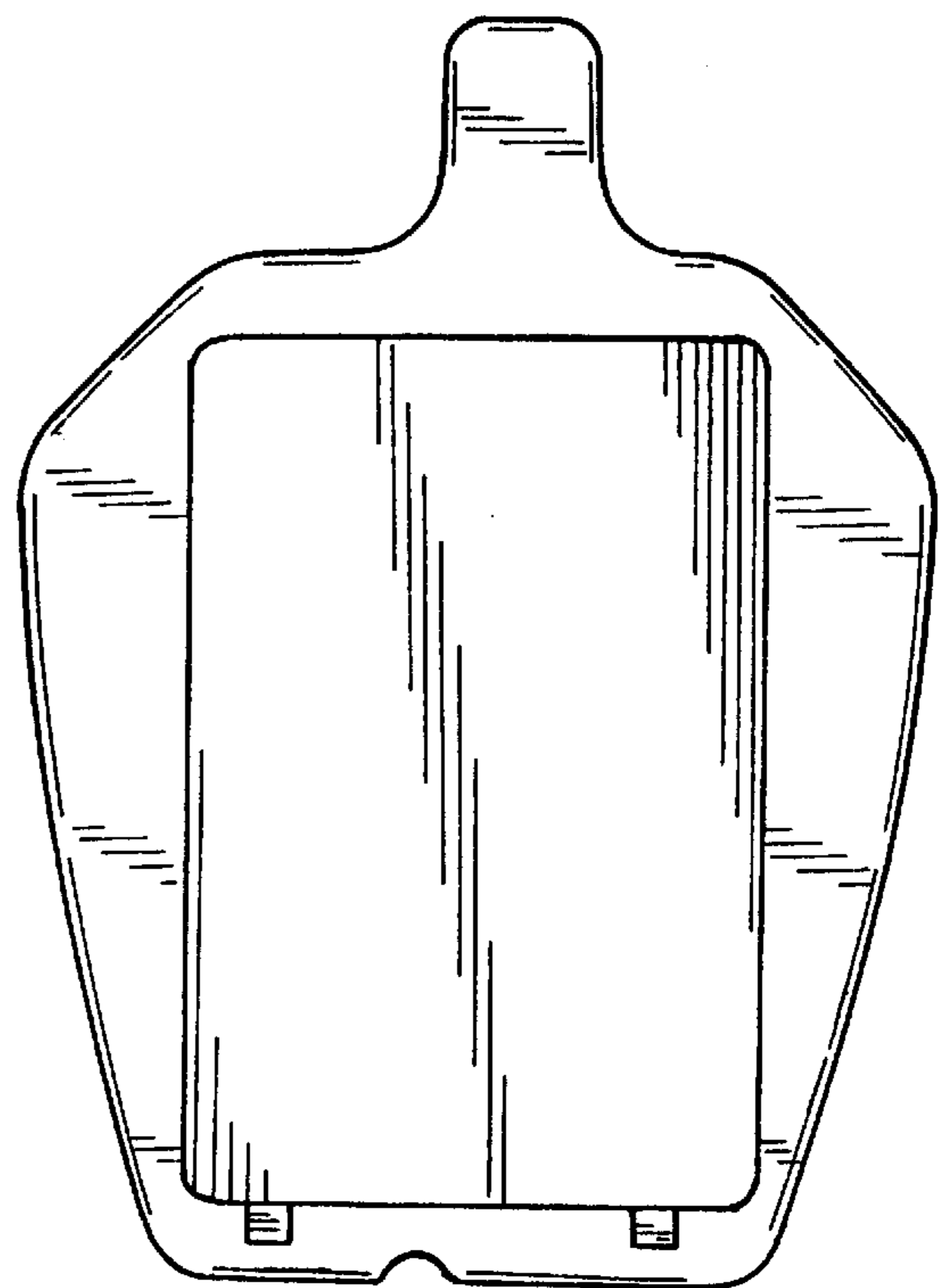


FIG. 7

FIG. 6

