



US00D434556S

# United States Patent [19] Lin

[11] **Patent Number: Des. 434,556**

[45] **Date of Patent: \*\* Dec. 5, 2000**

[54] **SUNSHADE (I)**

D. 409,369 5/1999 Vega ..... D3/5  
2,595,697 5/1952 Pereira ..... 135/20.3  
3,120,238 2/1964 Glatz ..... 135/21

[76] **Inventor: Chen-Hsiung Lin**, No. 174, Ting Tan, Pi Tan Tsun, Lu Tsao Hsiang, Chia Yi Hsien, Taiwan

[\*\*] **Term: 14 Years**

*Primary Examiner*—Louis S Zarfaz  
*Assistant Examiner*—Catherine R. Oliver  
*Attorney, Agent, or Firm*—Rosenberg, Klein & Lee

[21] **Appl. No.: 29/120,732**

[57] **CLAIM**

[22] **Filed: Mar. 27, 2000**

The ornamental design for sunshade (I), as shown and described.

[51] **LOC (7) Cl. .... 03-03**

**DESCRIPTION**

[52] **U.S. Cl. .... D3/6**

[58] **Field of Search** ..... D3/5, 6, 10, 13, D3/14; 135/15.1, 16, 20.3, 21, 28, 33.2; 248/530, 532, 533, 540, 548, 156

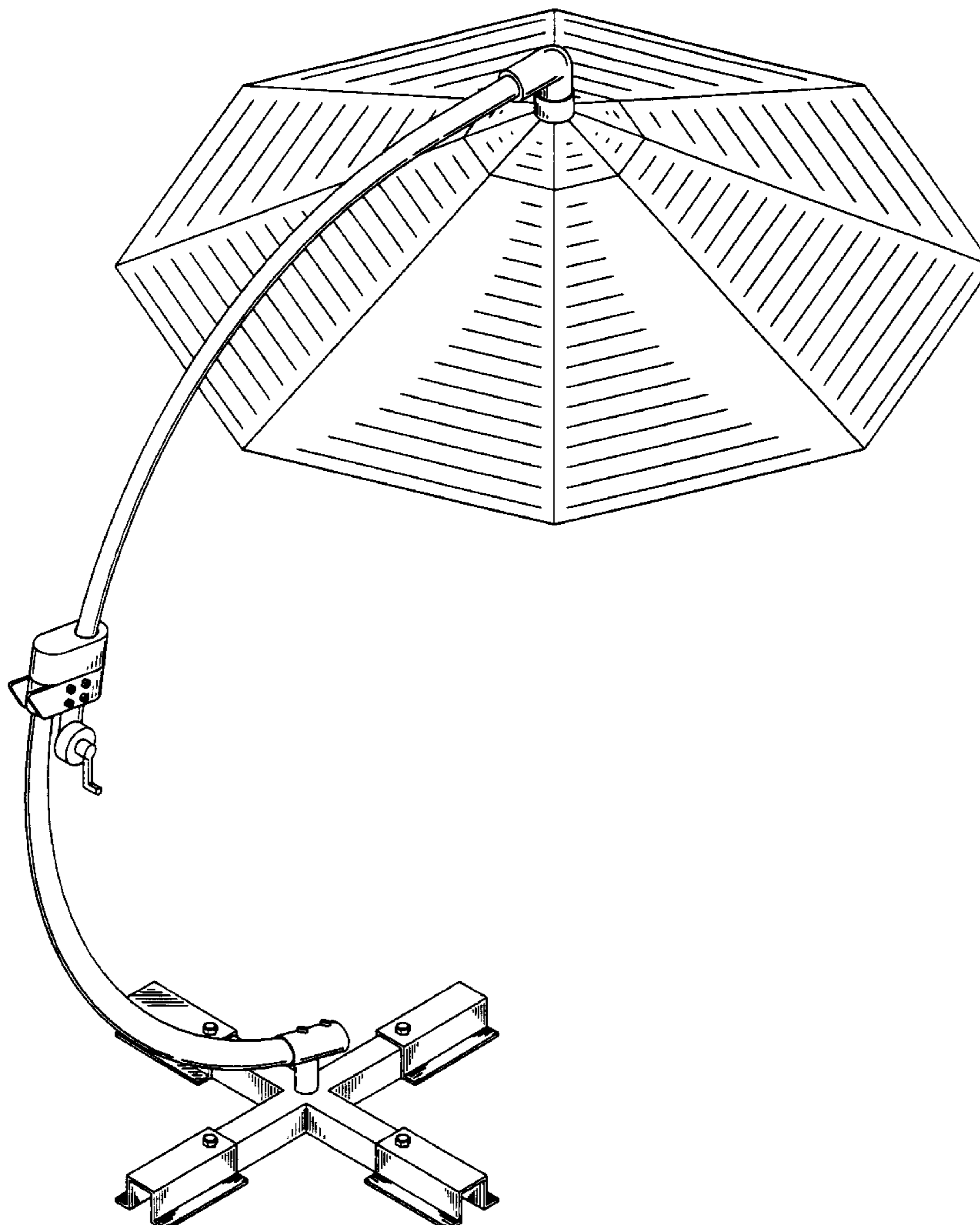
FIG. 1 is a perspective view of sunshade (I) showing my new design;  
FIG. 2 is a front elevation view thereof;  
FIG. 3 is a rear elevation view thereof;  
FIG. 4 is a left side elevation view thereof;  
FIG. 5 is a right side elevation view thereof;  
FIG. 6 is a top plan view thereof; and,  
FIG. 7 is a bottom plan view thereof.

[56] **References Cited**

**U.S. PATENT DOCUMENTS**

200,945 3/1878 Smith ..... 135/21  
D. 371,902 7/1996 Lee ..... D3/5  
D. 398,443 9/1998 Bolle ..... D3/5

**1 Claim, 7 Drawing Sheets**



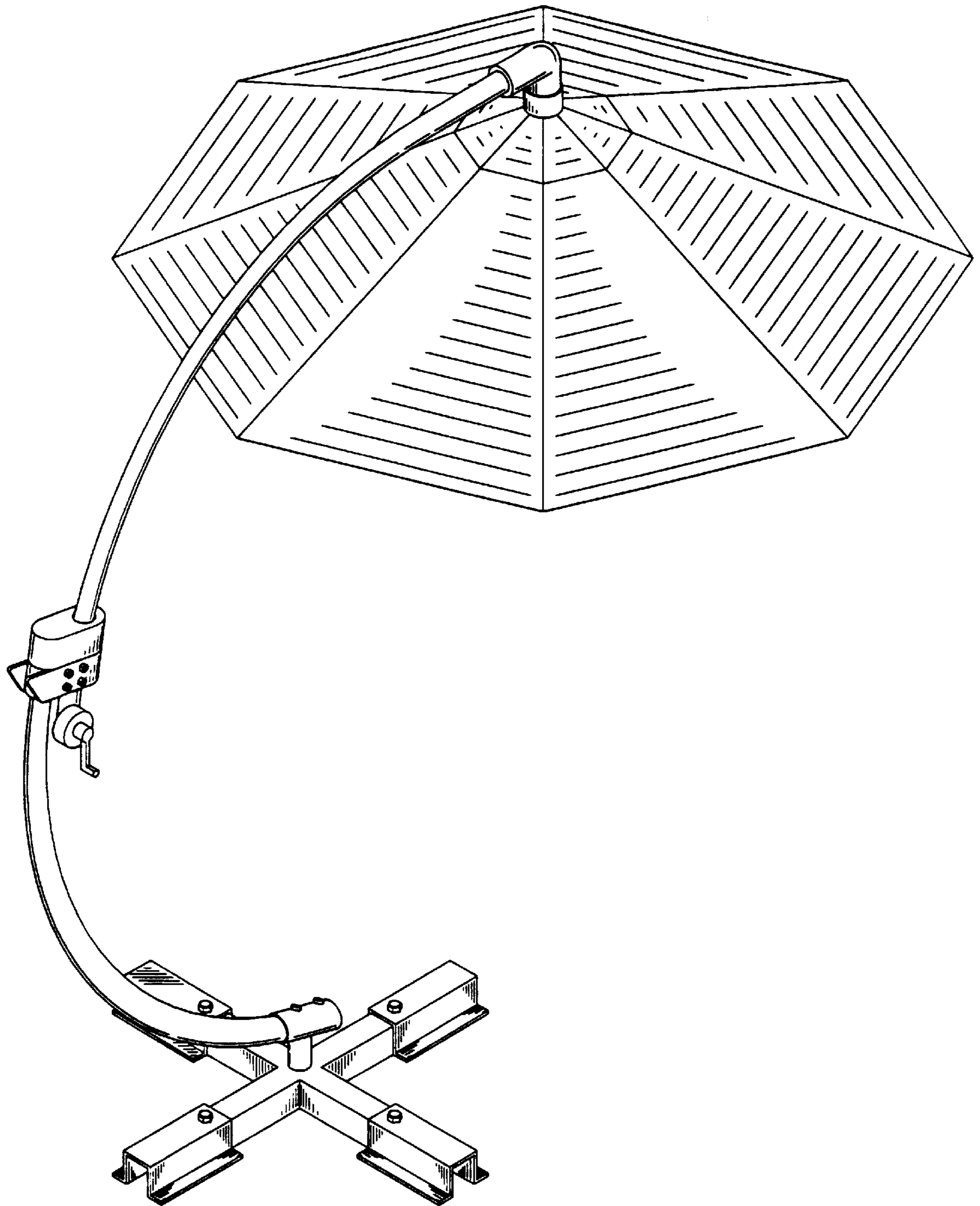


FIG. 1

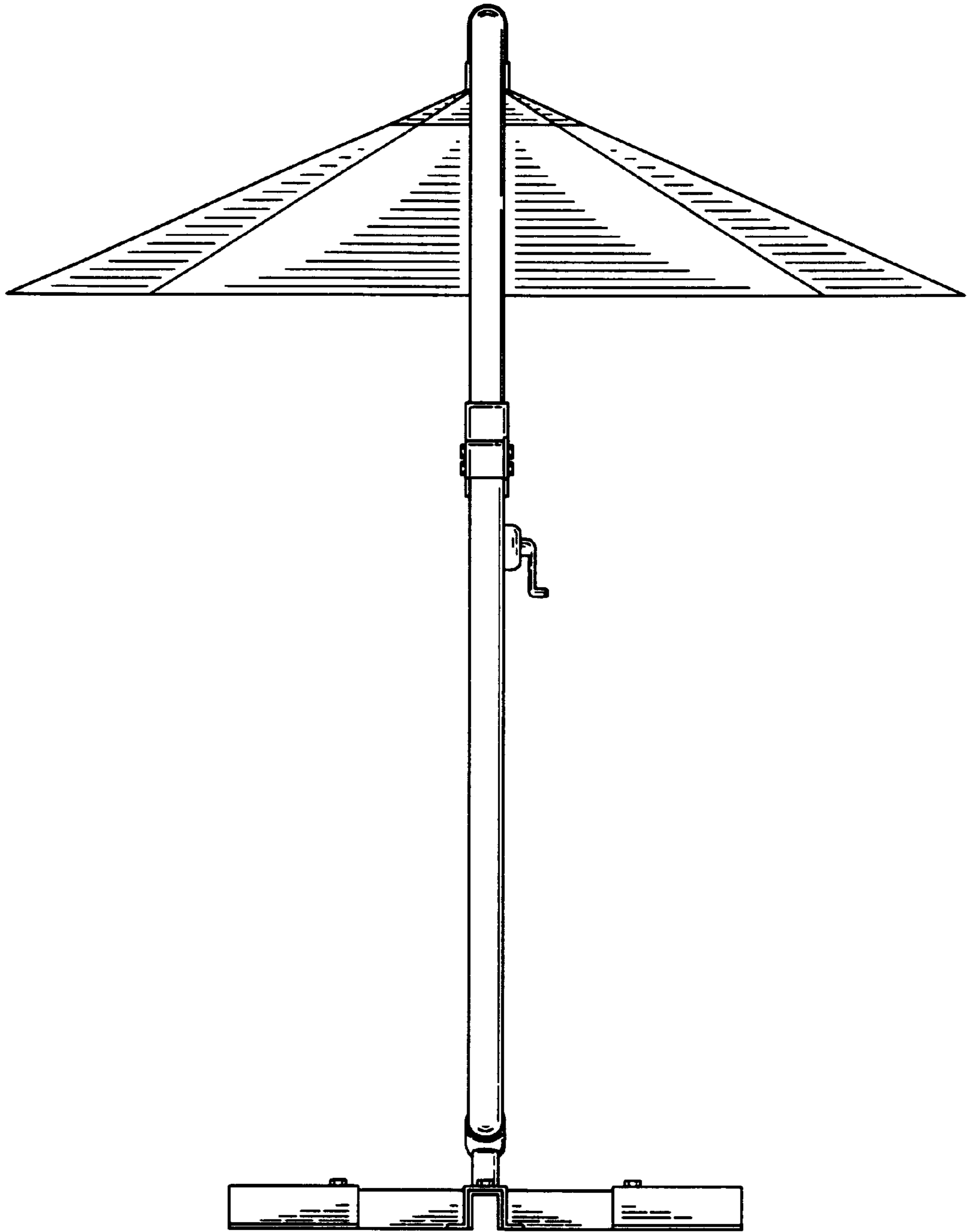


FIG.2

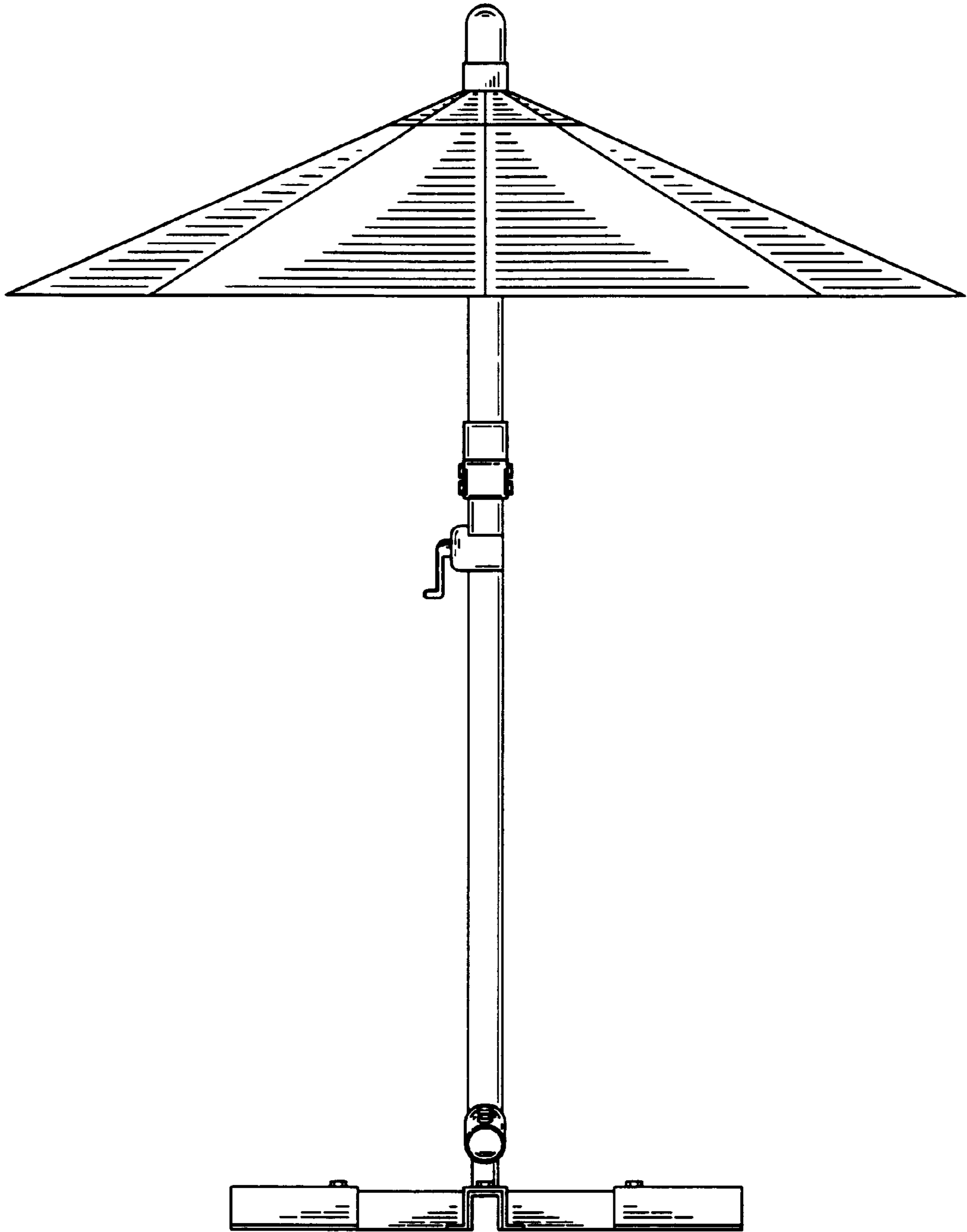


FIG. 3

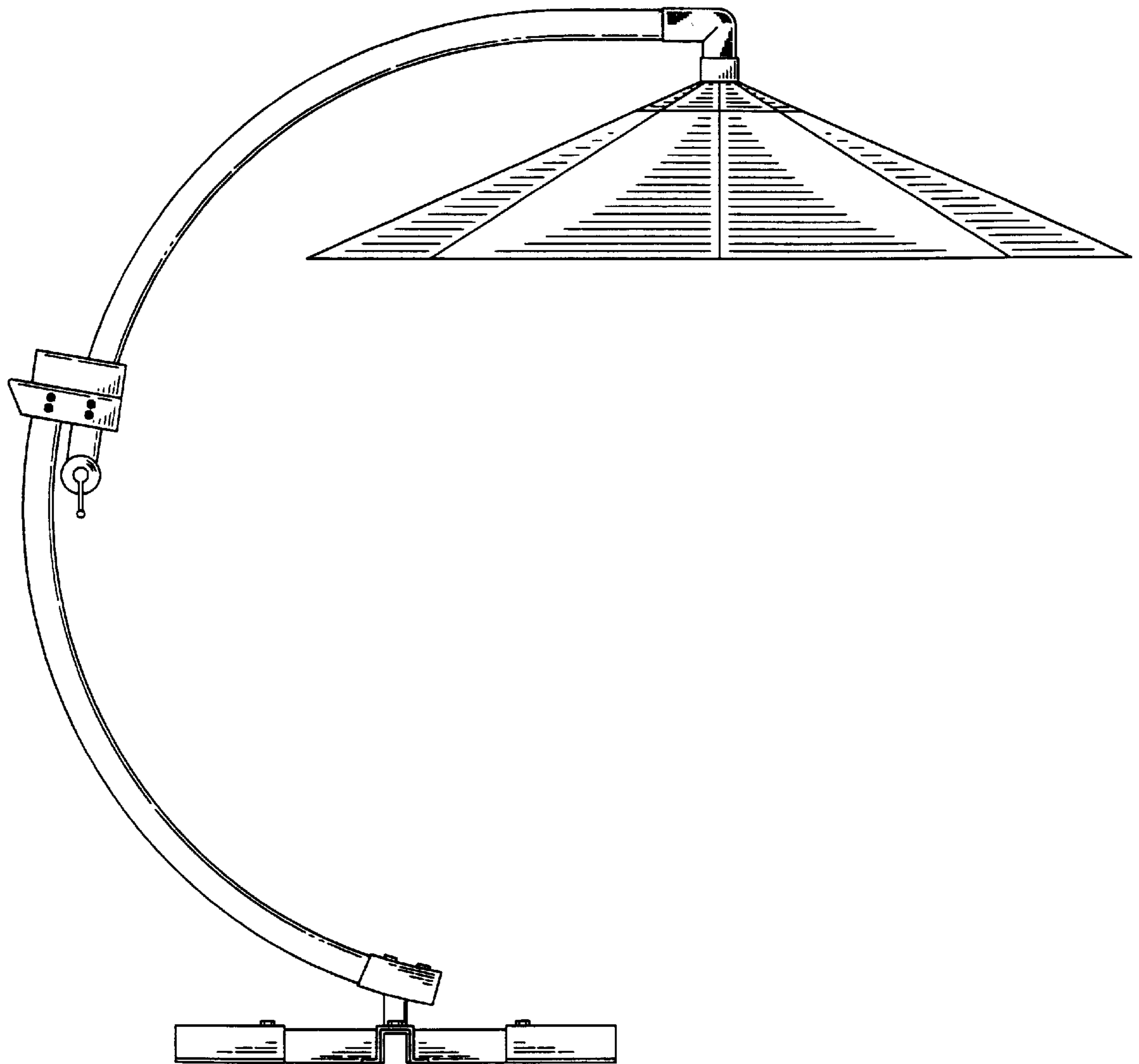


FIG.4

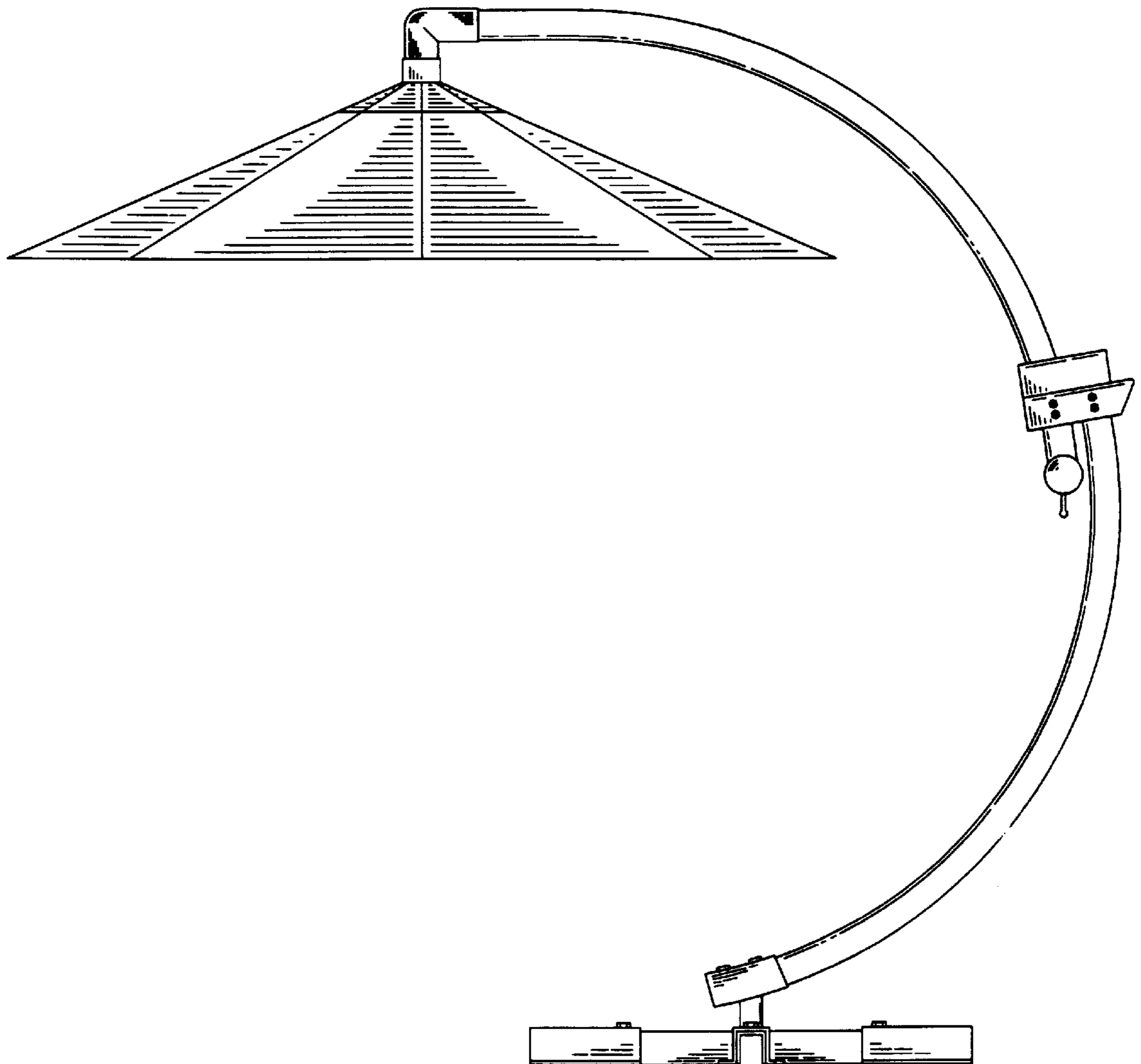


FIG.5

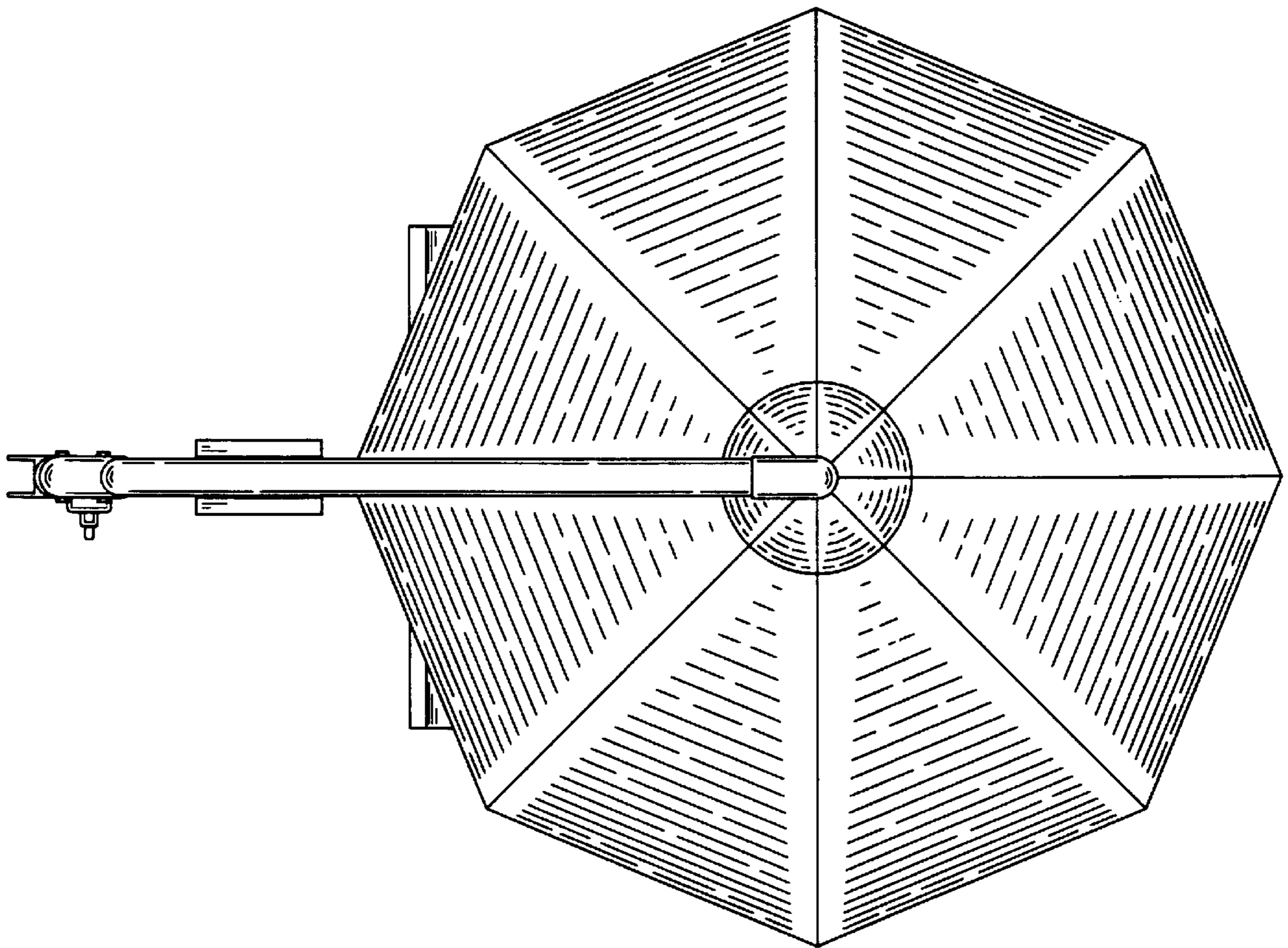


FIG.6

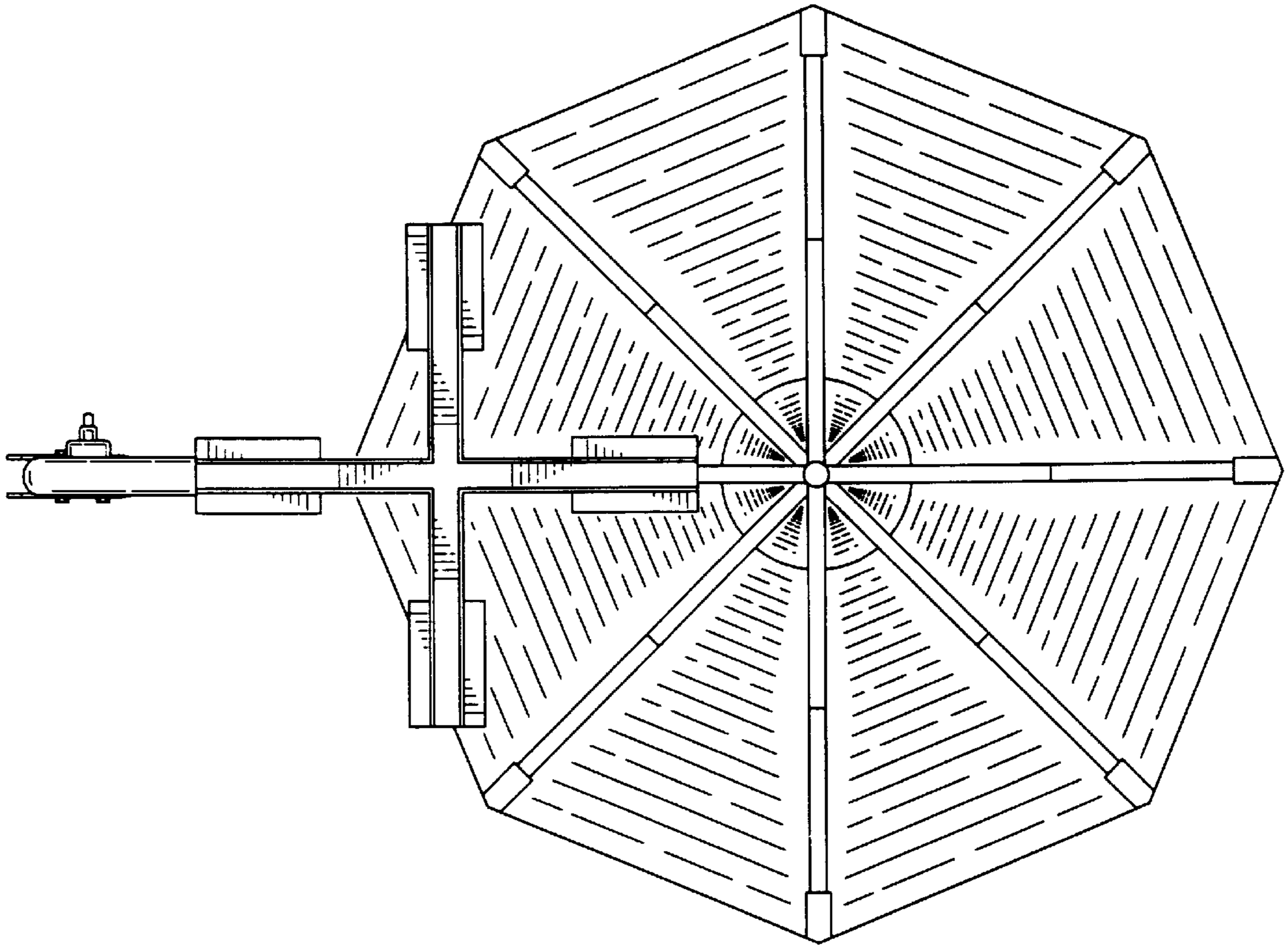


FIG.7