



US00D434542S

United States Patent [19] Wickstead

[11] **Patent Number: Des. 434,542**

[45] **Date of Patent: ** Nov. 28, 2000**

[54] **RAMP ASSEMBLY**

5,118,081 6/1992 Edelman 254/88
5,938,397 8/1999 Schouest 414/537

[75] Inventor: **James C. Wickstead**, Mendham, N.J.

[73] Assignee: **Highland Group Industries**, Solon, Ohio

[**] Term: **14 Years**

Primary Examiner—Cynthia E Ramirez
Attorney, Agent, or Firm—Calfee, Halter & Griswold LLP

[21] Appl. No.: **29/113,199**

[57] **CLAIM**

The ornamental design for a ramp assembly, as shown and described.

[22] Filed: **Nov. 1, 1999**

DESCRIPTION

[51] **LOC (7) Cl.** **12-05**

[52] **U.S. Cl.** **D34/32**

[58] **Field of Search** D34/32, 35, 28;
414/537, 228; 254/88; D12/154

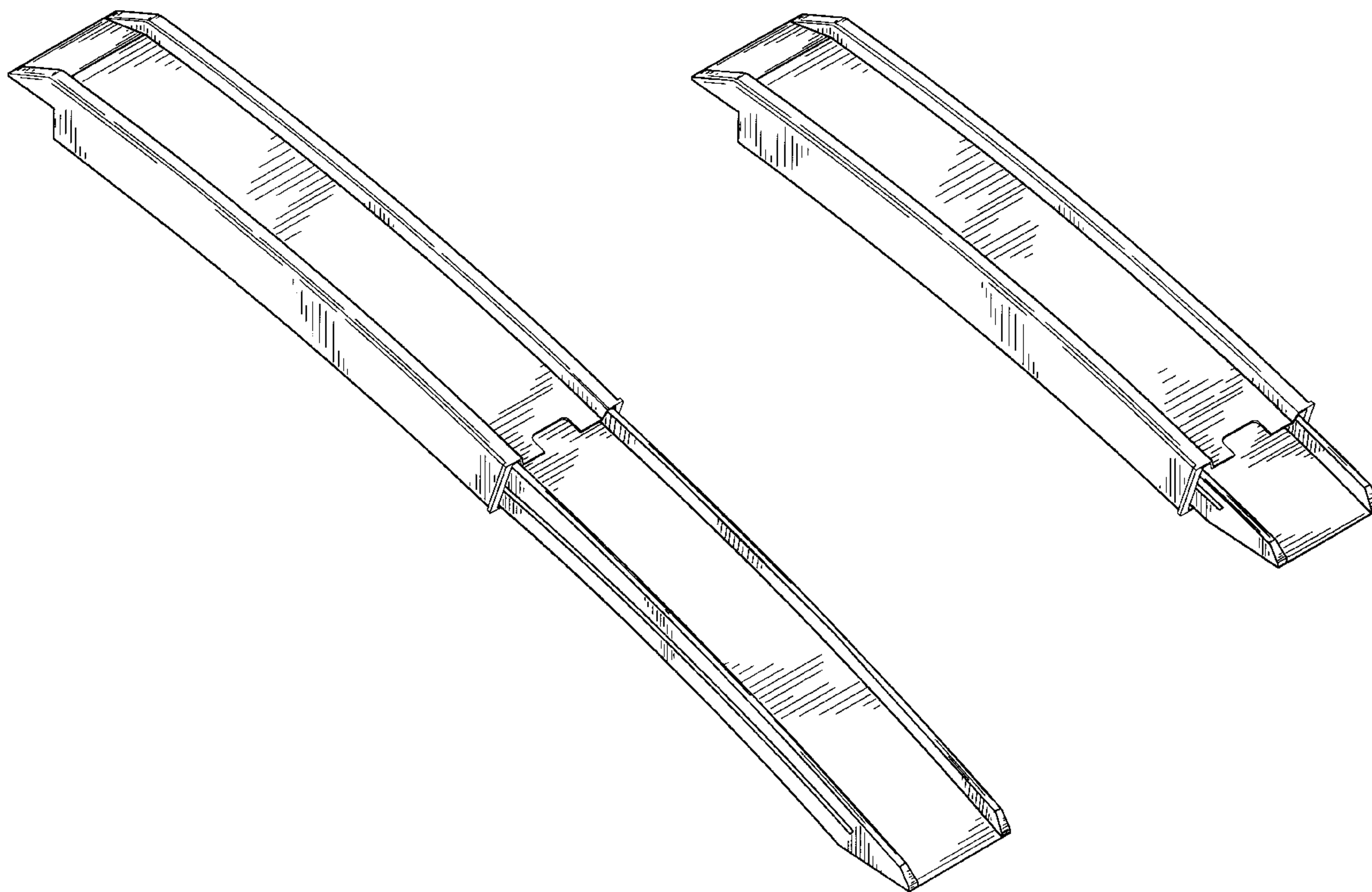
FIG. 1 is a perspective view of the ramp assembly of the present invention in an extended state;
FIG. 2 is a perspective view of the ramp assembly of the present invention in a retracted state;
FIG. 3 is a side elevation view of the ramp assembly of the present invention;
FIG. 4 is a top view of the ramp assembly of the present invention;
FIG. 5 is a bottom view of the ramp assembly of the present invention;
FIG. 6 is an end view of the ramp assembly of the present invention; and,
FIG. 7 is an end view of the ramp assembly of the present invention.

[56] **References Cited**

U.S. PATENT DOCUMENTS

D. 311,798	10/1990	Boots et al.	D34/32
D. 348,552	7/1994	Woodward et al.	D34/32
D. 373,885	9/1996	Holland, Jr.	D34/32
D. 428,231	7/2000	Collins	D34/32
1,650,182	11/1927	Brochu	254/88
2,279,464	4/1942	Jackson	414/537
4,120,485	10/1978	McConnell	254/88
5,001,798	3/1991	Hamilton	254/88

1 Claim, 3 Drawing Sheets



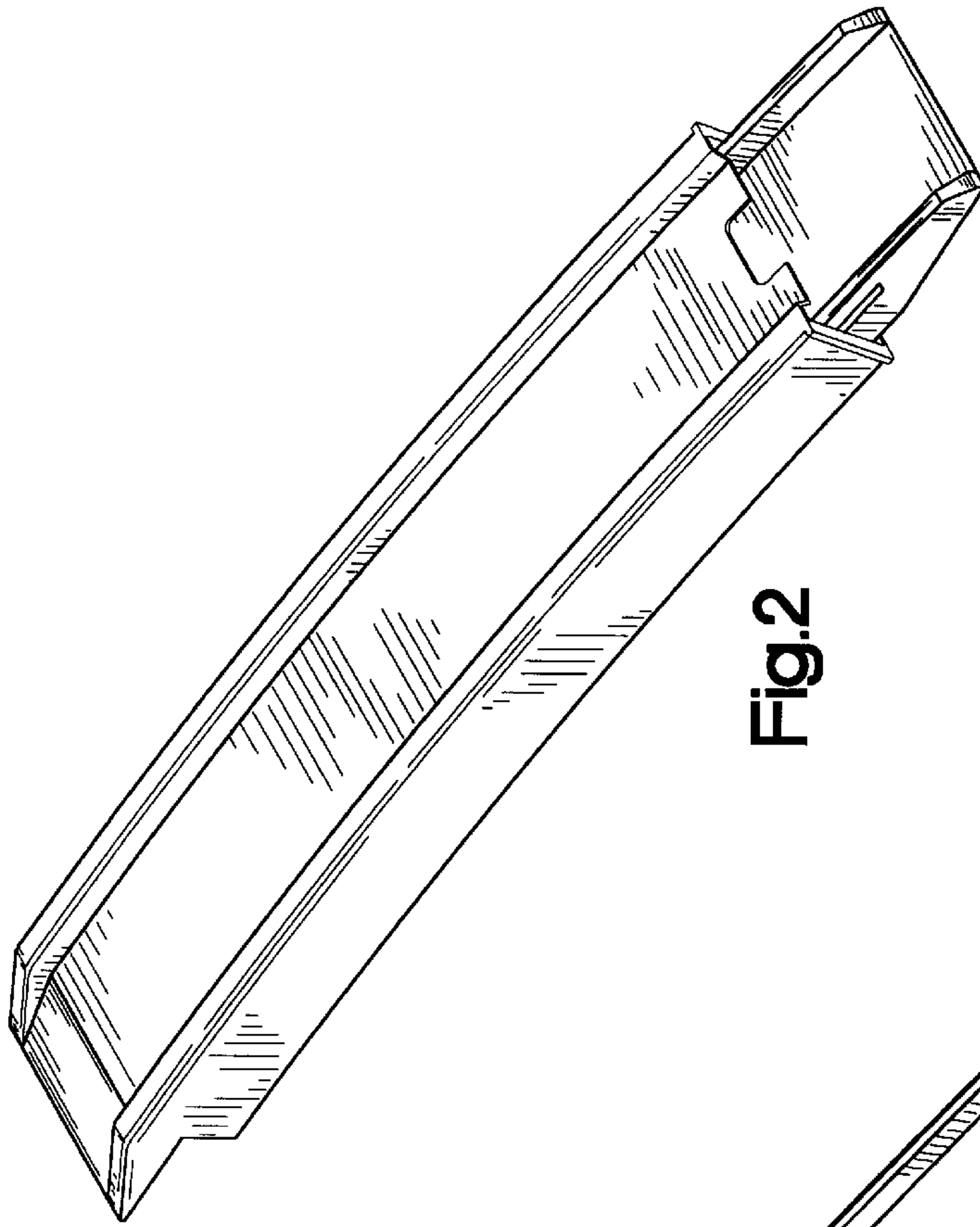


Fig.2

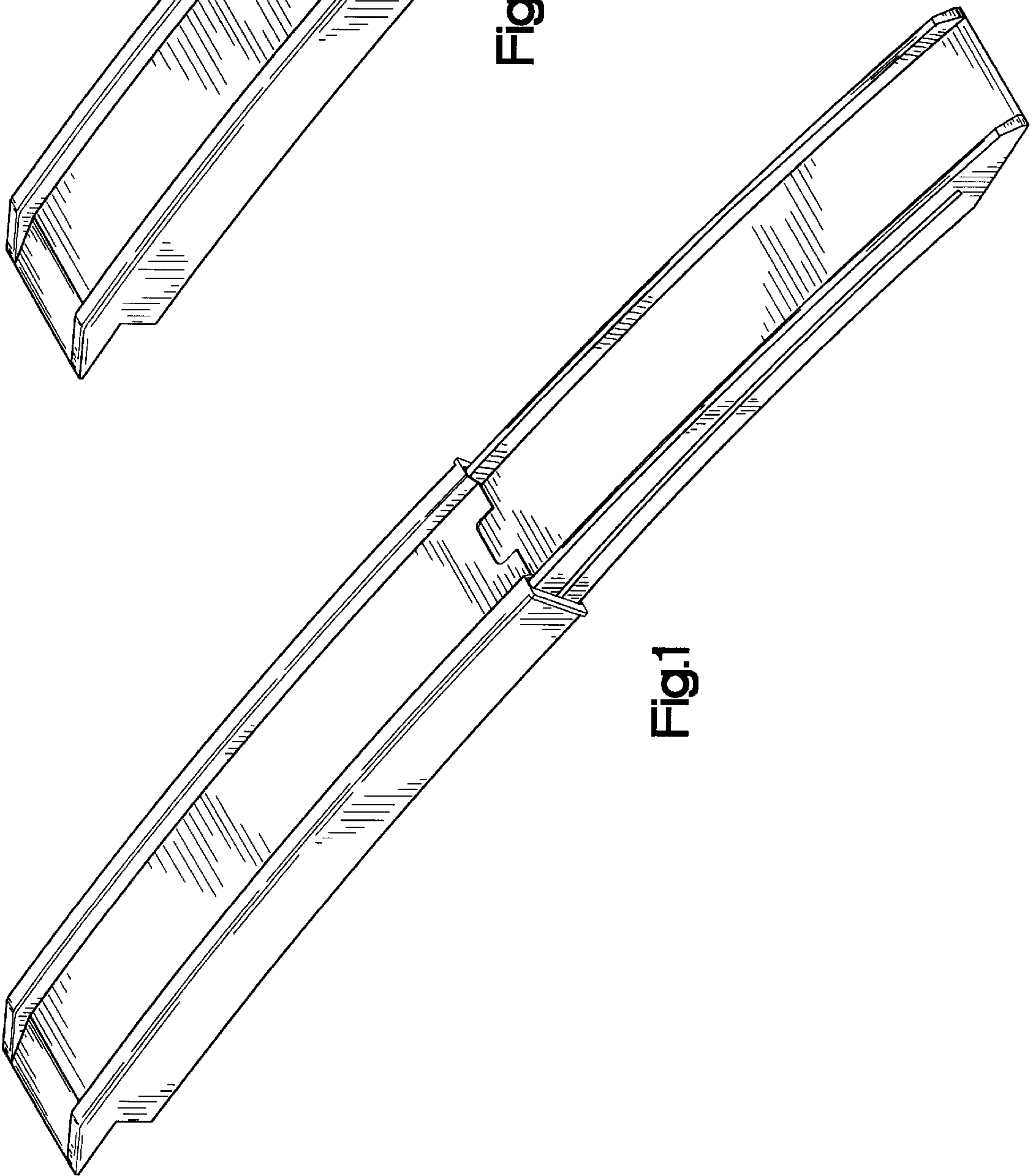


Fig.1

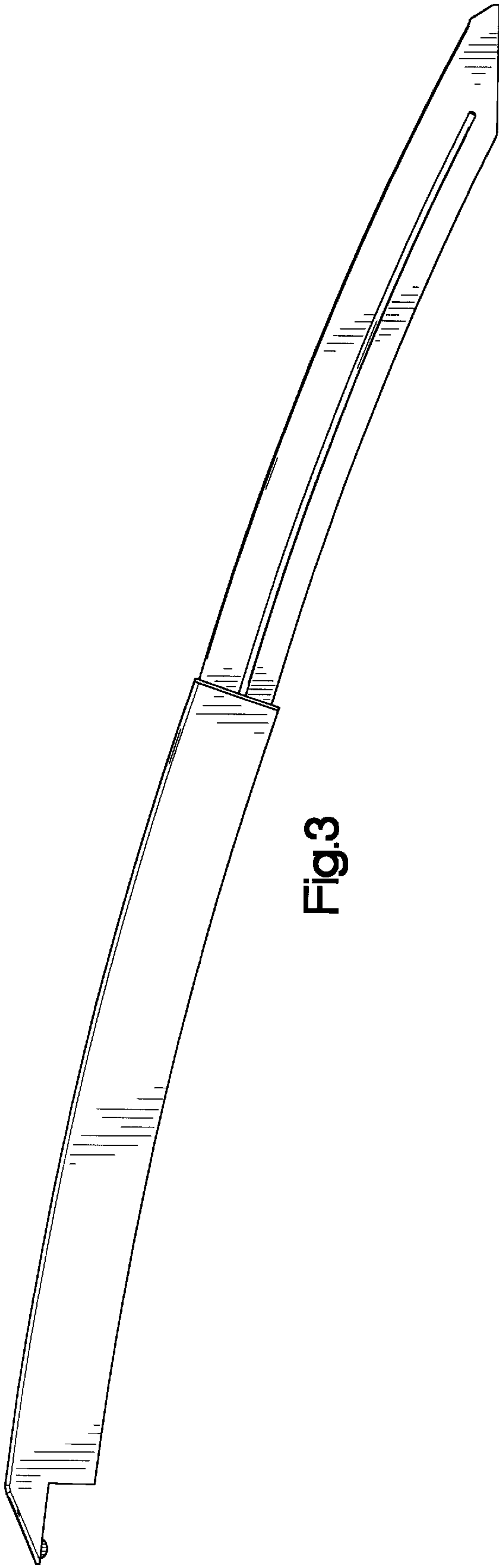


Fig.3

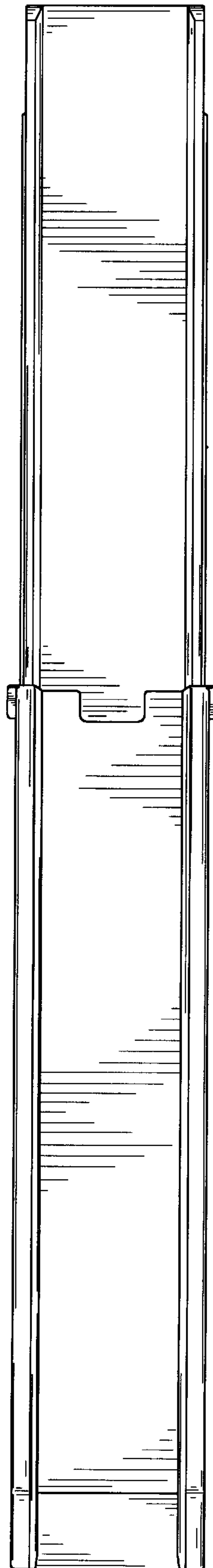


Fig.4

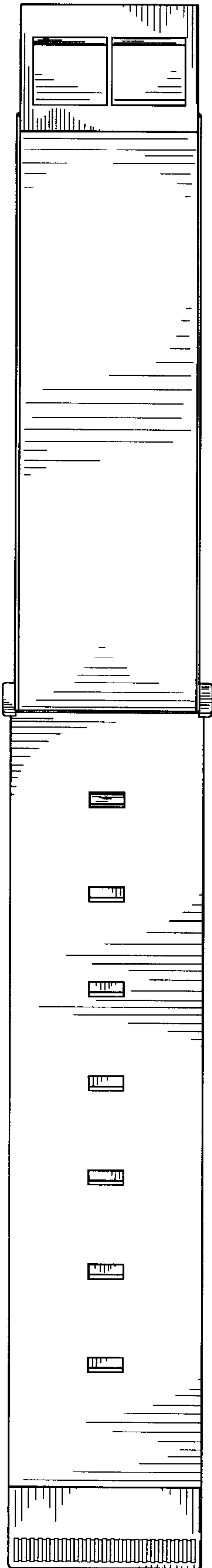


Fig.5

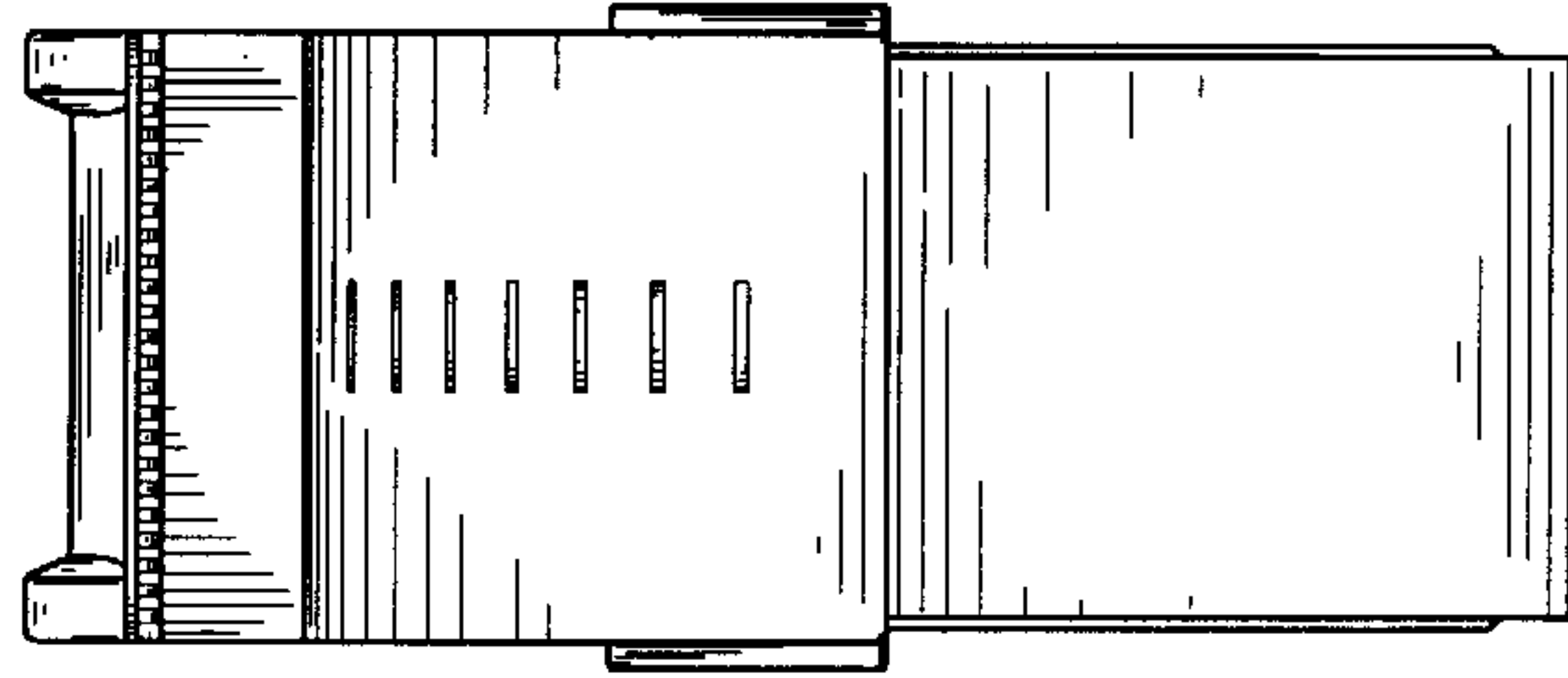


Fig.7

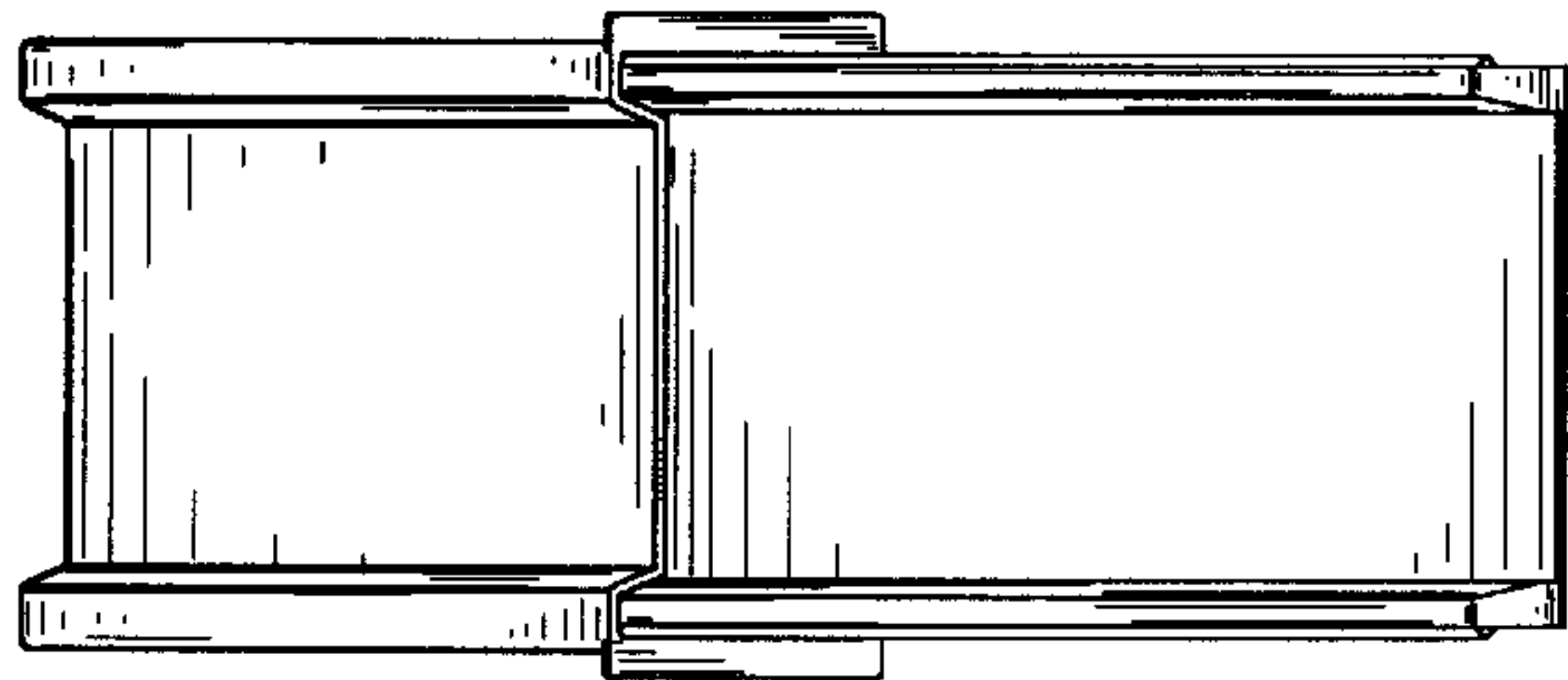


Fig.6