



US00D434541S

# United States Patent [19] Black

[11] **Patent Number: Des. 434,541**

[45] **Date of Patent: \*\* Nov. 28, 2000**

[54] **COMBINED IRONING BOARD AND CANISTER HOLDER**

5,472,157 12/1995 Lehrman ..... 38/104  
5,926,984 7/1999 Zuber ..... 38/107

[76] Inventor: **Harriet R Black**, 1482 S. Crescent Hgts Blvd., Los Angeles, Calif. 90035

*Primary Examiner*—Cynthia E Ramirez

[\*\*] Term: **14 Years**

[57] **CLAIM**

The ornamental design for a combined ironing board and canister holder, as shown and described.

[21] Appl. No.: **29/121,068**

### DESCRIPTION

[22] Filed: **Mar. 31, 2000**

[51] **LOC (7) Cl.** ..... **07-05**

[52] **U.S. Cl.** ..... **D32/66**

[58] **Field of Search** ..... D32/66, 71; 38/103, 38/104, 106, 109, 112, 140, 142; 248/117.1, 117.2, 117.3, 117.4, 117.5, 117.6, 117.7

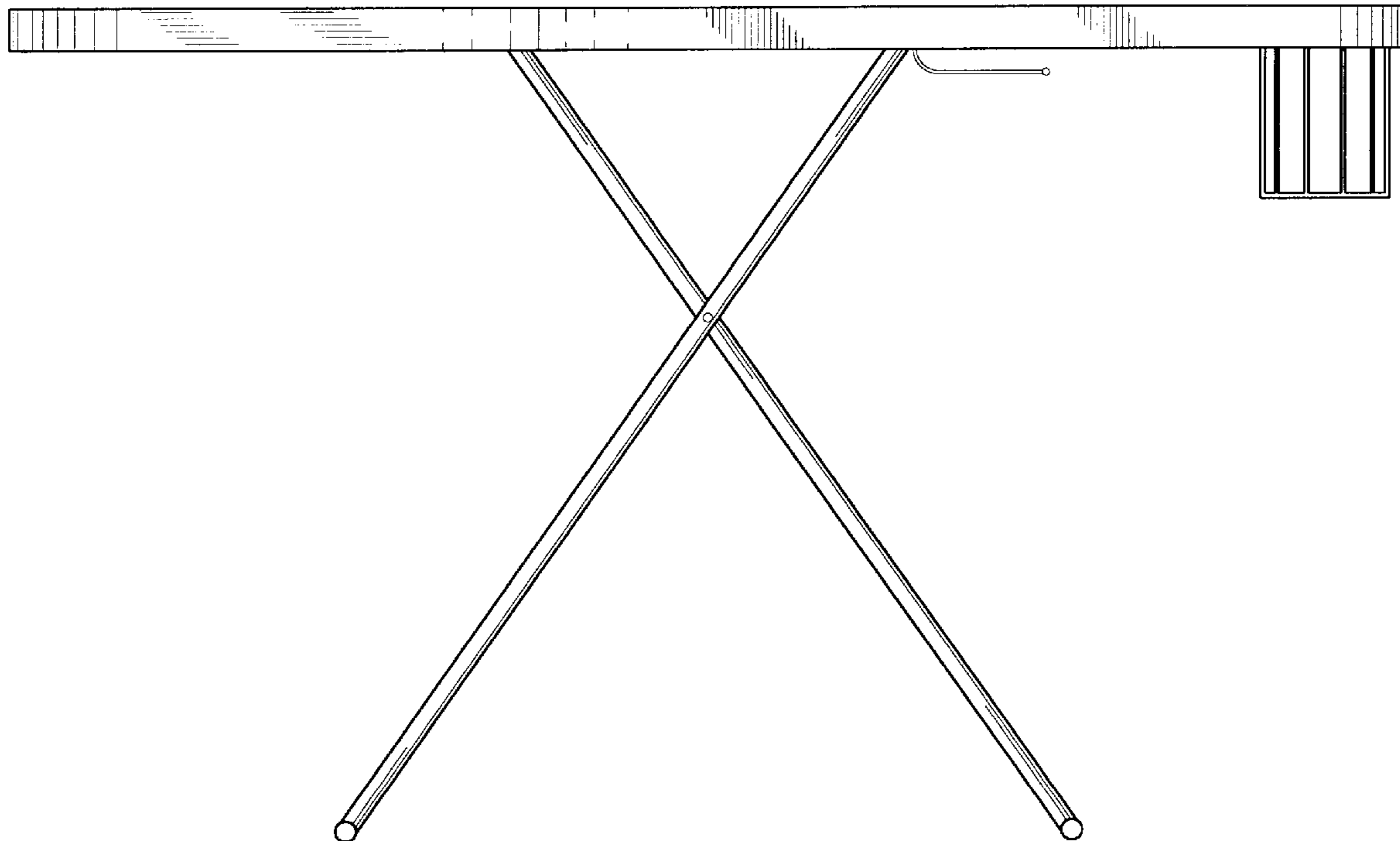
FIG. 1 is a front elevational view of the combined ironing board and canister holder of the present invention;  
FIG. 2 is a rear elevational view of the combined ironing board and canister holder of FIG. 1;  
FIG. 3 is a left side elevational view of the combined ironing board and canister holder of FIG. 1;  
FIG. 4 is a right side elevational view of the combined ironing board and canister holder of FIG. 1;  
FIG. 5 is a top plan view of the combined ironing board and canister holder of FIG. 1; and,  
FIG. 6 is a bottom plan view of the combined ironing board and canister holder of FIG. 1.

### [56] **References Cited**

#### U.S. PATENT DOCUMENTS

D. 373,869	9/1996	Stutzer et al.	.....	D32/66
D. 426,040	5/2000	Wicky	.....	D32/66
1,082,838	12/1913	Wood	.....	248/117.1
5,379,536	1/1995	Lorenzana	.....	38/106
5,433,034	7/1995	Bernstein	.....	D8/108

**1 Claim, 3 Drawing Sheets**



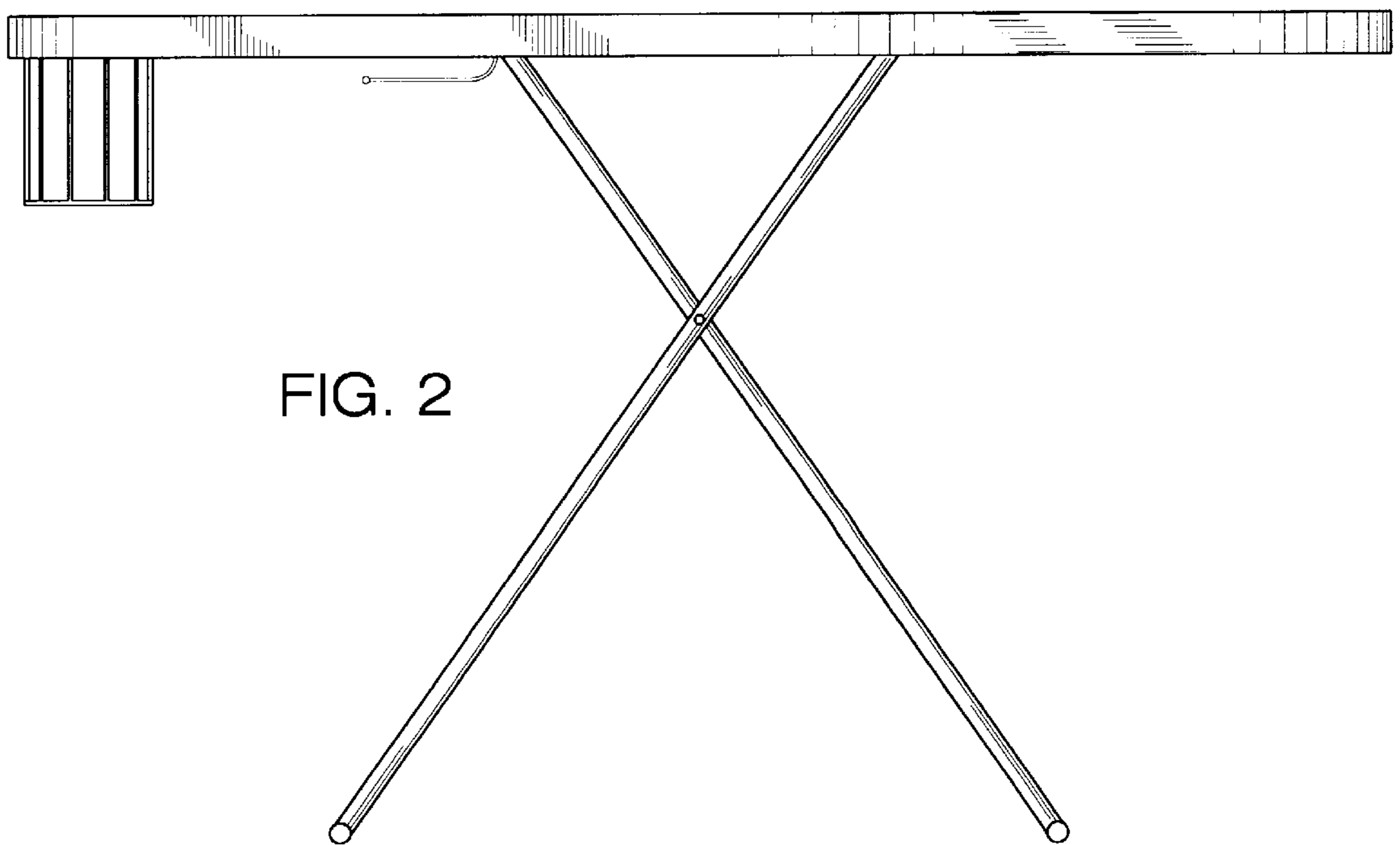
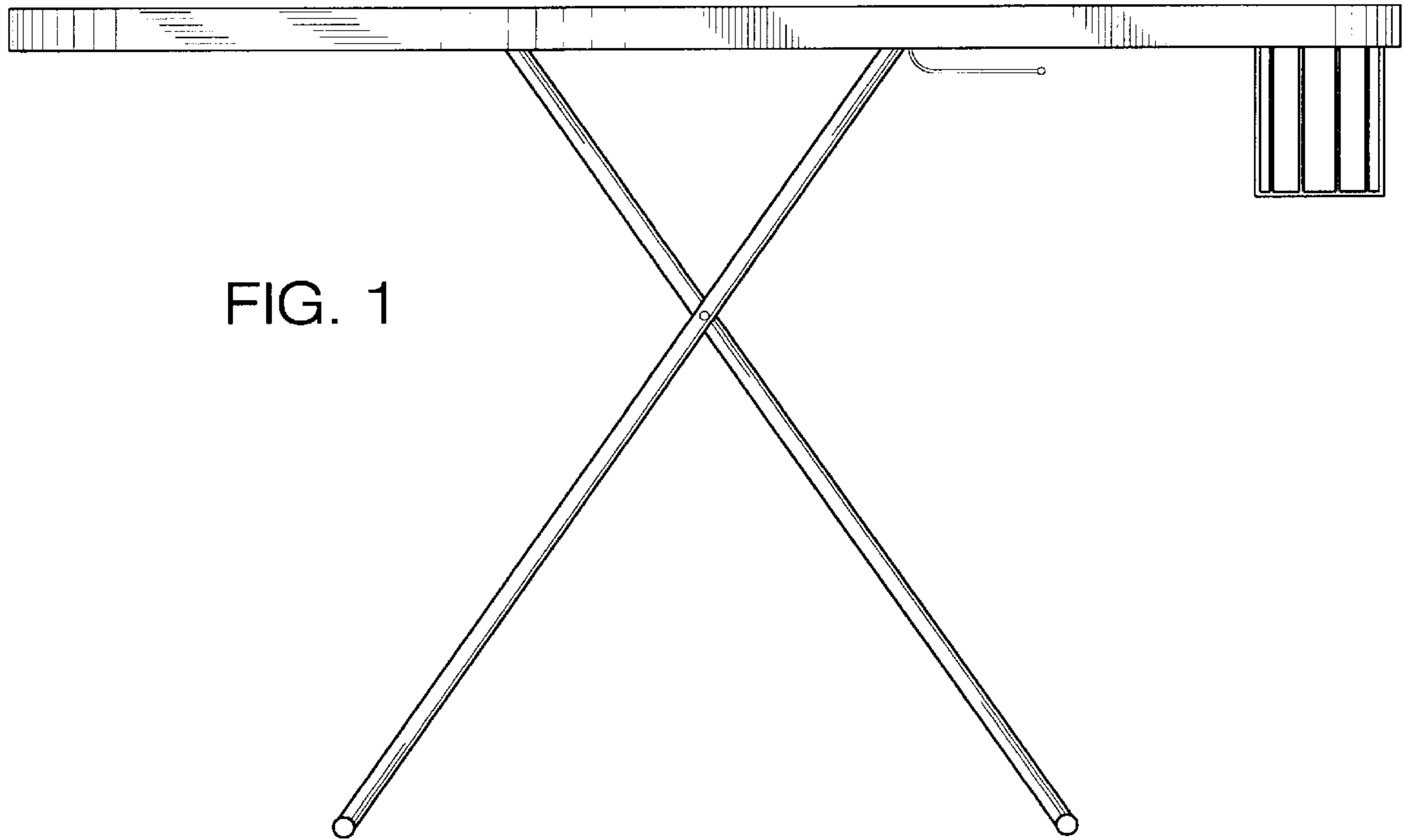


FIG. 3

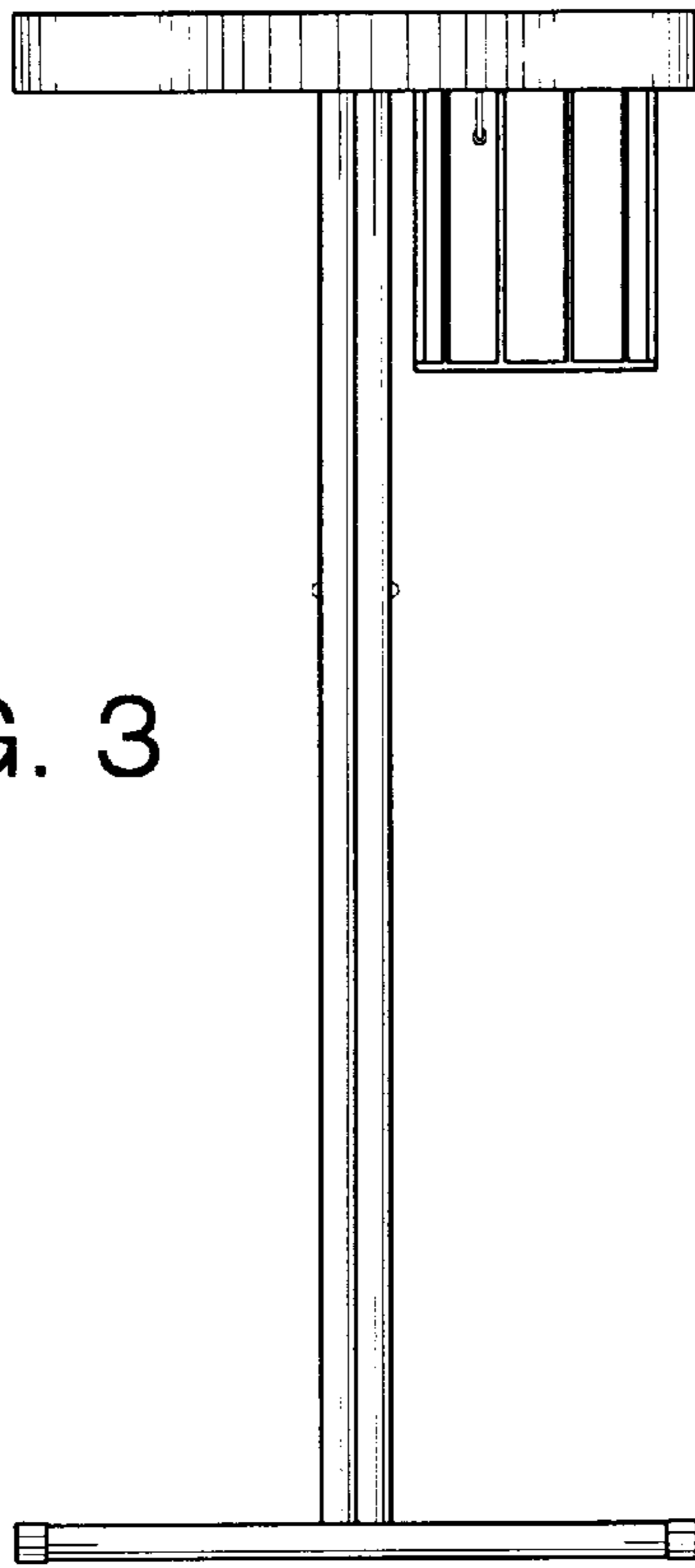


FIG. 4

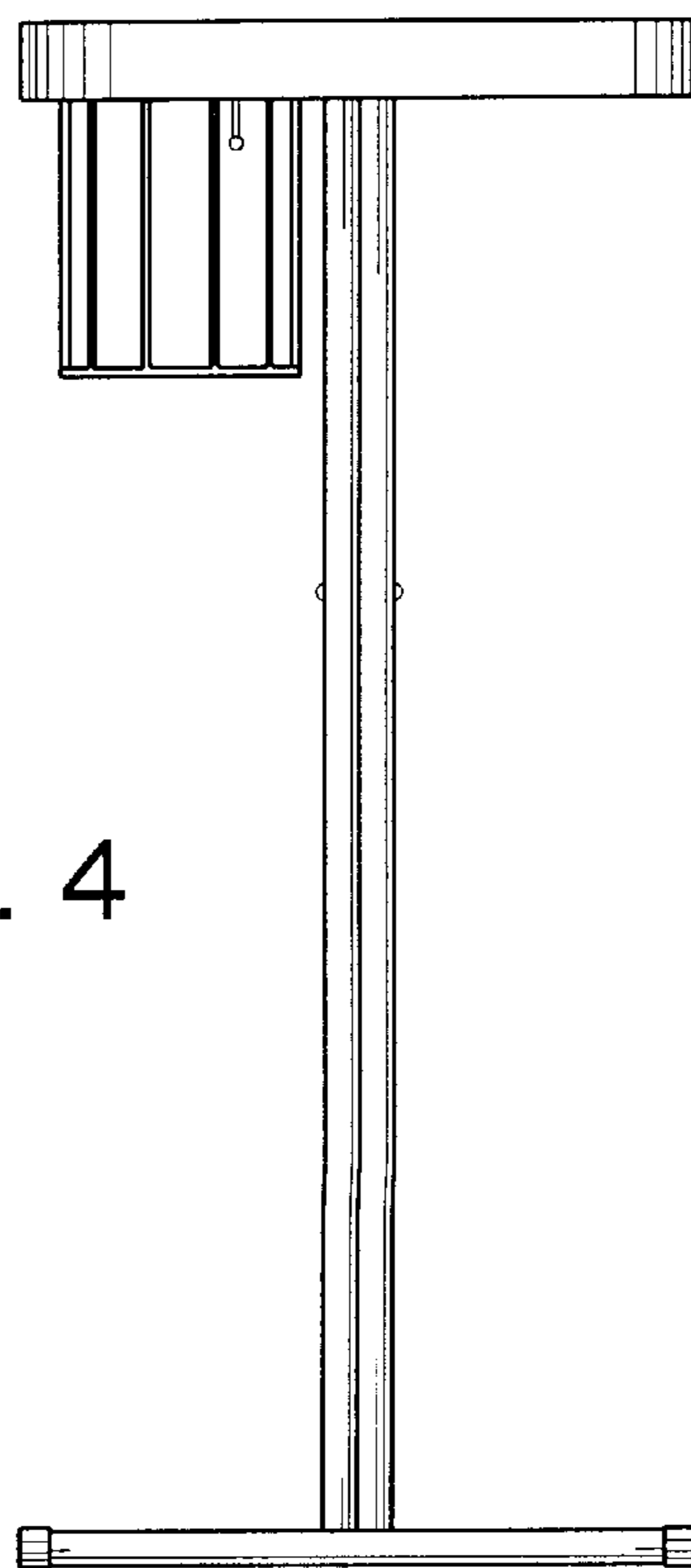


FIG. 5

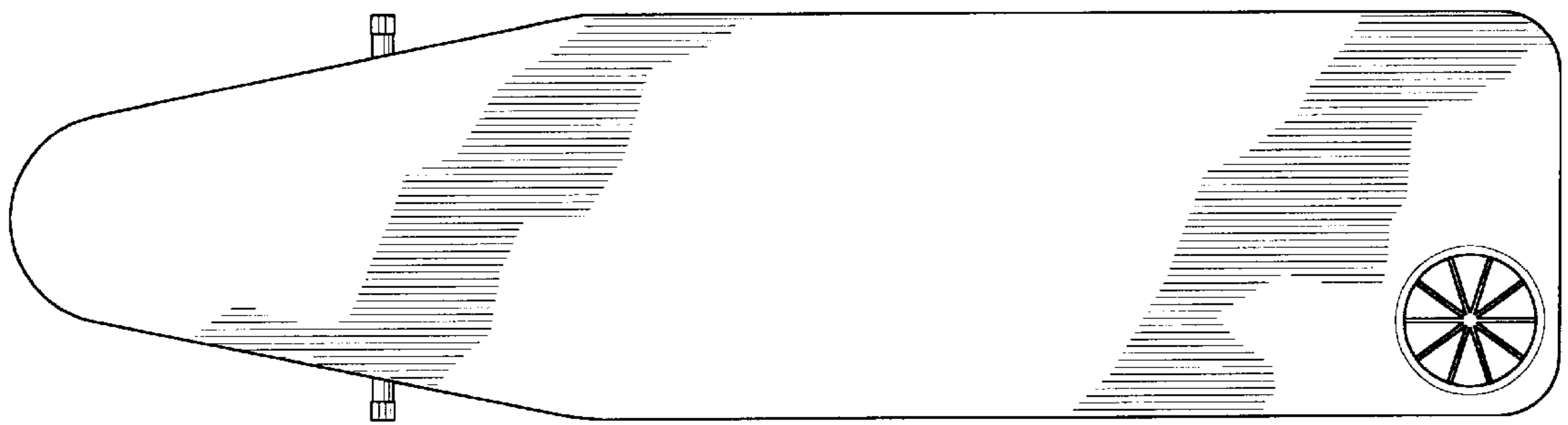


FIG. 6

