



US00D434539S

United States Patent [19]
Brodbeck

[11] **Patent Number: Des. 434,539**

[45] **Date of Patent: ** Nov. 28, 2000**

[54] **ICE SCRAPING COMB**

[76] Inventor: **Robert M. Brodbeck**, 5789 S. Curtice St., Littleton, Colo. 80120

[**] Term: **14 Years**

[21] Appl. No.: **29/103,454**

[22] Filed: **Apr. 14, 1999**

[51] **LOC (7) Cl.** **07-05**

[52] **U.S. Cl.** **D32/42; D28/25**

[58] **Field of Search** D4/117; D32/40, D32/42, 43, 46; 15/236.01, 236.02, 236.05, 236.06, 236.08, 105; D28/21, 25; 132/148, 149, 219

[56] **References Cited**

U.S. PATENT DOCUMENTS

D. 174,801 5/1955 Davidson D28/25
2,164,105 6/1939 Brown 132/149

2,245,469 6/1941 Ecklund et al. 15/236.01 X
4,747,175 5/1988 Durgin 15/105
5,272,782 12/1993 Hutt 15/105
5,860,430 1/1999 Thorsheim 132/148

Primary Examiner—M. H. Tung
Assistant Examiner—Lavone Tabor

[57] **CLAIM**

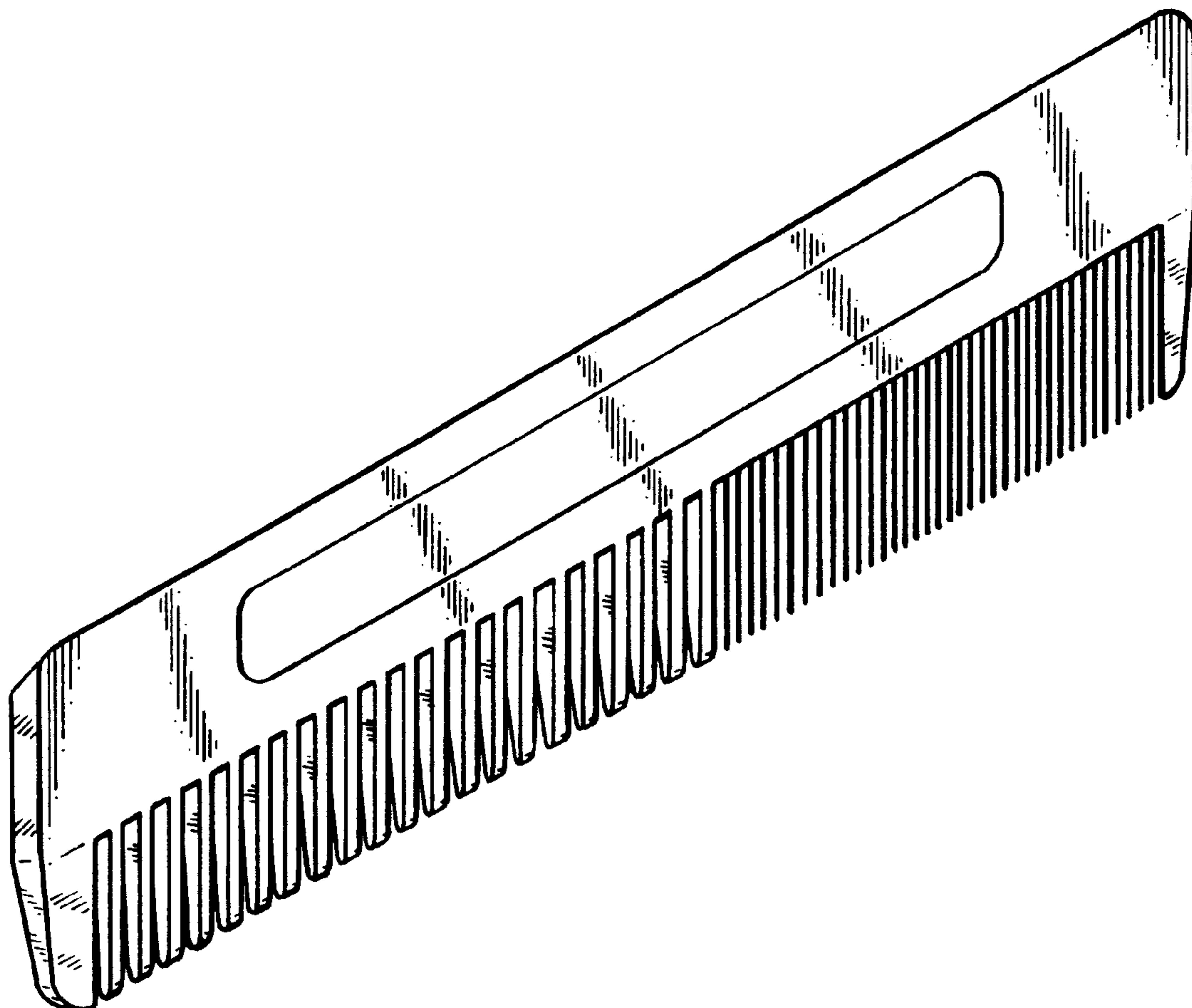
An ornamental design for an ice scraping comb, as shown.

DESCRIPTION

FIG. 1 is a front perspective view of the ice scraping comb of the present invention;
FIG. 2 is an end view thereof;
FIG. 3 is a top view thereof; and,
FIG. 4 is a front view thereof.

The rear, bottom and the end opposite that shown in FIG. 2 of the article neither shown in the drawing nor described in the specification form no part of the claimed design.

1 Claim, 1 Drawing Sheet



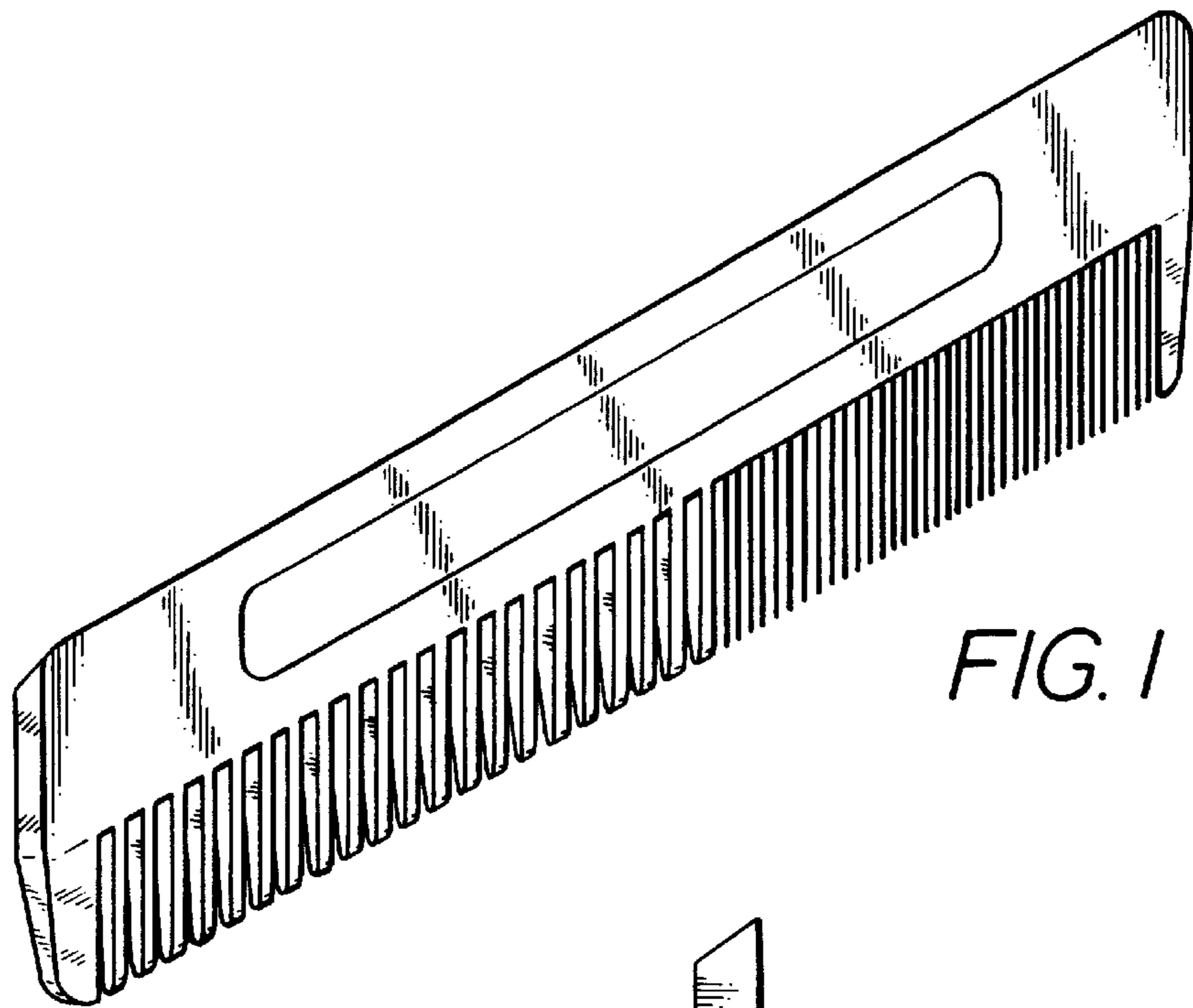


FIG. 1



FIG. 2



FIG. 3

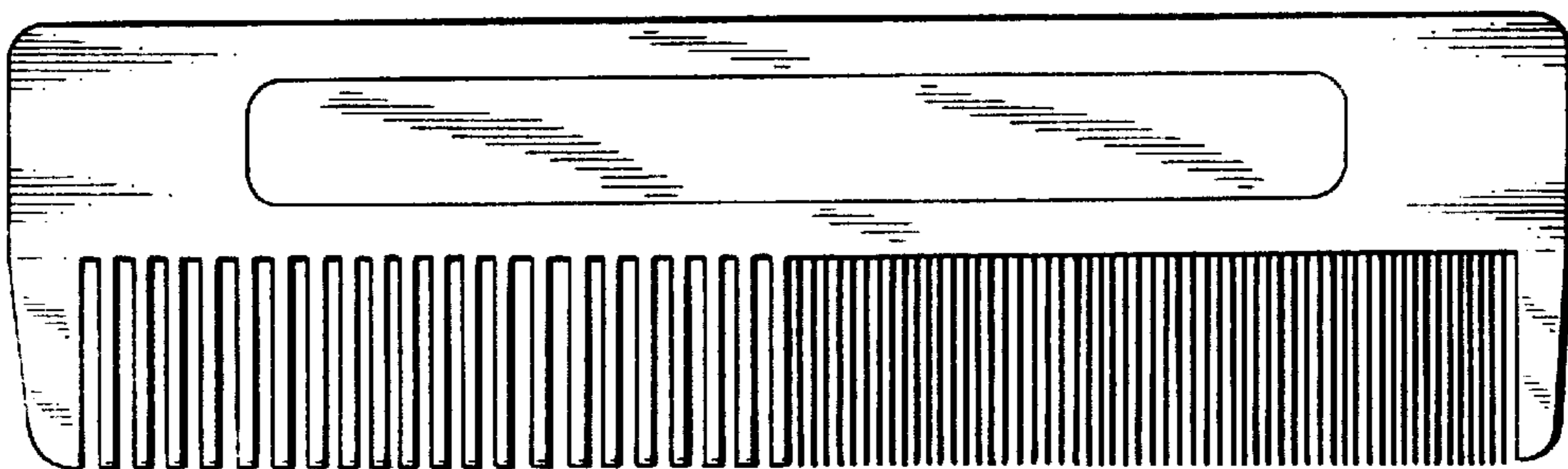


FIG. 4