



US00D434538S

United States Patent [19] Thompson

[11] Patent Number: Des. 434,538

[45] Date of Patent: ** Nov. 28, 2000

[54] HAMPER

[75] Inventor: Rick Lee Thompson, Burlington, Iowa

[73] Assignee: Burlington Basket Company,
Burlington, Iowa

[**] Term: 14 Years

[21] Appl. No.: 29/120,134

[22] Filed: Mar. 15, 2000

[51] LOC (7) Cl. 07-07

[52] U.S. Cl. D32/37; D34/6

[58] Field of Search D32/37; D34/5,
D34/6; 248/95, 97, 99, 100, 101; 220/908,
909, 910, 911

4,723,743	2/1988	Jenkins	248/97
4,915,248	4/1990	Chap	220/908 X
4,946,118	8/1990	Hastings	248/97
5,018,691	5/1991	King	248/99
5,169,101	12/1992	Wenzel et al.	248/97
5,263,672	11/1993	He	248/97
5,427,340	6/1995	Stromsmoe et al.	248/97
5,570,862	11/1996	Nugent	248/97
5,775,649	7/1998	O'leary	248/97
5,967,469	10/1999	Wade	248/100

Primary Examiner—Cynthia E Ramirez
Attorney, Agent, or Firm—Zarley, McKee, Thomte,
Voorhees & Sease

[57] CLAIM

I claim the ornamental design for a hamper, substantially as shown and described.

DESCRIPTION

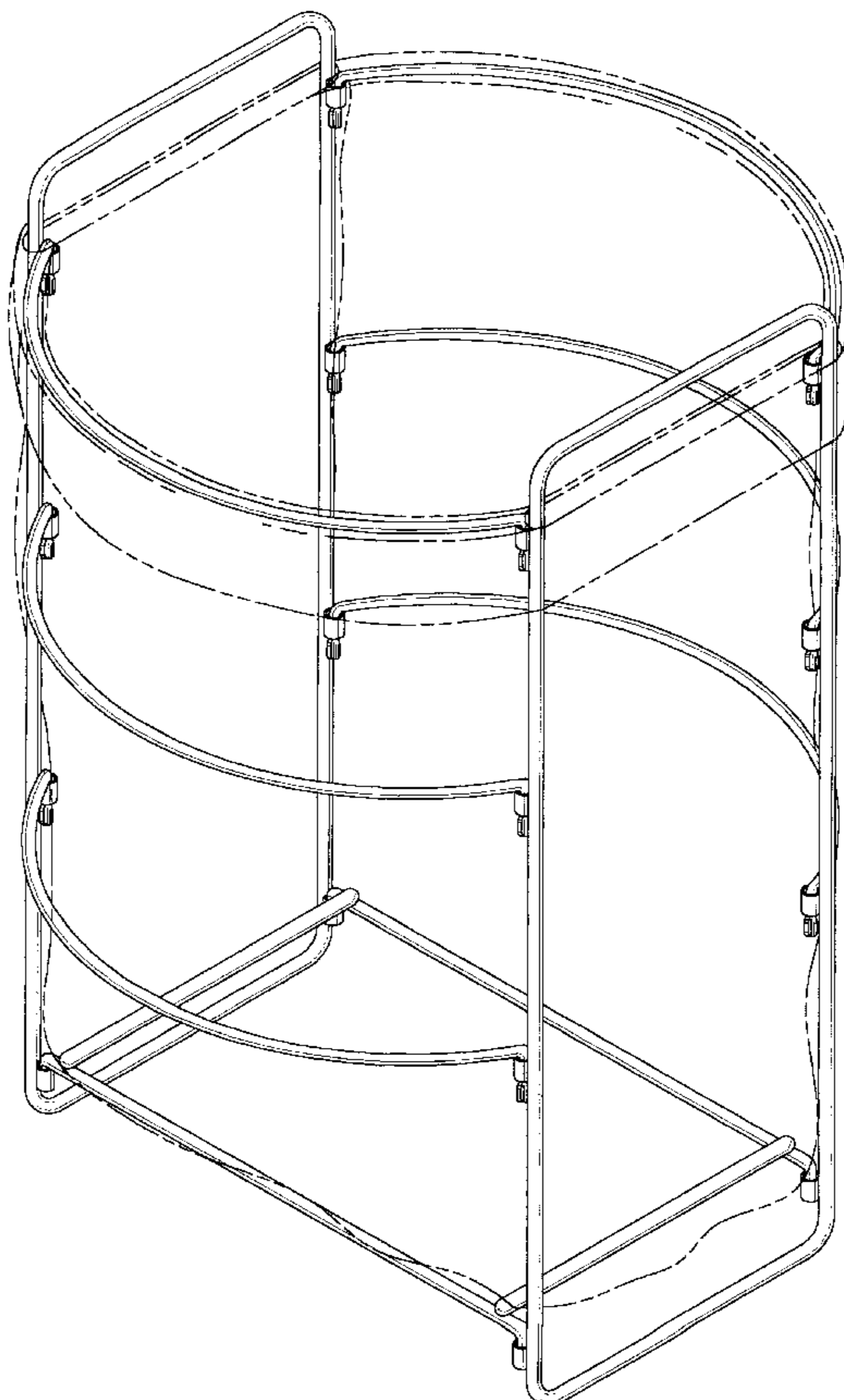
FIG. 1 is a front perspective view of a hamper showing my new design;
FIG. 2 is a front elevational view, the rear elevational being a mirror image thereof;
FIG. 3 is a right end elevational view, the left end elevational view being a mirror image thereof;
FIG. 4 is a top plan view thereof; and,
FIG. 5 is a bottom plan view thereof.
The broken line showing of a sack in FIG. 1 is a for illustrative purposes only and forms no part of the claimed design.

[56] References Cited

U.S. PATENT DOCUMENTS

D. 214,849	8/1969	Barrett	D34/6
D. 223,682	5/1972	Aldape	D34/6
D. 245,391	8/1977	Thorpe	D34/6
D. 260,596	9/1981	Vreeken	D34/6
D. 264,650	6/1982	Adamson	D34/6
D. 269,214	5/1983	Martinez, Sr.	D34/6
D. 294,994	3/1988	Burgett	D34/6
D. 308,271	5/1990	Vreeken	D34/6
3,373,963	3/1968	Snell	248/95
4,267,997	5/1981	Meier	248/97
4,498,652	2/1985	Malik	248/99
4,705,246	11/1987	Wolf	248/97

1 Claim, 4 Drawing Sheets



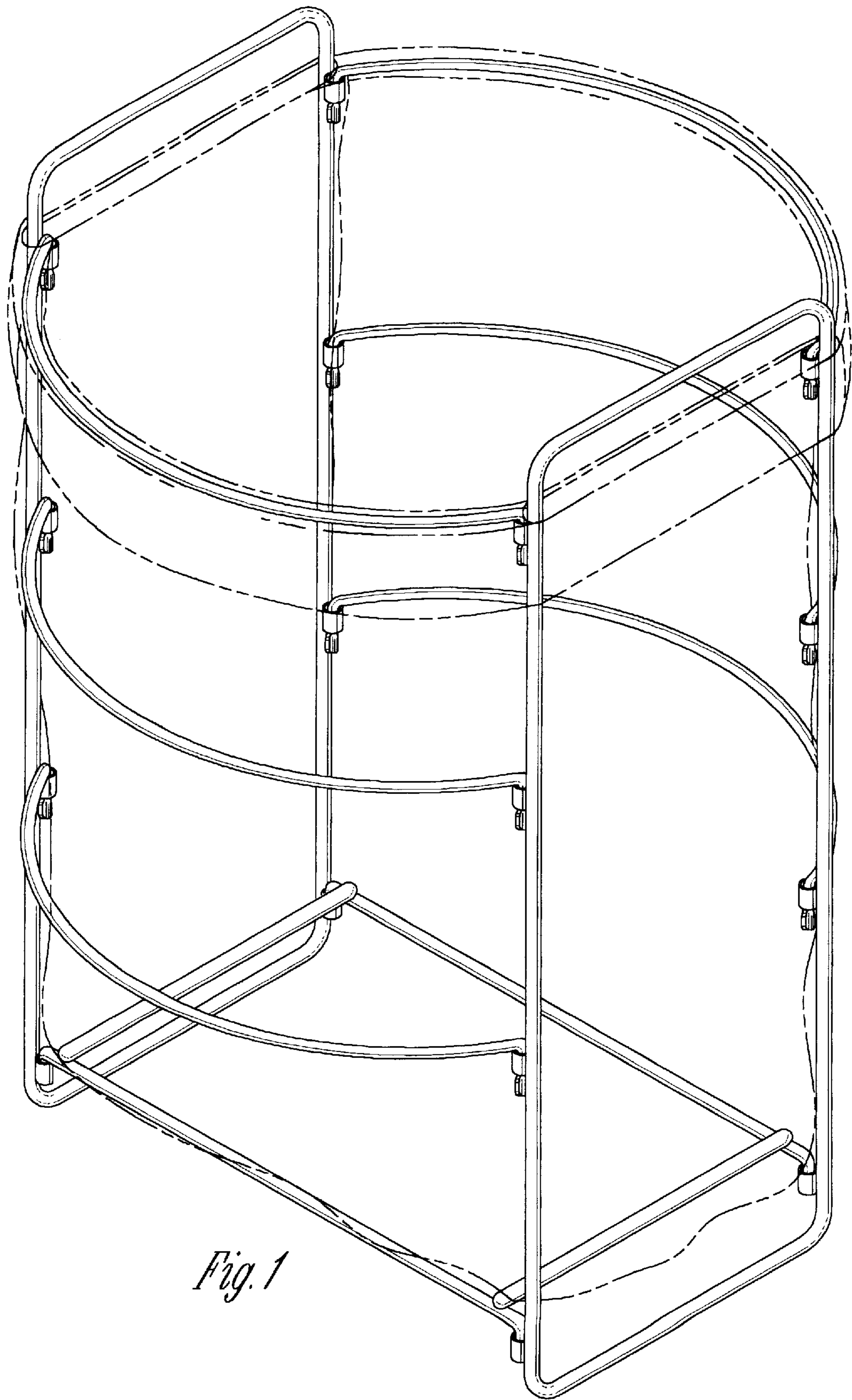


Fig. 1

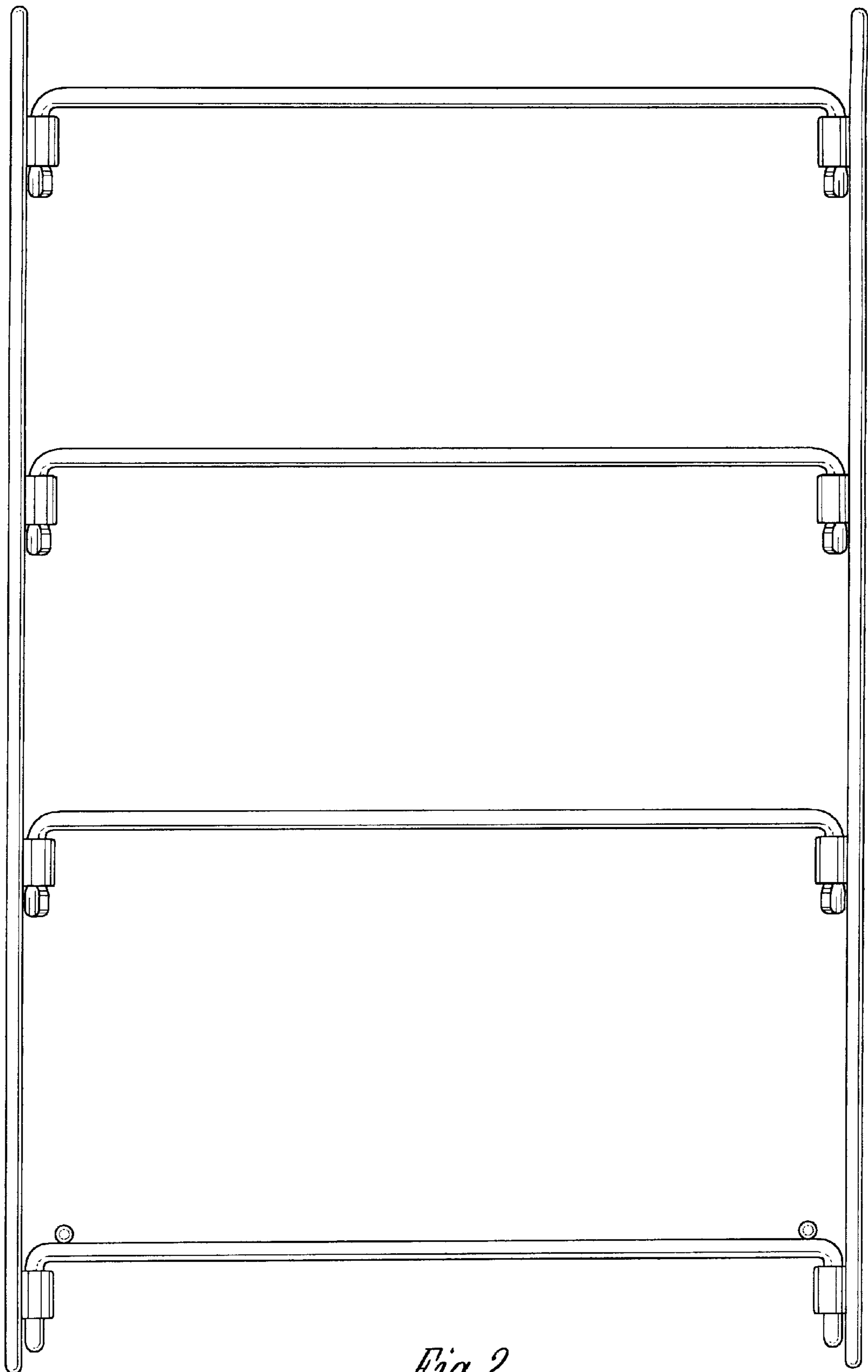


Fig. 2

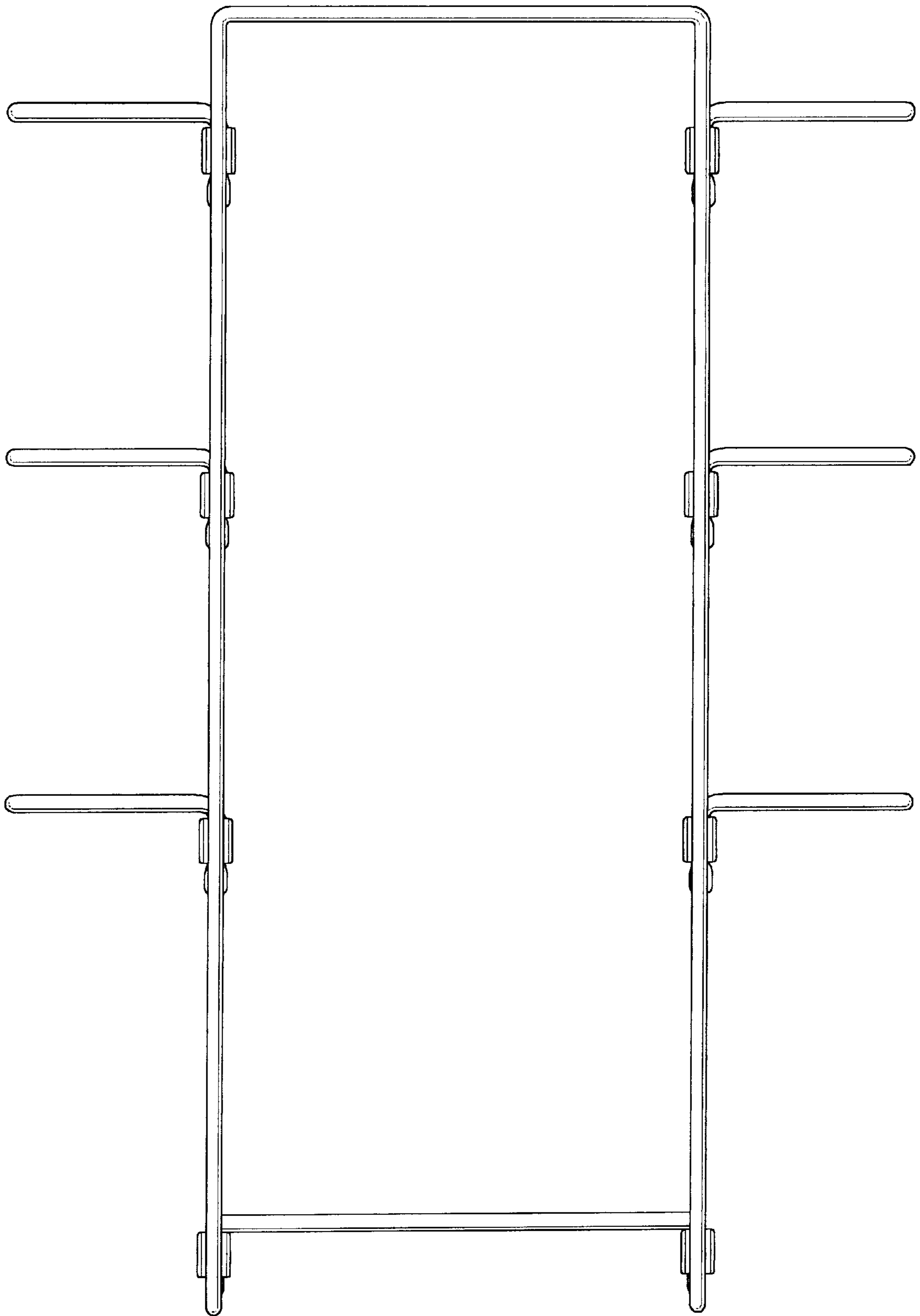


Fig. 3

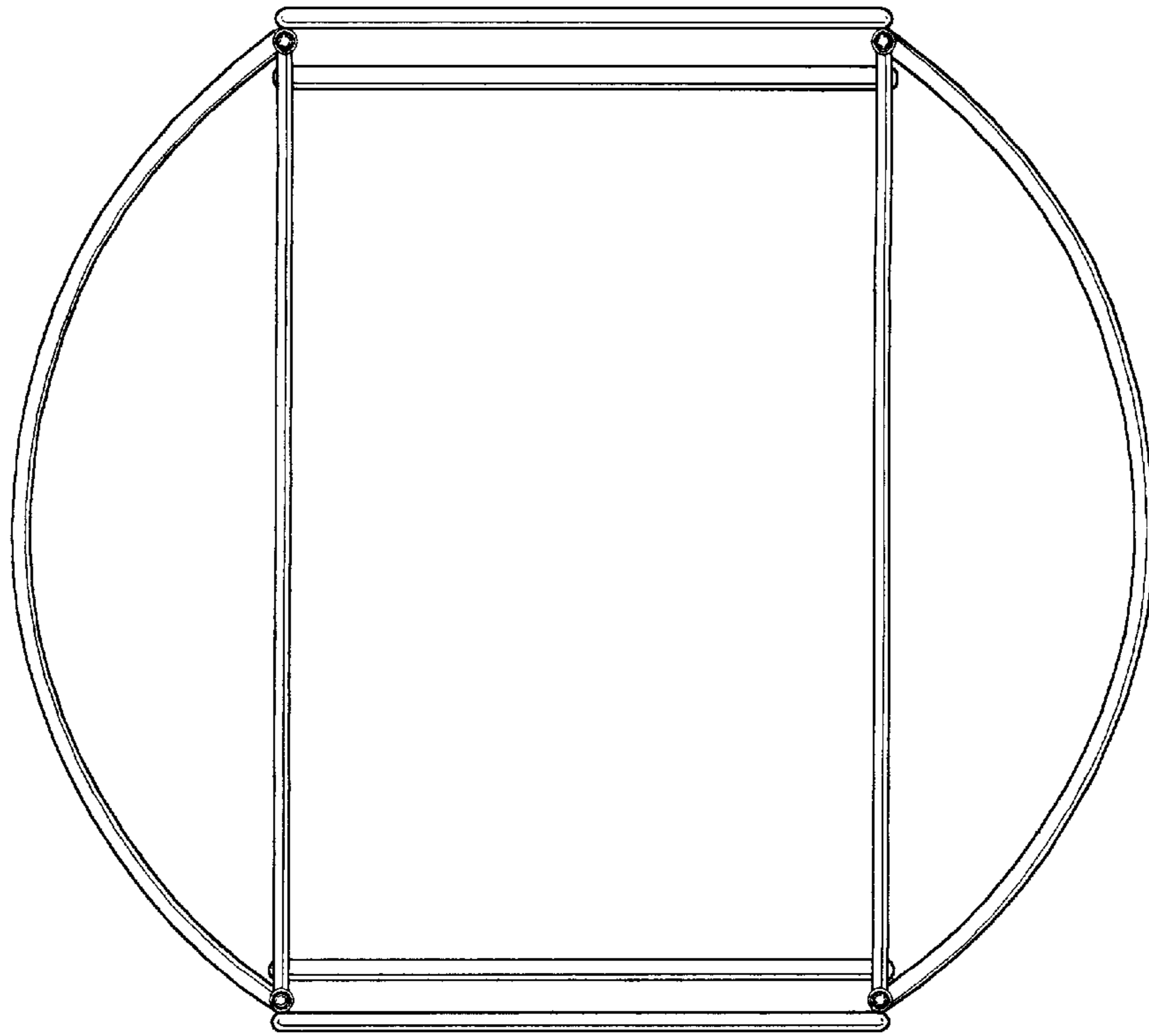


Fig. 4

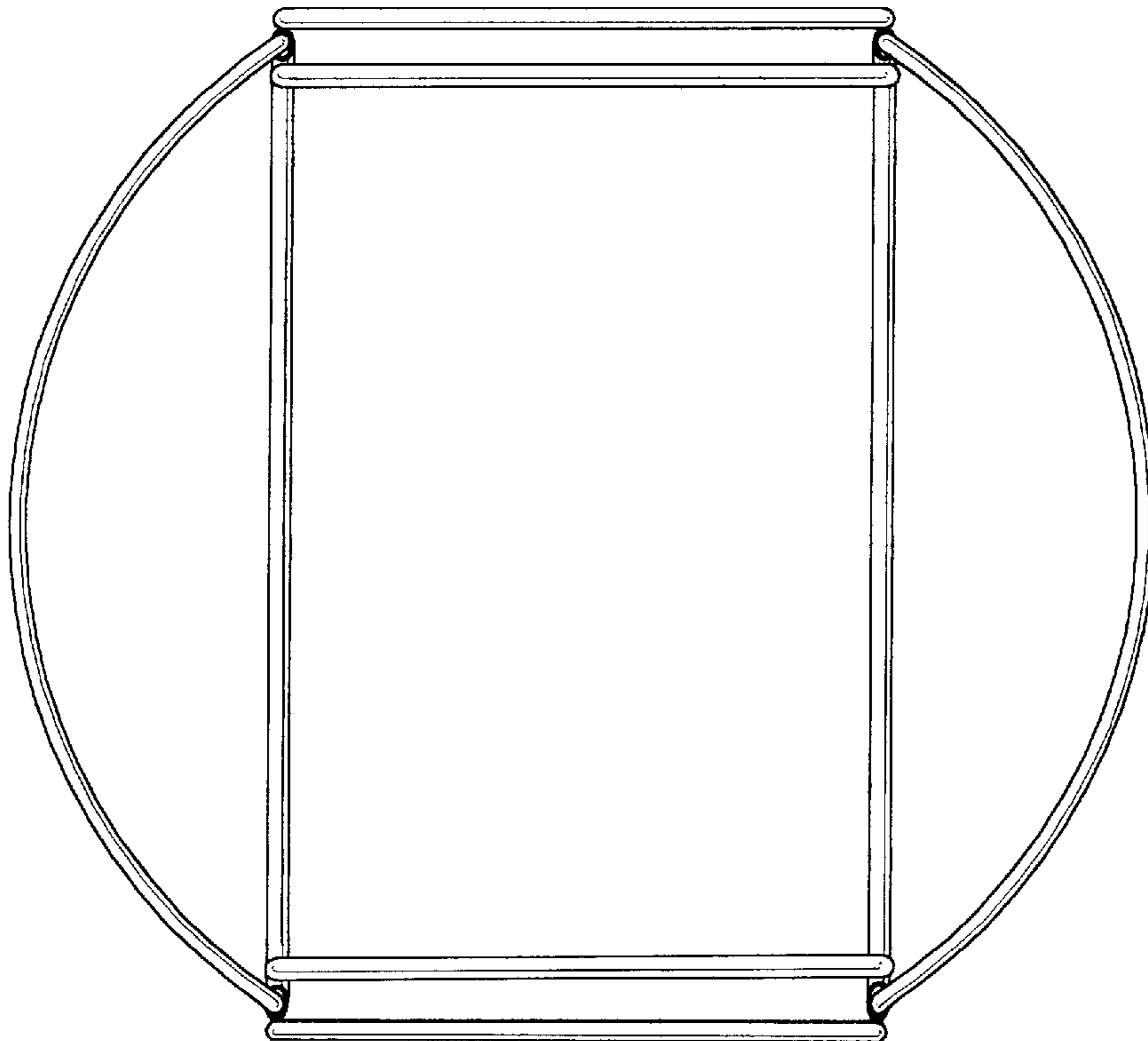


Fig. 5