



US00D434537S

United States Patent [19]

Griffin et al.

[11] Patent Number: Des. 434,537

[45] Date of Patent: ** Nov. 28, 2000

[54] **VACUUM CLEANER HEAD**

[75] Inventors: **John Griffin**, Phoenix, Ariz.; **Craig Seasholtz**, Avis, Pa.; **David Martinez**; **Robert L. Crevling**, both of Williamsport, Pa.

[73] Assignee: **Shop Vac Corporation**, Williamsport, Pa.

[**] Term: **14 Years**

[21] Appl. No.: **29/099,798**

[22] Filed: **Jan. 27, 1999**

[51] **LOC (7) Cl.** **15-05**

[52] **U.S. Cl.** **D32/31**

[58] **Field of Search** D32/21, 23, 24, D32/25, 31; 15/327.1, 327.2, 327.4, 327.6, 327.7, 320, 321

[56] **References Cited**

U.S. PATENT DOCUMENTS

D. 287,171	12/1986	Berfield et al.	32/25
D. 287,658	1/1987	Berfield et al.	D32/25
D. 287,895	1/1987	Berfield et al.	D32/25
D. 357,336	4/1995	Moine et al.	D32/23
D. 357,773	4/1995	Wareham et al.	D32/23
D. 358,010	5/1995	Berfield et al.	D32/23
D. 360,718	7/1995	Rakocy et al.	D32/31
D. 361,179	8/1995	Moine et al.	D32/23
D. 362,091	9/1995	Tomasiak et al.	D32/23
D. 372,567	8/1996	Moine et al.	D32/23
D. 373,862	9/1996	Stephens et al.	D32/23
D. 383,575	9/1997	Griffin	32/23
D. 389,962	1/1998	Berfield et al.	32/23
D. 398,100	9/1998	Stephens et al.	D32/23
2,920,337	1/1960	Smith	15/323
5,144,716	9/1992	Watanabe et al.	15/323

OTHER PUBLICATIONS

Shop-Vac Brochure, QSP Series—Quiet Super Power Wet/Dry Vacs, Model Nos. 900-80 thru 900-84, dated Aug. 1993.

Shop-Vac Brochure, 707 Series Super Performance Wet/Dry Vacs, Model No. 707-10, dated Mar. 1991.

Shop-Vac Brochure, QSP Series—Quiet Super Power Wet/Dry Vacs, Models 900-86 and 900-87, dated Aug. 1993.

Shop-Vac Brochure, QSP Series—Quiet Super Power Wet/Dry Vacs, Model No. 900-29, dated Aug. 1993.

Shop-Vac Brochure, Series 914—Quiet Super Performance Wet/Dry Vacs, Model Nos. 914-15 and 914-27, dated Apr. 1997.

Shop-Vac Brochure, Floormaster, Wet & Dry Cleaning System, Model No. 909-50, dated Jan. 1989.

Shop-Vac Brochure, The QSP Line of Wet/Dry Vacs from Shop Vac, dated 1994.

Shop-Vac Brochure, All Around Vac, dated 1997.

Shop-Vac Brochure, QSP PRO, date 1998.

Shop-Vac Brochure, QPV, dated 1997.

Shop-Vac Brochure, 1X1 Wet/Dry Vac, dated 1997.

Karcher Brochure, High Performance Wet and Dry Vacuums, Dust Extraction and Spray Extraction Machines.

Primary Examiner—Ruth McInroy

Attorney, Agent, or Firm—Marshall, O'Toole, Gerstein, Murray & Borun

[57] **CLAIM**

The ornamental design for a vacuum cleaner head, as shown and described.

DESCRIPTION

FIG. 1 is a perspective view of a vacuum cleaner head showing my new design;

FIG. 2 is a back elevational view thereof;

FIG. 3 is a front elevational view thereof;

FIG. 4 is a left elevational view thereof;

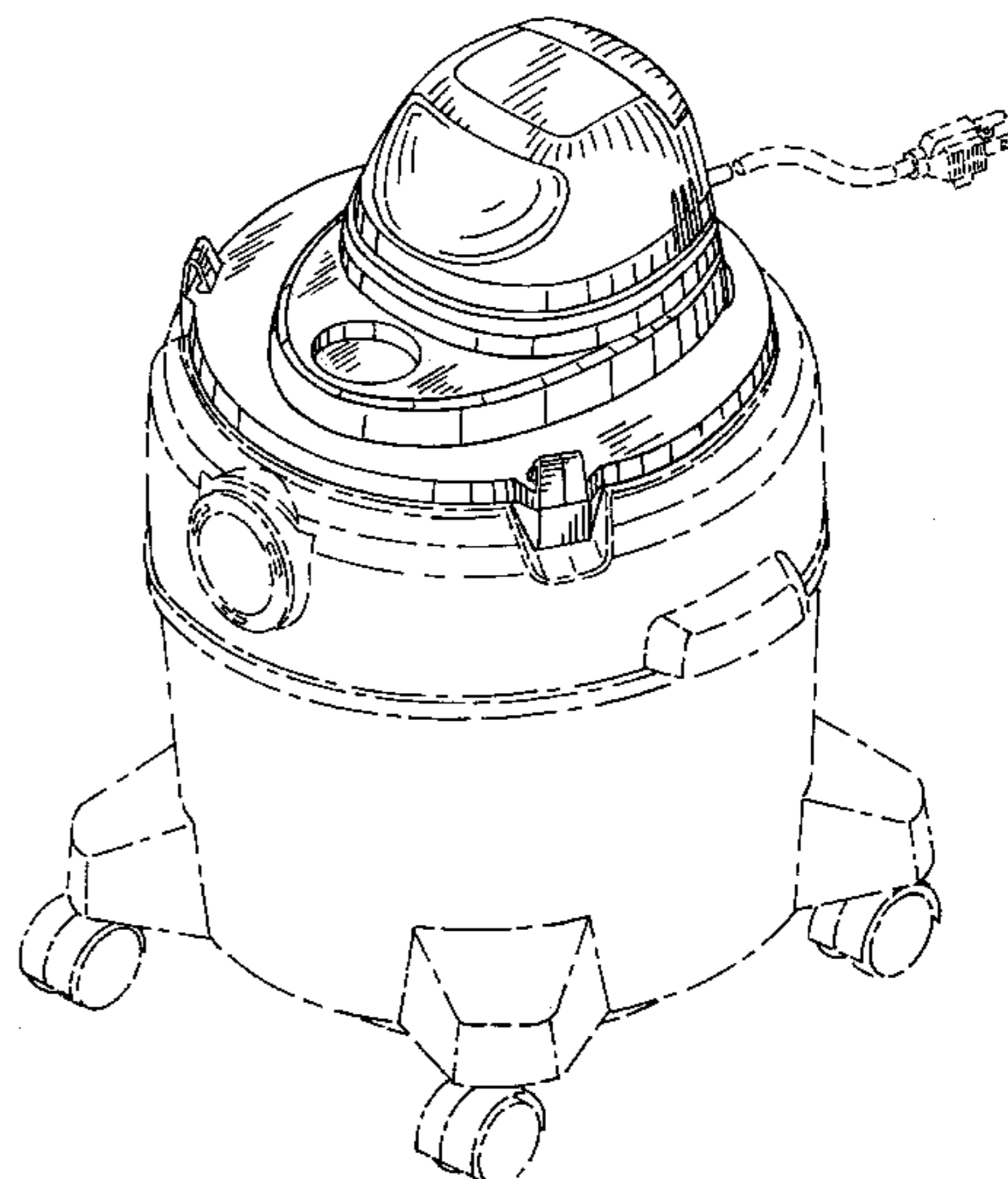
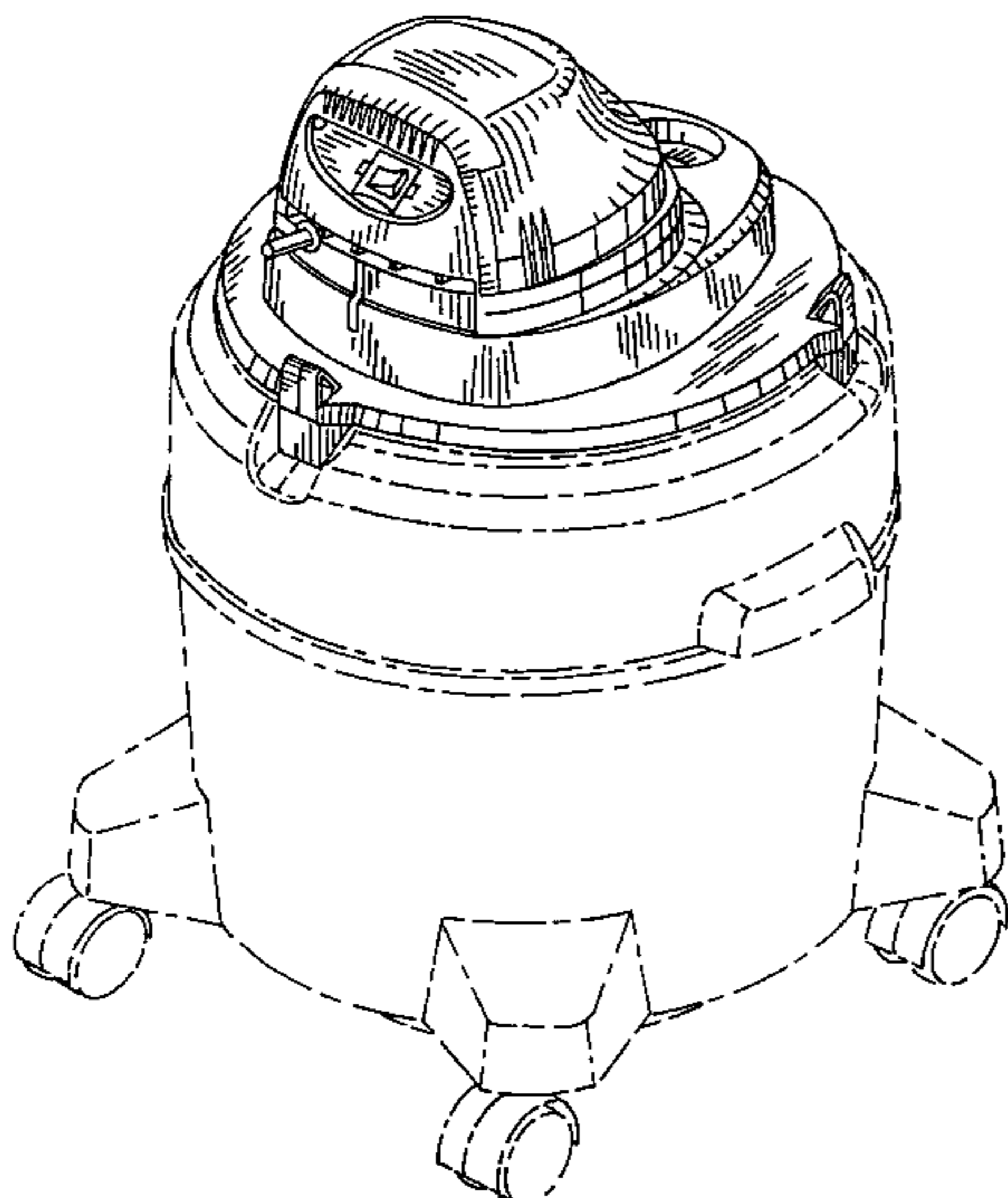
FIG. 5 is a right elevational view thereof;

FIG. 6 is a top plan view thereof; and,

FIG. 7 is a perspective view of the opposite side of FIG. 1.

The portion of the vacuum cleaner shown in broken lines in FIGS. 1-7 and the electrical cord shown in broken lines in FIG. 7 are for illustrative purposes only and form no part of the claimed design.

1 Claim, 7 Drawing Sheets



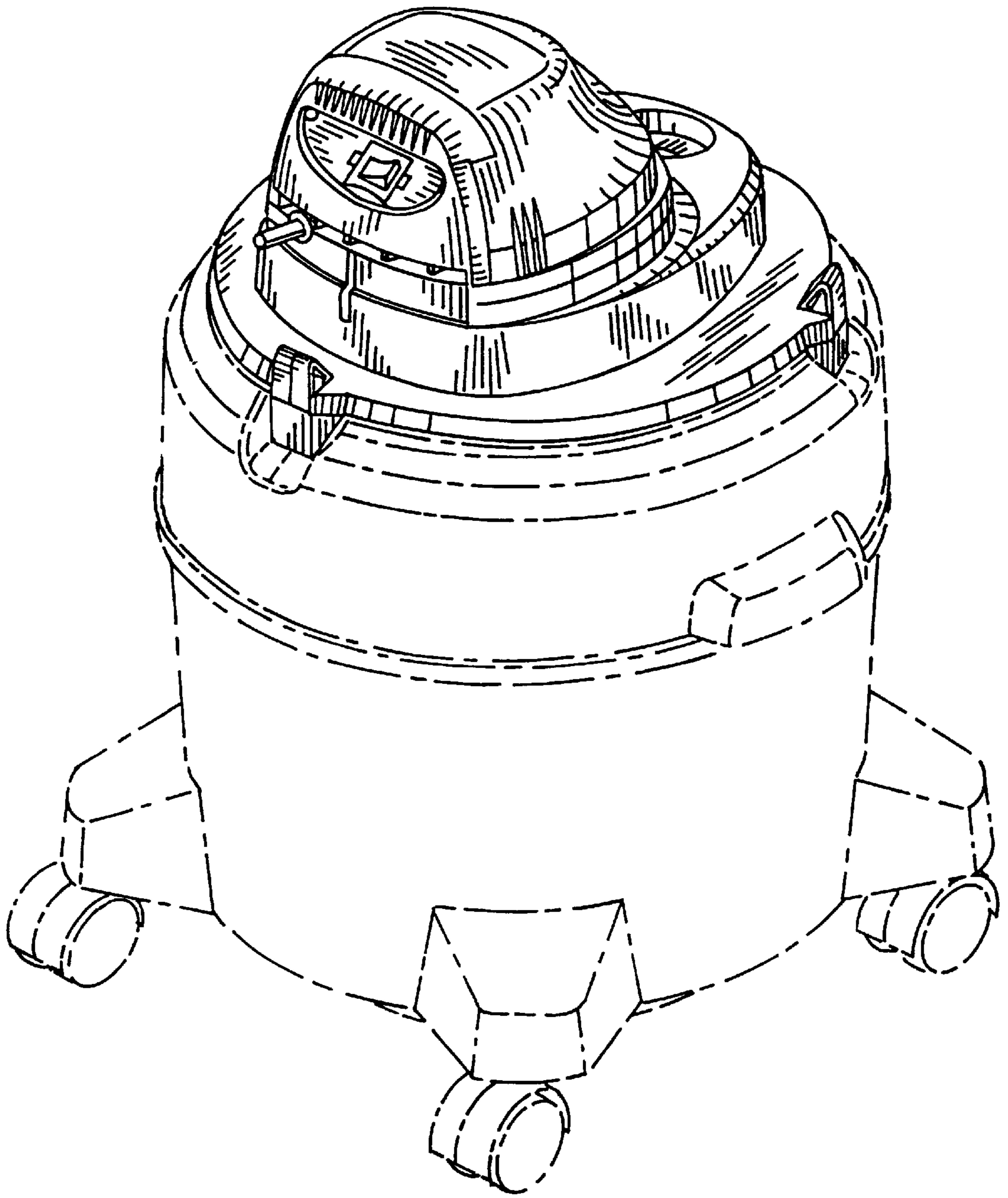


FIG. 1

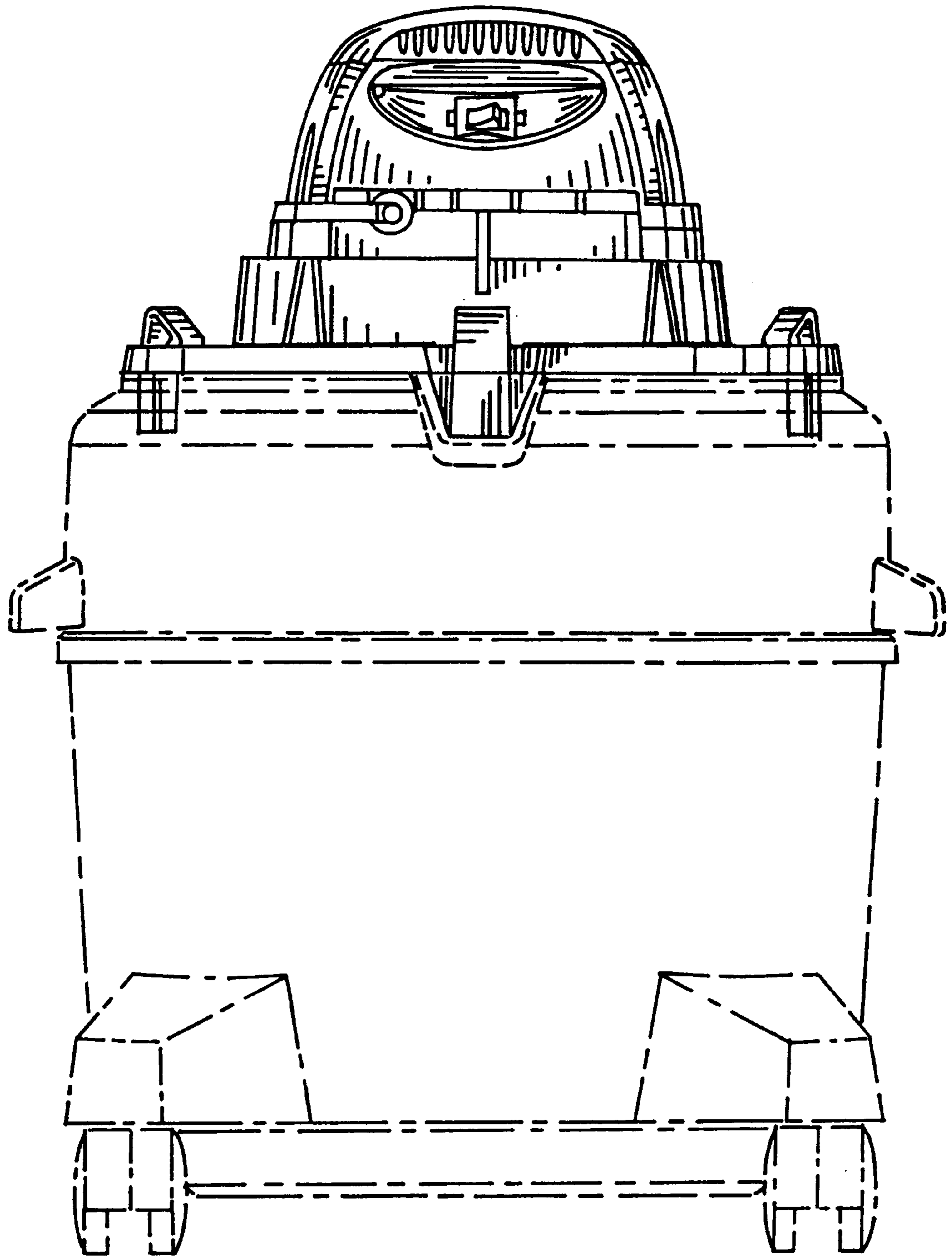


FIG. 2

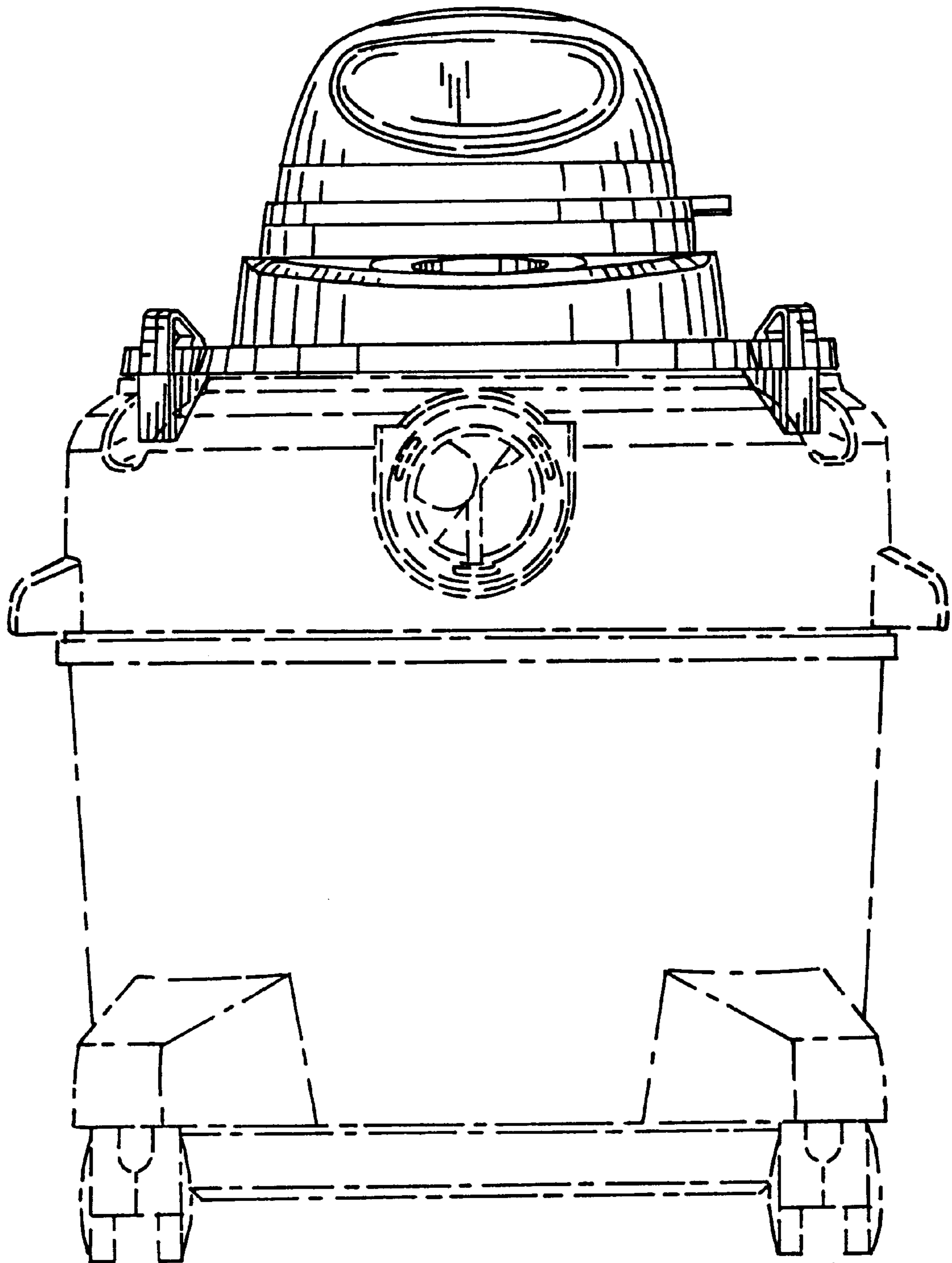


FIG. 3

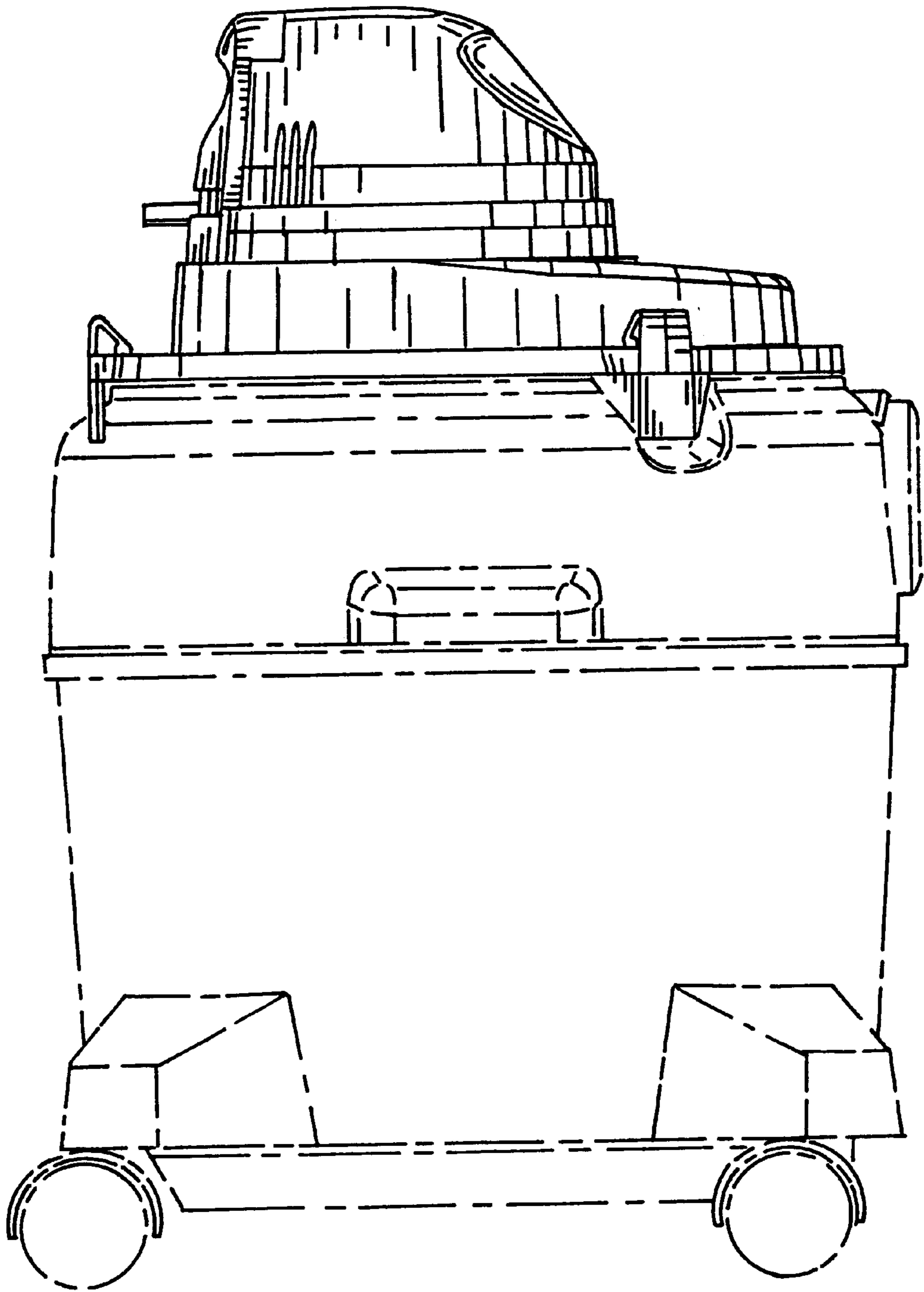


FIG. 4

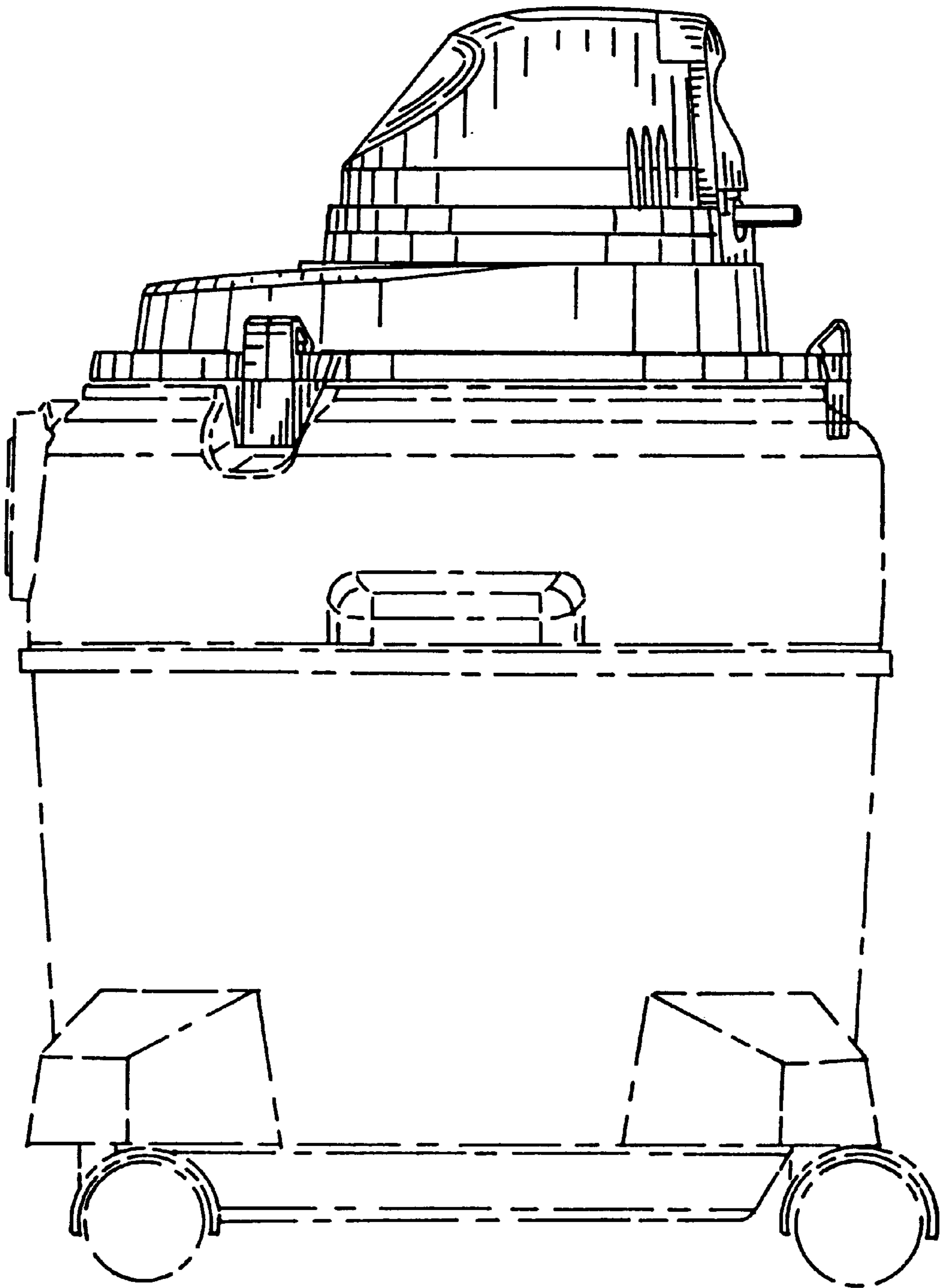


FIG. 5

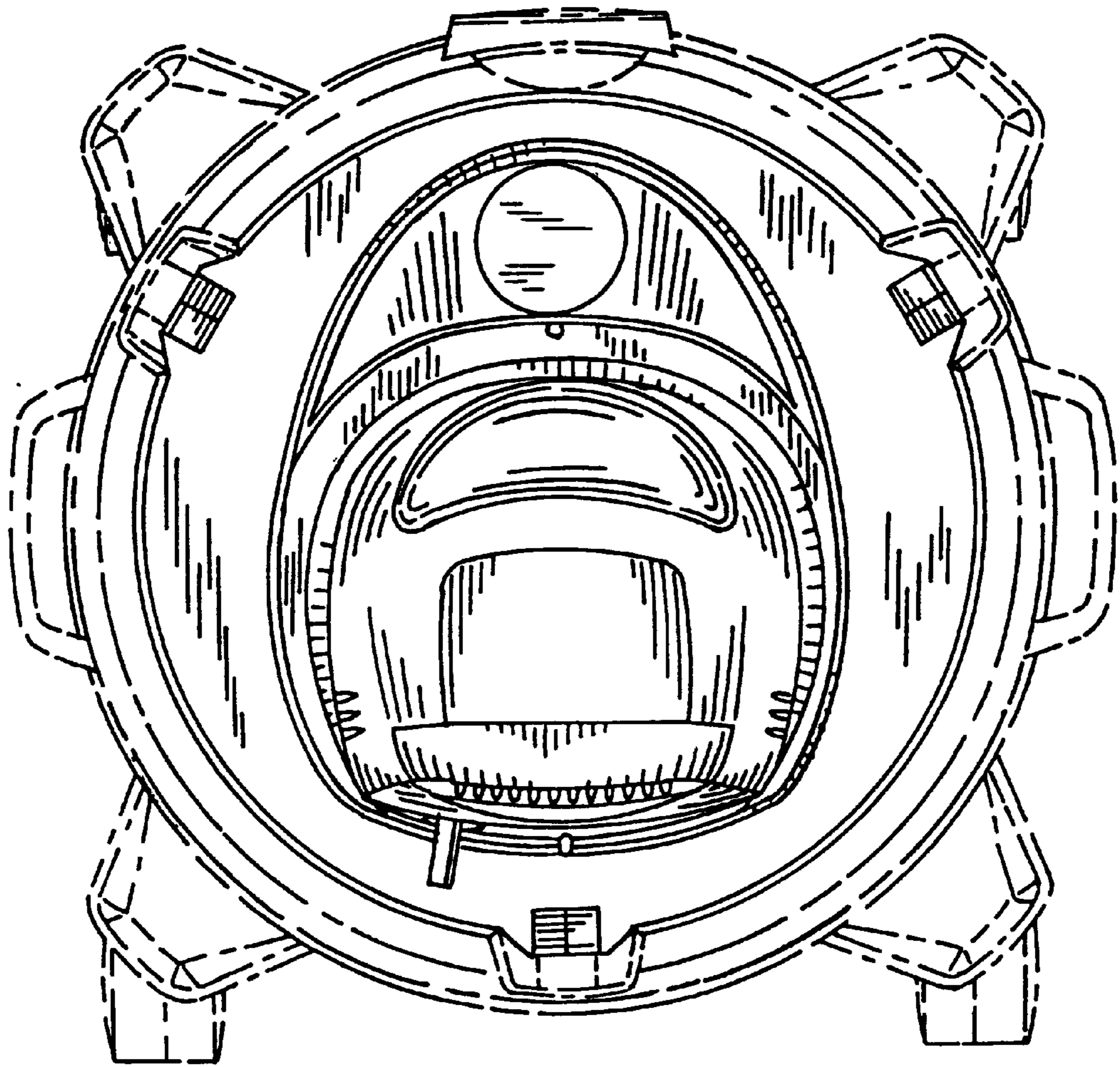


FIG. 6

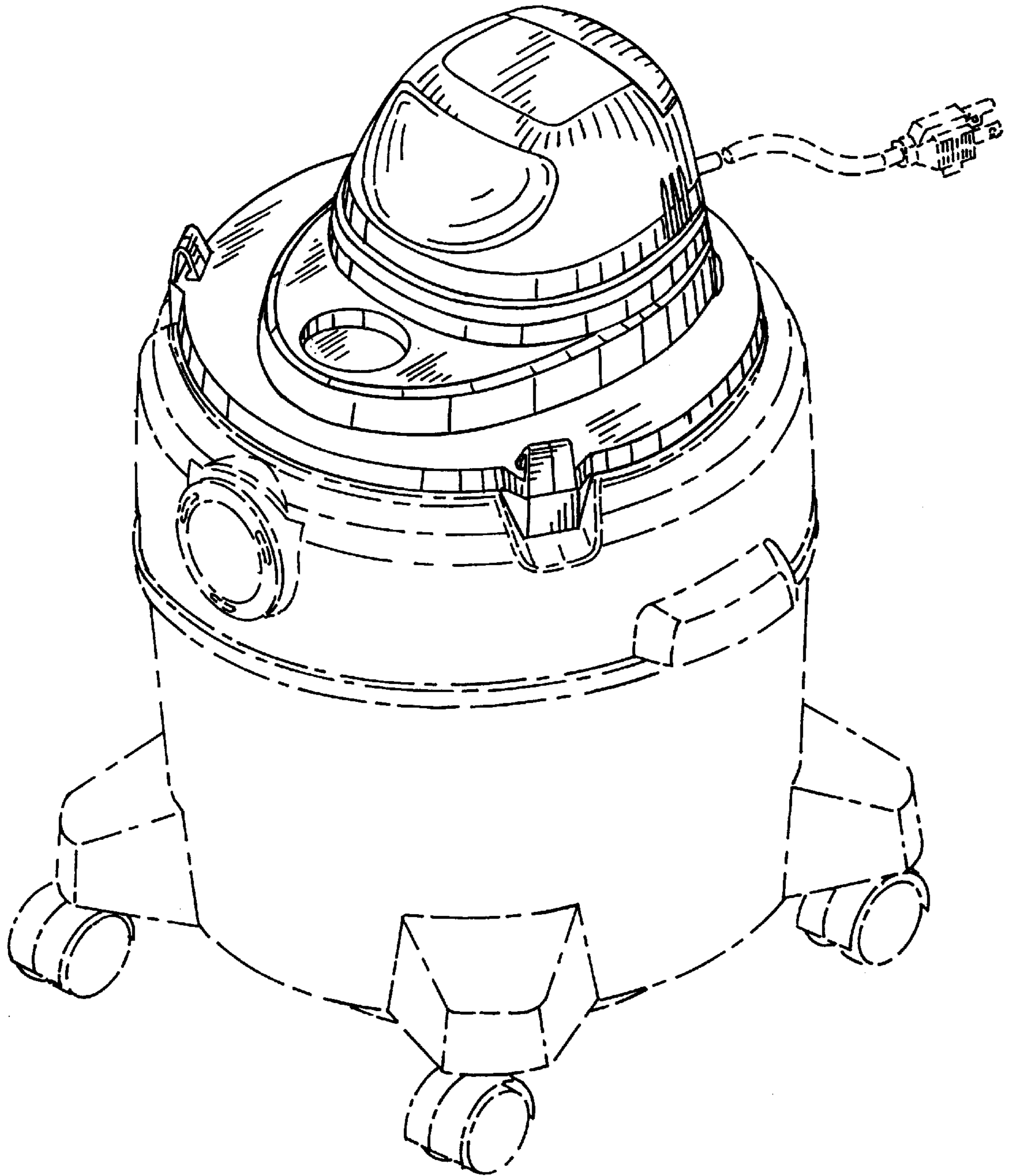


FIG. 7