

US00D434534S

# United States Patent [19] Marasco

[11] Patent Number: Des. 434,534

[45] Date of Patent: \*\* Nov. 28, 2000

[54] KNEELING DISK

5,971,611 10/1999 Rosengren ..... 5/417 X

[75] Inventor: Angela M. Marasco, Waunakee, Wis.

Primary Examiner—Louis S. Zarfes  
Assistant Examiner—Robert A. Delehanty  
Attorney, Agent, or Firm—Foley & Lardner

[73] Assignee: Fiskars Inc., Madison, Wis.

[\*\*] Term: 14 Years

### [57] CLAIM

[21] Appl. No.: 29/103,588

I claim the ornamental design for the kneeling disk, as shown and described.

[22] Filed: Apr. 16, 1999

### DESCRIPTION

[51] LOC (7) Cl. .... 29-02

[52] U.S. Cl. .... D29/122; D29/121

[58] Field of Search ..... D29/100, 101,  
D29/120-122; D24/190; 2/22-24, 62, 267;  
5/417-420; D12/11, 316; 280/18.1

### [56] References Cited

#### U.S. PATENT DOCUMENTS

|            |         |                     |          |
|------------|---------|---------------------|----------|
| D. 322,146 | 12/1991 | Anderson .          |          |
| D. 335,000 | 4/1993  | Johnson .           |          |
| D. 341,680 | 11/1993 | Levine .            |          |
| D. 385,670 | 10/1997 | Oetting .           |          |
| 718,517    | 1/1903  | Perry .....         | 5/420    |
| 1,454,401  | 5/1923  | O'Neill .....       | 182/129  |
| 2,195,817  | 4/1940  | Johnson .           |          |
| 2,464,341  | 3/1949  | Ostlung .....       | 280/18.1 |
| 2,826,423  | 3/1958  | Erickson .....      | D12/11 X |
| 3,044,075  | 7/1962  | Rawlings .          |          |
| 4,043,424  | 8/1977  | Crain .....         | 182/230  |
| 4,723,322  | 2/1988  | Shelby .            |          |
| 4,723,332  | 2/1988  | Pourtau et al. .... | 7/149    |
| 4,751,748  | 6/1988  | Ekins .             |          |
| 4,757,927  | 7/1988  | Rutty .             |          |
| 4,789,046  | 12/1988 | McDowall .          |          |
| 4,953,569  | 9/1990  | Lonardo .           |          |
| 5,125,479  | 6/1992  | Nemes et al. .      |          |
| 5,220,691  | 6/1993  | Wiegiers .          |          |
| 5,226,384  | 7/1993  | Jordan .....        | 5/420 X  |
| 5,405,312  | 4/1995  | Jacobs .            |          |
| 5,429,541  | 7/1995  | Landon .....        | 5/417 X  |
| 5,794,275  | 8/1998  | Donzis .            |          |

FIG. 1 is a perspective view of a kneeling disk;  
 FIG. 2 is a top view of the kneeling disk shown in FIG. 1;  
 FIG. 3 is a bottom view of the kneeling disk shown in FIG. 1;  
 FIG. 4 is a front view of the kneeling disk shown in FIG. 1;  
 FIG. 5 is a right side view of the kneeling disk shown in FIG. 1;  
 FIG. 6 is a back view of the kneeling disk shown in FIG. 1;  
 FIG. 7 is a left side view of the kneeling disk shown in FIG. 1;  
 FIG. 8 is a perspective of a second embodiment of a kneeling disk;  
 FIG. 9 is a top view of the kneeling disk shown in FIG. 8;  
 FIG. 10 is a bottom view of the kneeling disk shown in FIG. 8;  
 FIG. 11 is a front view of the kneeling disk shown in FIG. 8;  
 FIG. 12 is a right side view of the kneeling disk shown in FIG. 8;  
 FIG. 13 is a back view of the kneeling disk shown in FIG. 8; and,  
 FIG. 14 is a left side view of the kneeling disk shown in FIG. 8.

The broken lines in FIGS. 1-14 showing portions of the upper edge of the kneeling disk and portions of a soft cushion are for illustrative purposes only and form no part of the claimed design.

1 Claim, 4 Drawing Sheets

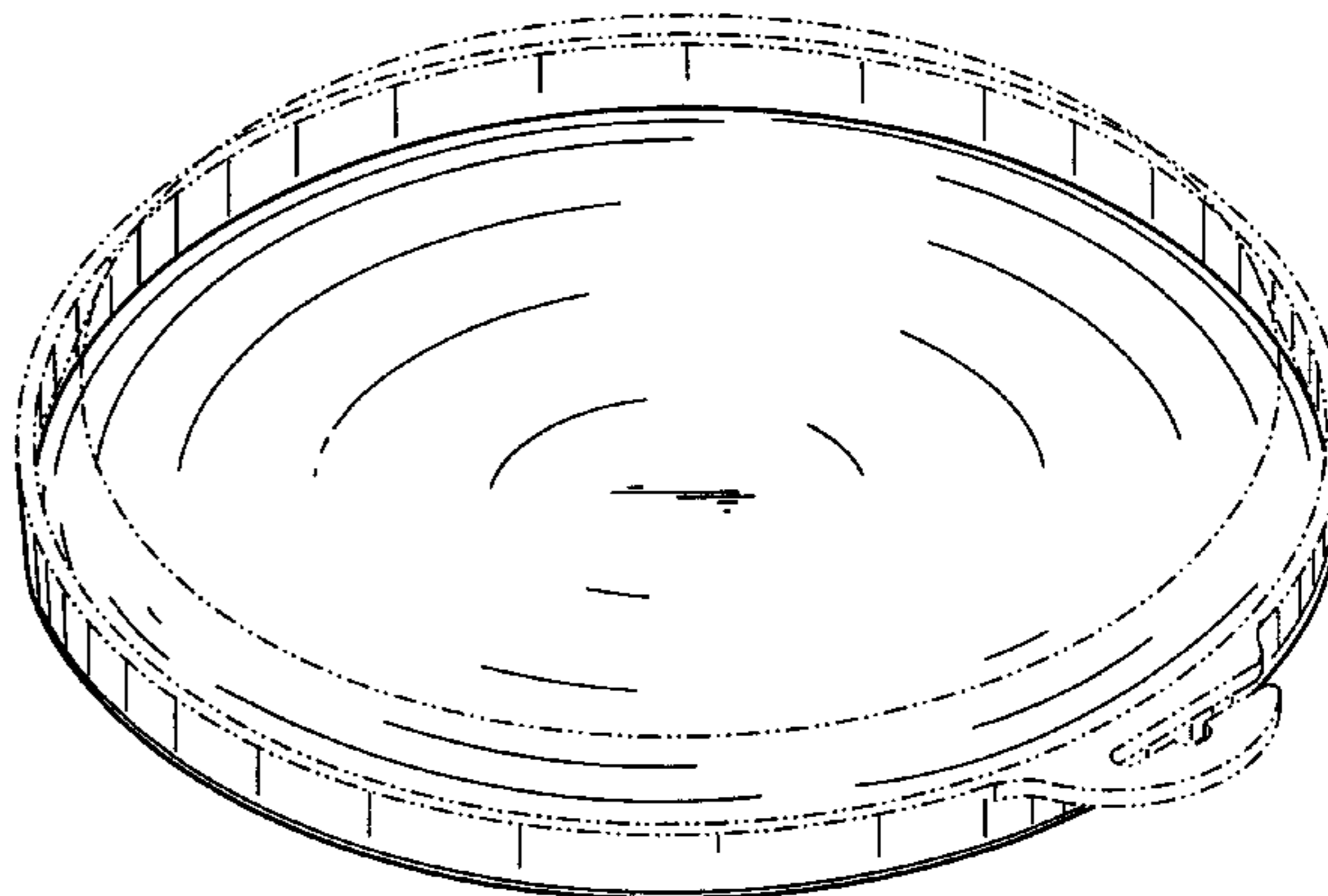
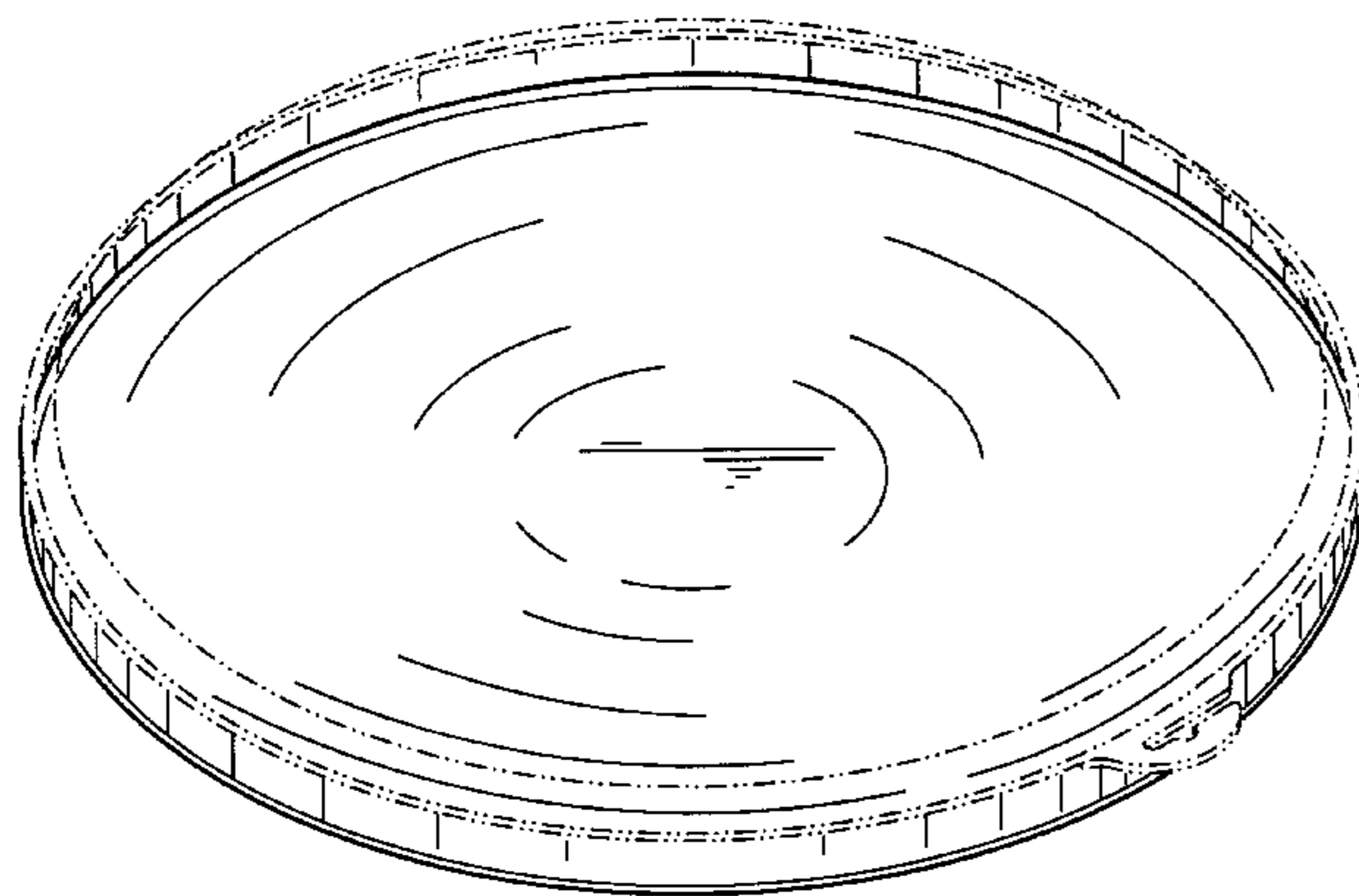


FIG. 1

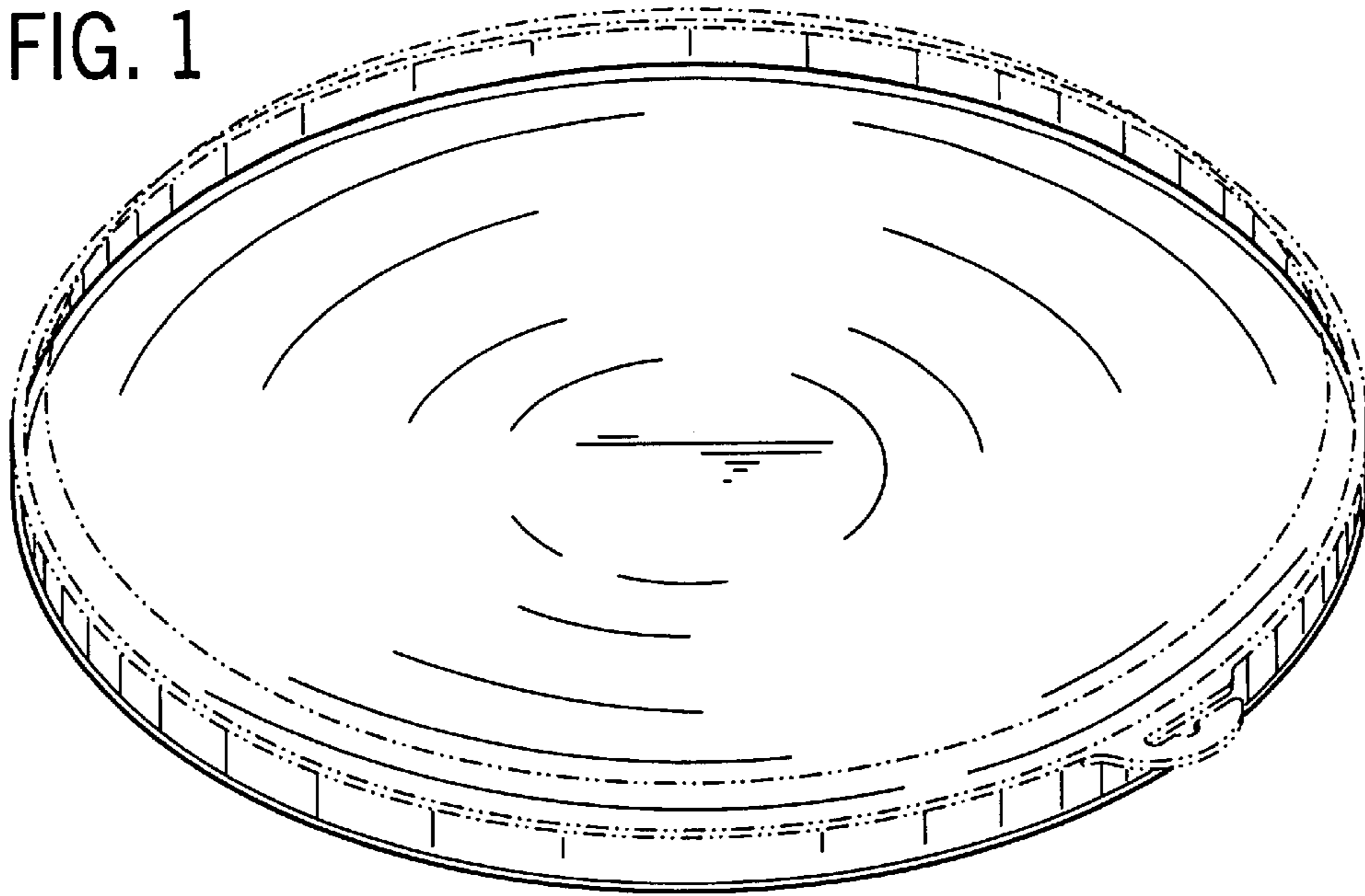


FIG. 2

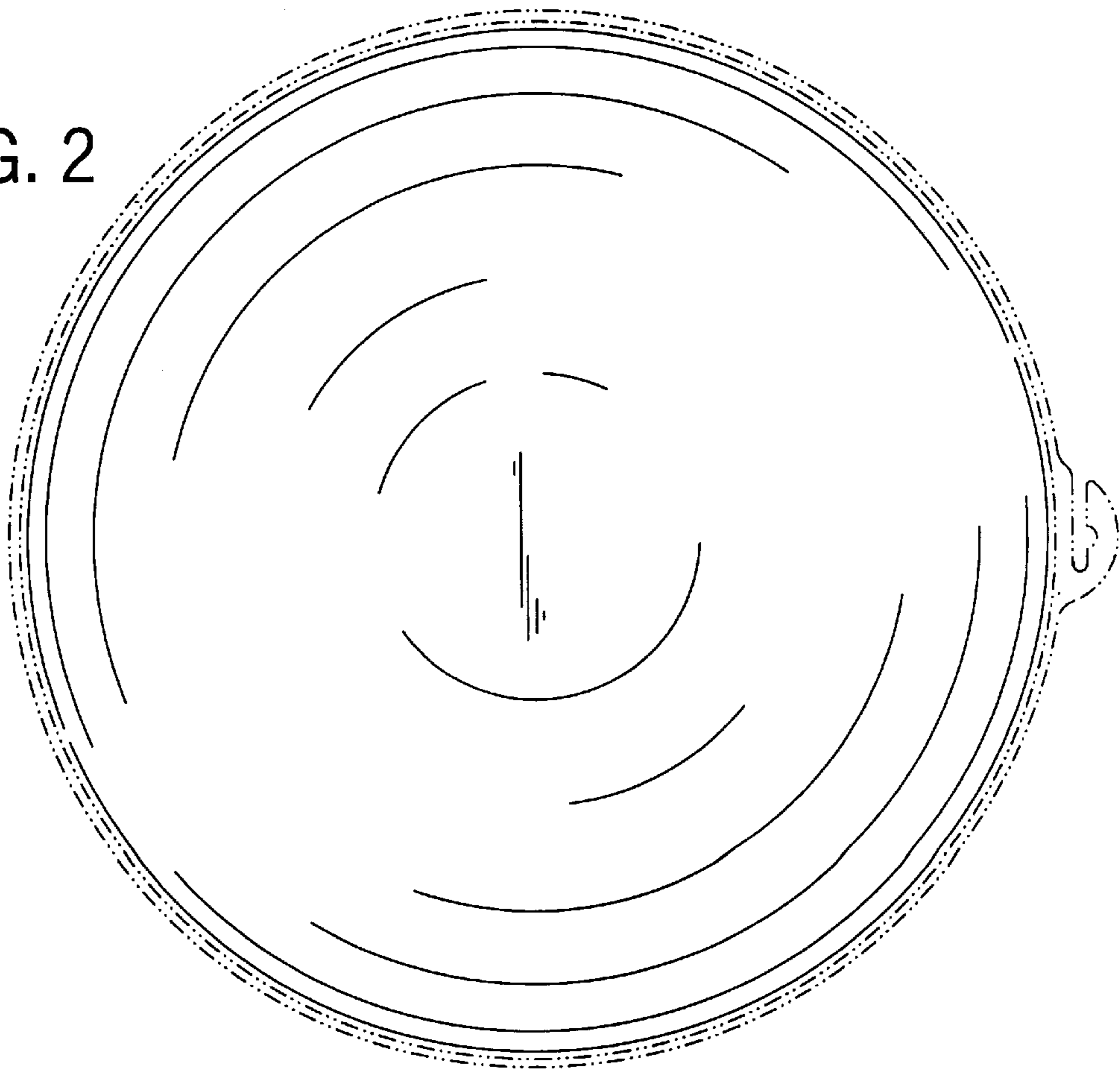


FIG. 3

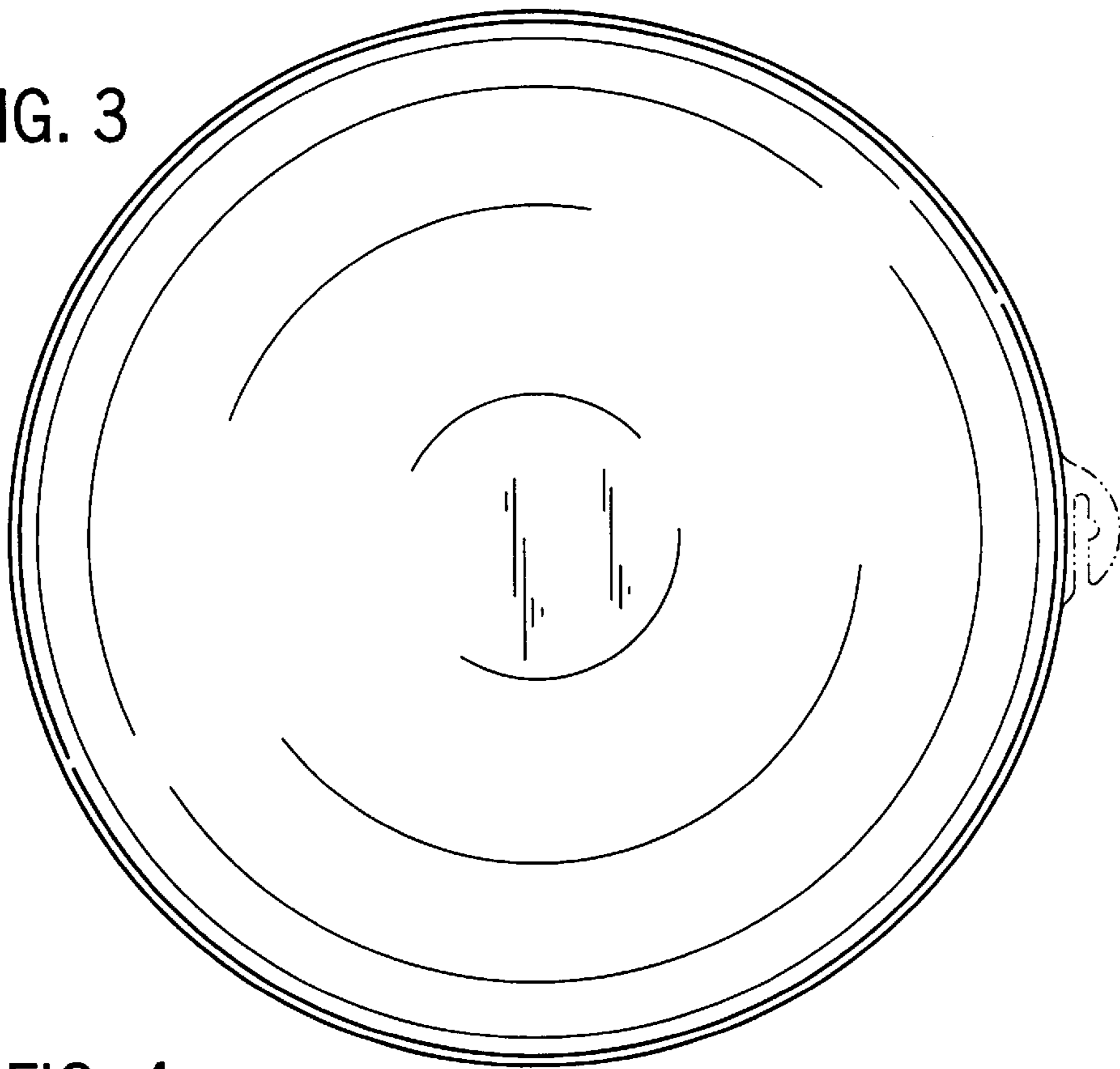


FIG. 4

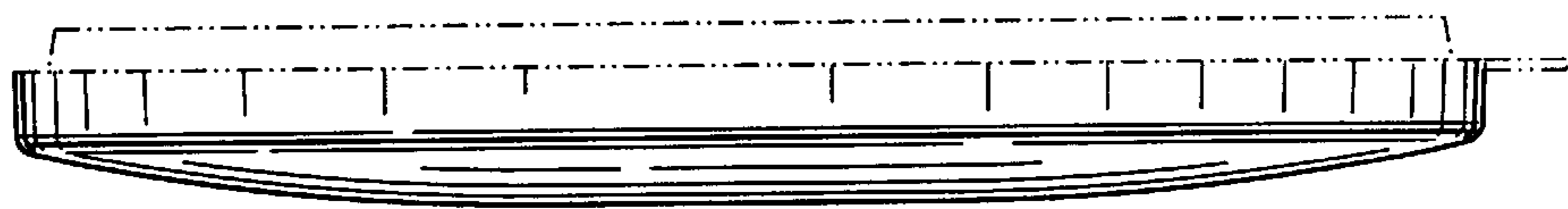


FIG. 5

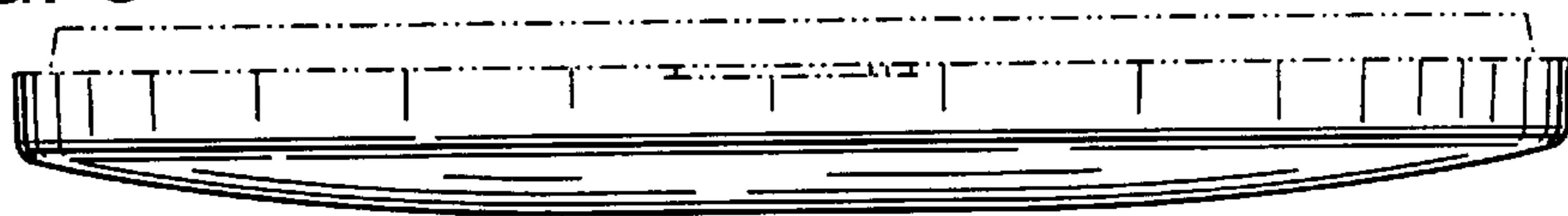


FIG. 6

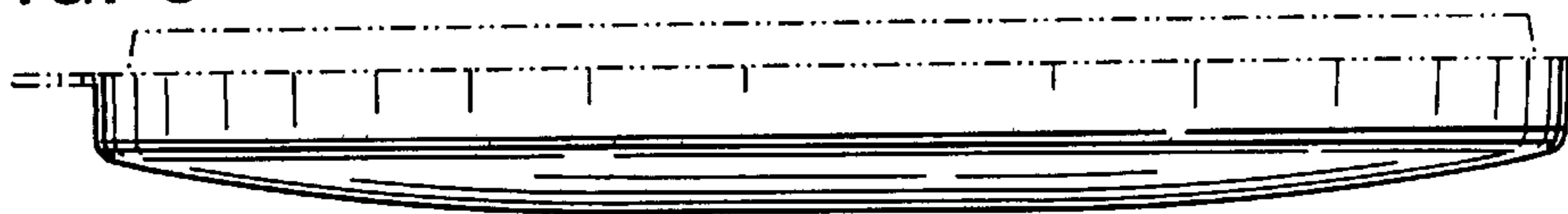


FIG. 7

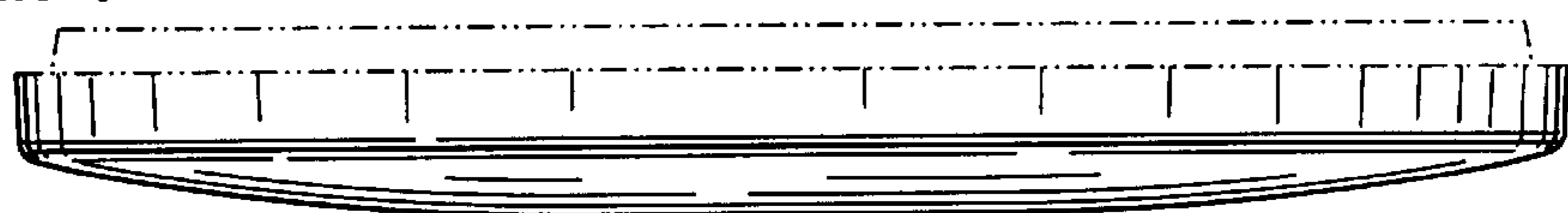


FIG. 8

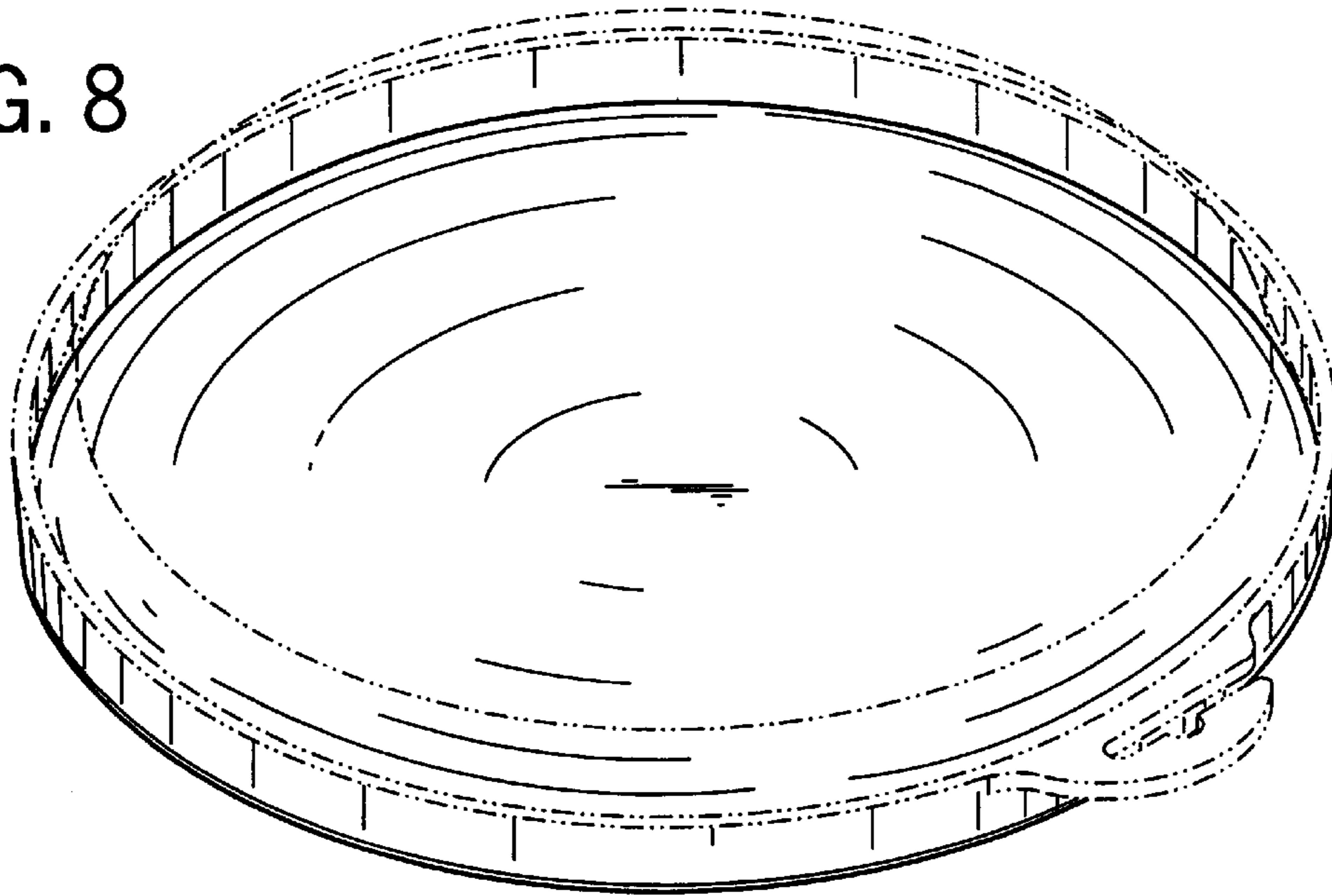


FIG. 9

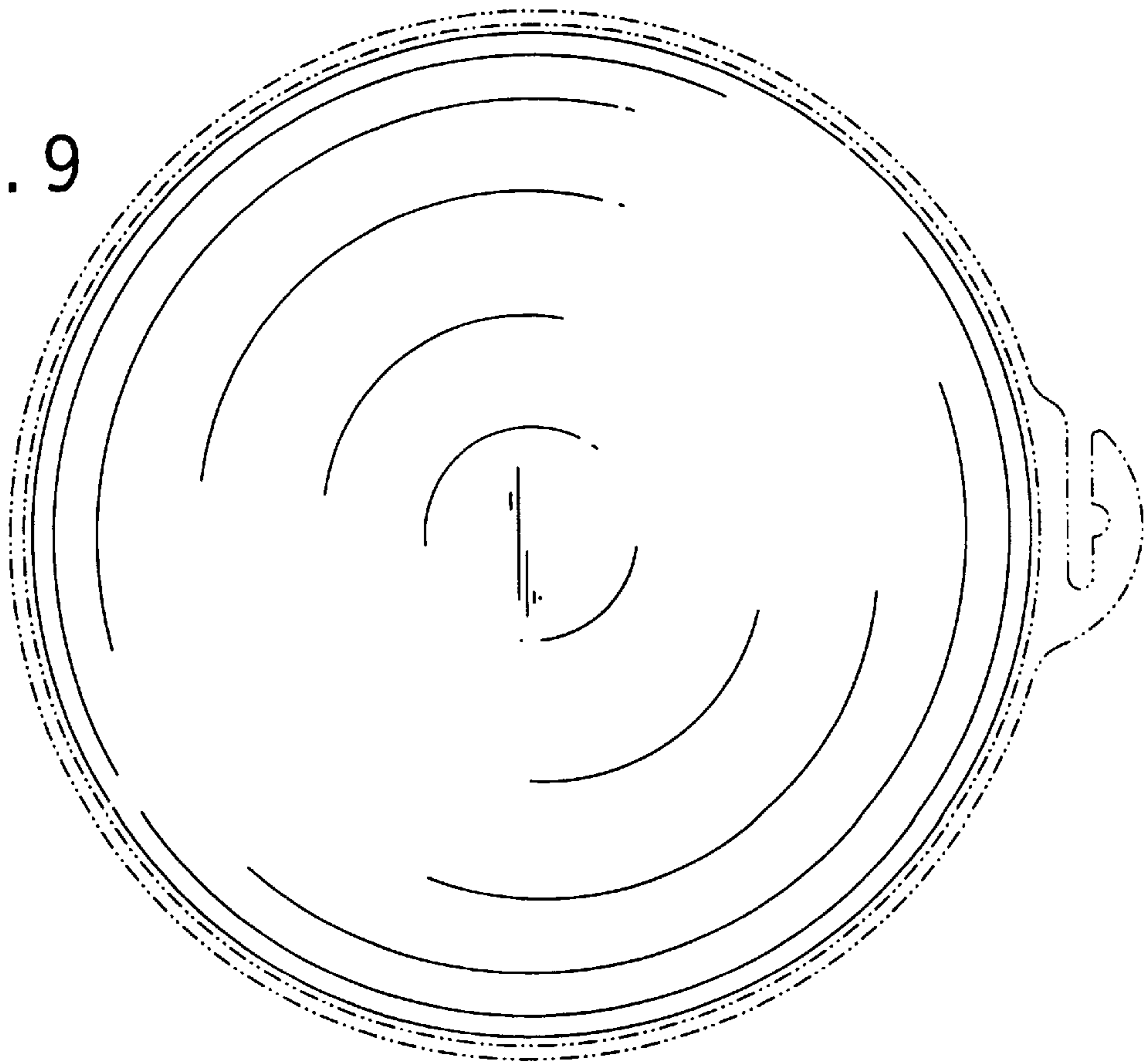


FIG. 10

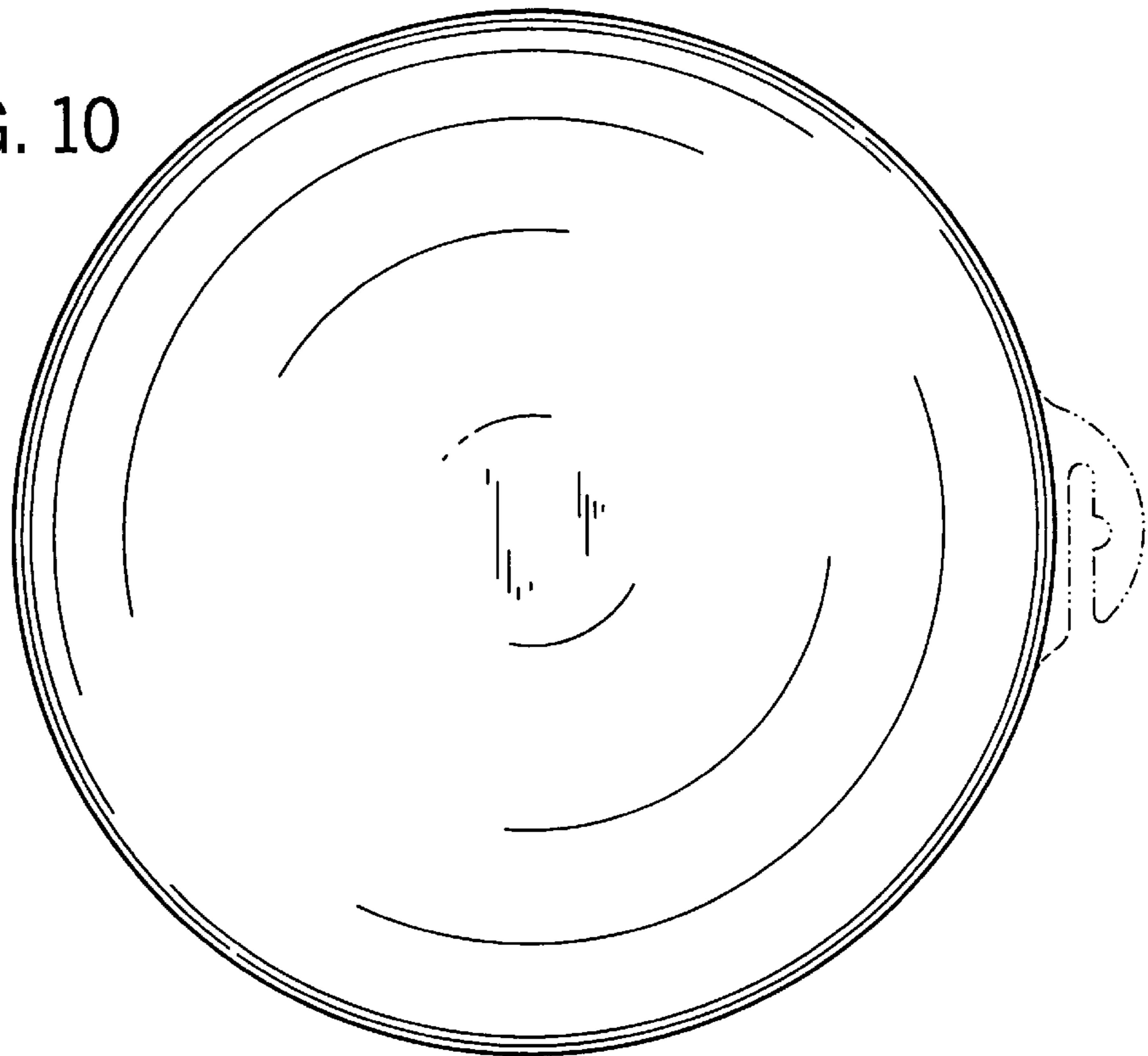


FIG. 11

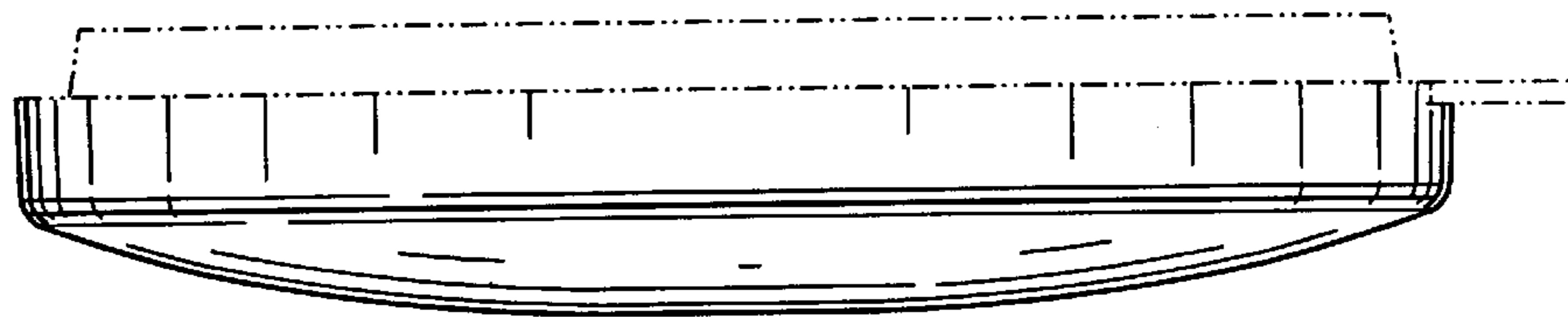


FIG. 12

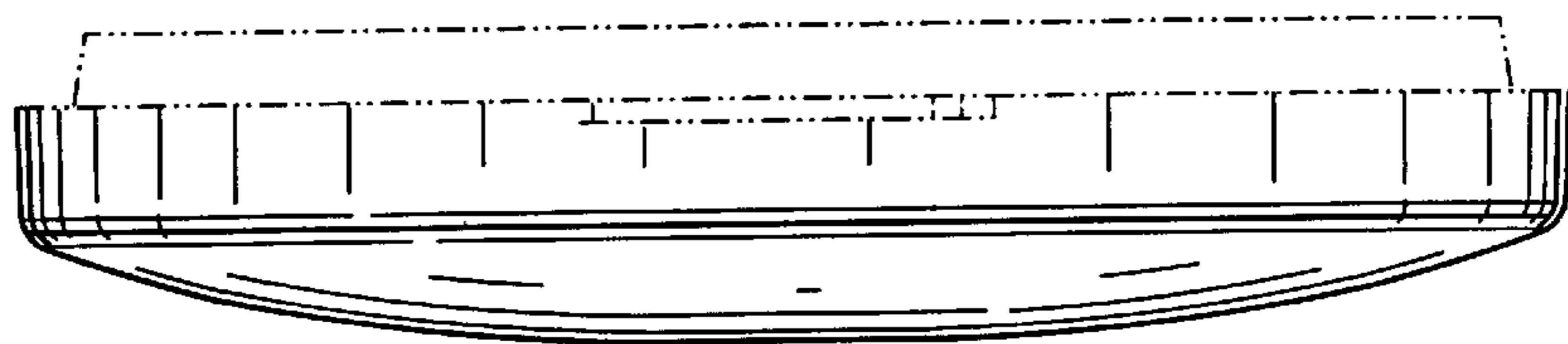


FIG. 13

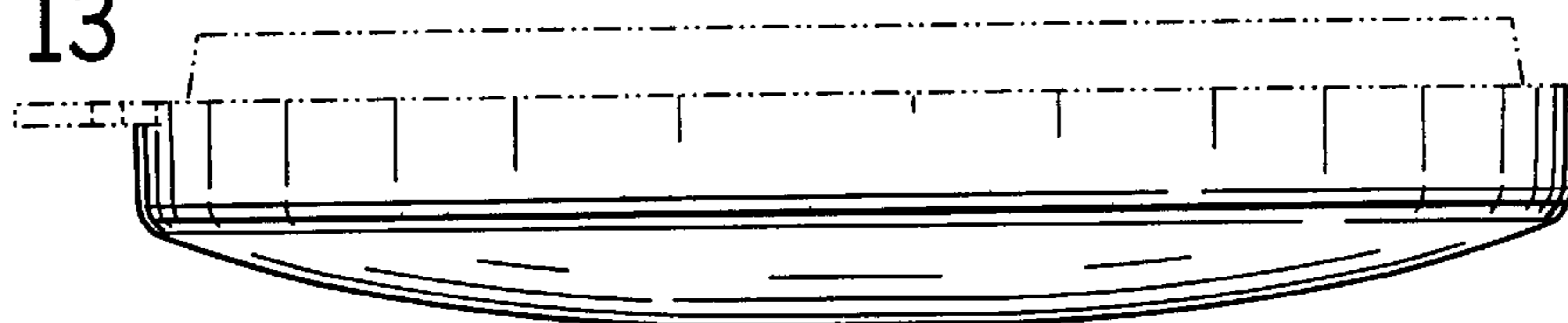


FIG. 14

