



US00D434525S

United States Patent [19] Angeletta

[11] Patent Number: **Des. 434,525**

[45] Date of Patent: **** Nov. 28, 2000**

[54] **LIQUID APPLICATOR**

[76] Inventor: **Joseph G. Angeletta**, 418 Fifth St.,
Mamaroneck, N.Y. 10543

[**] Term: **14 Years**

[21] Appl. No.: **29/108,687**

[22] Filed: **Jul. 30, 1999**

[51] **LOC (7) Cl.** **28-02**

[52] **U.S. Cl.** **D28/7**

[58] **Field of Search** D28/7, 63; D4/114,
D4/137; D32/45, 51, 52; D24/119; 132/320;
15/244.1-244.4; 401/6, 137-139, 183, 196,
202-207, 262-266, 268-291

[56] **References Cited**

U.S. PATENT DOCUMENTS

D. 252,709	8/1979	MacFadden	D24/119
D. 371,219	6/1996	Bouchez	D4/137
D. 384,436	9/1997	Kelley	D4/137
D. 387,704	12/1997	Berti	D32/45
D. 394,331	5/1998	Price	D4/137
D. 405,555	2/1999	De Melo et al.	D28/7
D. 414,005	9/1999	Lehnertz	D32/45
D. 417,033	11/1999	Sachs et al.	D28/7
5,322,382	6/1994	Hull et al.	401/207
5,437,372	8/1995	Per-Lee	15/244.4
5,454,659	10/1995	Vosbikian et al.	401/207
5,493,749	2/1996	Zayas	15/244.1

Primary Examiner—Raphael Barkai
Attorney, Agent, or Firm—Scully, Scott, Murphy & Presser

[57] **CLAIM**

The ornamental design for a liquid applicator, as shown and described.

DESCRIPTION

FIG. 1 illustrates a top plan view of a first embodiment the liquid applicator showing my new and ornamental design, illustrating a surface for the application of decorative indicia or silk screening;

FIG. 2 illustrates side view, the opposite side being a mirror-image thereof;

FIG. 3 illustrates a top plan view of a modified embodiment of the design shown in FIGS. 1; 2 and 7-10 showing an automobile steering wheel design;

FIG. 4 illustrates a side view, the opposite side being a mirror-image thereof;

FIG. 5 illustrates a top plan view of another modified embodiment of the design shown in FIGS. 1, 2 and 7-10 showing an automotive vehicle design;

FIG. 6 illustrates a side view, the opposite side being a mirror-image thereof;

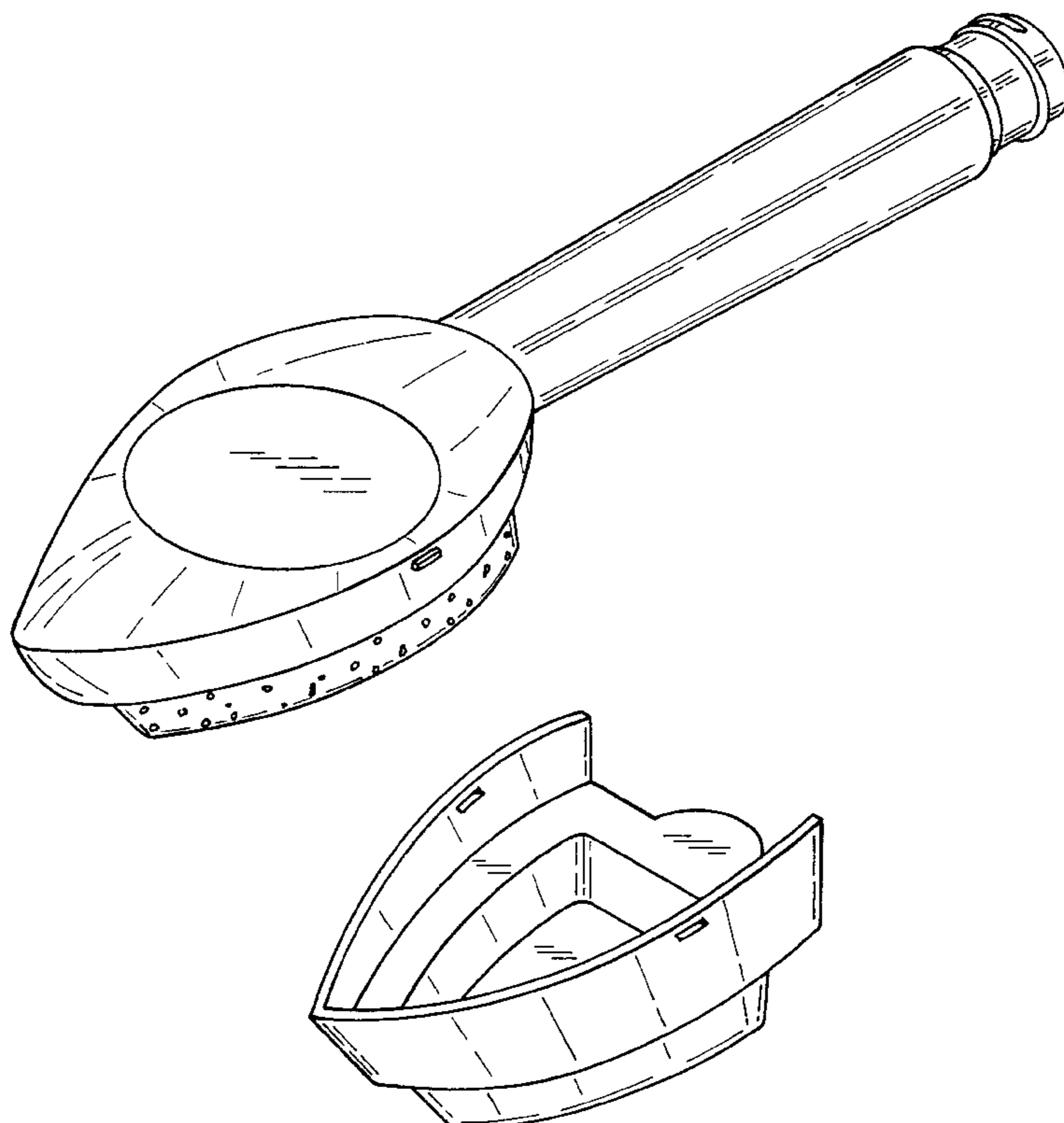
FIG. 7 illustrates a bottom plan view of the applicator with a cover being mounted thereon;

FIG. 8 illustrates a side view, the opposite side being a mirror-image thereof;

FIG. 9 illustrates a bottom plan view with the cover having been detached from the applicator; and,

FIG. 10 illustrates a perspective exploded side view of the applicator and cover assembly.

1 Claim, 6 Drawing Sheets



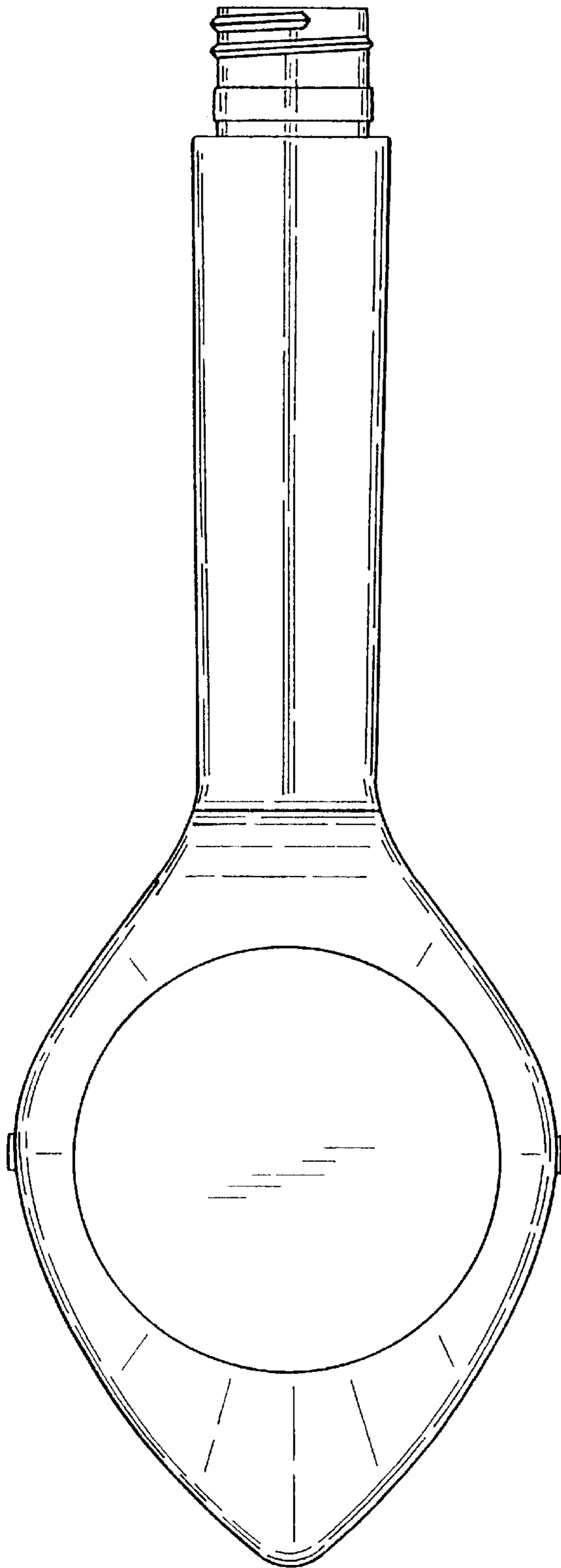


FIG. 1

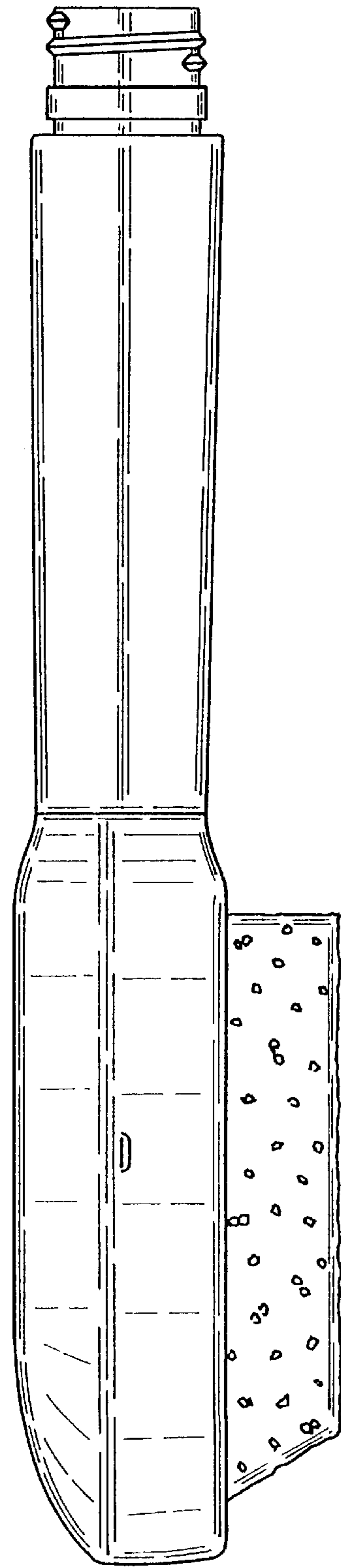


FIG. 2

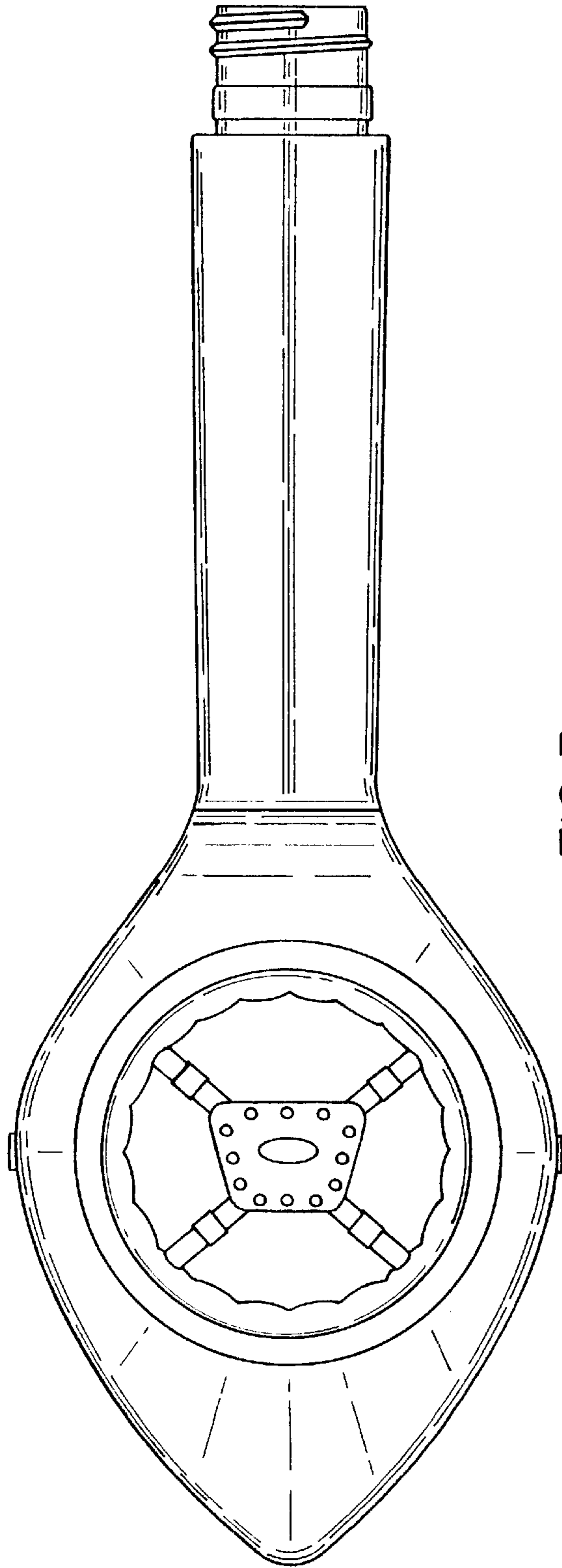


FIG. 3

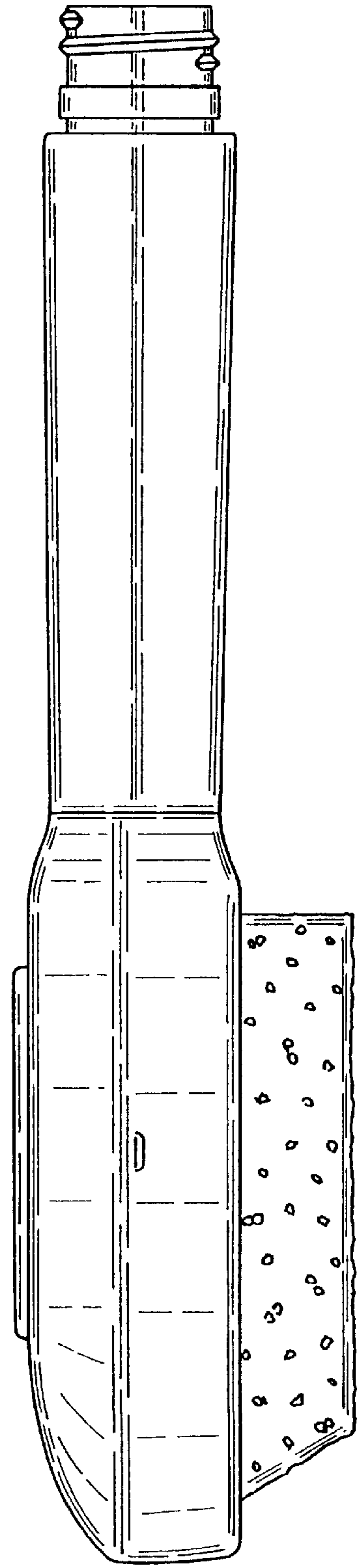


FIG. 4

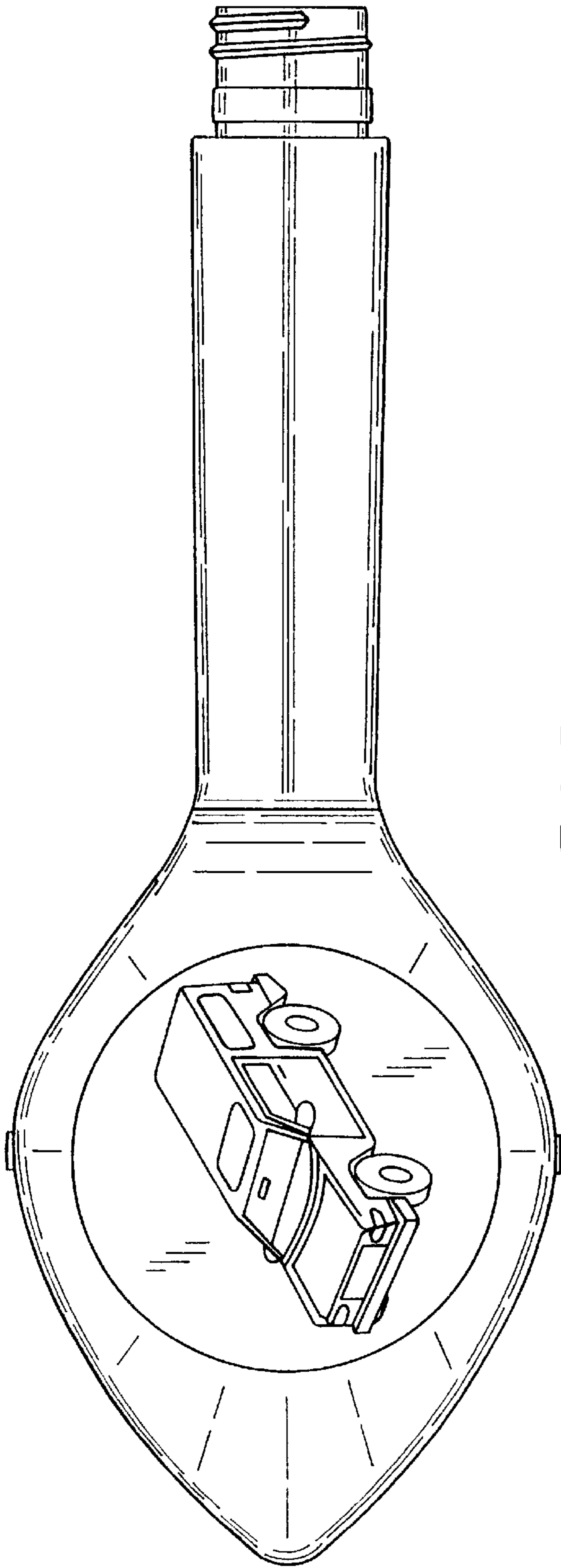


FIG. 5

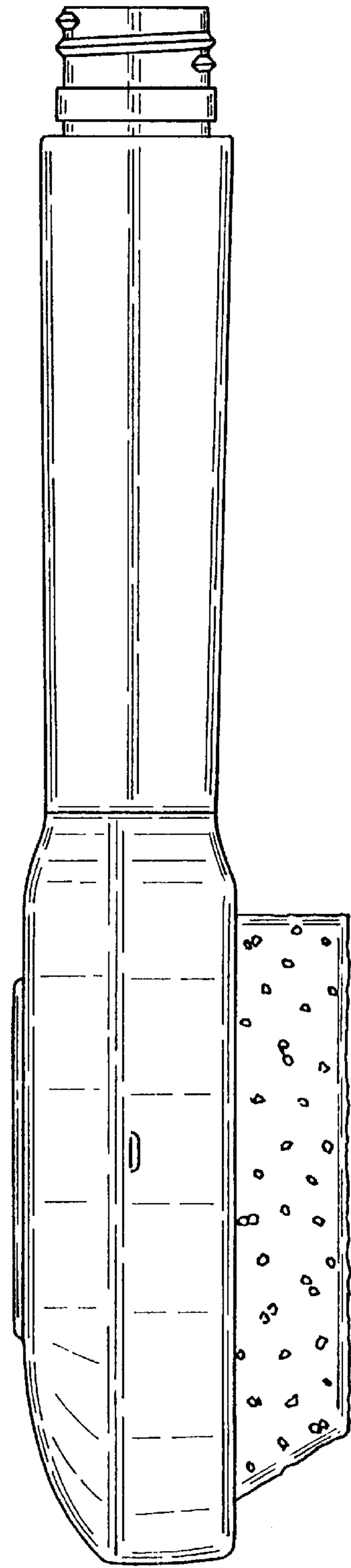


FIG. 6

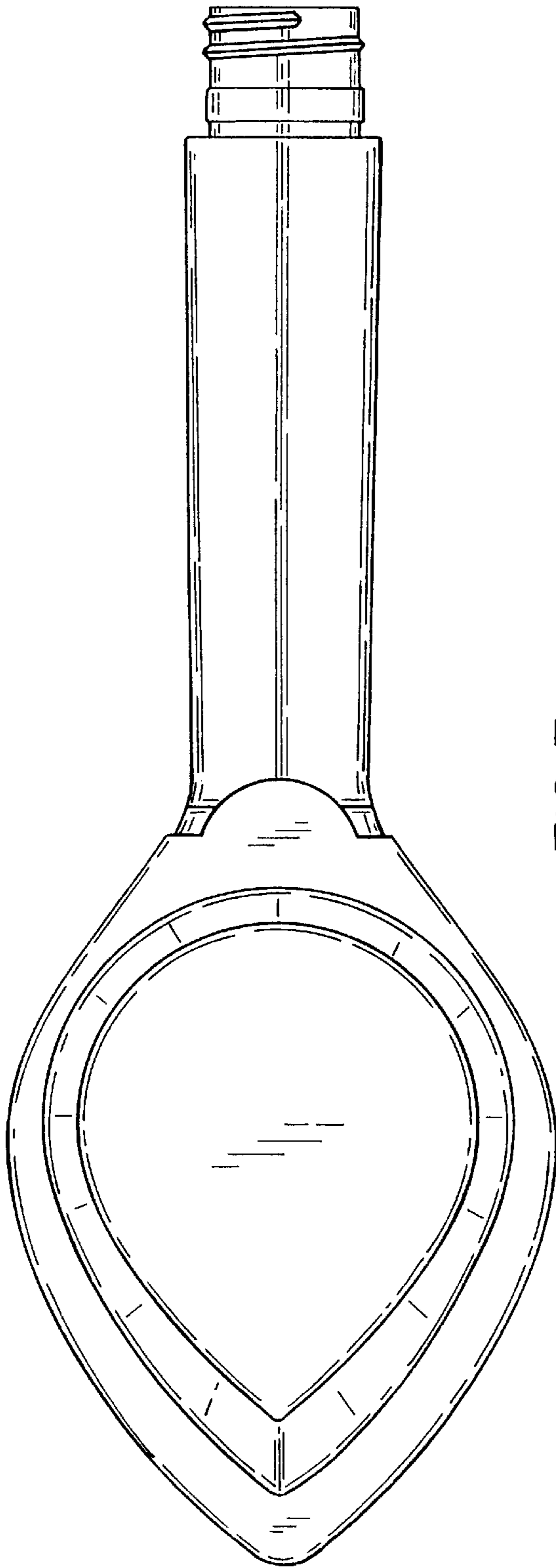


FIG. 7

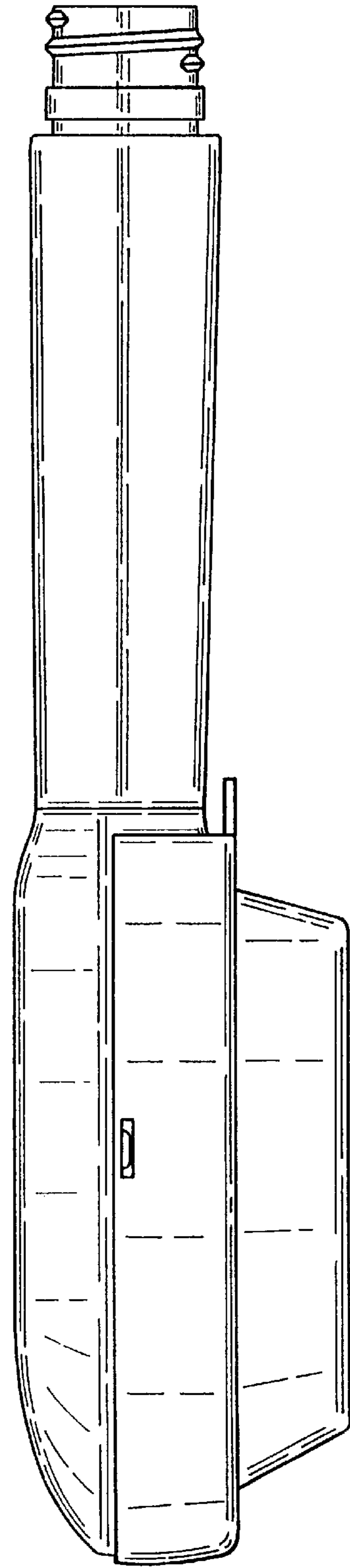


FIG. 8

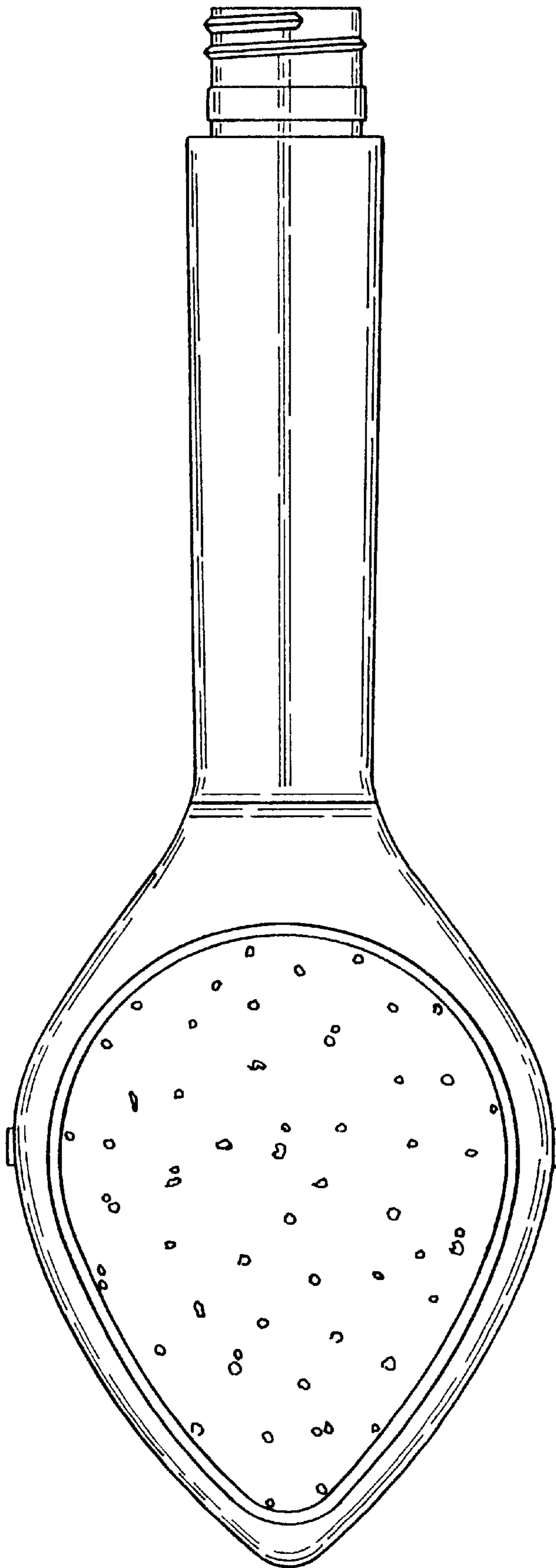


FIG. 9

