

US00D434523S

United States Patent [19] Ford

[11] Patent Number: **Des. 434,523**

[45] Date of Patent: **** Nov. 28, 2000**

[54] **SELF-CLEANING IONIZER**

[75] Inventor: **Joe Ford, Cary, Ill.**

[73] Assignee: **Kairos, L.L.C., Cary, Ill.**

[**] Term: **14 Years**

[21] Appl. No.: **29/119,429**

[22] Filed: **Feb. 29, 2000**

[51] **LOC (7) Cl.** **23-04**

[52] **U.S. Cl.** **D26/364**

[58] **Field of Search** D23/366, 355,
D23/364; D13/117; 361/231, 225, 229,
230

[56] **References Cited**

U.S. PATENT DOCUMENTS

Re. 34,346	8/1993	Foster, Jr. et al.	361/231
D. 351,902	10/1994	Shaw	D23/364
D. 357,311	4/1995	Yehl	D23/364
D. 373,416	9/1996	Ford et al.	D23/364
D. 374,713	10/1996	Ford et al.	D23/364
2,931,880	4/1960	Yaffe	219/19
2,942,090	6/1960	Diehl	219/19
3,522,935	8/1970	Lewis	261/30
4,227,894	10/1980	Proynoff	55/126
4,376,642	3/1983	Verity	55/105
4,380,720	4/1983	Fleck	315/111.91
4,643,745	2/1987	Sakakibara et al.	55/137
4,713,724	12/1987	Voelkel	361/231

4,811,159	3/1989	Foster, Jr.	361/231
5,055,963	10/1991	Partridge	361/231
5,153,811	10/1992	Rodrigo et al.	361/231
5,535,089	7/1996	Ford et al.	361/231

FOREIGN PATENT DOCUMENTS

61090/90	2/1981	Australia	B03C 3/38
0558090-A2	9/1993	European Pat. Off.	B03C 3/38
2117676	10/1983	United Kingdom	B03C 3/32
WO96/11745	4/1996	WIPO	B03C 3/00

Primary Examiner—Lisa Lichtenstein
Attorney, Agent, or Firm—Welsh & Katz, Ltd.; Thomas W. Tolpin

[57] **CLAIM**

The ornamental design for a self-cleaning ionizer, substantially as shown.

DESCRIPTION

FIG. 1 is a top perspective view of a self-cleaning ionizer showing my new design;
FIG. 2 is a left side view thereof;
FIG. 3 is a perspective view thereof as viewed from the bottom and back;
FIG. 4 is a right side view thereof;
FIG. 5 is a front view thereof;
FIG. 6 is a bottom view thereof;
FIG. 7 is a top view thereof; and,
FIG. 8 is a back view thereof.

1 Claim, 4 Drawing Sheets

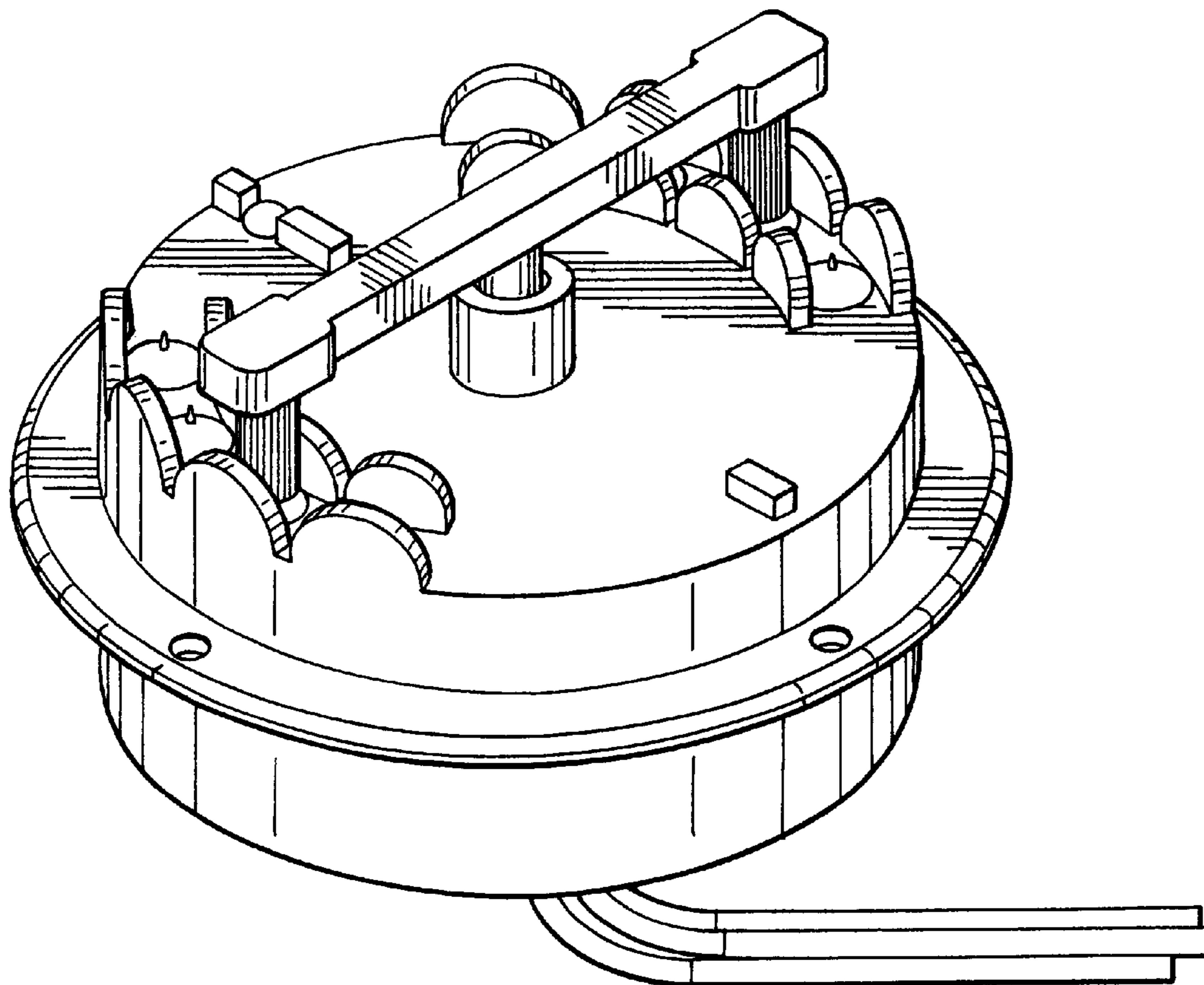


FIG. 1

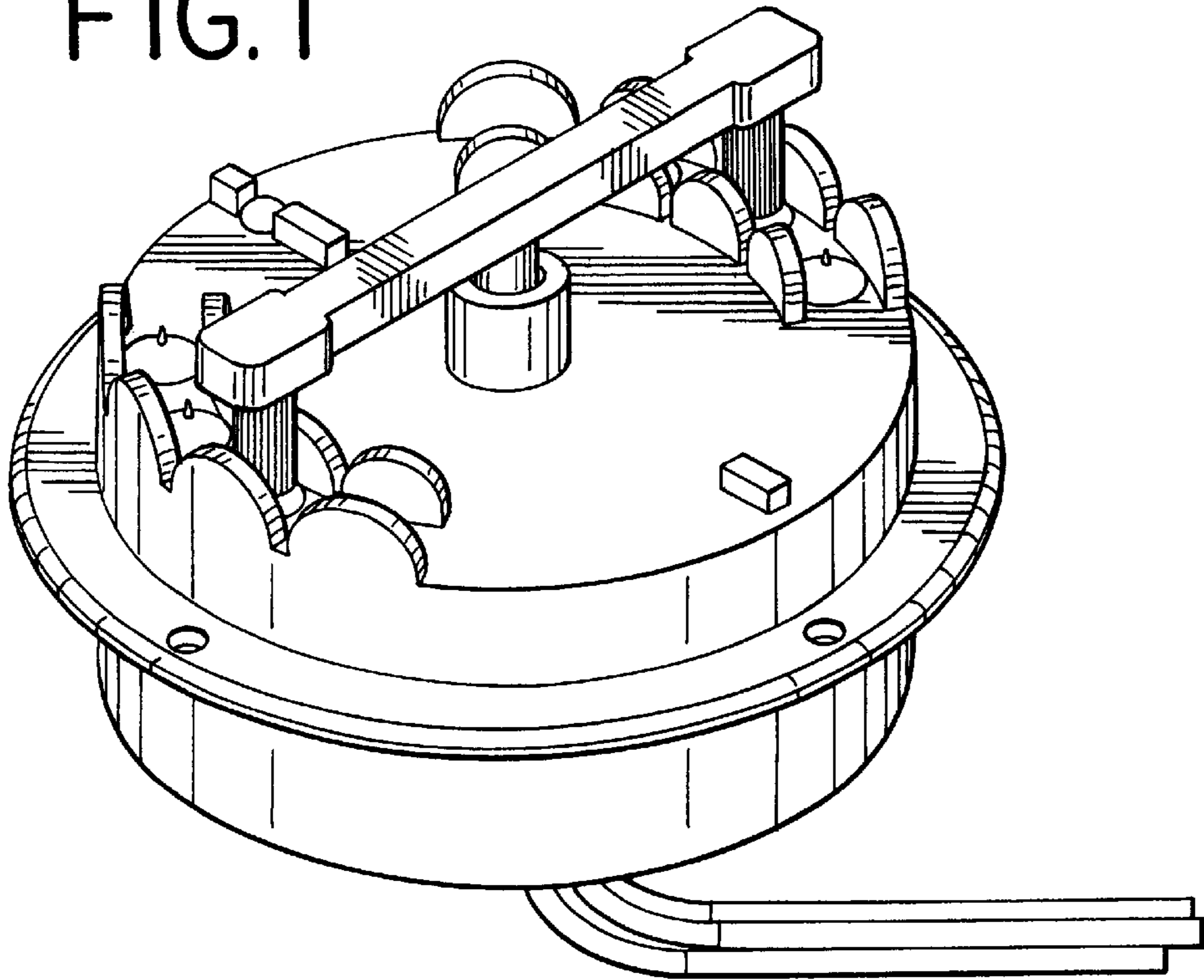


FIG. 2

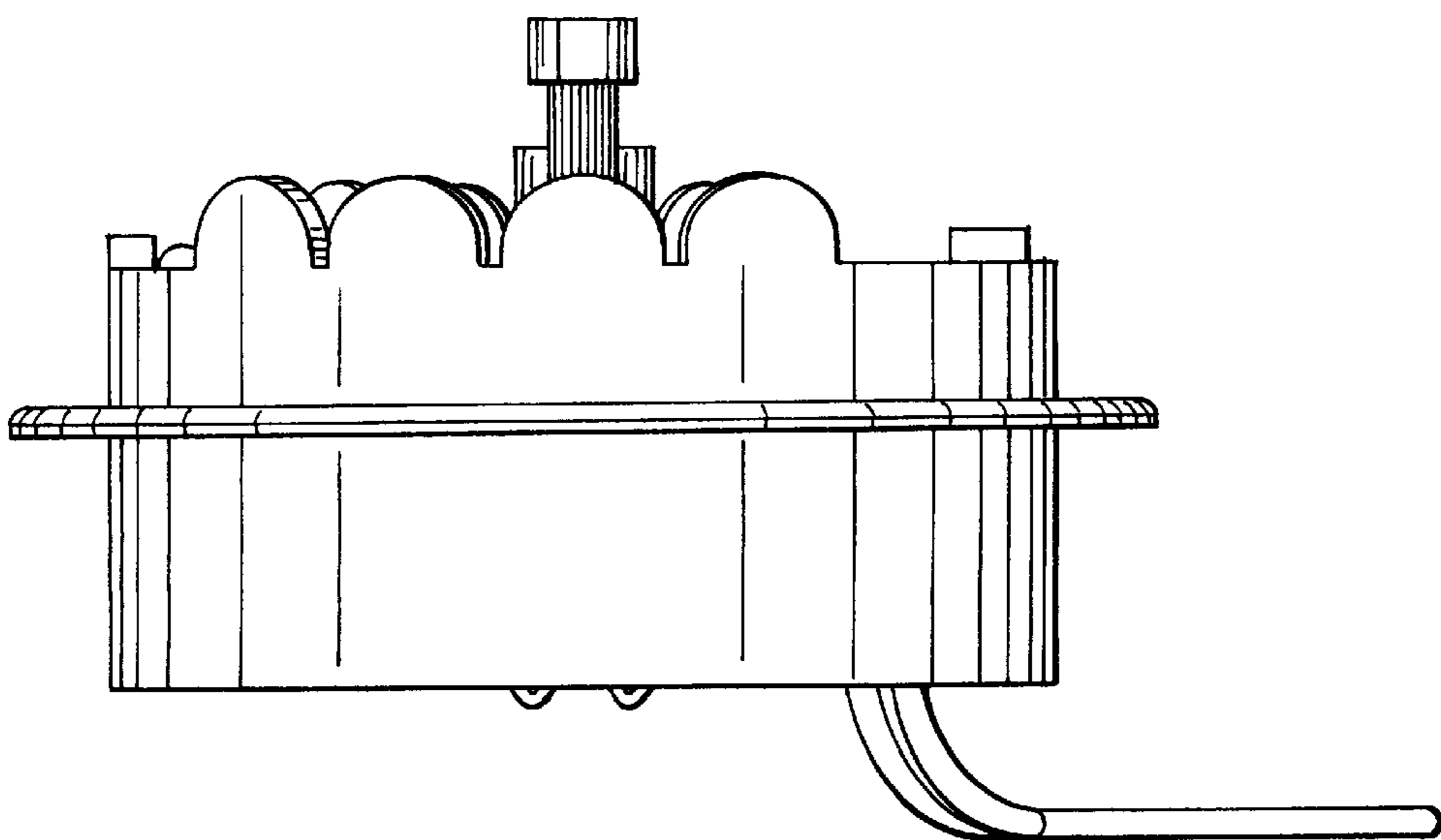


FIG.3

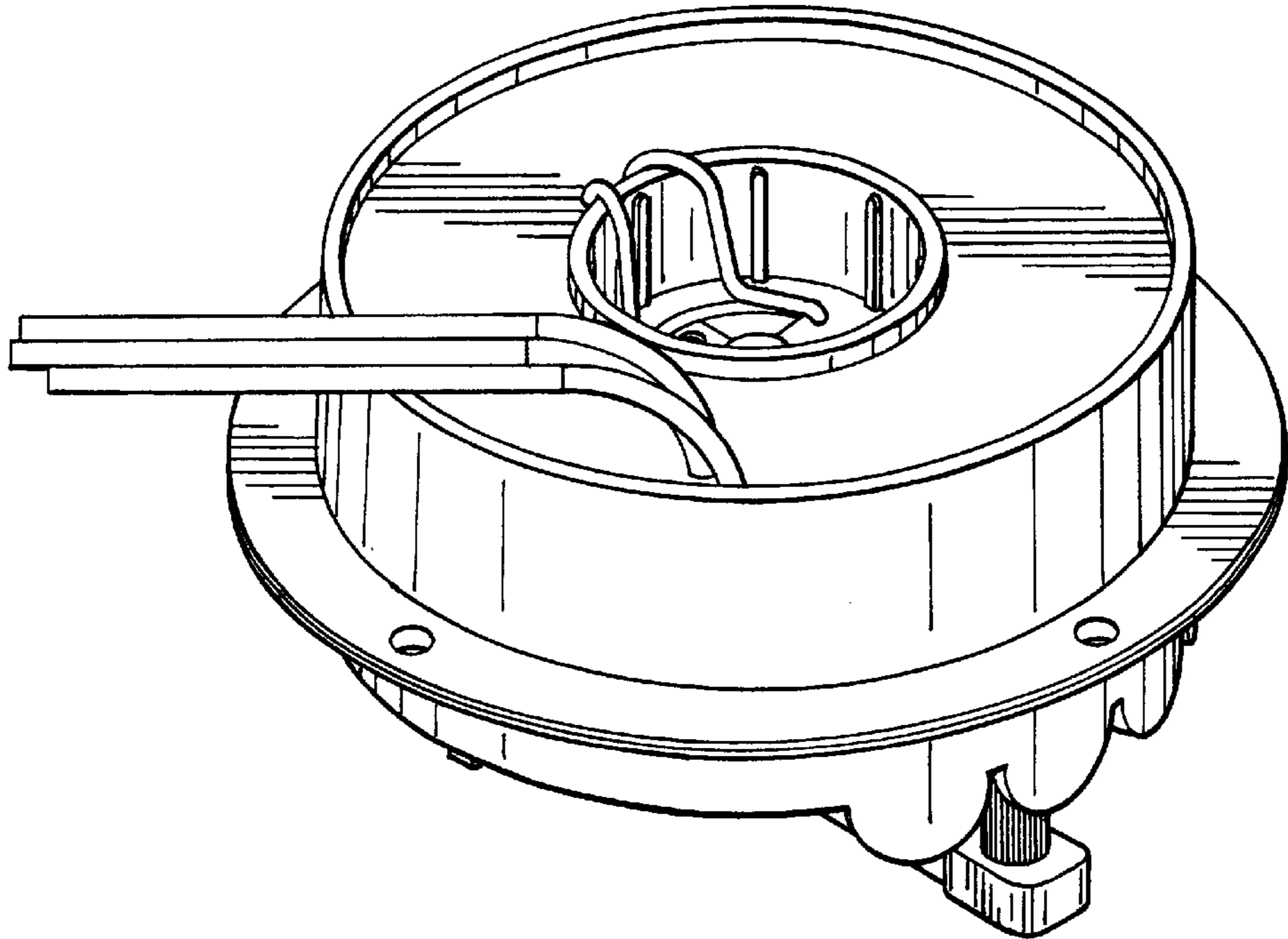


FIG.4

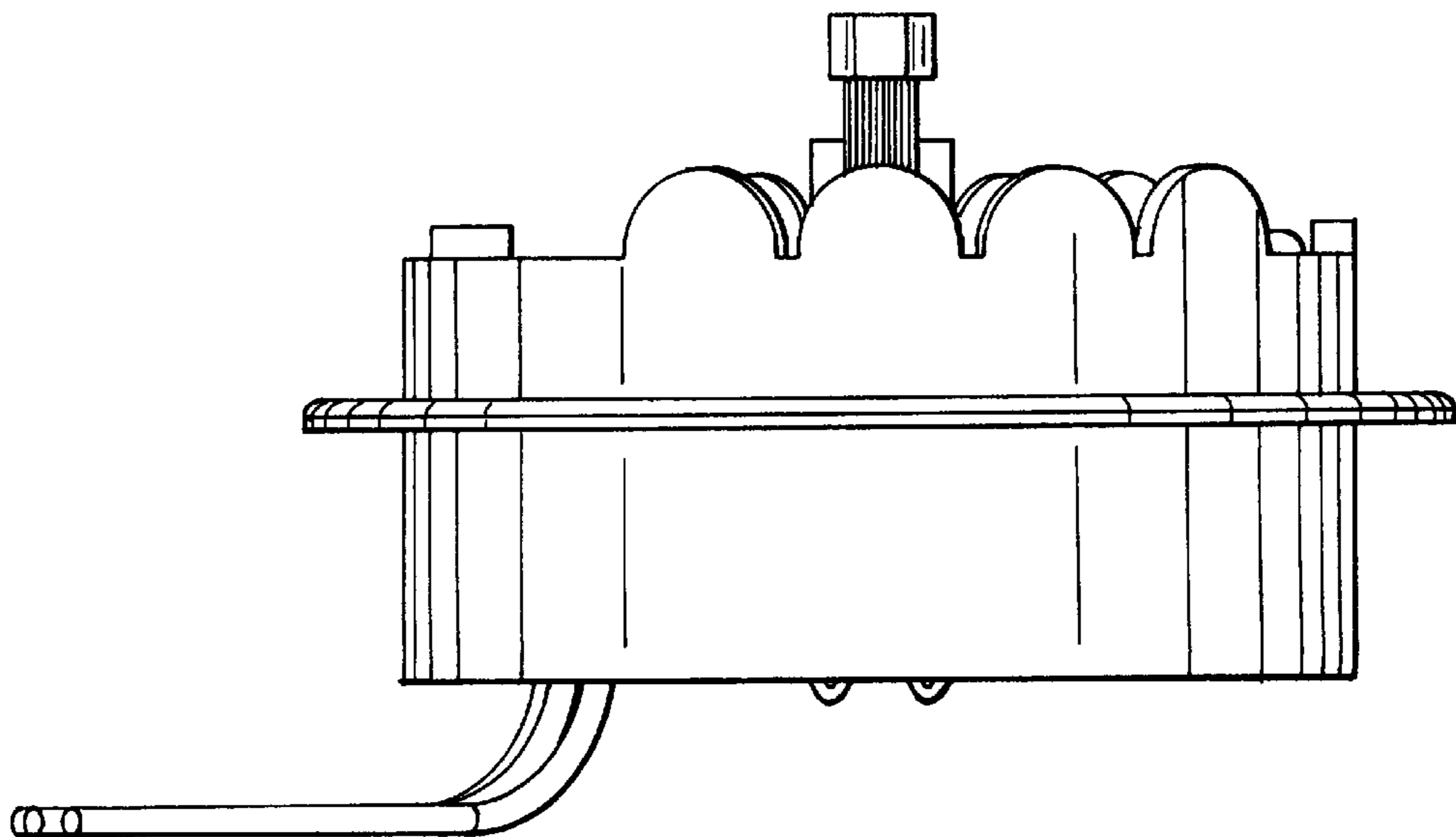


FIG.5

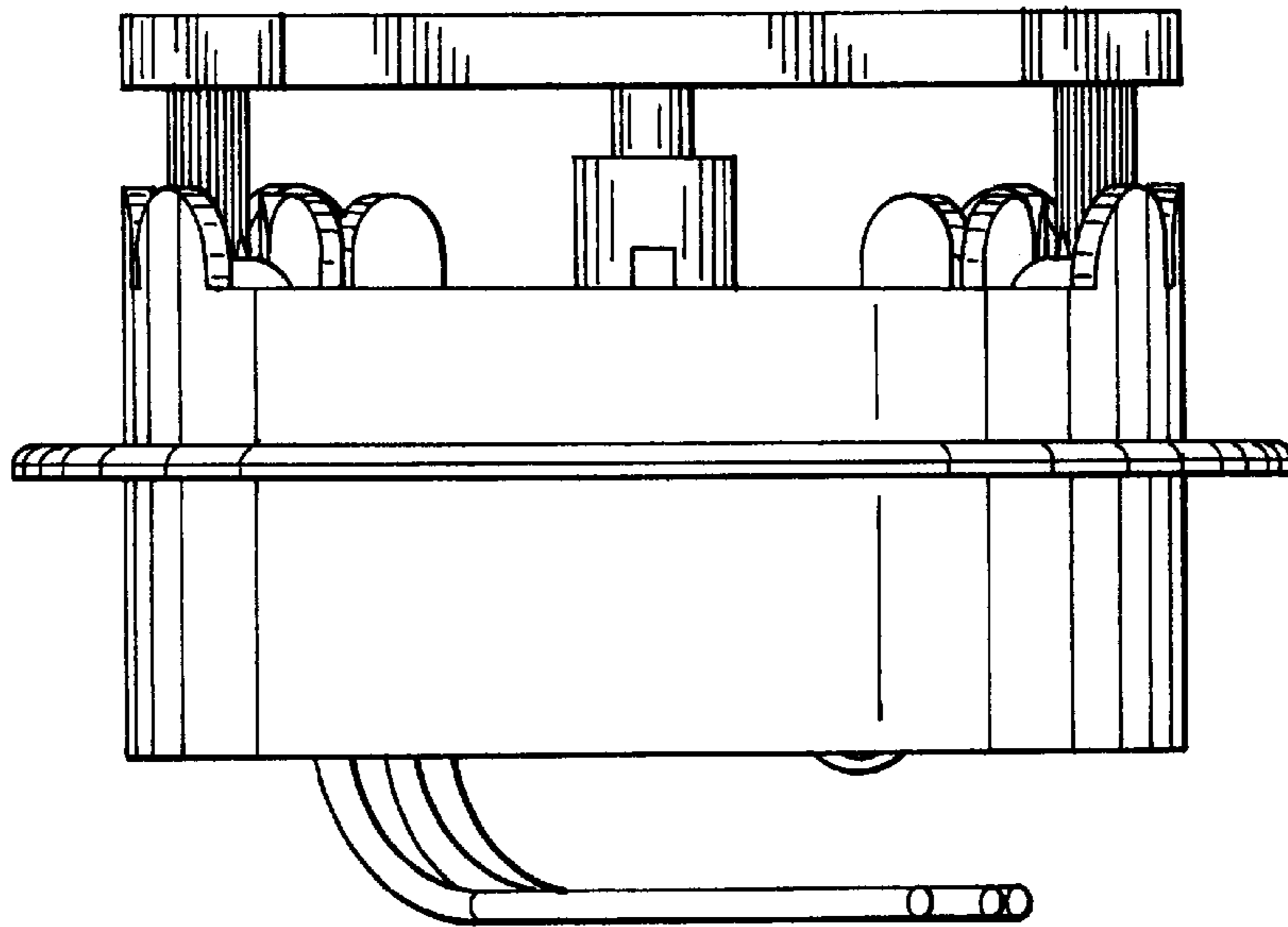


FIG.6

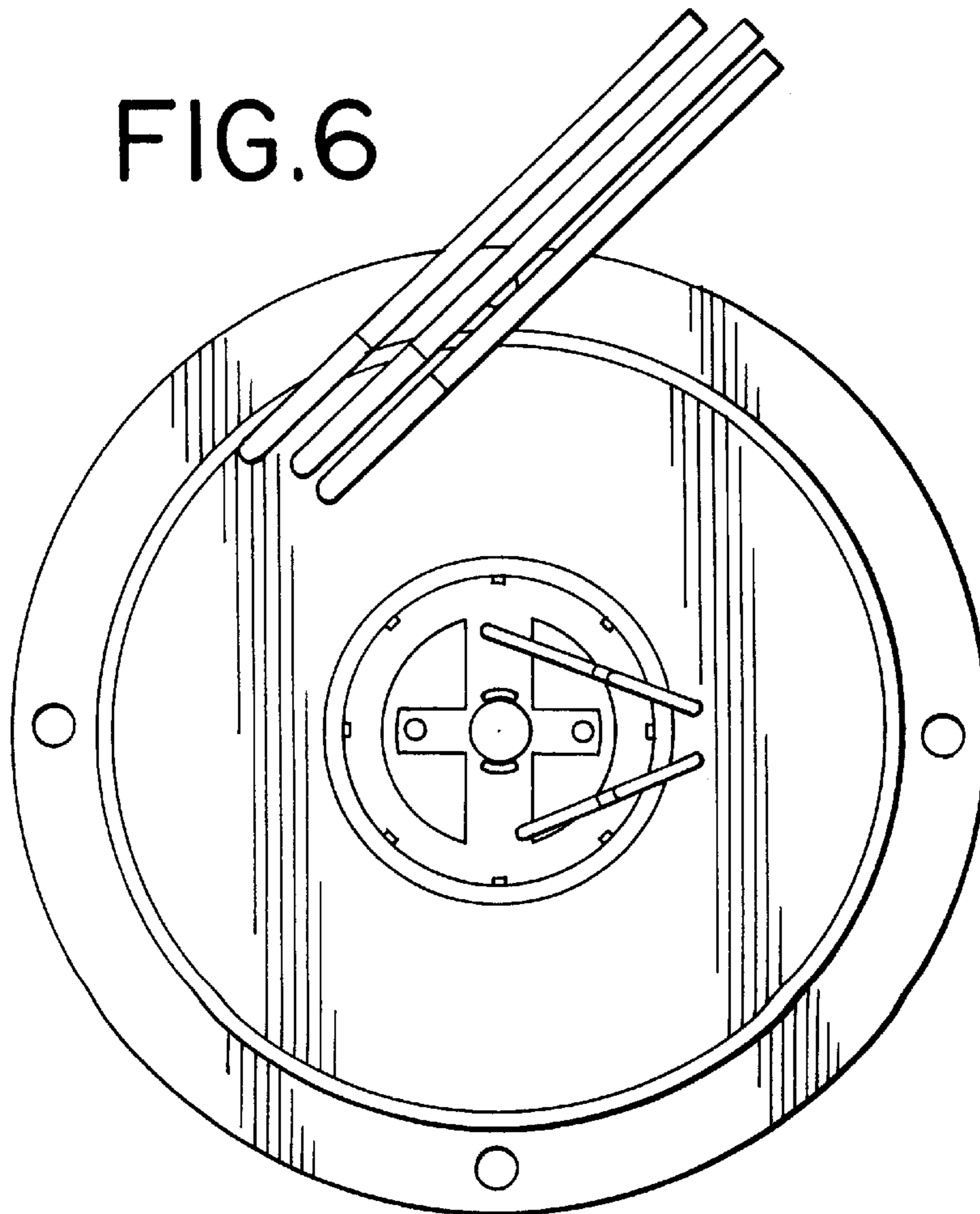


FIG.7

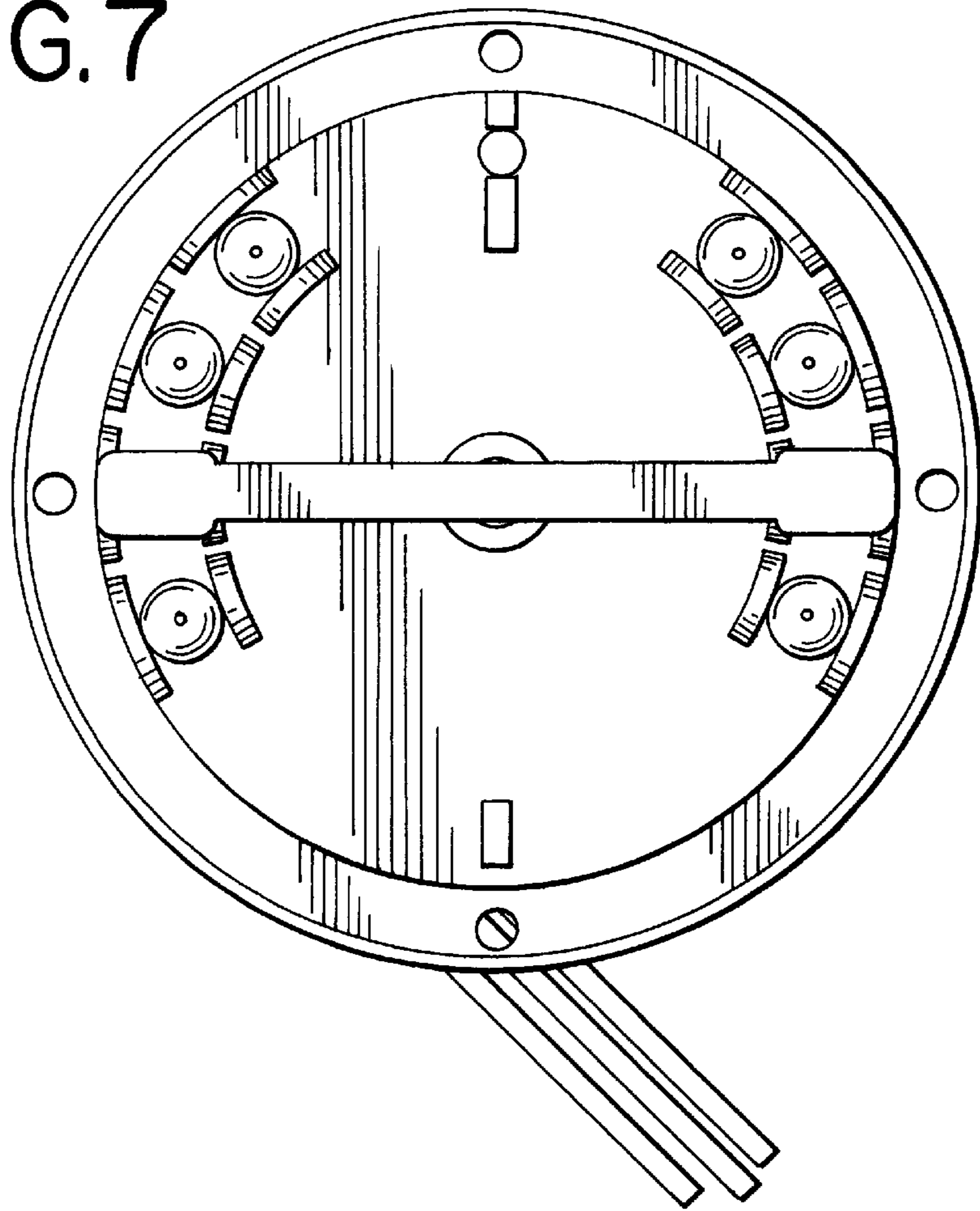


FIG.8

