



US00D434520S

United States Patent [19]
Milicia

[11] **Patent Number: Des. 434,520**

[45] **Date of Patent: ** Nov. 28, 2000**

[54] **GLASS SHADE**

[75] Inventor: **Libbe A. Milicia**, North Royalton, Ohio

[73] Assignee: **The L. D. Kichler Co.**, Cleveland, Ohio

[**] Term: **14 Years**

[21] Appl. No.: **29/110,933**

[22] Filed: **Sep. 16, 1999**

[51] **LOC (7) Cl.** **26-05**

[52] **U.S. Cl.** **D26/129**

[58] **Field of Search** D26/128-137,
D26/85, 88; 362/326, 329, 334, 335, 347,
350, 363, 337, 338, 339, 340, 351, 355

[56] **References Cited**

U.S. PATENT DOCUMENTS

D. 350,832	9/1994	Porter	D26/133
D. 370,294	5/1996	Jen	D26/134
D. 371,627	7/1996	Jaspers-Fayer	D26/133
D. 373,216	8/1996	Jen	D26/133
D. 391,667	3/1998	Miranda	D26/133
D. 416,352	11/1999	Hsu	D26/134

Primary Examiner—Susan J. Lucas

Attorney, Agent, or Firm—Watts, Hoffmann, Fisher & Heinke, Co., L.P.A.

[57] **CLAIM**

I claim the ornamental design for a glass shade, as shown and described.

DESCRIPTION

FIG. 1 is a perspective view of a glass shade showing my new design;

FIG. 2 is a front elevational view of the glass shade, the rear, right and left side elevational views being identical;

FIG. 3 is top plan view of the glass shade;

FIG. 4 is a bottom plan view of the glass shade;

FIG. 5 is a perspective view of the second embodiment of the glass shade showing my new design;

FIG. 6 is a front elevational view of the second embodiment of the glass shade, the rear, right and left side elevational views being identical;

FIG. 7 is a top plan view of the second embodiment of the glass shade; and,

FIG. 8 is a bottom plan view of the second embodiment of the glass shade.

The broken lines shown are for illustrative purposes only and form no part of the claimed design.

1 Claim, 6 Drawing Sheets



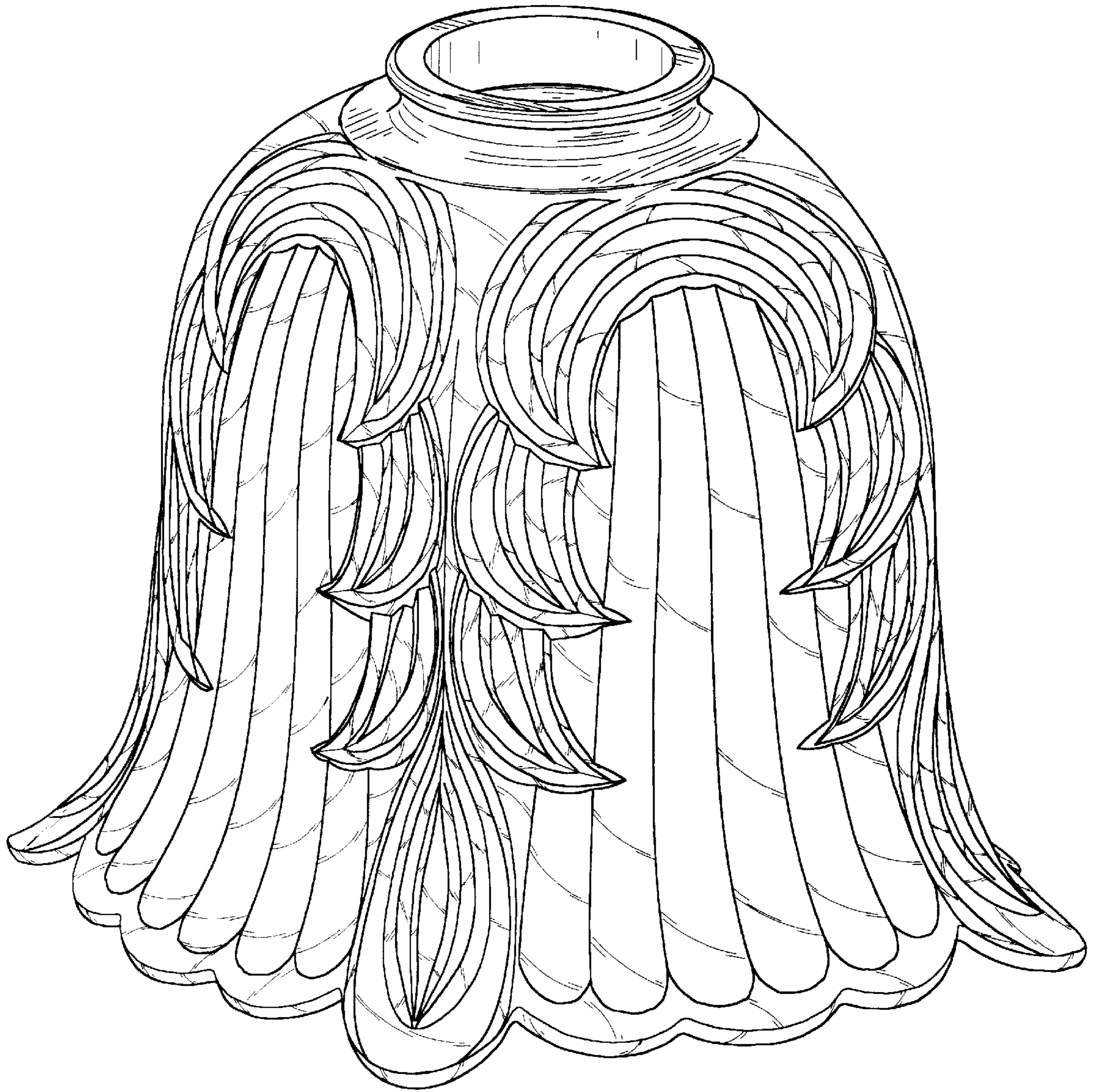


Fig.1

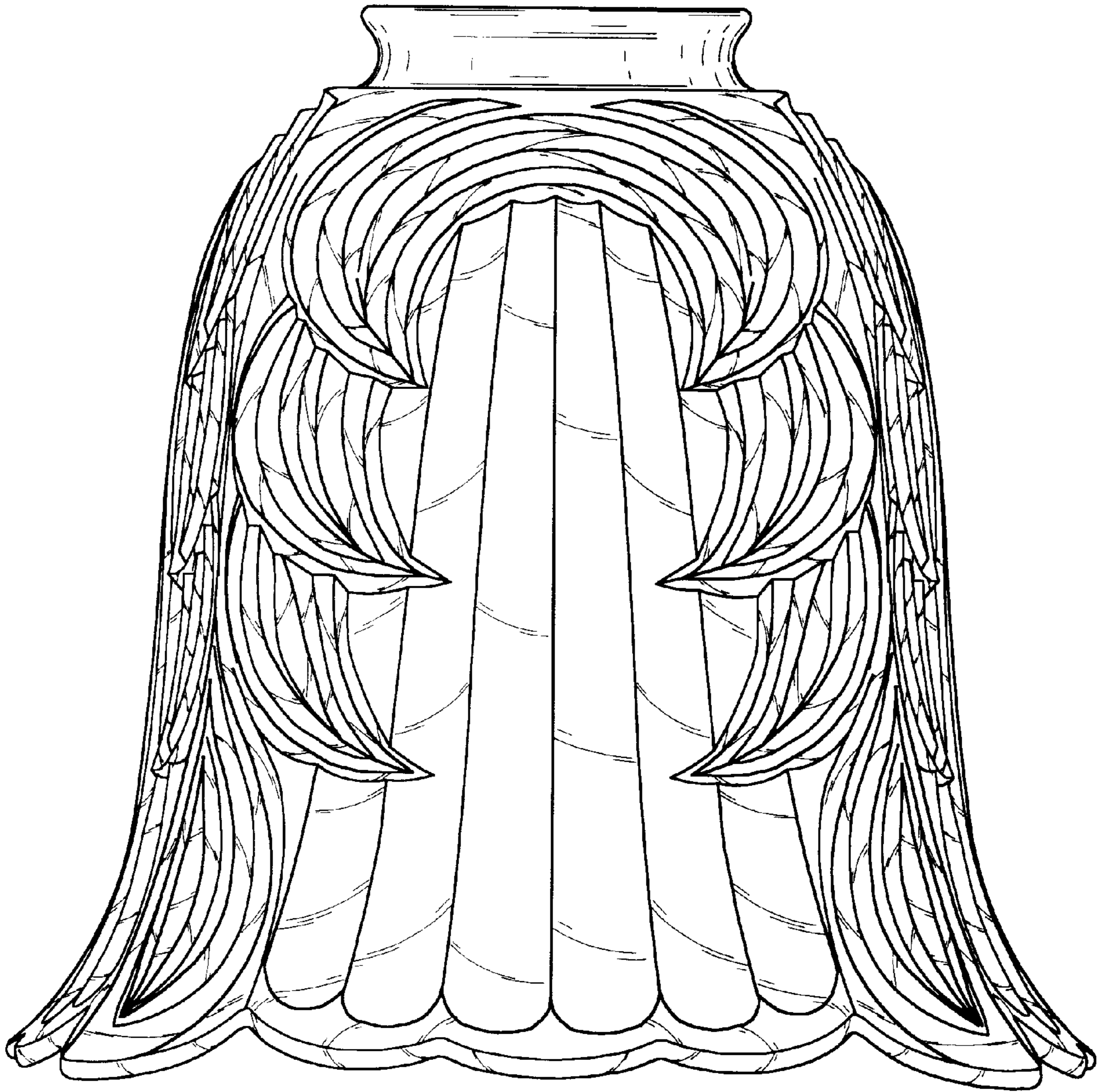


Fig.2

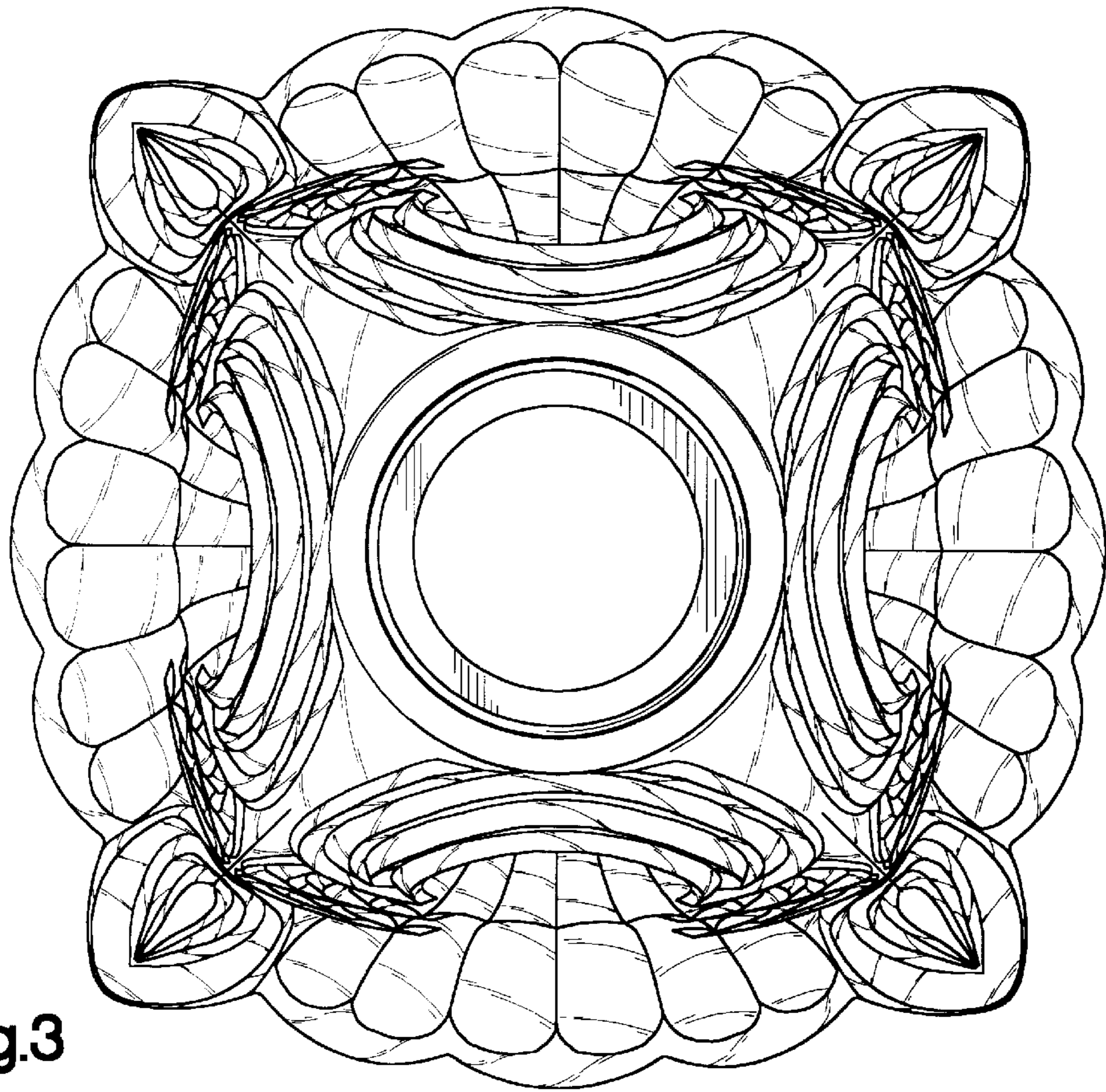


Fig.3

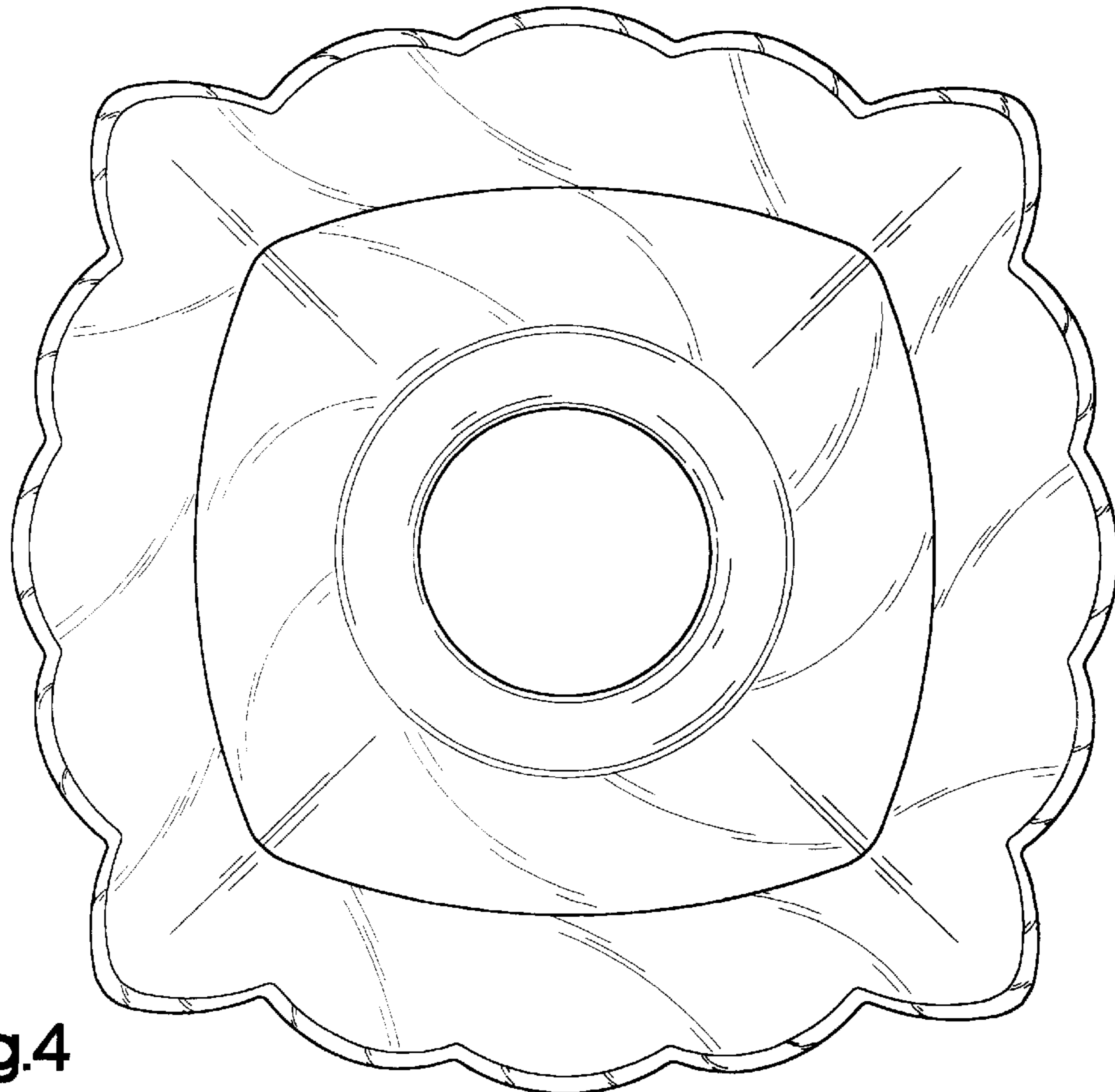


Fig.4

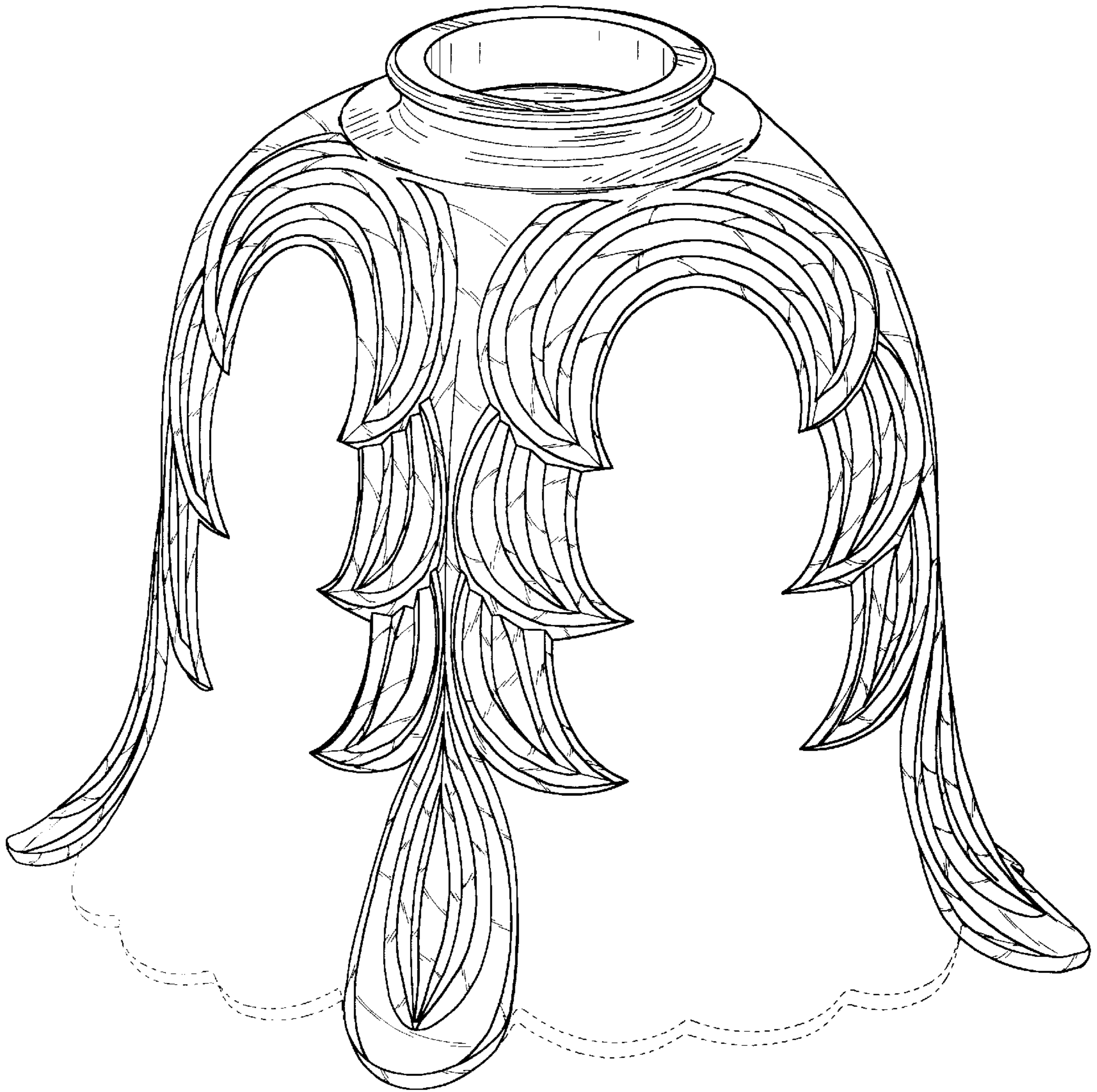


Fig.5

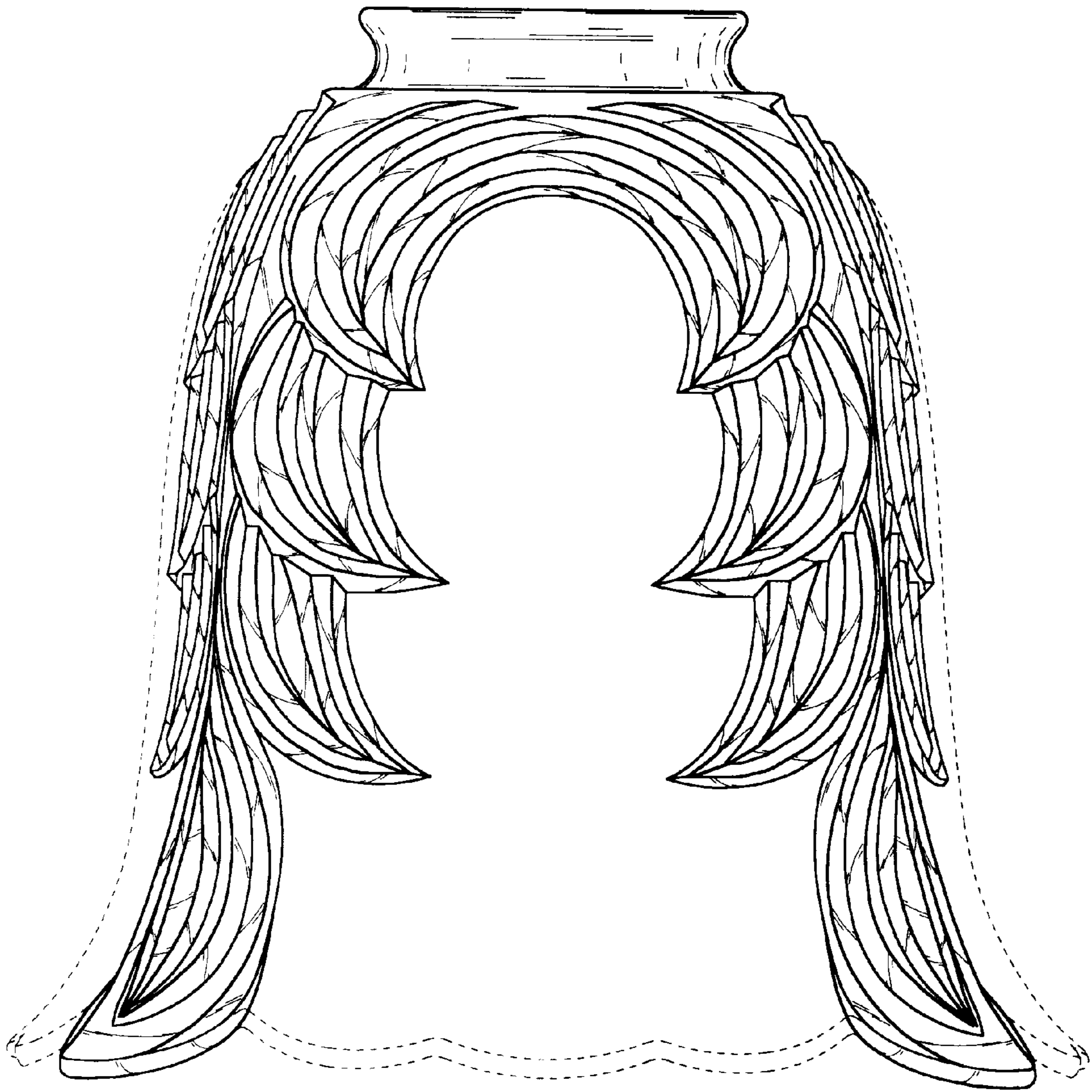


Fig.6

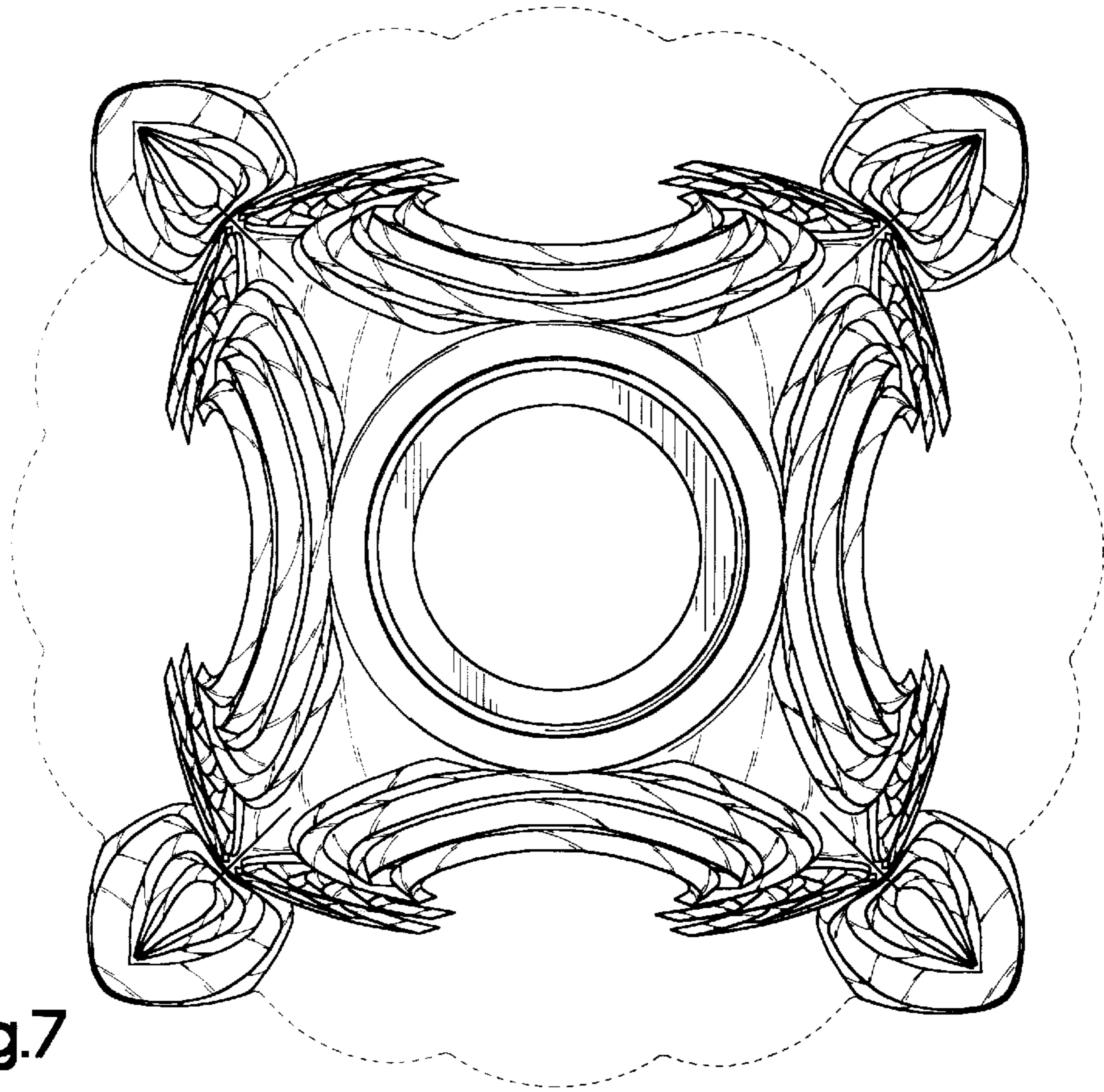


Fig.7

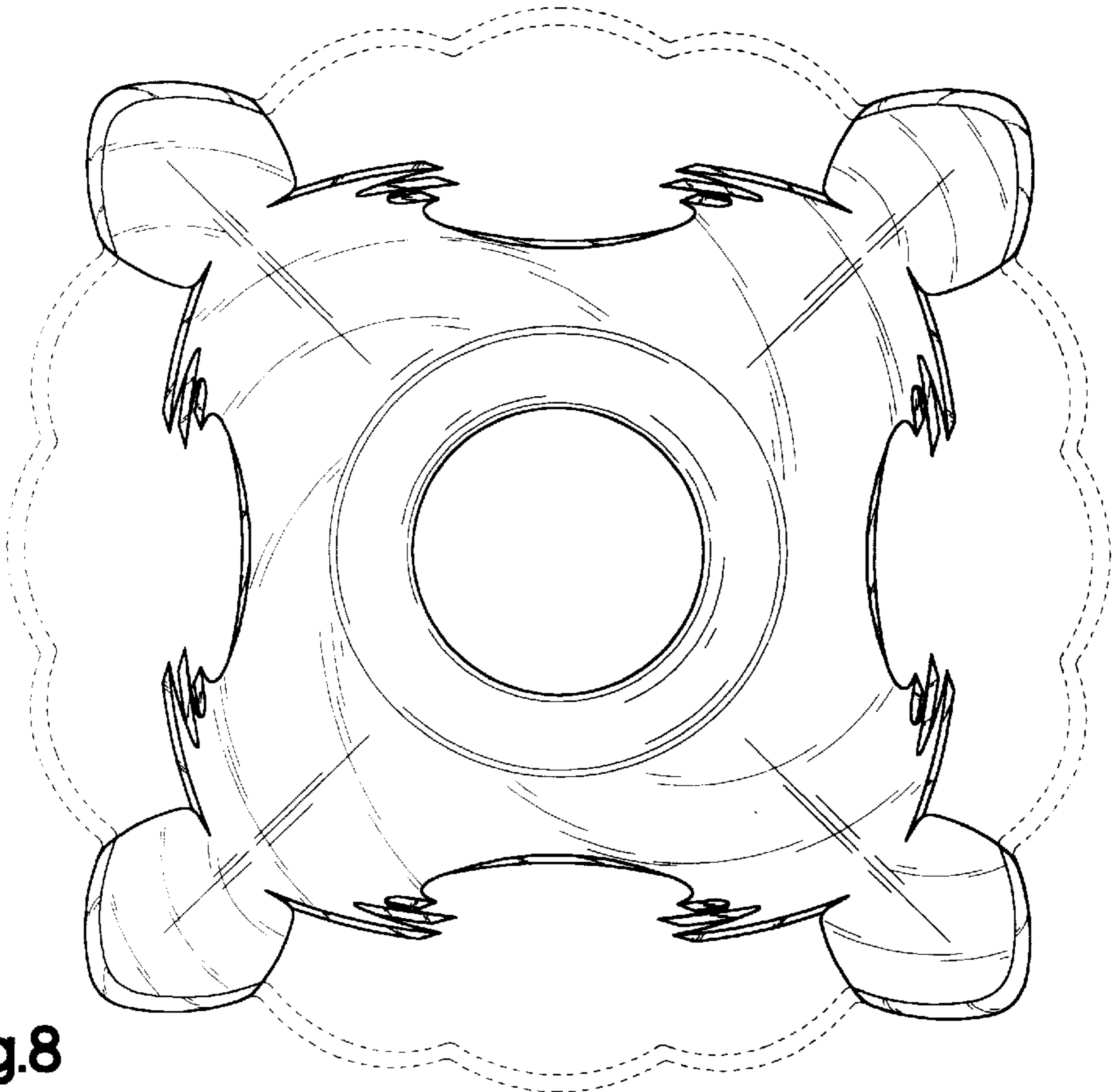


Fig.8