



US00D434519S

United States Patent [19]

Herst et al.

[11] **Patent Number: Des. 434,519**

[45] **Date of Patent: ** Nov. 28, 2000**

[54] END CAP FOR A LUMINAIRE HOUSING

[75] Inventors: **Douglas J. Herst, Ross; Utkan Salman**, Oakland, both of Calif.

[73] Assignee: **NSI Enterprises, Inc.**, Atlanta, Ga.

[**] Term: **14 Years**

[21] Appl. No.: **29/118,460**

[22] Filed: **Feb. 8, 2000**

[51] **LOC (7) Cl.** **26-99**

[52] **U.S. Cl.** **D26/113; D26/76**

[58] **Field of Search** **D26/75-78; 362/216, 362/217, 218, 219, 220, 221, 222, 223, 224, 225**

[56] **References Cited**

U.S. PATENT DOCUMENTS

D. 333,530	2/1993	Boundy	D26/76	X
D. 404,161	1/1999	Herst et al.	D26/76	
D. 405,908	2/1999	Herst et al.	D26/76	

OTHER PUBLICATIONS

Lighting magazine, Feb. 1959, p. 29 MUS fluorescent light. Peerless catalog, 9x3 Rounded Lightscreen Indirect/Open, 1995.

Primary Examiner—Susan J. Lucas
Attorney, Agent, or Firm—Donald L. Beeson

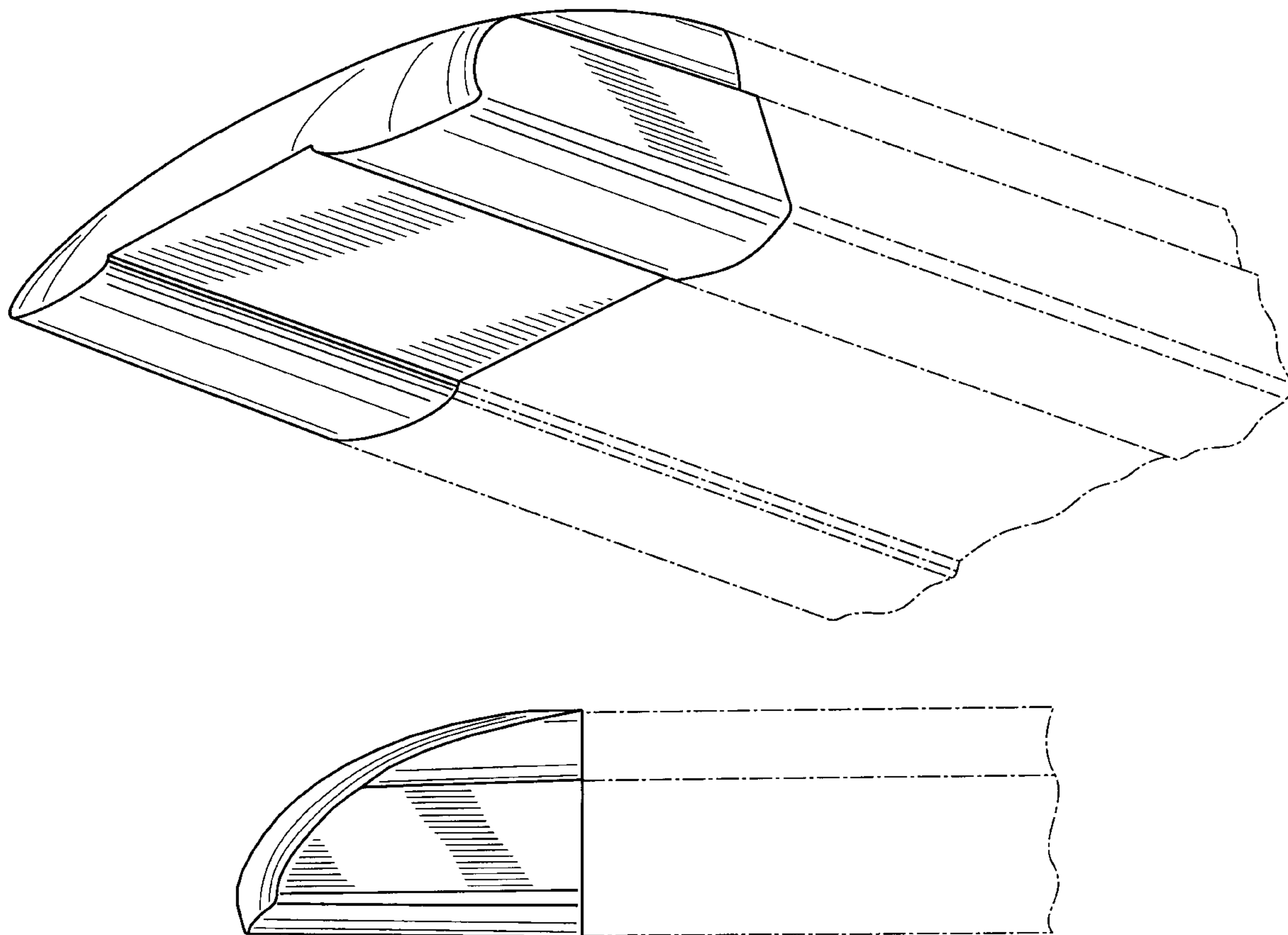
[57] **CLAIM**

The ornamental design for an end cap for a luminaire housing, as shown and described.

DESCRIPTION

FIG. 1 is a bottom perspective view of an end cap for a luminaire housing showing our new design; FIG. 2 is an enlarged bottom plan view thereof; FIG. 3 is an enlarged side elevational view thereof; FIG. 4 is an enlarged top plan view thereof; and, FIG. 5 is an enlarged end elevational view thereof. The broken lines are shown in FIGS. 1-4 for illustrative purposes only and indicate the nature and use our new design.

1 Claim, 3 Drawing Sheets



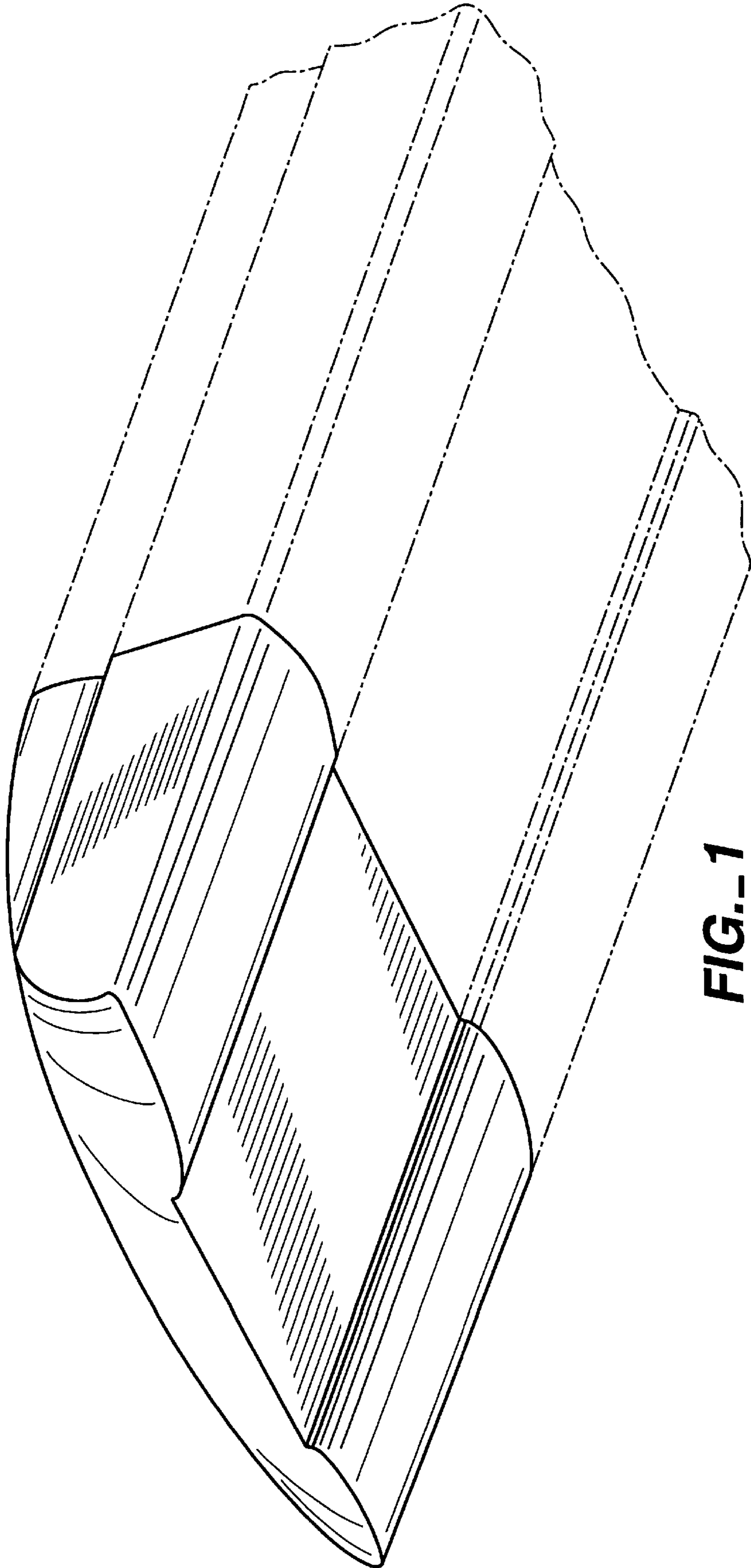


FIG.-1

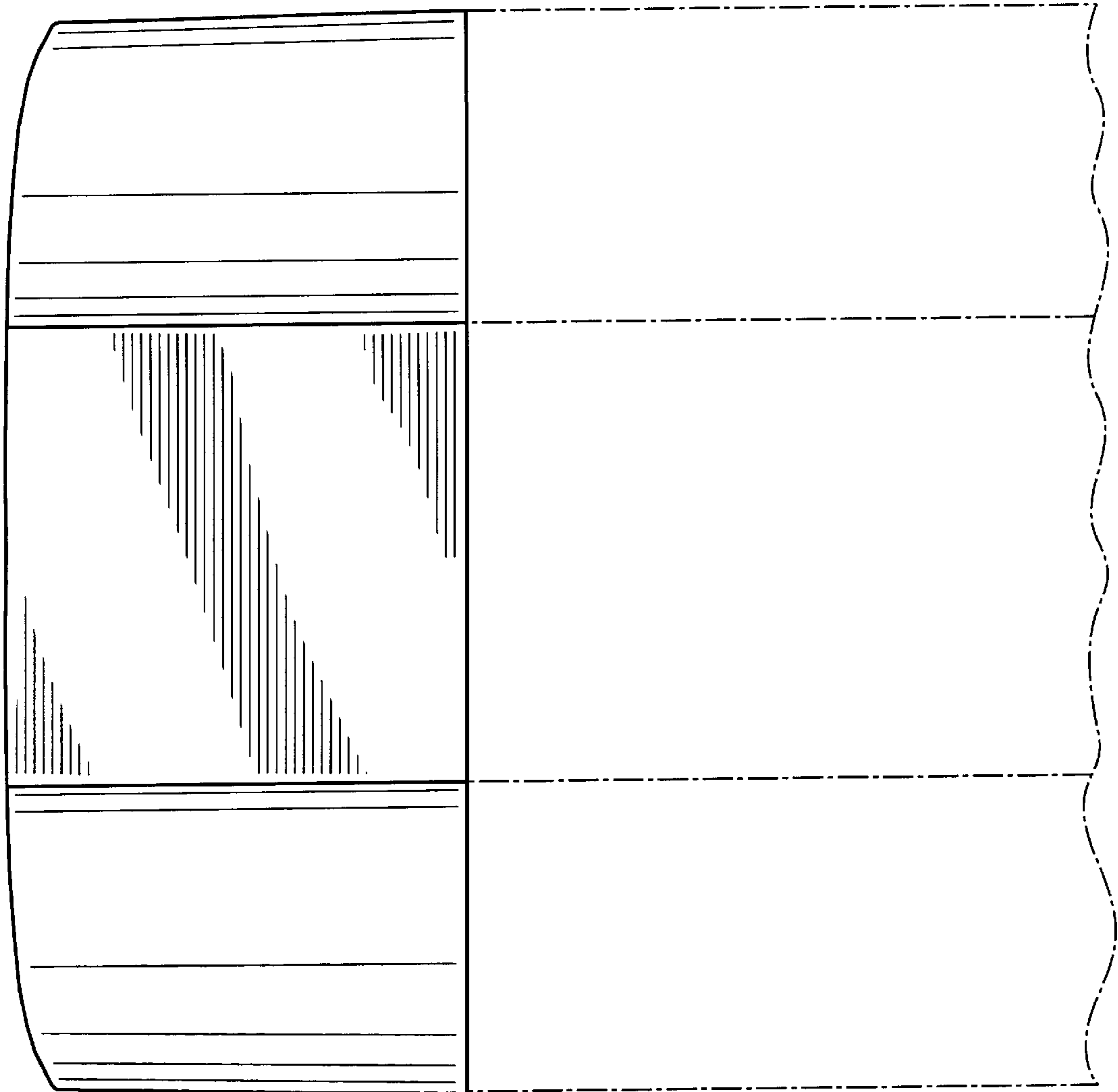


FIG. 2

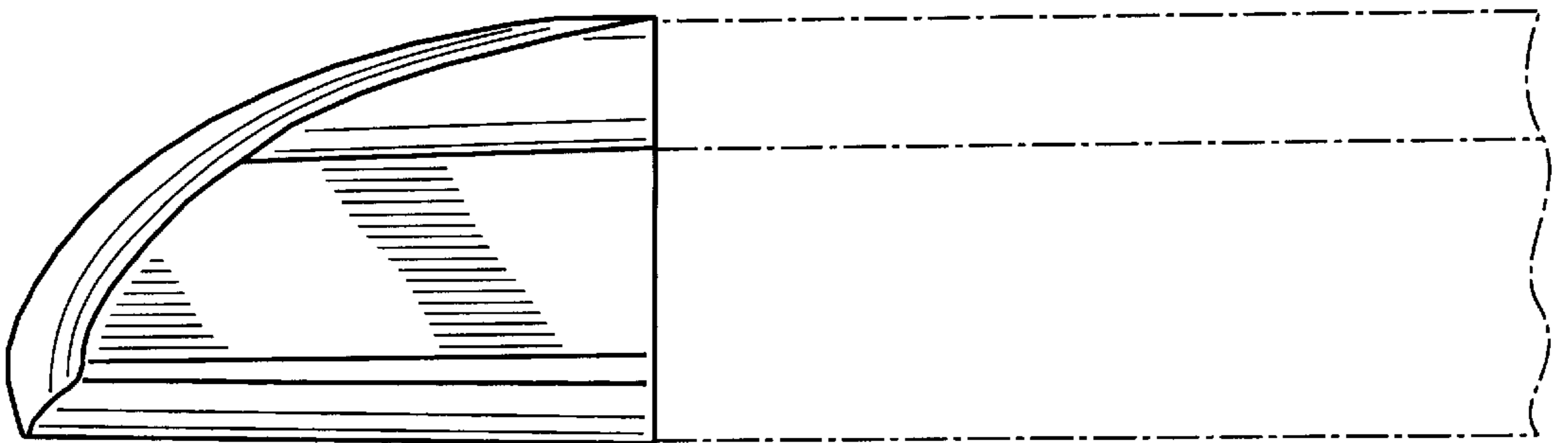


FIG. 3

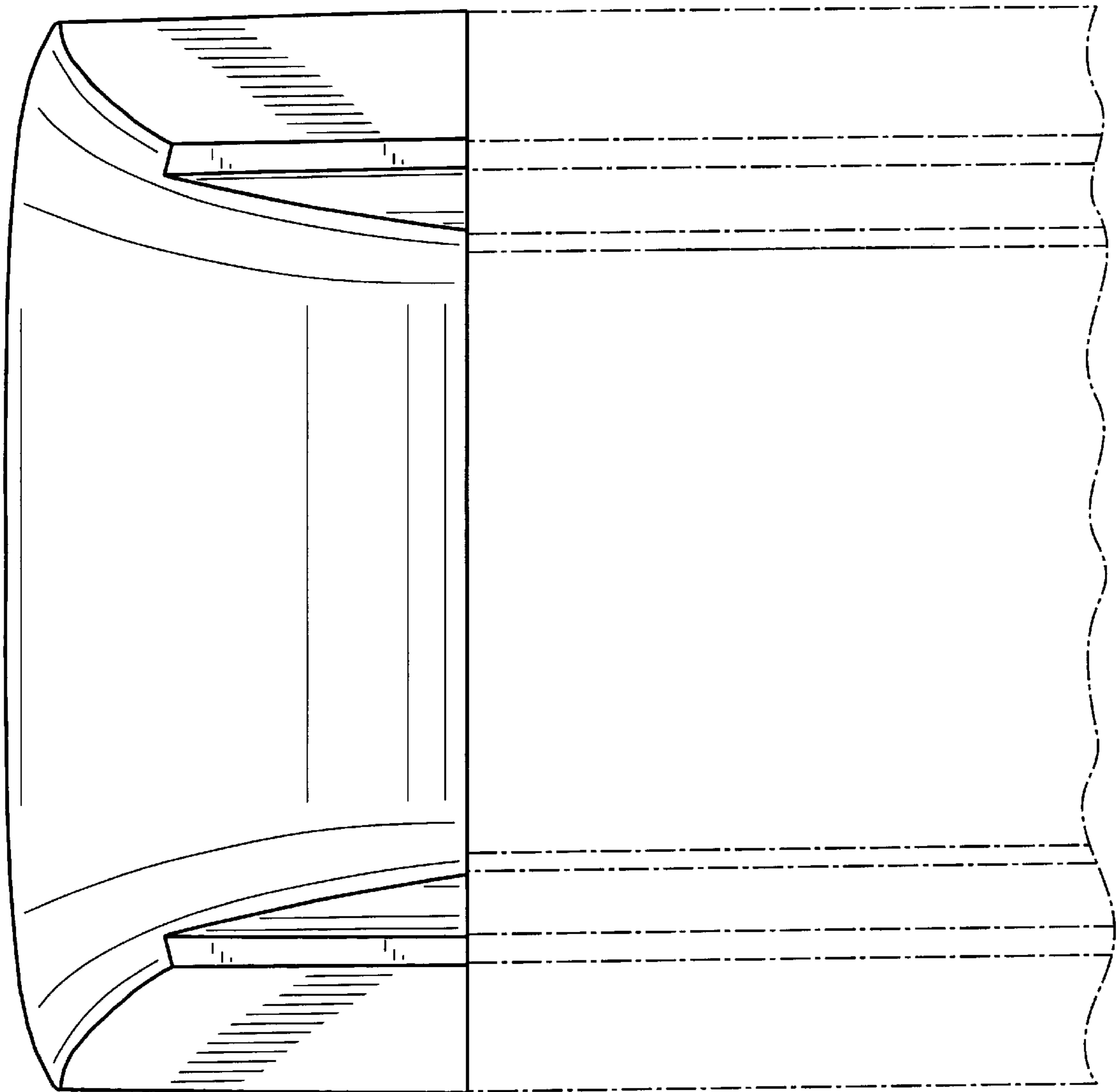


FIG. 4

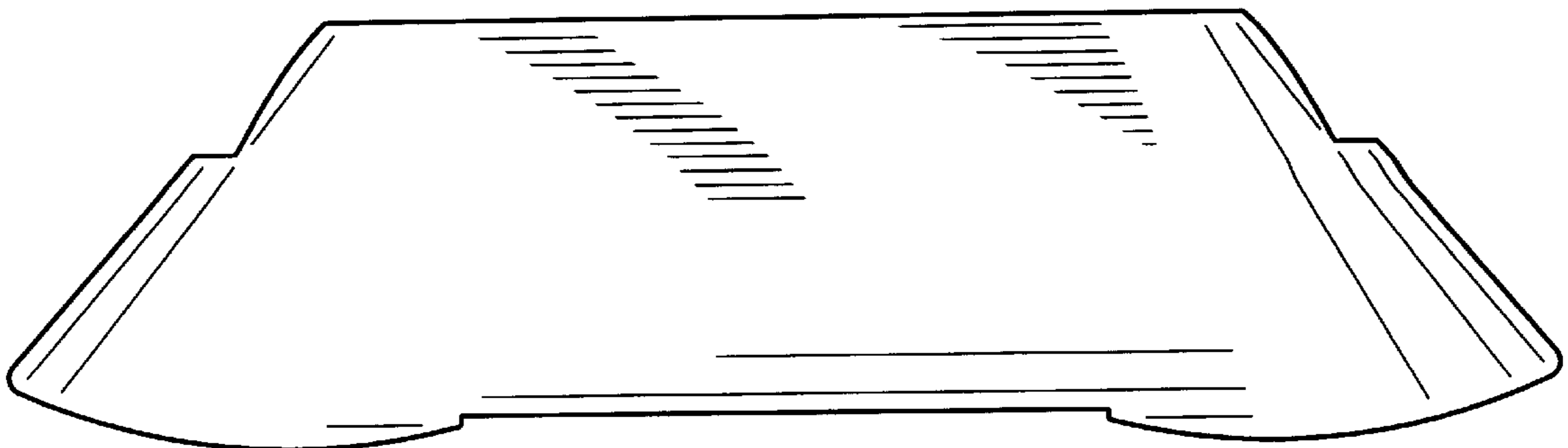


FIG. 5