



US00D434518S

United States Patent [19] Rivers

[11] **Patent Number: Des. 434,518**

[45] **Date of Patent: ** Nov. 28, 2000**

[54] **LAMP BASE**

[76] Inventor: **Crawford B Rivers**, 46441 Springwood Ct., Sterling, Va. 20165

[**] Term: **14 Years**

[21] Appl. No.: **29/121,312**

[22] Filed: **Apr. 6, 2000**

[51] **LOC (7) Cl.** **26-03**

[52] **U.S. Cl.** **D26/110; D26/142**

[58] **Field of Search** **D26/93, 102-113, D26/142; 326/410-414, 431**

[56] **References Cited**

PUBLICATIONS

George Kovacs Lighting Catalog, lamps on p. 24, 1987-1988.

Sonneman Lamp Catalog, lamp No. 7059 p. 52, 1973.

Bradley Table Lamps, square column lamp No. 2021, p. 4, 1951-1952.

Primary Examiner—Freda Nunn
Assistant Examiner—Linda Brooks
Attorney, Agent, or Firm—H. Jay Spiegel

[57] **CLAIM**

The ornamental design for a lamp base, as shown and described.

DESCRIPTION

FIG. 1 shows a perspective view of my claimed design.

FIG. 2 shows a side view of my claimed design, the other side being identical.

FIG. 3 shows a front view of my claimed design, the rear view being identical.

FIG. 4 shows a top view of my claimed design; and,

FIG. 5 shows a bottom view of my claimed design.

The broken line showing of a lamp shade is for illustrative purposes only and forms no part of the claimed design.

1 Claim, 3 Drawing Sheets

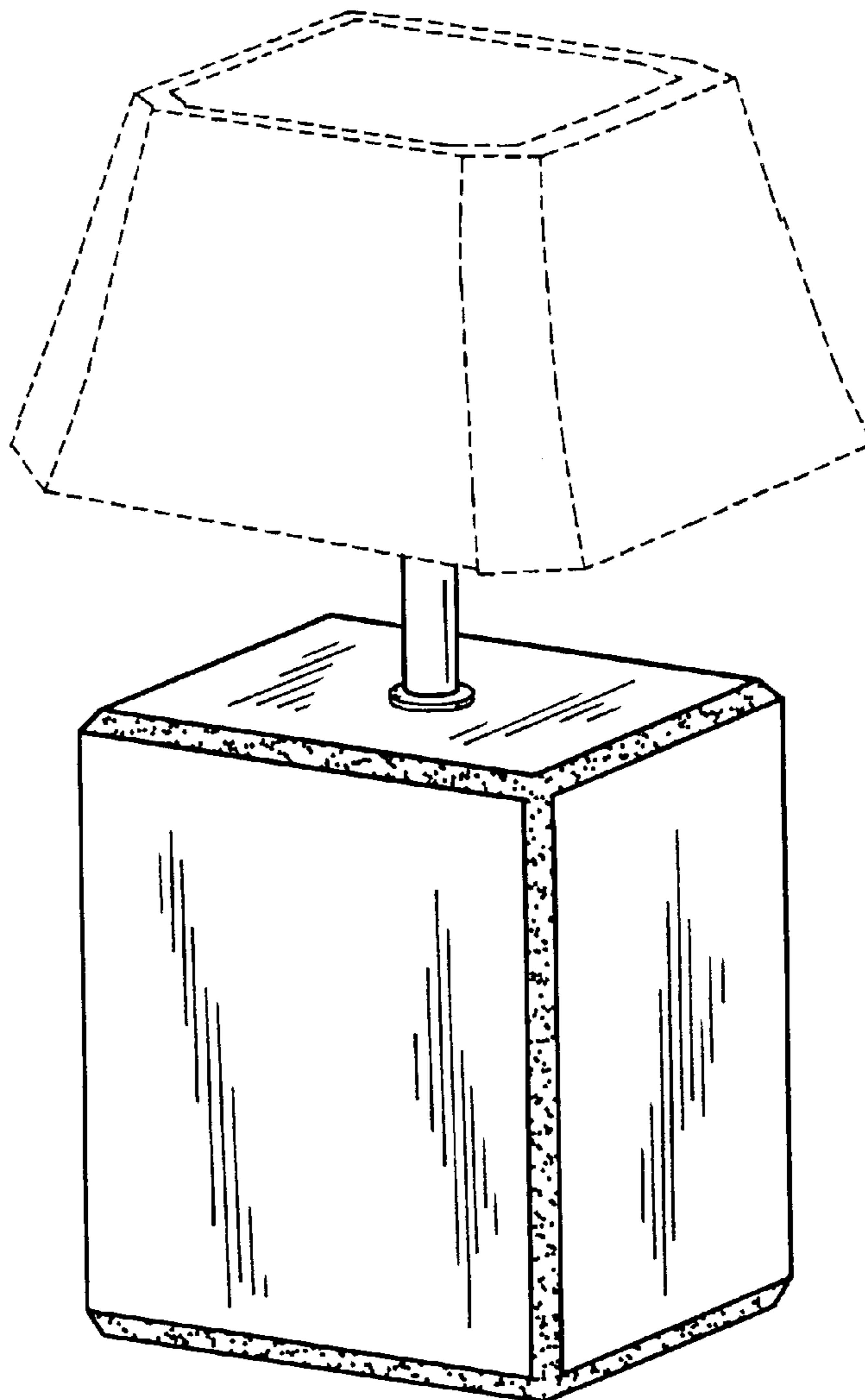


FIG. 1

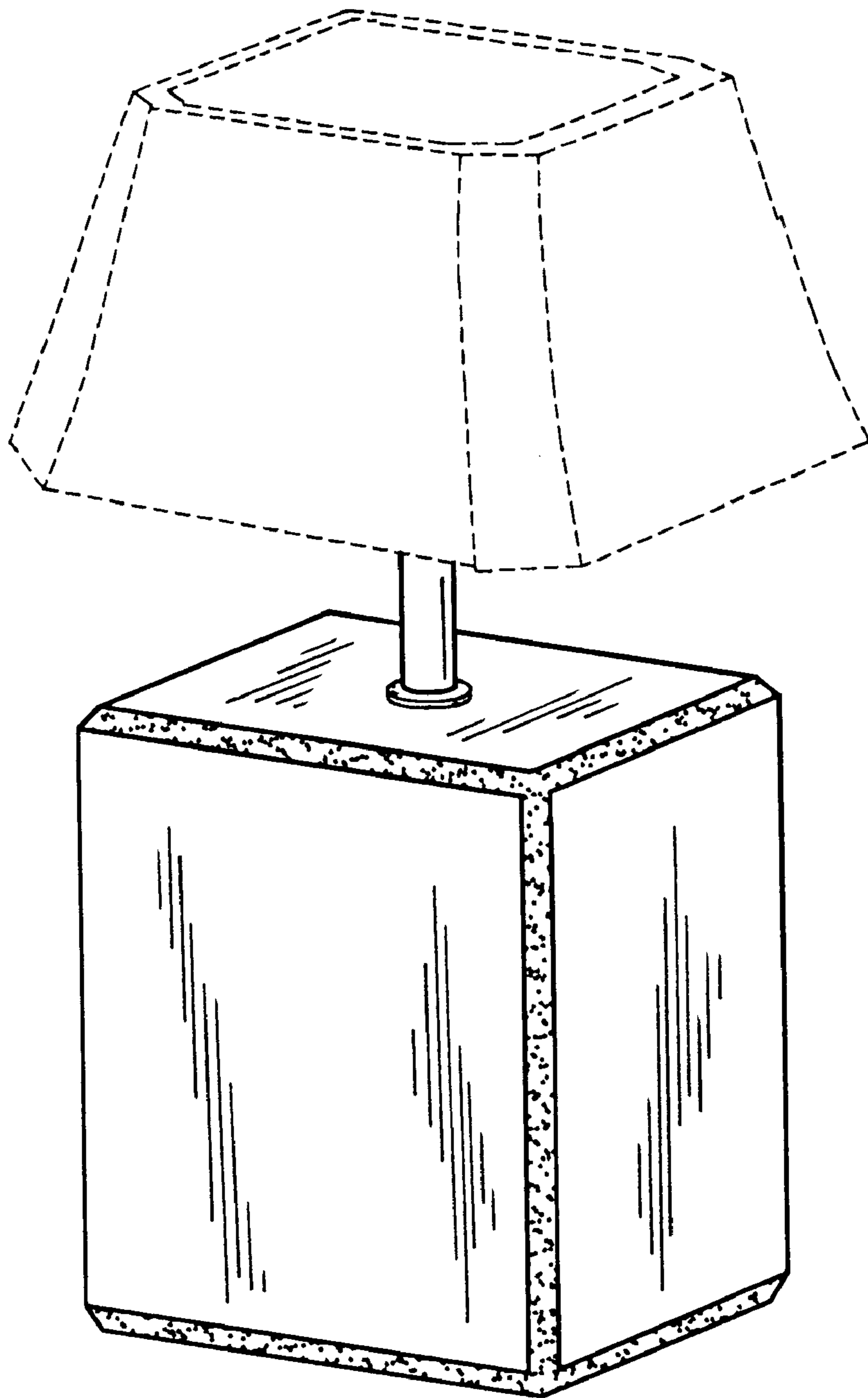


FIG. 2

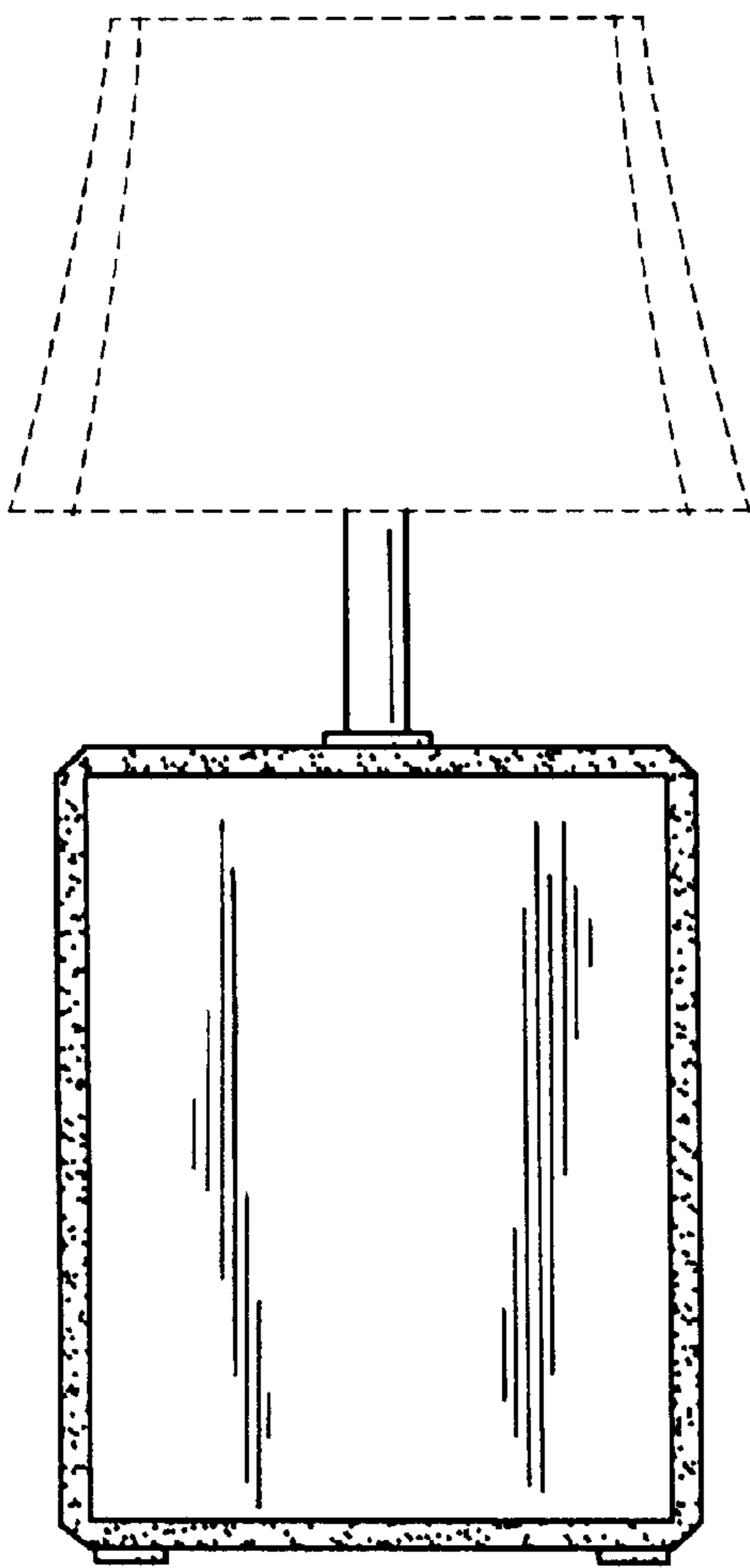


FIG. 3

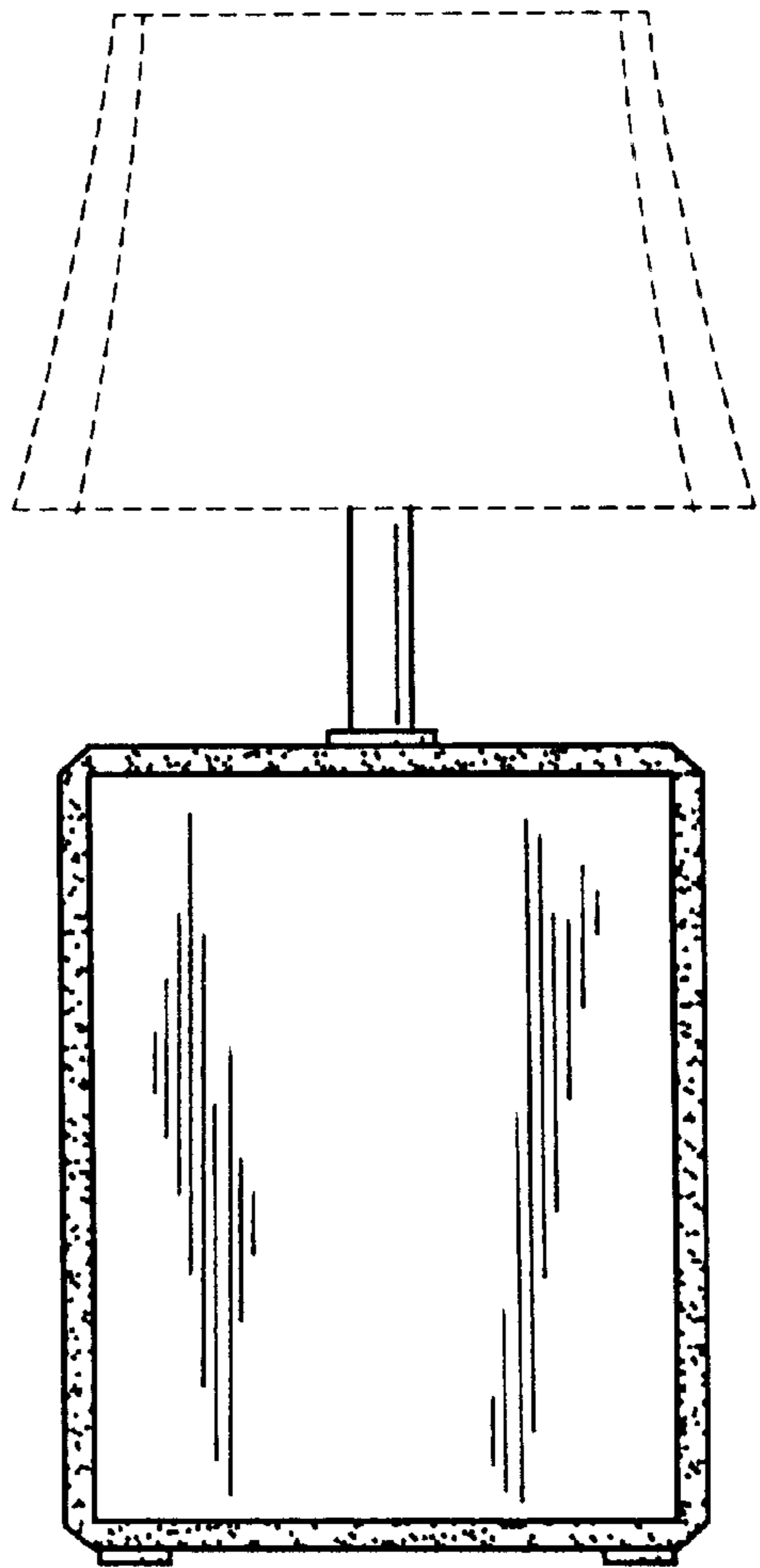


FIG. 4

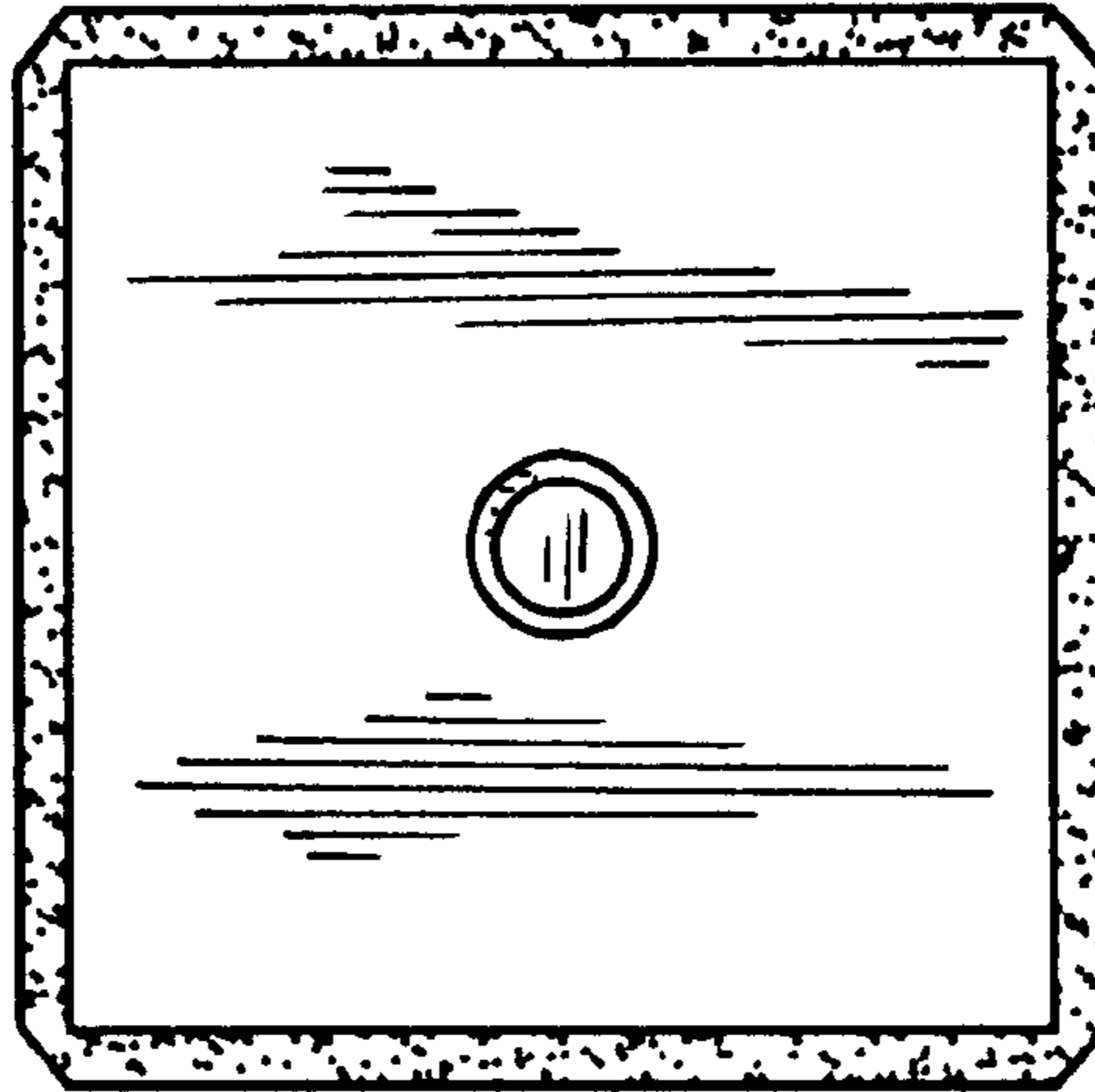


FIG. 5

