



US00D434514S

# United States Patent [19] Wachter

[11] **Patent Number: Des. 434,514**

[45] **Date of Patent: \*\* Nov. 28, 2000**

[54] **ORB LAMPHOLDER**

[75] Inventor: **Peter F. Wachter**, Northfield, Ill.

[73] Assignee: **Juno Manufacturing, Inc.**, Des Plaines, Ill.

[\*\*] Term: **14 Years**

[21] Appl. No.: **29/119,035**

[22] Filed: **Feb. 23, 2000**

[51] **LOC (7) Cl.** ..... **26-05**

[52] **U.S. Cl.** ..... **D26/63**

[58] **Field of Search** ..... D26/60-66, 118;  
362/267, 271, 272, 275, 276, 288, 427,  
428, 429, 341, 345, 347, 349, 359, 361,  
362, 375, 384, 385

[56] **References Cited**

**PUBLICATIONS**

Con-Tech lighting catalog, 1991, p. 7, round lighting fixture # CTL 430.

Marco lighting catalog, Jun. 1985, p. 13, spotlight # T6323.

*Primary Examiner*—Susan J. Lucas

*Attorney, Agent, or Firm*—Anthony S. Zummer

[57] **CLAIM**

The ornamental design for a orb lampholder, as shown and described.

**DESCRIPTION**

FIG. 1 is a left rear perspective view of an orb lampholder for use on a track showing my design with an adapter and track shown in phantom;

FIG. 2 is a right elevational view of the orb lampholder for use on a track as shown in FIG. 1, and the left elevational view is identical;

FIG. 3 is a front elevational view of the orb lampholder for use on a track as shown in FIG. 1;

FIG. 4 is a rear elevational view of the orb lampholder for use on a track as shown in FIG. 1;

FIG. 5 is a top view of the orb lampholder for use on a track as shown in FIG. 1; and,

FIG. 6 is a bottom view of the orb lampholder for use on a track as shown in FIG. 1.

The phantom lines are shown for illustrative purposes only and form no part of the claimed design.

**1 Claim, 2 Drawing Sheets**

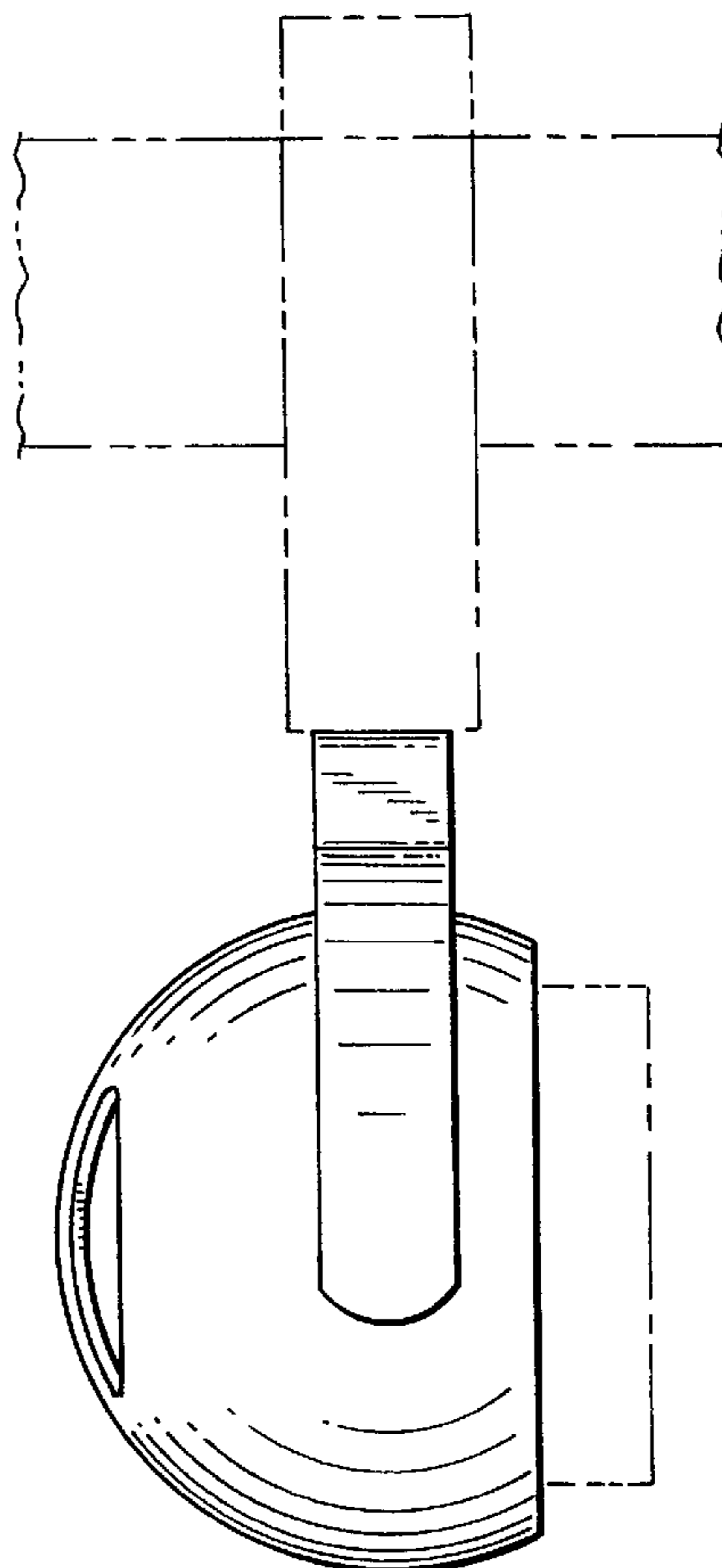
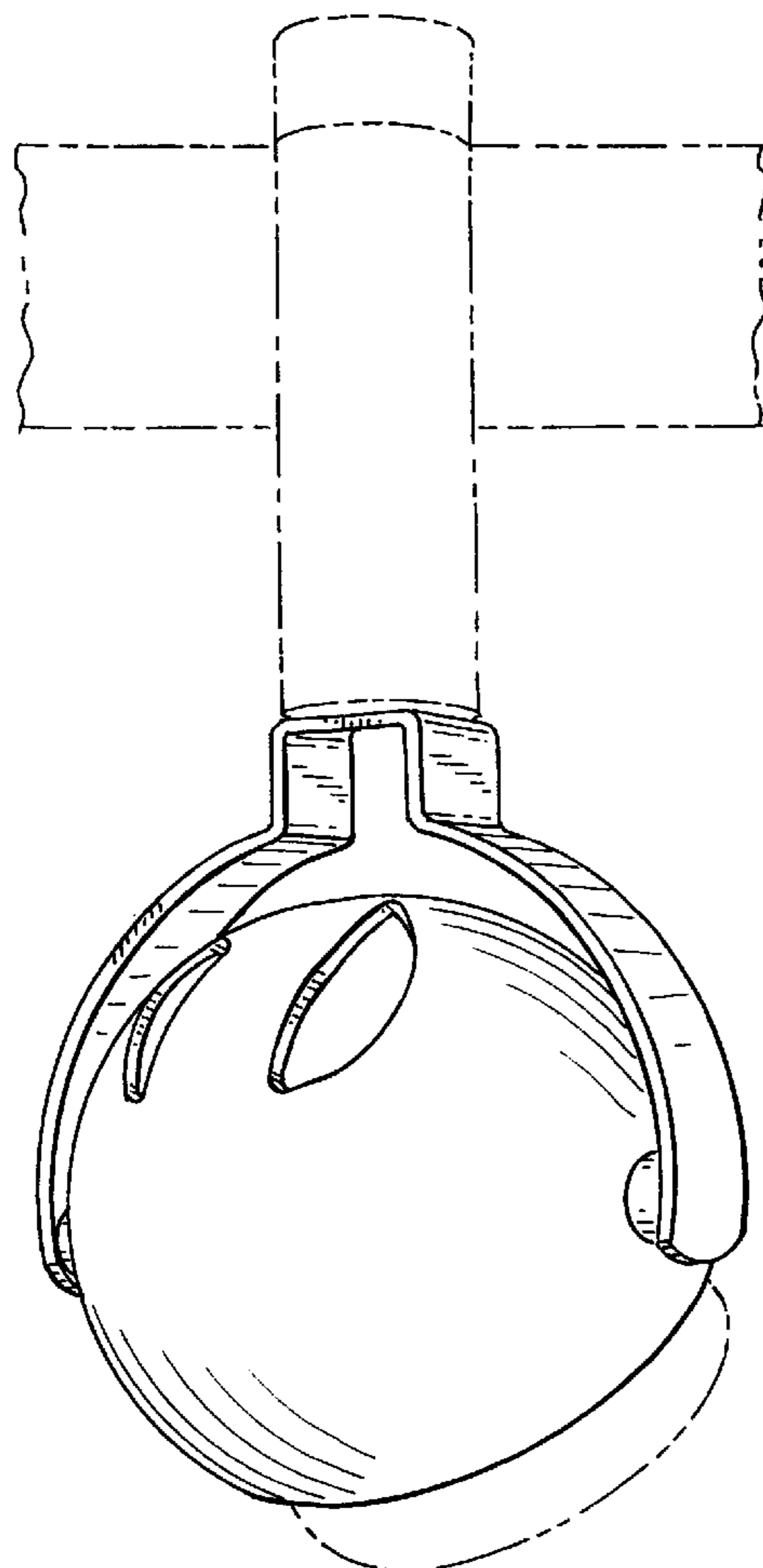


FIG. 1

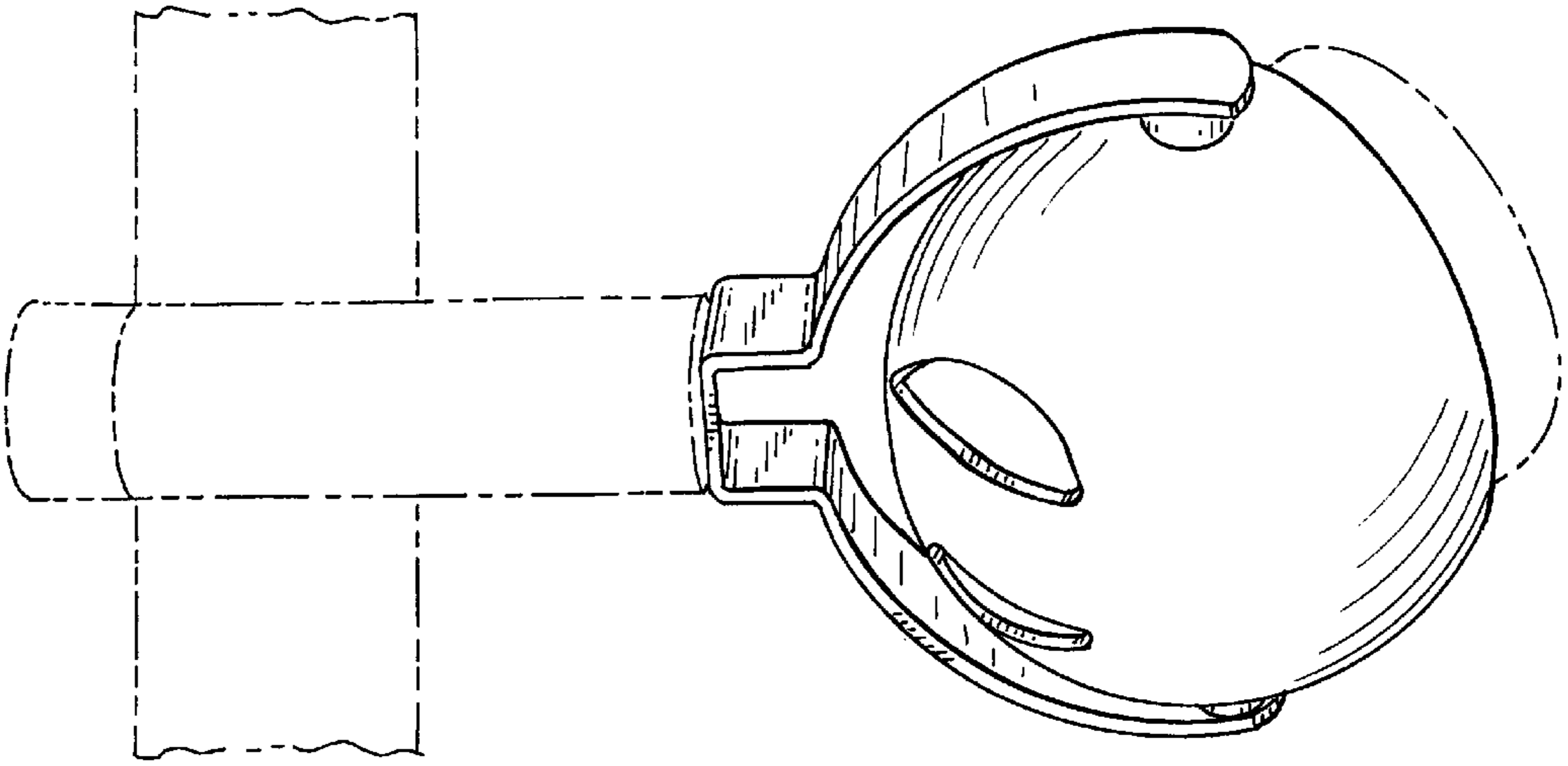


FIG. 2

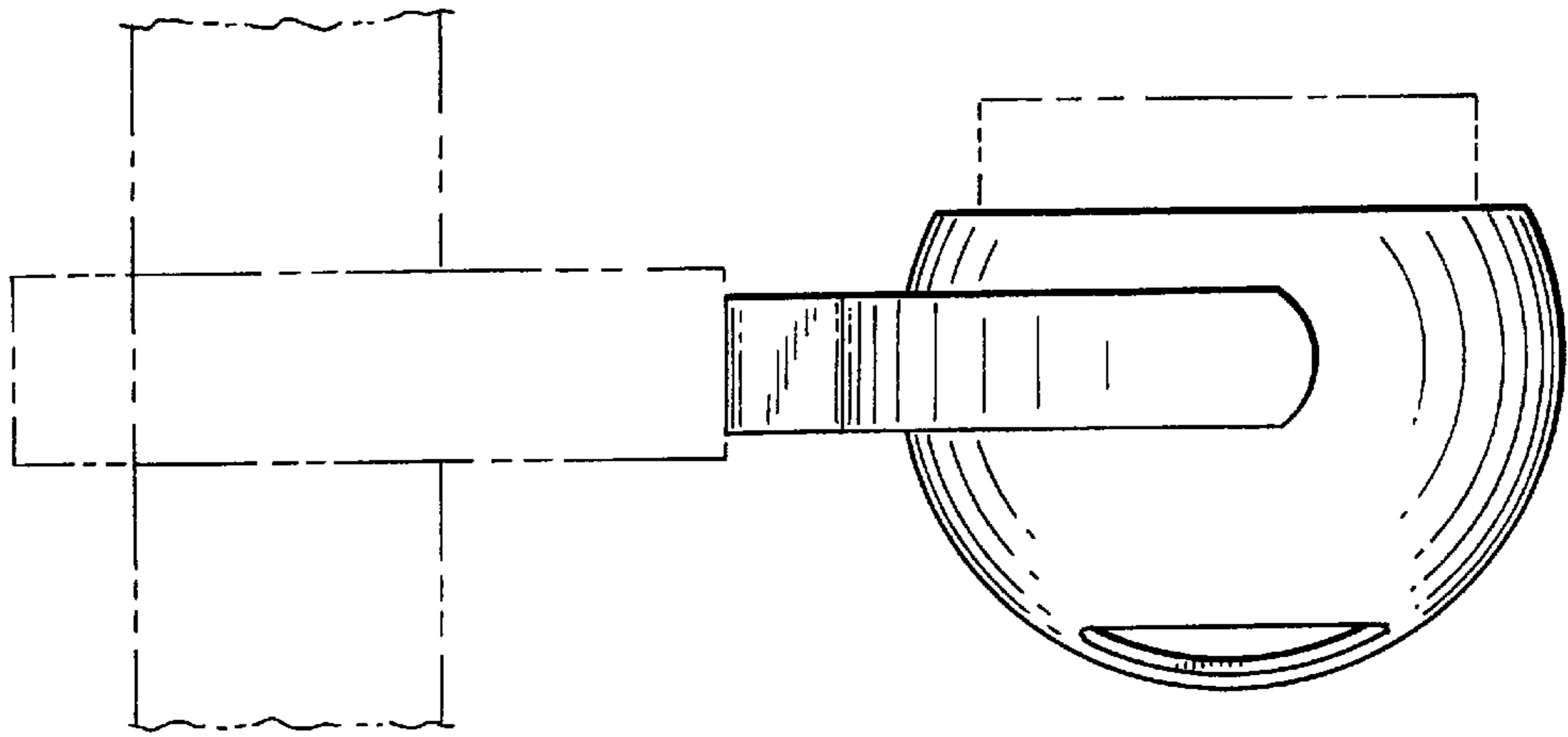


FIG. 3

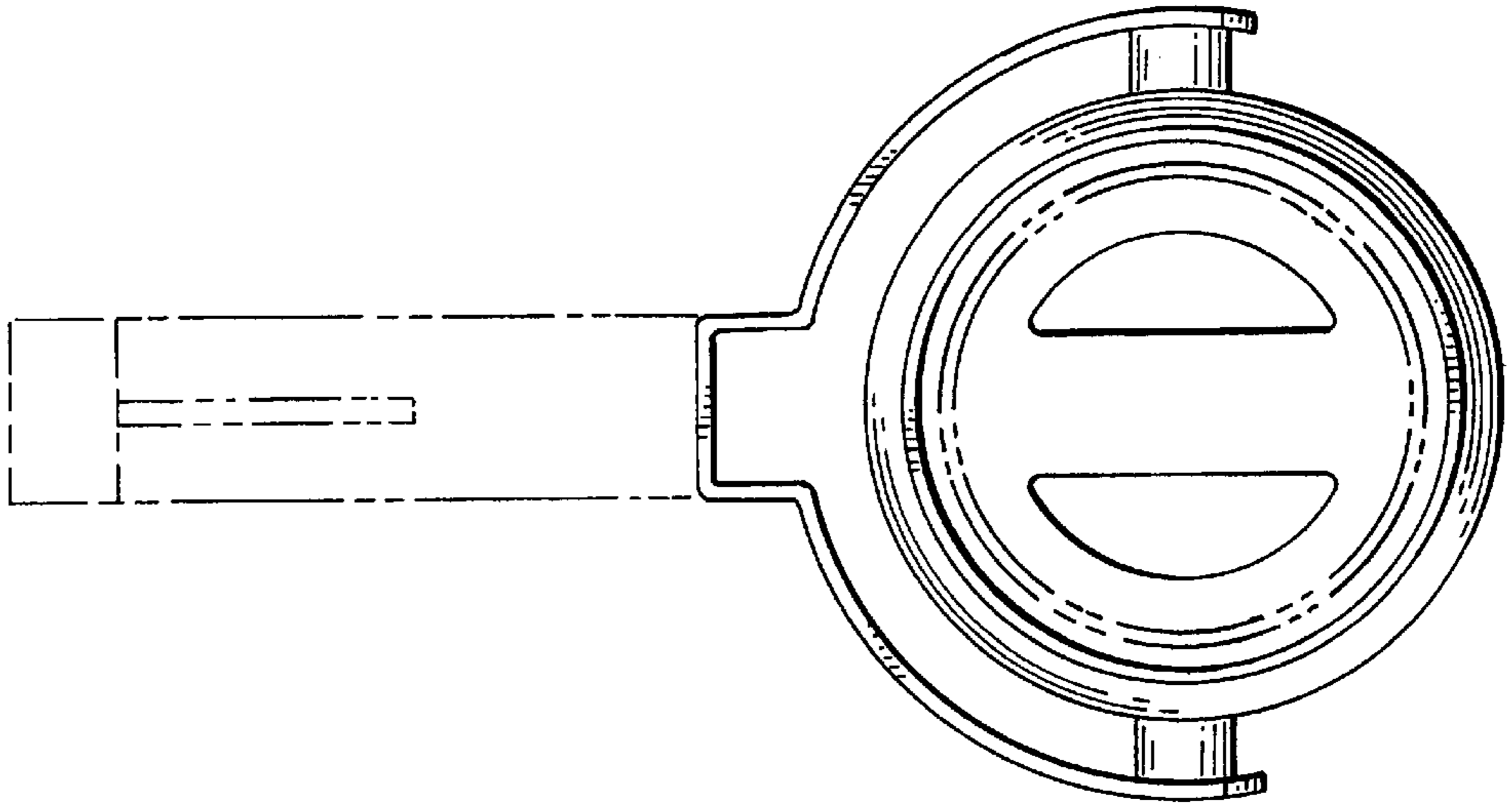


FIG.4

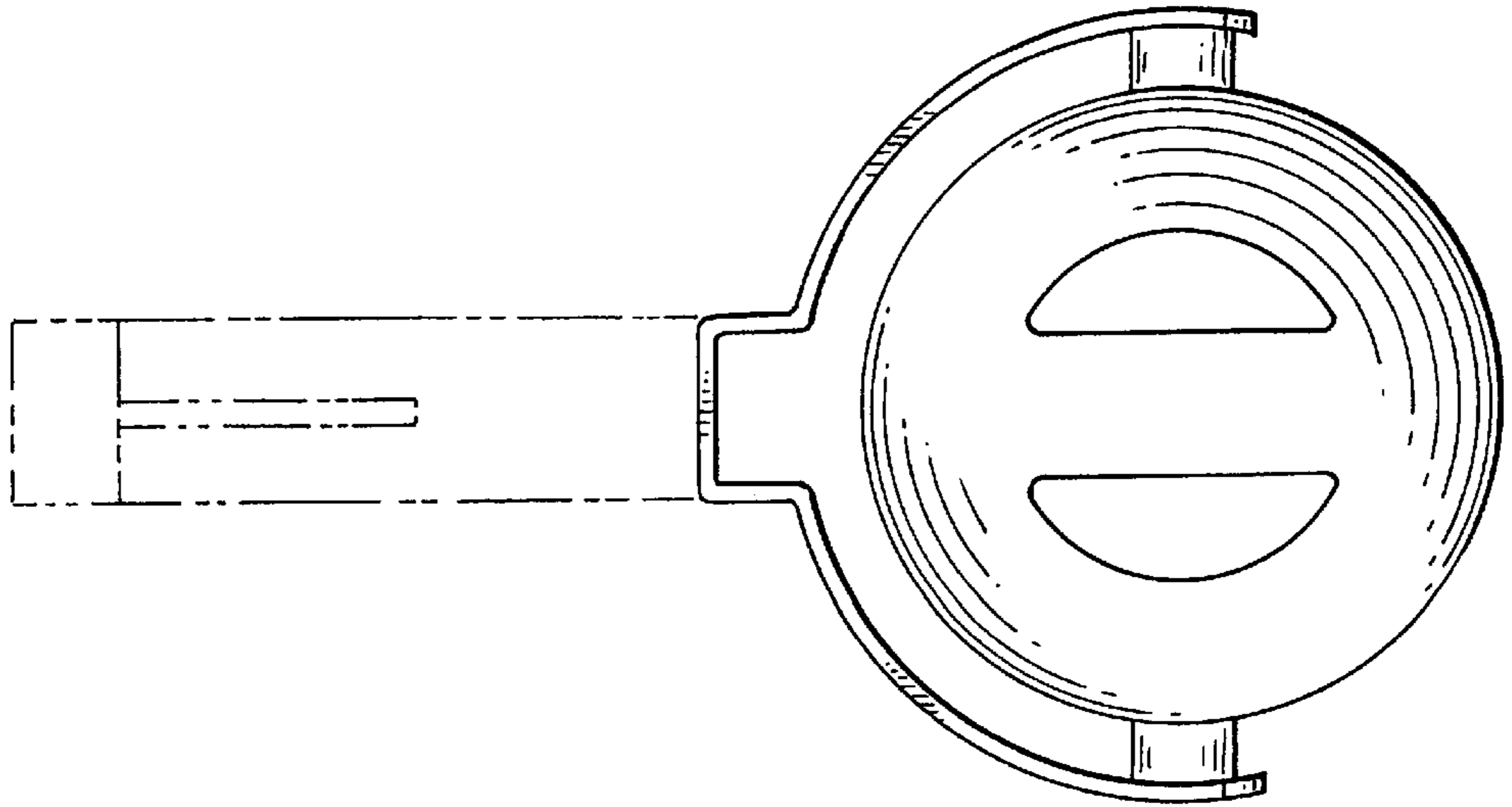


FIG.5

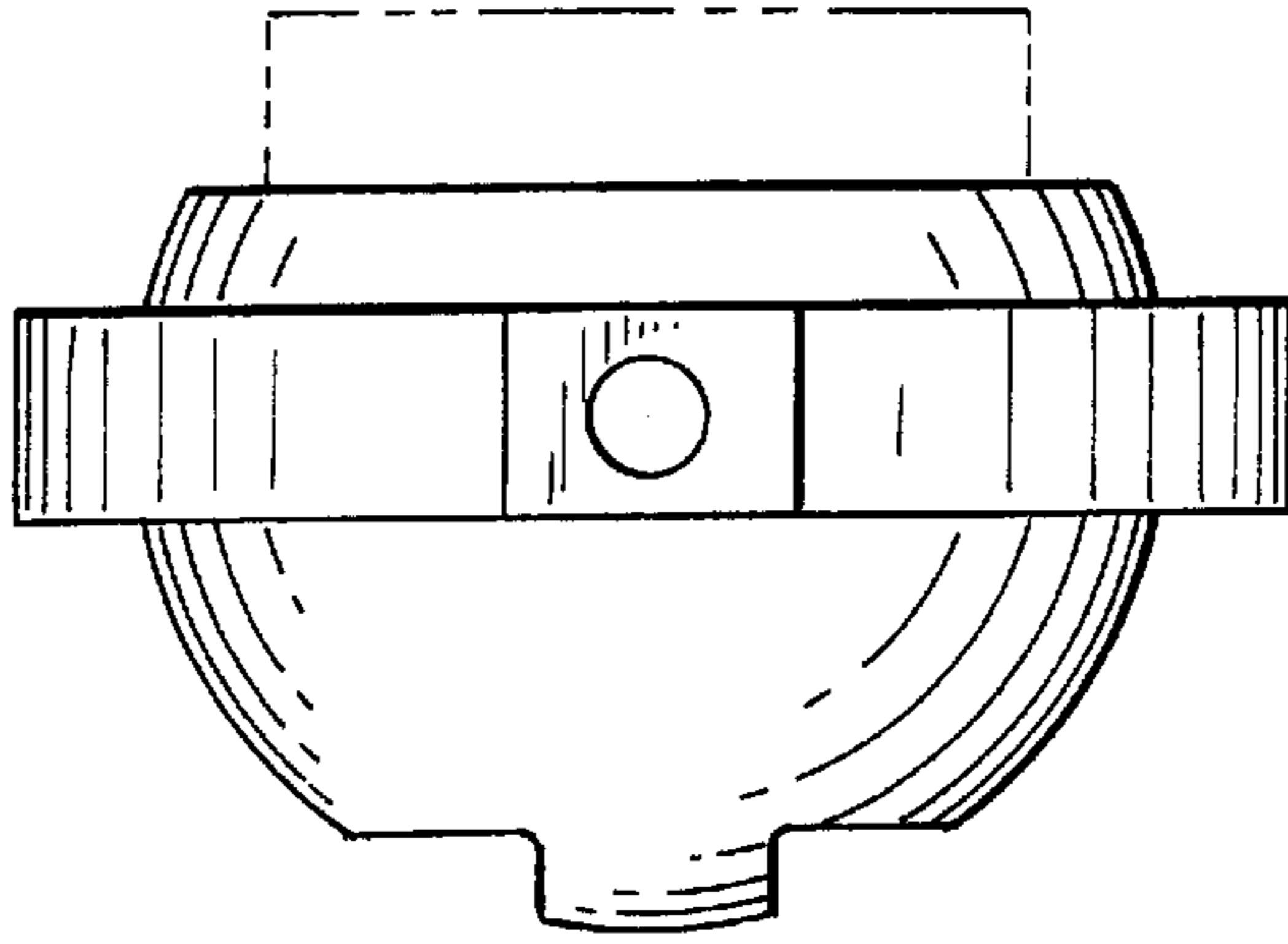


FIG.6

