



US00D434504S

**United States Patent** [19]  
**Miller**

[11] **Patent Number: Des. 434,504**

[45] **Date of Patent: \*\* Nov. 28, 2000**

[54] **NIGHT SPLINT FOR A FOOT**

5,088,480 2/1992 Wang ..... 602/23  
5,224,925 7/1993 Varn ..... 602/28

[75] Inventor: **Donna F. Miller**, Harrisburg, N.C.

*Primary Examiner*—Stella Reid  
*Attorney, Agent, or Firm*—Dougherty & Associates

[73] Assignee: **Clinitex Medical Corporation**,  
Huntersville, N.C.

[57] **CLAIM**

[\*\*] Term: **14 Years**

The ornamental design for a night splint for a foot, as shown and described.

[21] Appl. No.: **29/117,908**

**DESCRIPTION**

[22] Filed: **Feb. 1, 2000**

[51] **LOC (7) Cl.** ..... **24-04**

FIG. 1 is a perspective view of a night splint for a foot showing my new design;  
FIG. 2 is a right side elevation view thereof;  
FIG. 3 is a left side elevation view thereof;  
FIG. 4 is a front elevation view thereof;  
FIG. 5 is a back elevation view thereof;  
FIG. 6 is a top plan view thereof; and,  
FIG. 7 is a bottom plan view thereof.

[52] **U.S. Cl.** ..... **D24/192**

[58] **Field of Search** ..... D24/190, 192;  
602/5, 6, 23, 28, 27

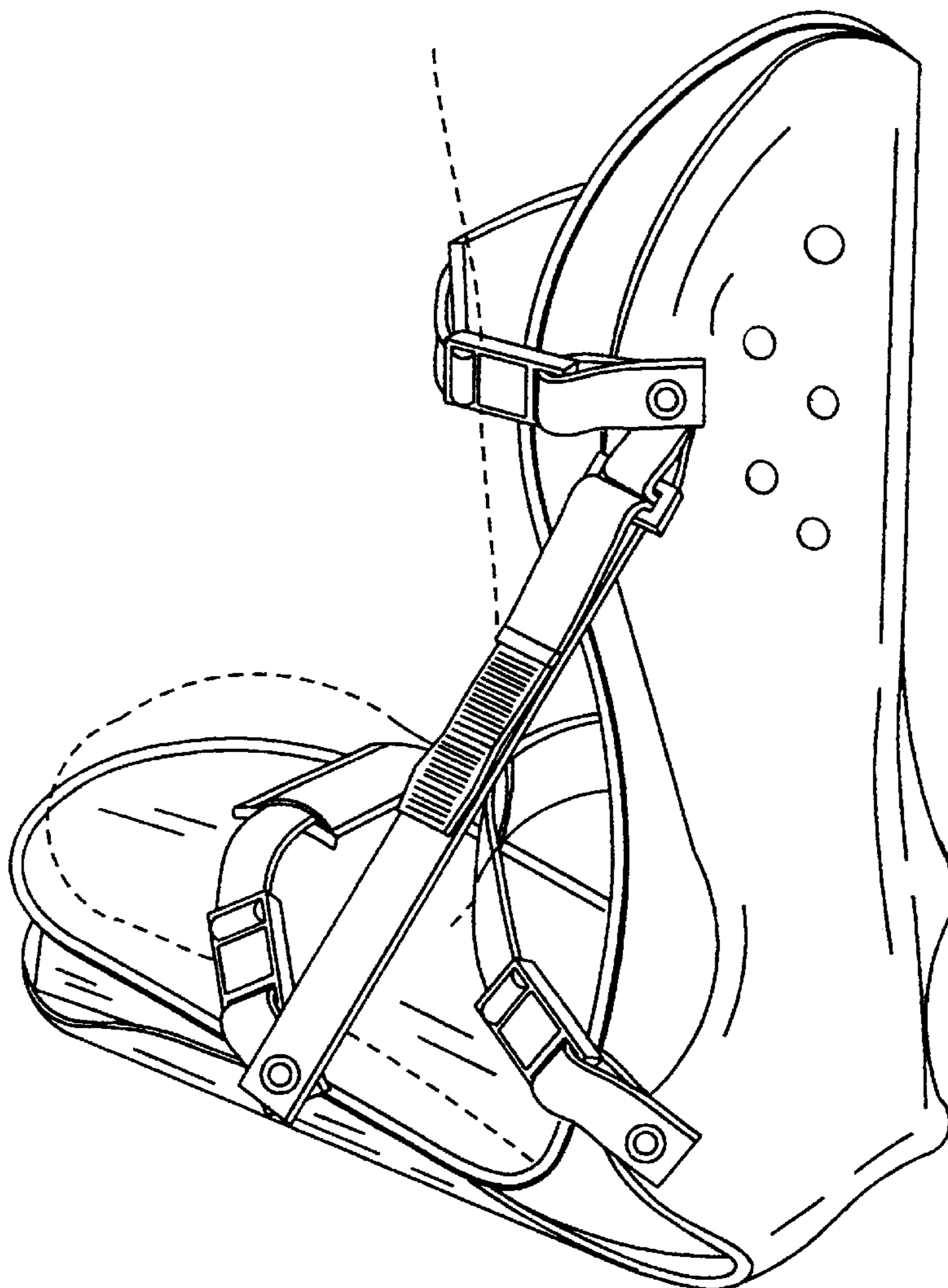
The broken line showing is for illustrative purposes only and forms no part of the claimed design.

[56] **References Cited**

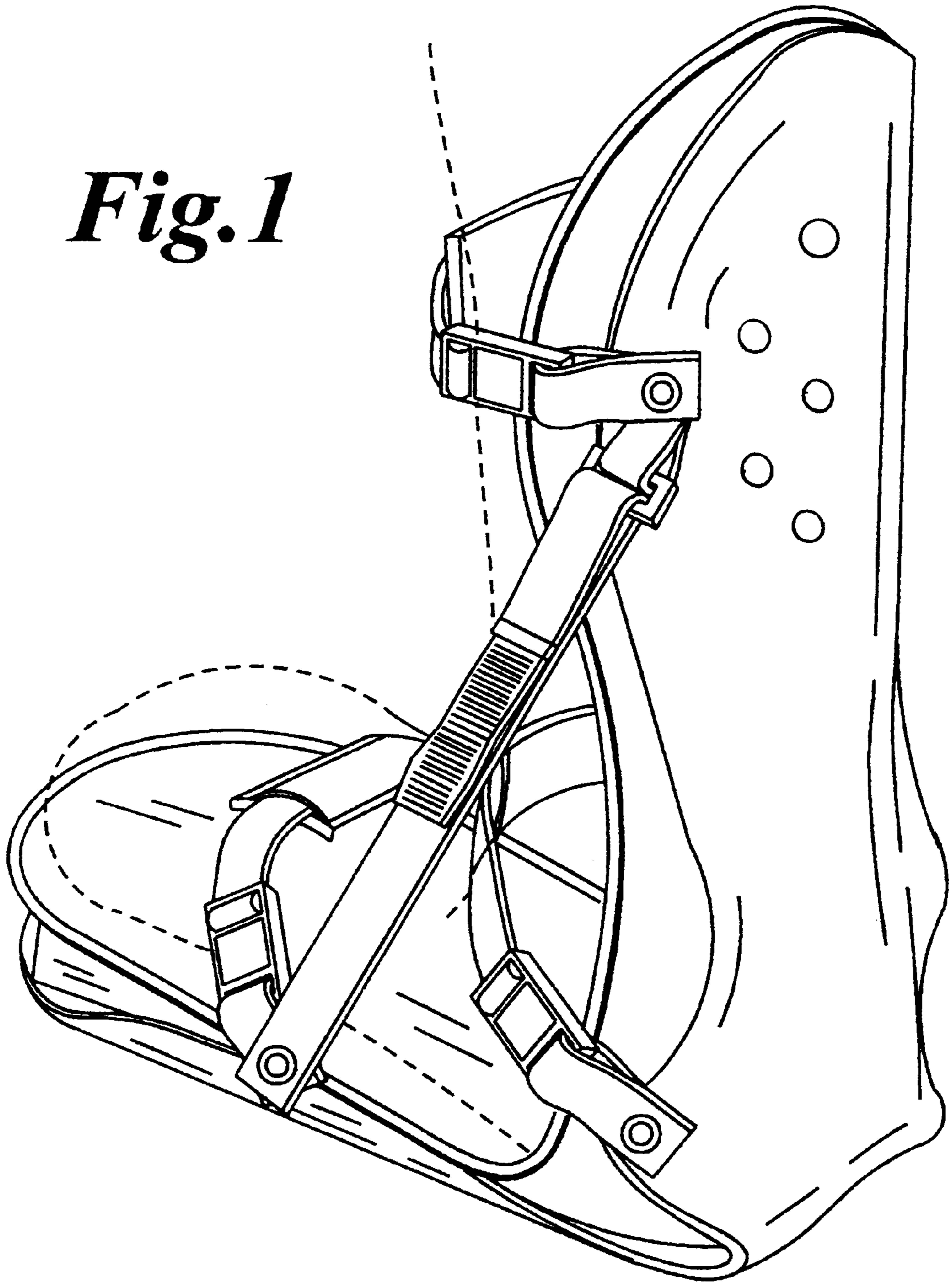
**U.S. PATENT DOCUMENTS**

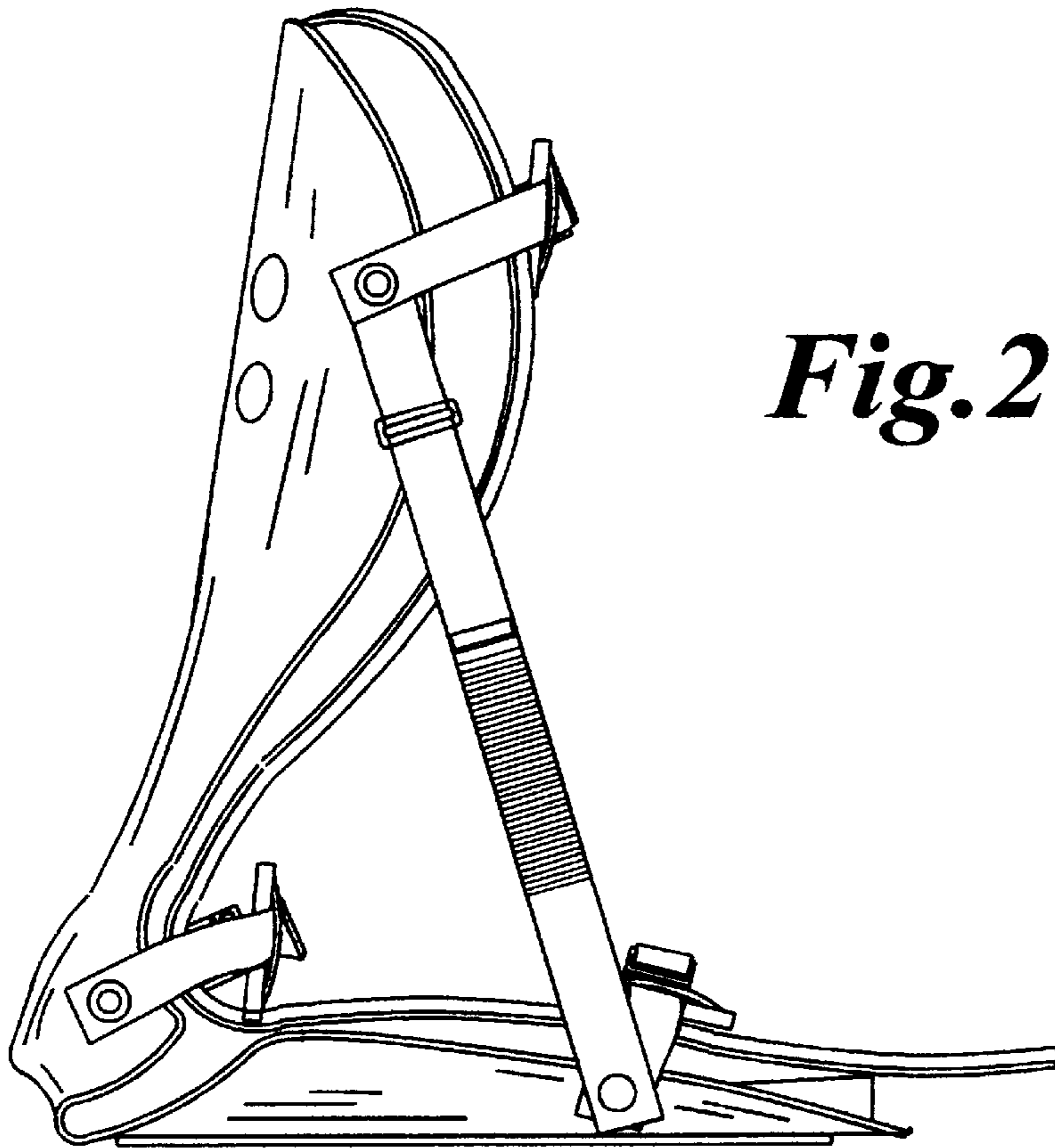
D. 270,284	8/1983	Lindh et al. ....	D24/192
4,289,122	9/1981	Mason et al. ....	602/27
4,554,912	11/1985	Haberman ....	602/27
4,646,726	3/1987	Westin et al. ....	602/27

**1 Claim, 4 Drawing Sheets**



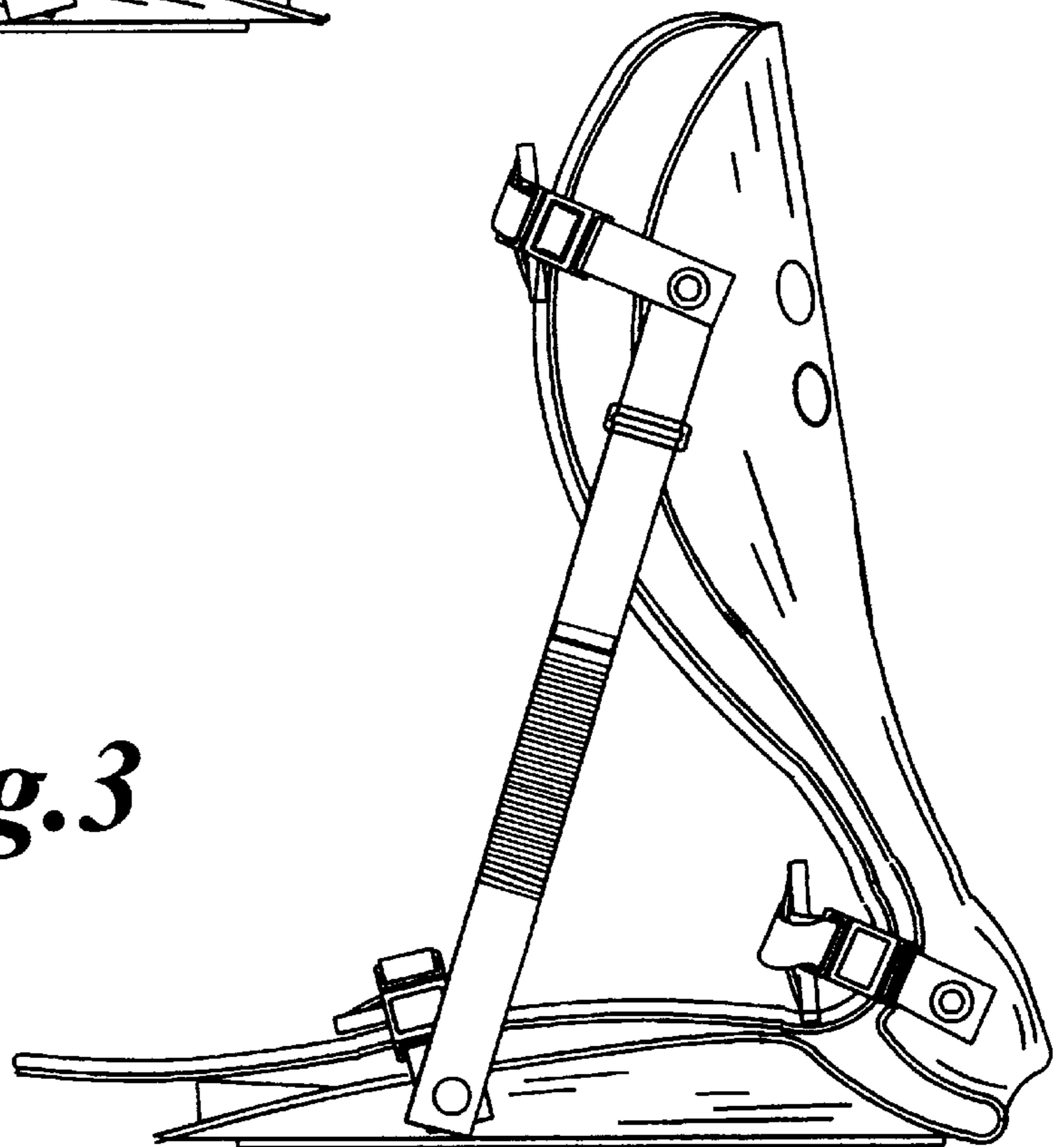
*Fig. 1*

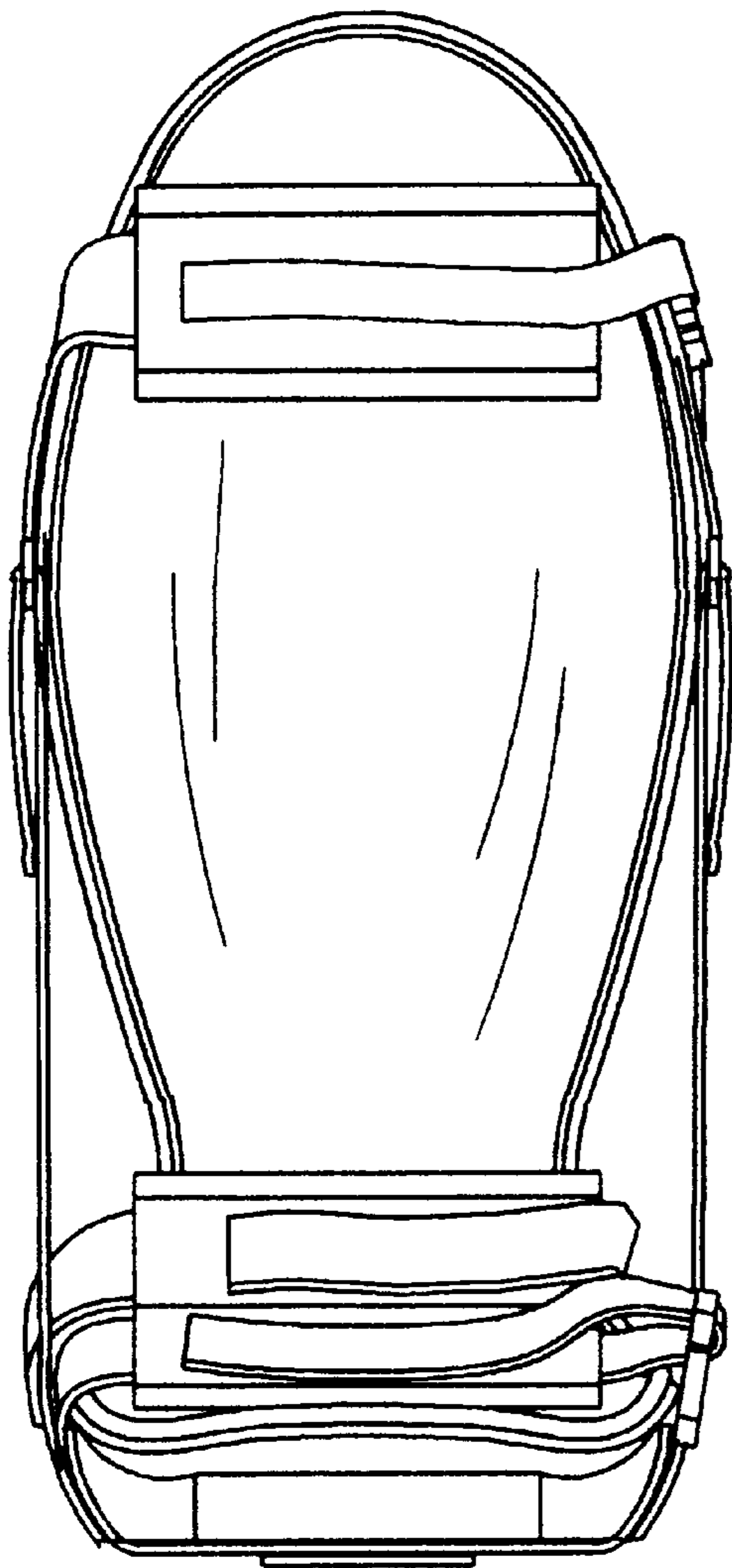




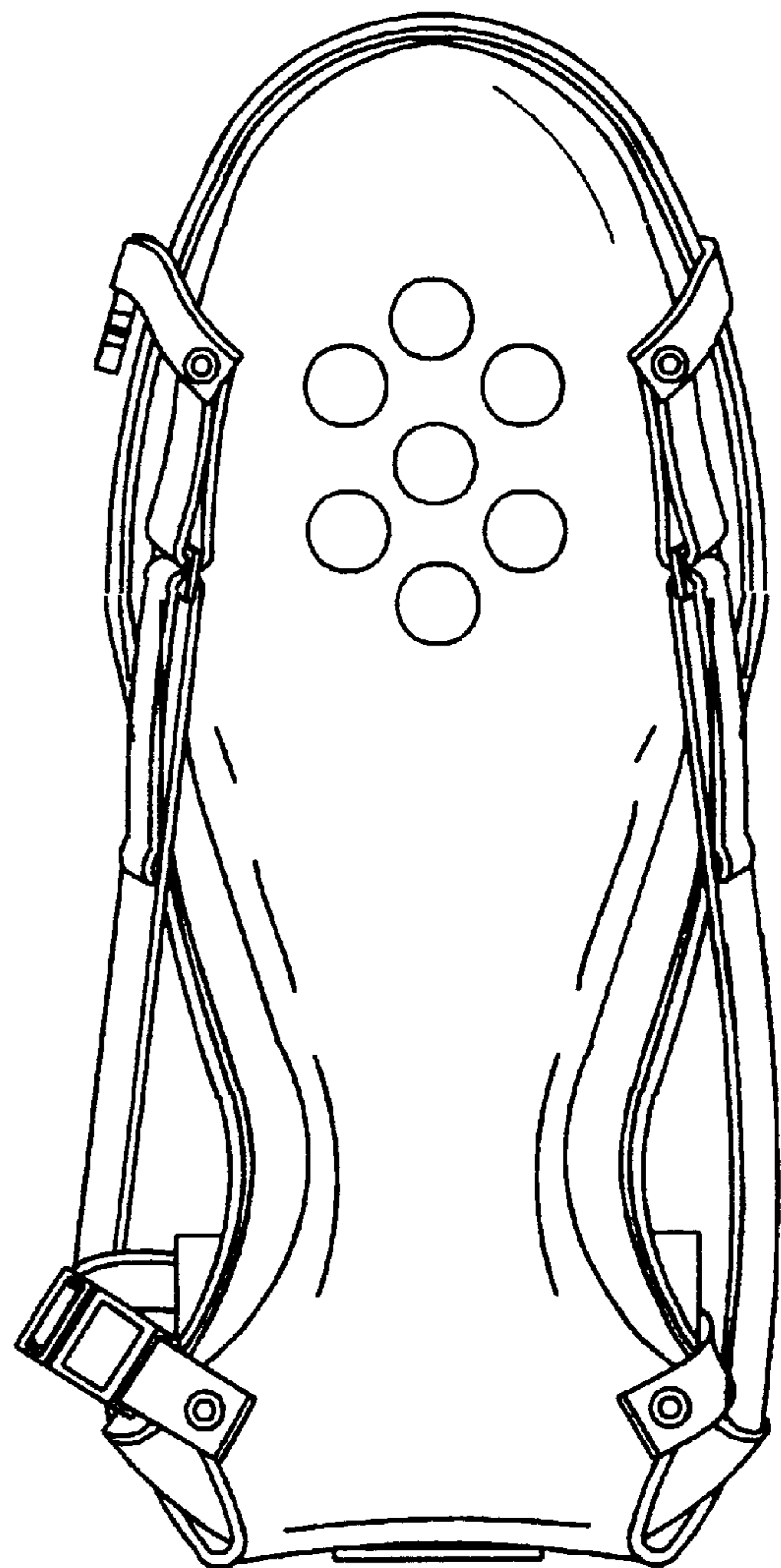
*Fig. 2*

*Fig. 3*

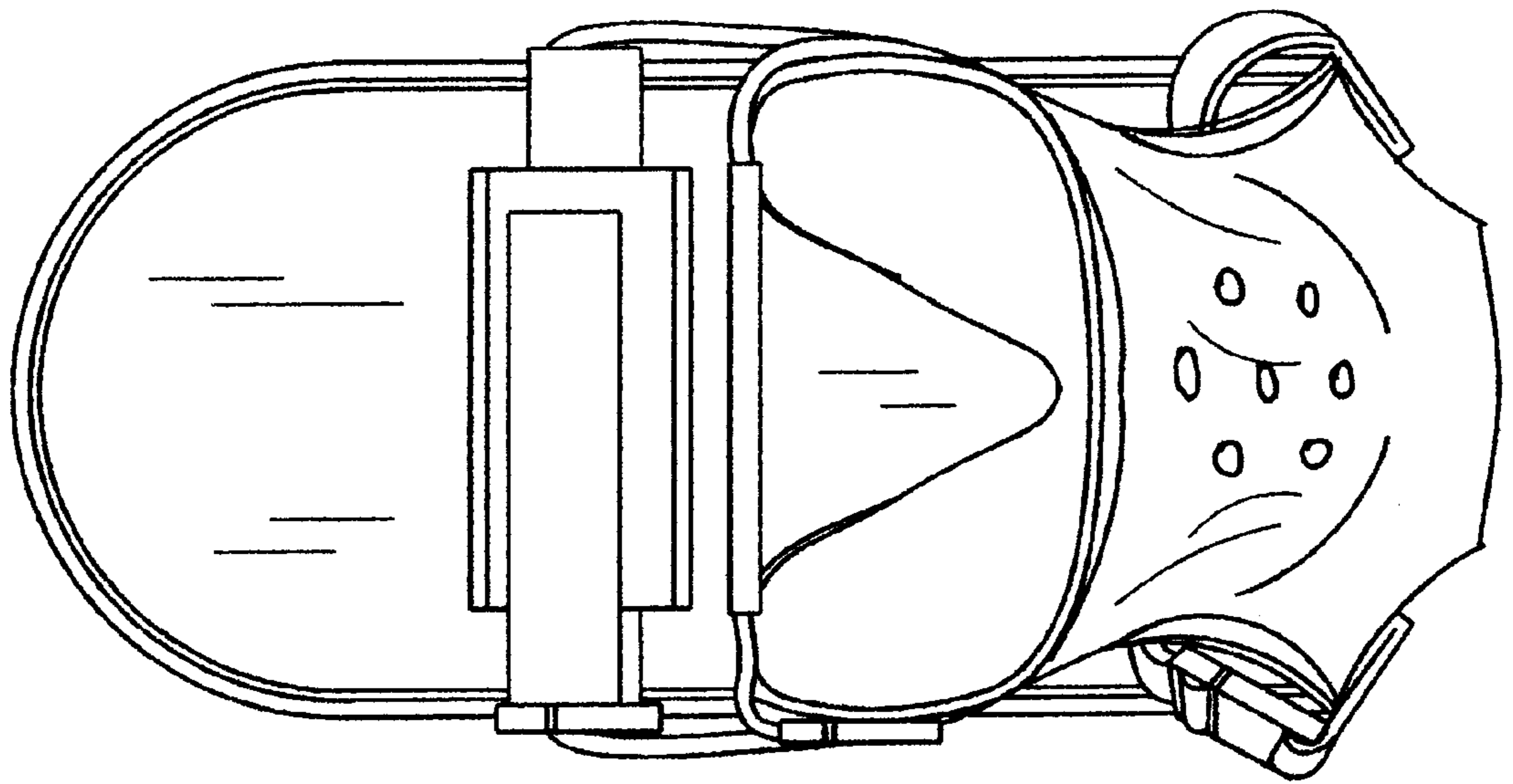




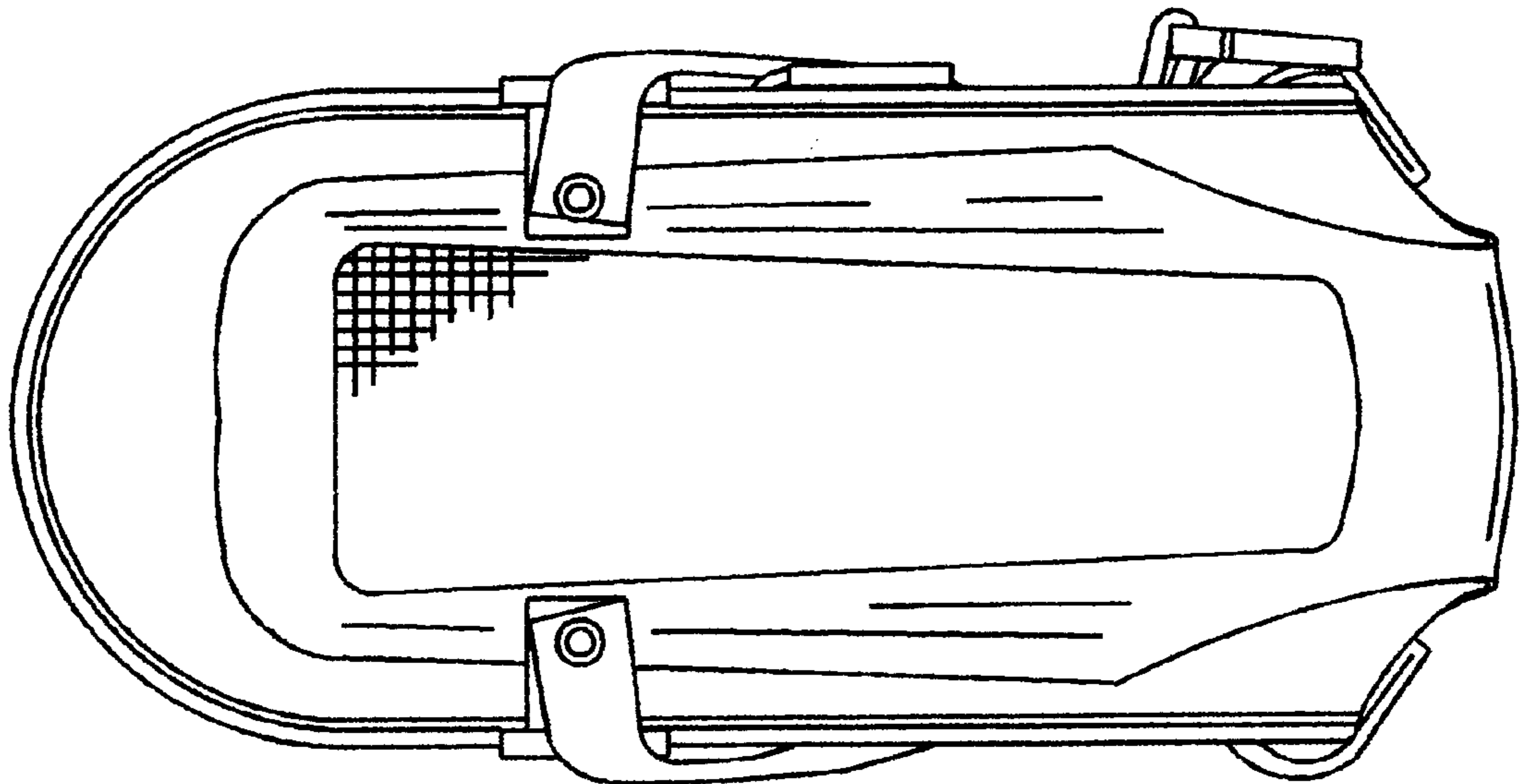
*Fig. 4*



*Fig. 5*



*Fig. 6*



*Fig. 7*