



US00D434500S

United States Patent [19]

[11] **Patent Number: Des. 434,500**

Pollock et al.

[45] **Date of Patent: ** Nov. 28, 2000**

[54] **DENTAL SCALER AND RESERVOIR SYSTEM**

5,186,625 2/1993 Bailey 433/88
5,779,471 7/1998 Tseng et al. 433/80
5,967,779 10/1999 Brassil et al. 433/88

[75] Inventors: **David P. Pollock**, York; **Kent D. Russell**, Seven Valleys; **Kevin K. Lint**, York, all of Pa.; **Eric Ping Pang Chan**; **Jeffrey F. Miller**, both of New York, N.Y.

Primary Examiner—Antoine Duval Davis
Attorney, Agent, or Firm—Dale R. Lovercheck; James B. Bieber

[73] Assignee: **Dentsply Research & Development Corp.**, Los Angeles, Calif.

[57] **CLAIM**

The ornamental design for a dental scaler and reservoir system, as shown.

[**] Term: **14 Years**

DESCRIPTION

[21] Appl. No.: **29/112,305**

FIG. 1 is a frontal perspective view of a dental scaler and reservoir system in accordance with the invention.

[22] Filed: **Oct. 13, 1999**

FIG. 2 is a front view of the dental scaler and reservoir system shown in FIGS. 1 through 7.

Related U.S. Application Data

FIG. 3 is a rear view of the dental scaler and reservoir system shown in FIGS. 1 through 7.

[63] Continuation-in-part of application No. 29/111,328, Sep. 24, 1999, abandoned.

FIG. 4 is a side view of the dental scaler and reservoir system.

[51] **LOC (7) Cl.** **24-03**

FIG. 5 is a side view of the dental scaler and reservoir system.

[52] **U.S. Cl.** **D24/176**

FIG. 6 is a top view of the dental scaler and reservoir system shown in FIGS. 1 through 7; and,

[58] **Field of Search** D24/176; 433/80-88; 604/259

FIG. 7 is a bottom view of the dental scaler and reservoir system shown in FIGS. 1 through 7.

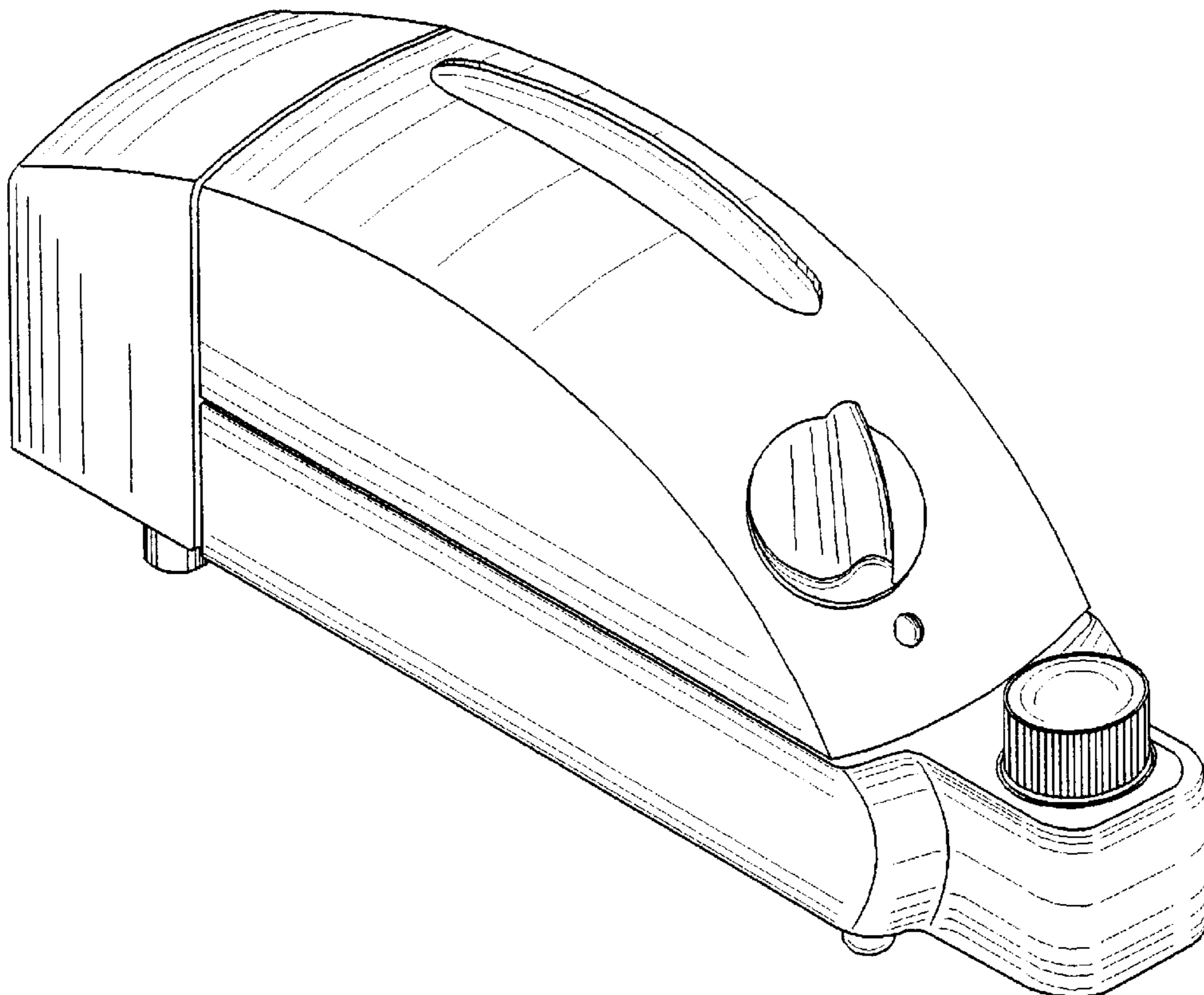
[56] **References Cited**

The broken line showing is for illustrative purposes only and forms no part of the claimed design.

U.S. PATENT DOCUMENTS

D. 360,466 7/1995 Nordstrom et al. D24/176
D. 428,152 7/2000 Suh et al. D24/176

1 Claim, 6 Drawing Sheets



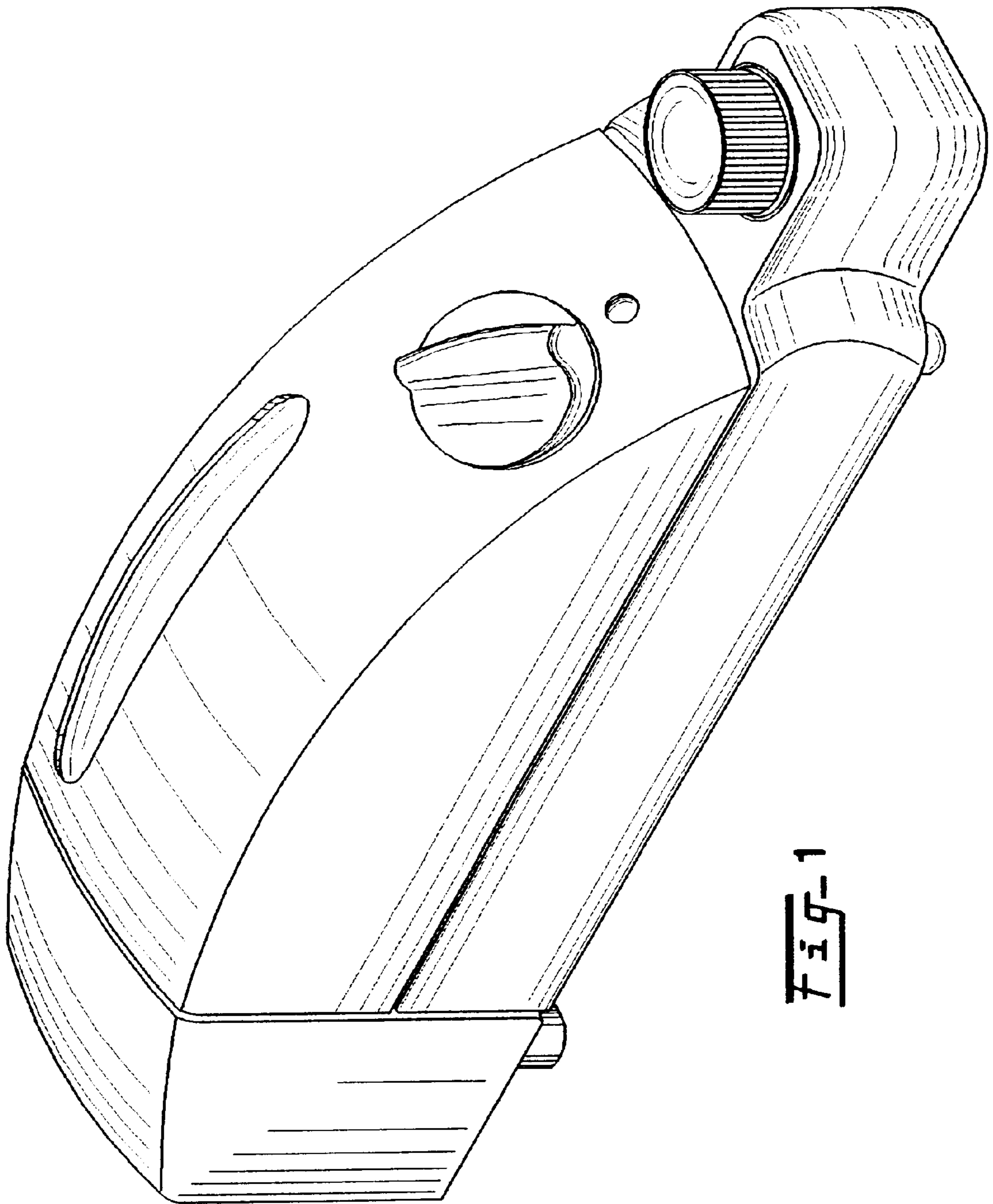


Fig-1

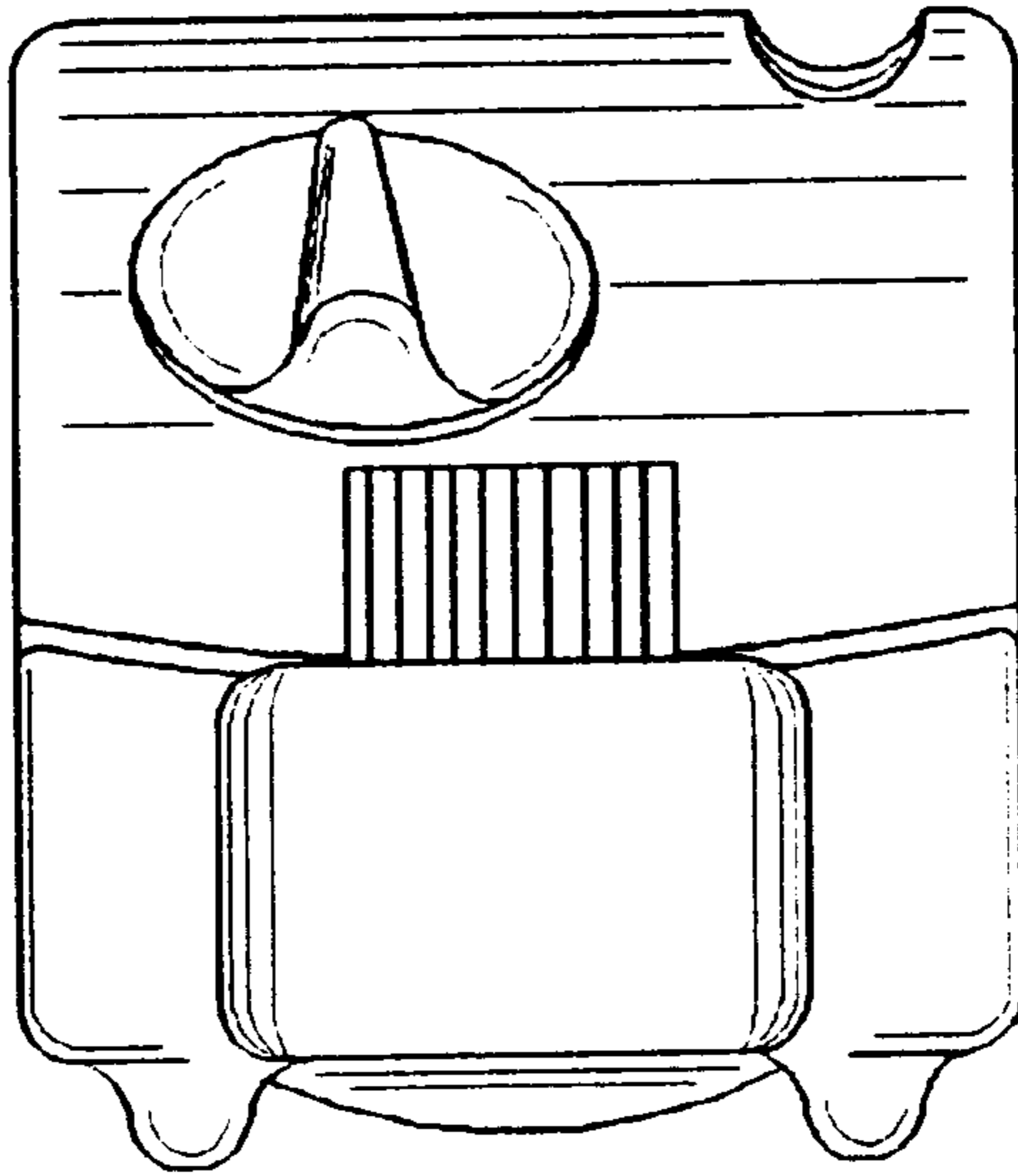


Fig-2

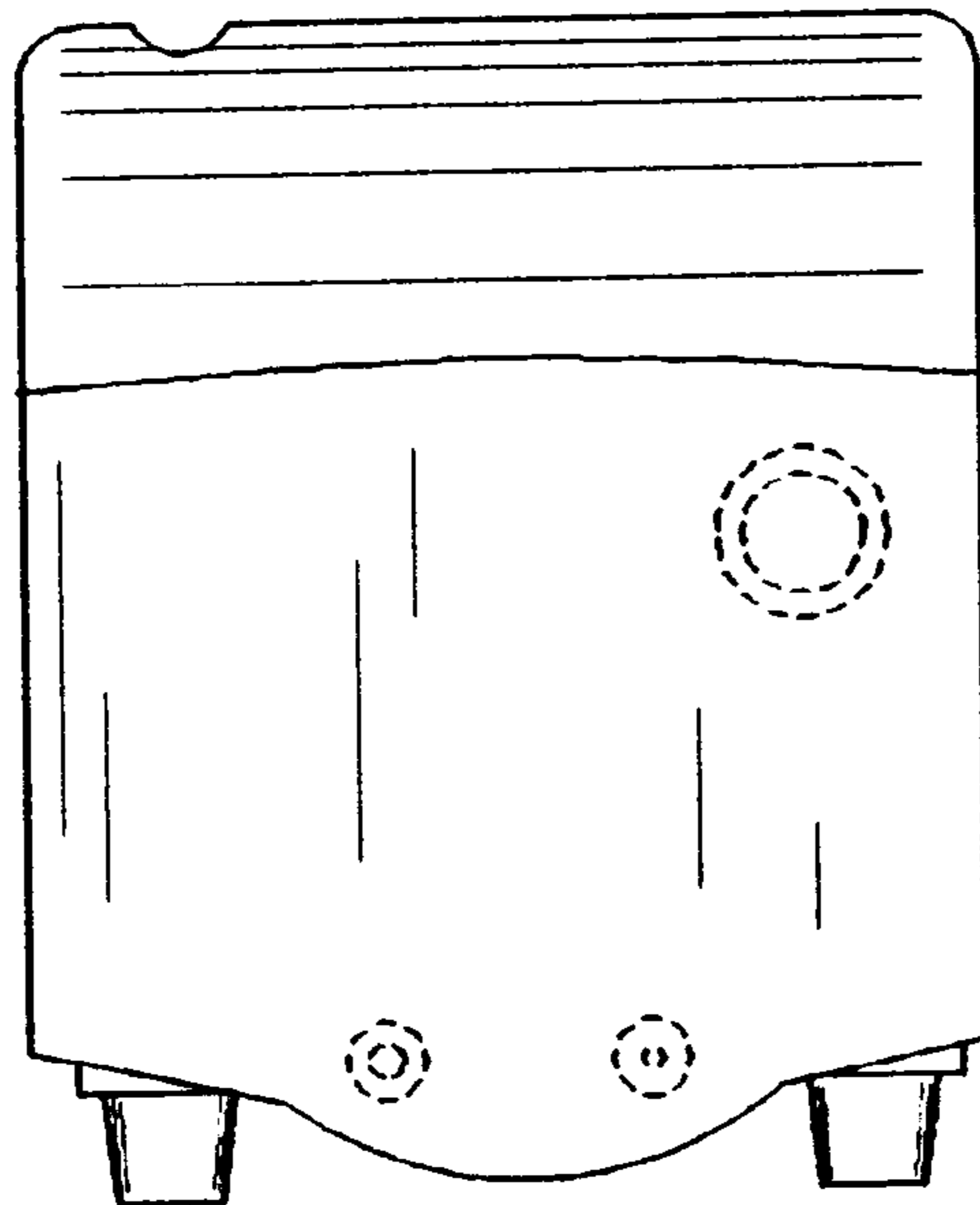


Fig-3

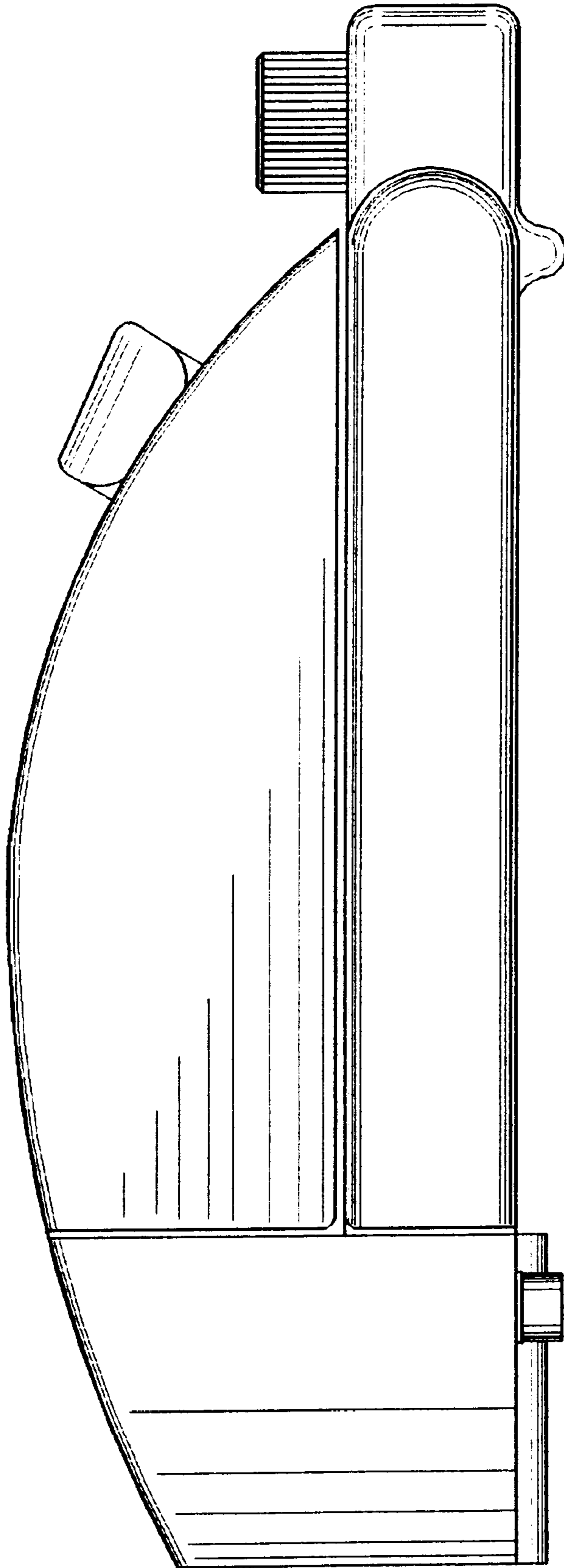


Fig-4

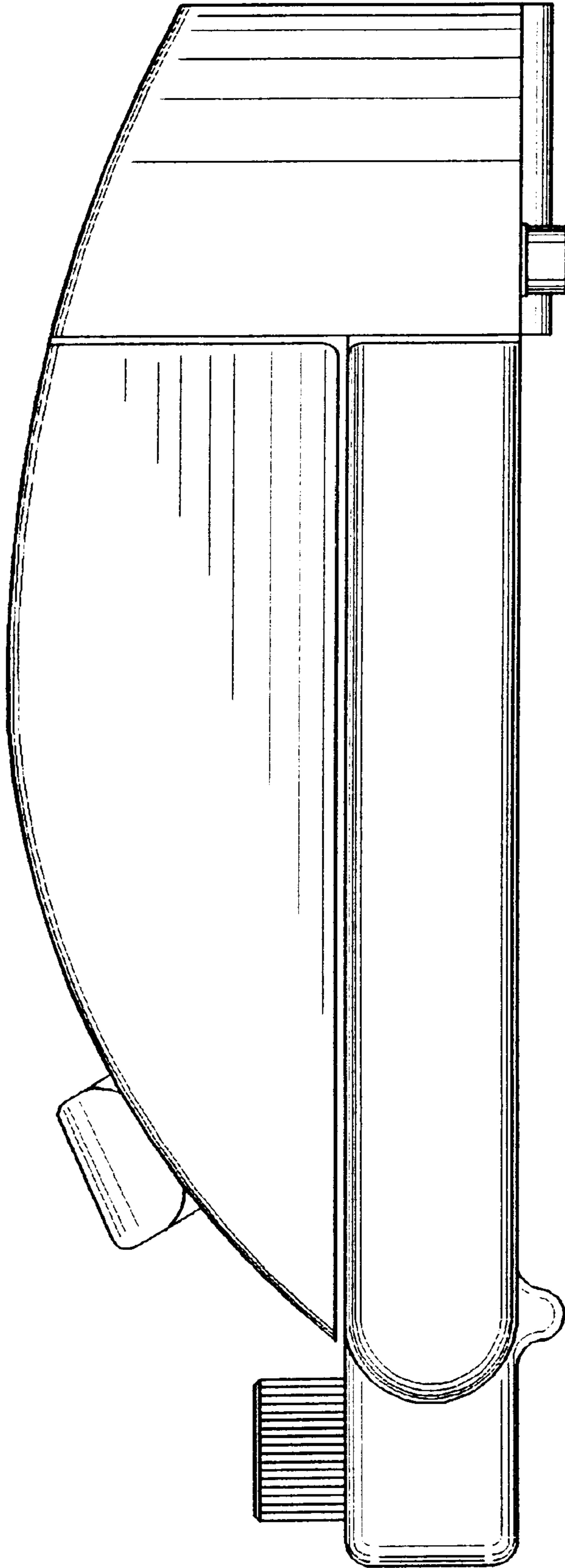


Fig-5

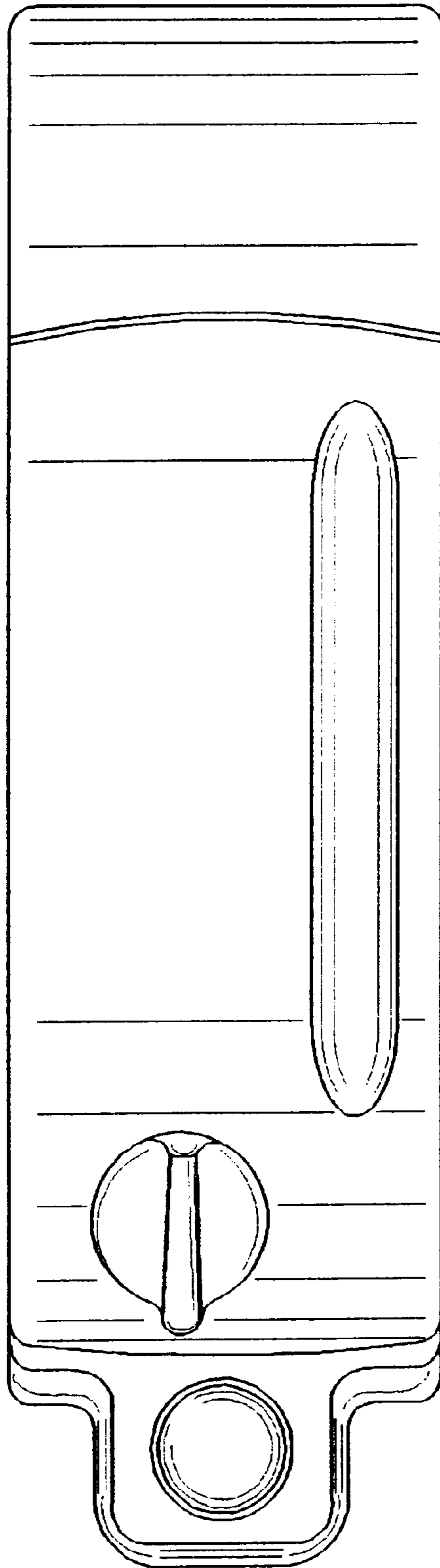


Fig-6

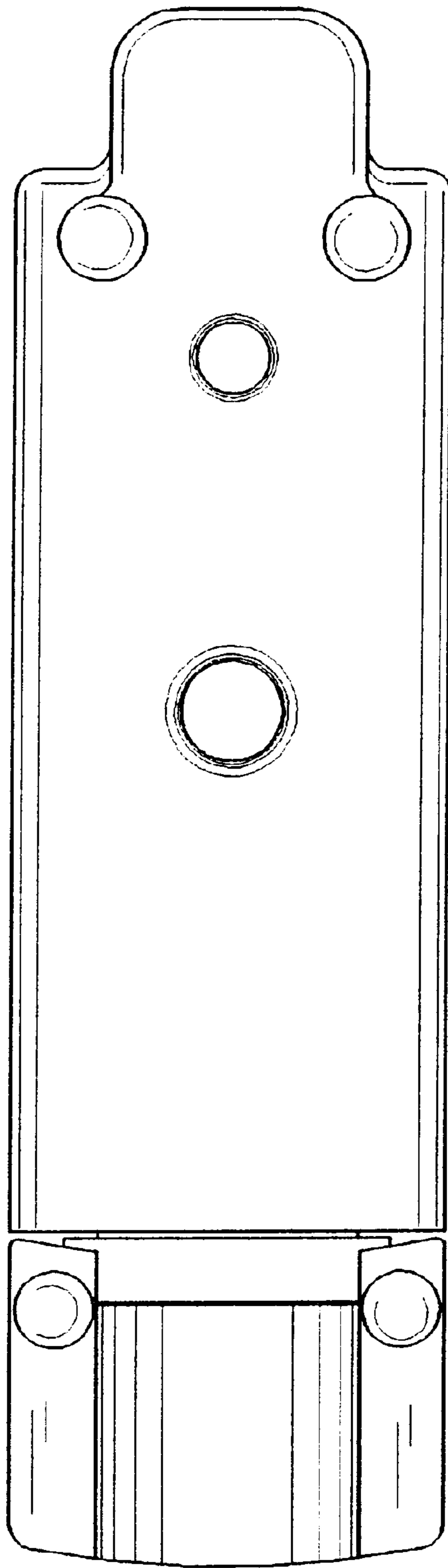


Fig-7