



US00D434495S

United States Patent [19]

Whalen et al.

[11] Patent Number: Des. 434,495

[45] Date of Patent: ** Nov. 28, 2000

[54] **OXYGEN BOTTLE HOLDER**

[75] Inventors: **Lynn J. Whalen; William L. Oberender**, both of Orlando, Fla.

[73] Assignee: **Wheeled Coach Industries, Inc.**, Winter Park, Fla.

[**] Term: **14 Years**

[21] Appl. No.: **29/102,912**

[22] Filed: **Apr. 5, 1999**

[51] **LOC (7) Cl.** **24-02**

[52] **U.S. Cl.** **D24/128; D8/373**

[58] **Field of Search** D24/107, 110, D24/128, 164, 230; D9/517, 455; D12/223; D8/354, 373, 380; 5/503.1; 211/74, 75, 60.1, 86.01, 85.18; 248/65, 146, 166, 274.1, 298.1, 309.1, 311.2, 312; 280/288.4; 297/188.01, 188.02, 188.06, 188.2; D6/512, 513, 553

[56] **References Cited**

U.S. PATENT DOCUMENTS

D. 222,527	11/1971	Ziaylek, Jr.	D8/373
D. 237,357	10/1975	Ziaylek, Jr.	D8/373
D. 267,227	12/1982	Ziaylek, Jr.	D8/373
D. 297,053	8/1988	Janzen	D24/230
D. 346,220	4/1994	Miya	D24/164
D. 394,381	5/1998	Ziaylek, Jr. et al.	D8/354
3,667,714	6/1972	Ziaylek, Jr.	211/75

Primary Examiner—Alan P. Douglas
Assistant Examiner—Reid Hecker
Attorney, Agent, or Firm—Blackwell Sanders Peper Martin

[57] **CLAIM**

The ornamental design for an oxygen bottle holder, as shown and described.

DESCRIPTION

FIG. 1 is a top, side perspective view of the oxygen bottle holder shown in a retracted position and embodying my new design;

FIG. 2 is a top plan view thereof;

FIG. 3 is an end elevation view thereof;

FIG. 4 is a bottom plan view thereof;

FIG. 5 is a side elevation view thereof, the opposite side being a mirror image of the side shown;

FIG. 6 is an end elevation view showing the opposite end thereof;

FIG. 7 is a top plan view of the oxygen bottle holder embodying my new design and shown in an extended position, shown on a reduced scale;

FIG. 8 is a side elevation view thereof, the opposite side being a mirror image of the side shown, shown on a reduced scale;

FIG. 9 is a bottom plan view thereof, shown on a reduced scale; and,

FIG. 10 is an end elevation view thereof, the opposite end corresponding to the view shown in FIG. 6.

1 Claim, 3 Drawing Sheets

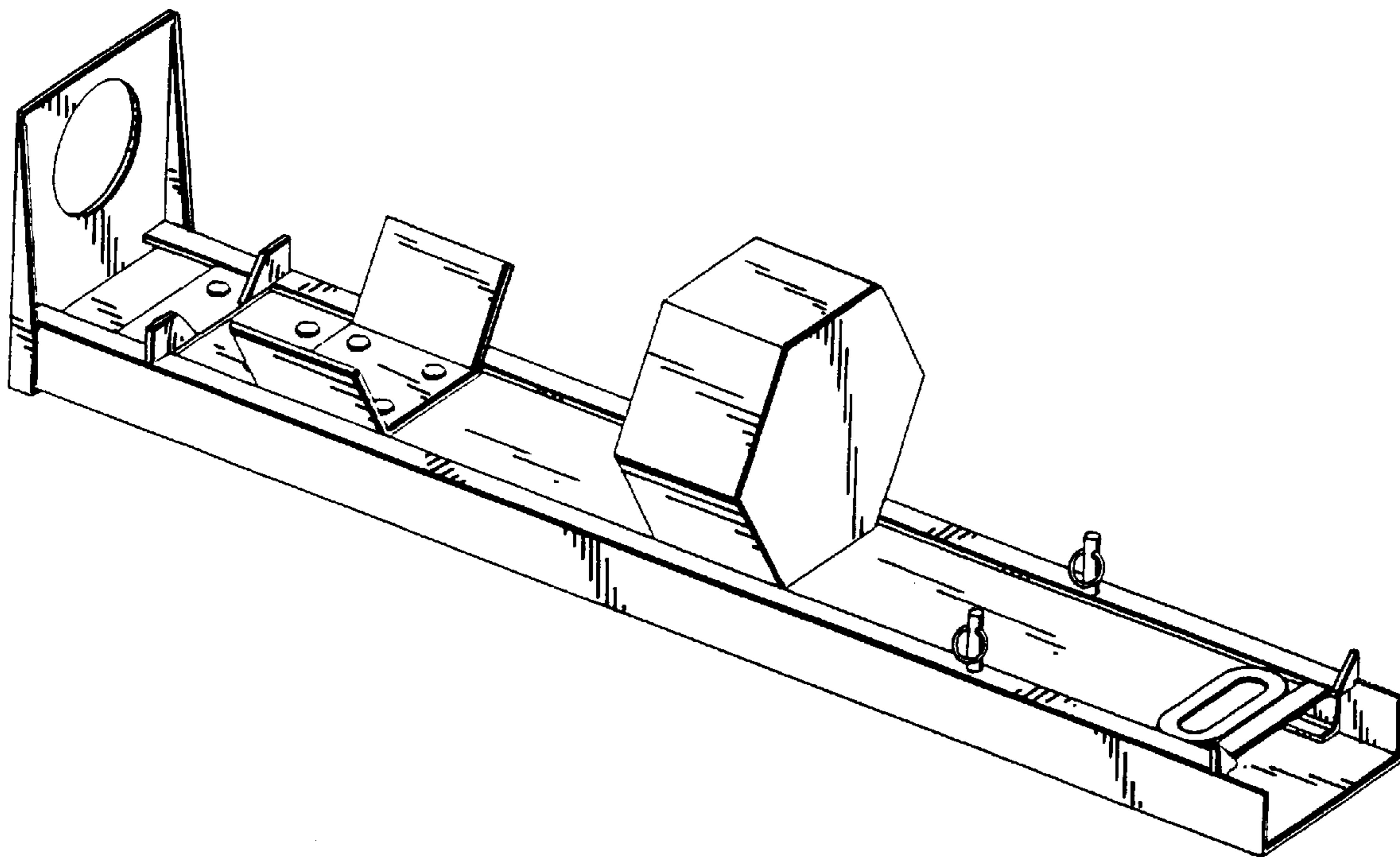


Fig. 3.

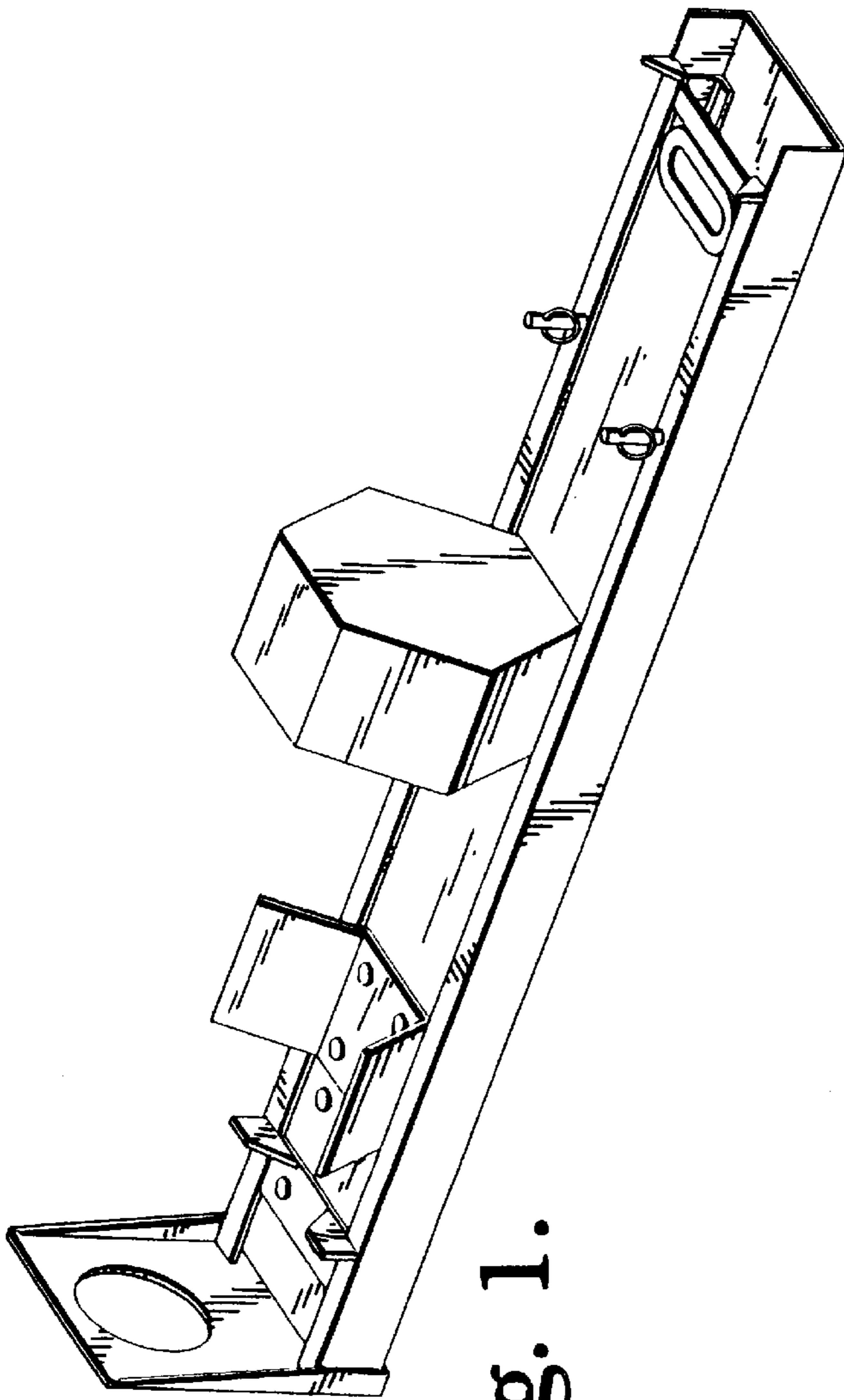
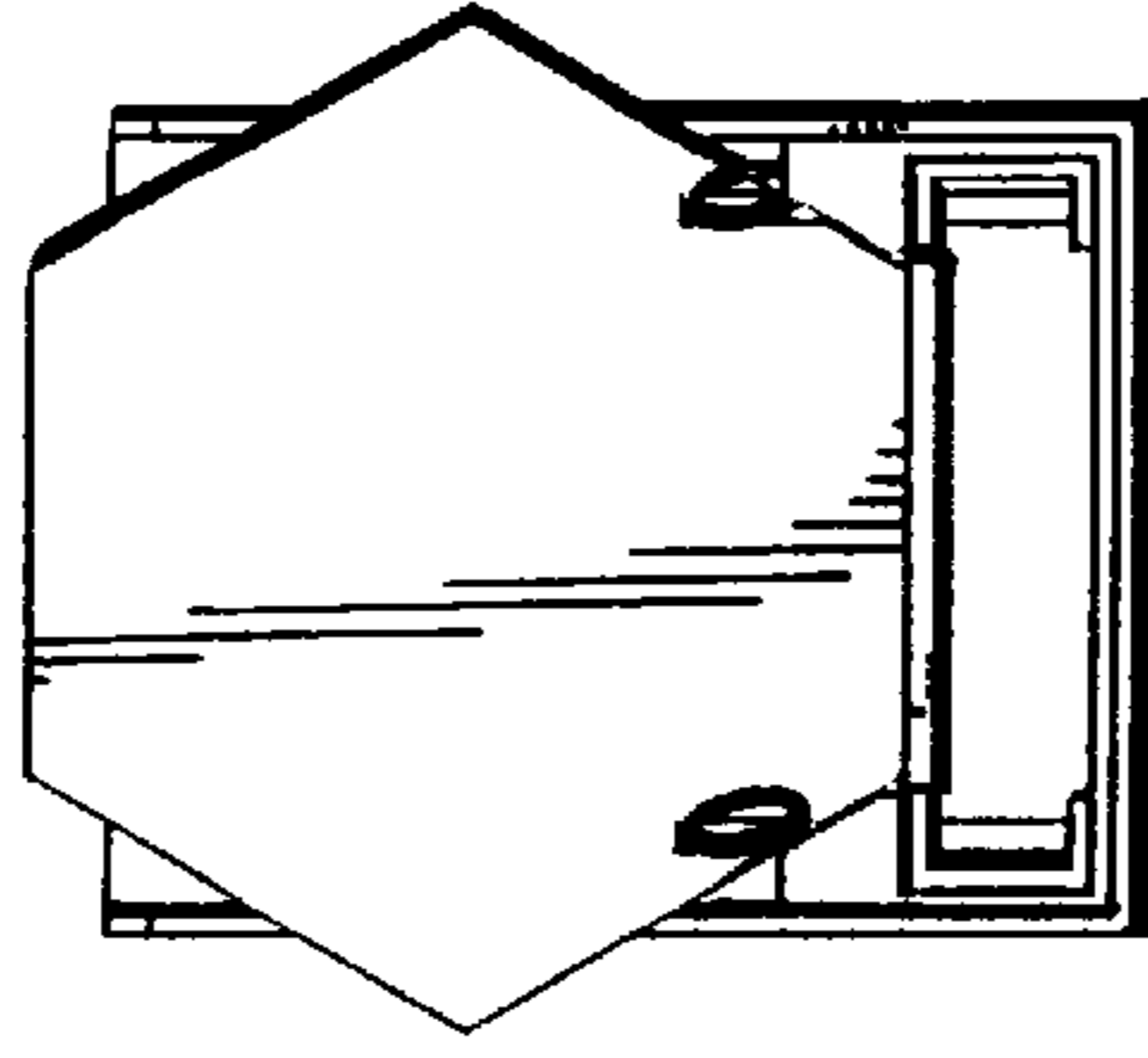


Fig. 1.

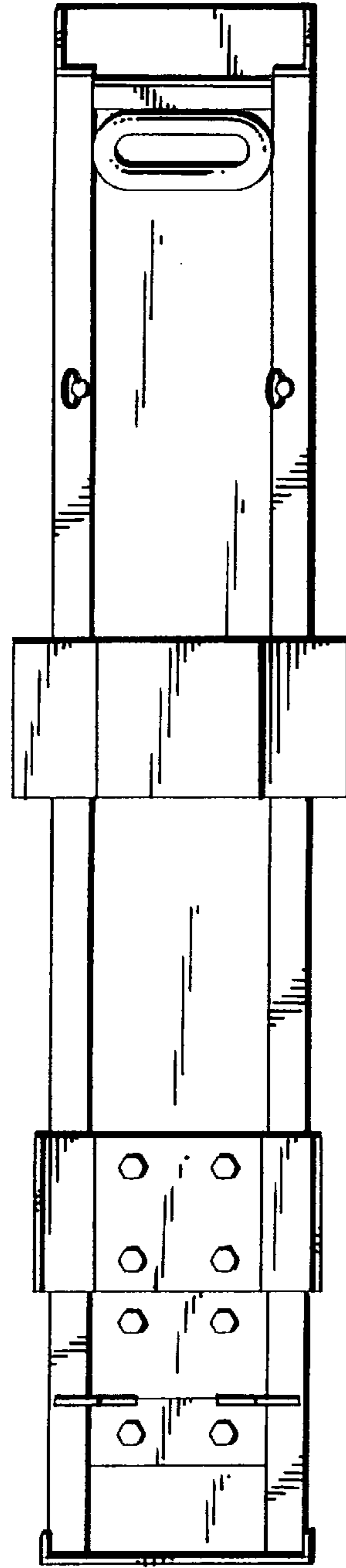


Fig. 2.

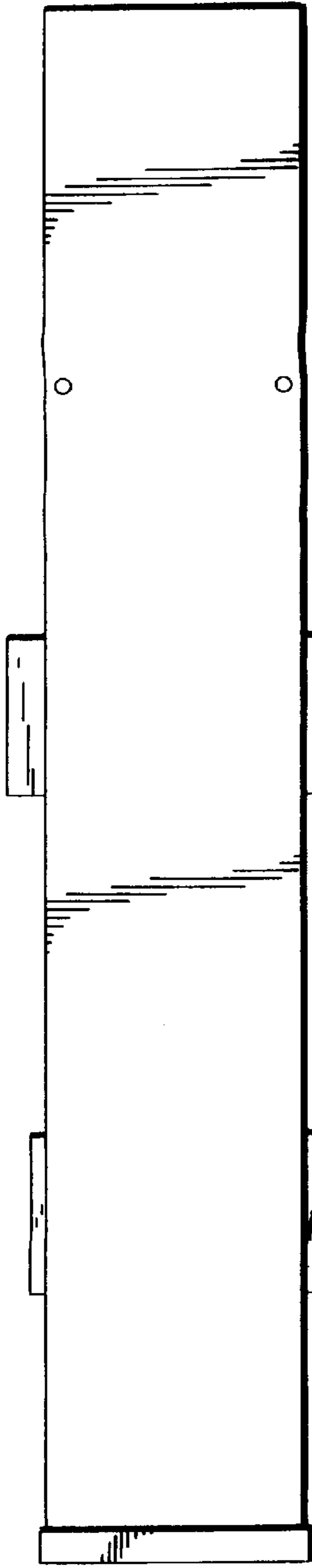


Fig. 4.

Fig. 6.

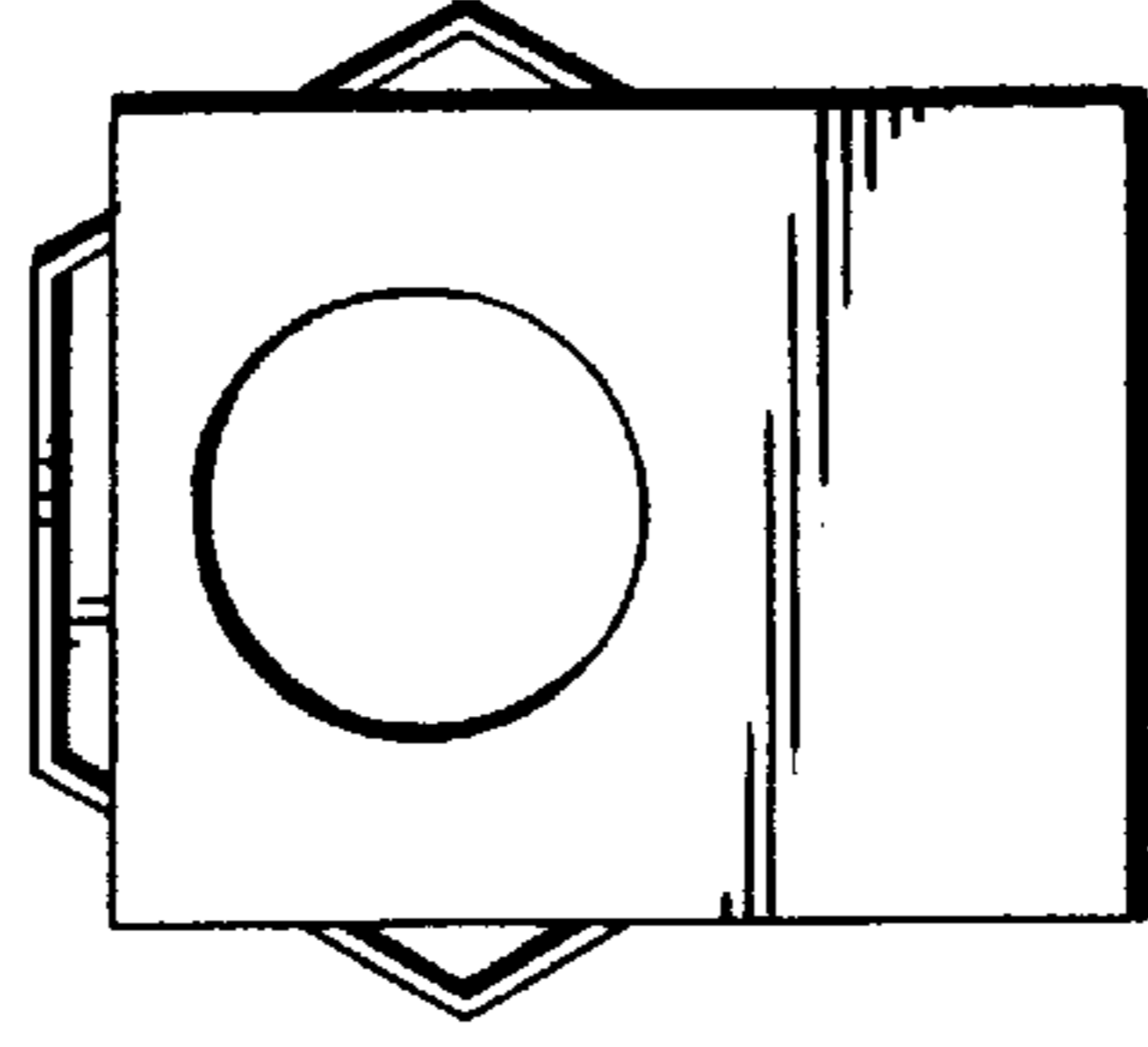
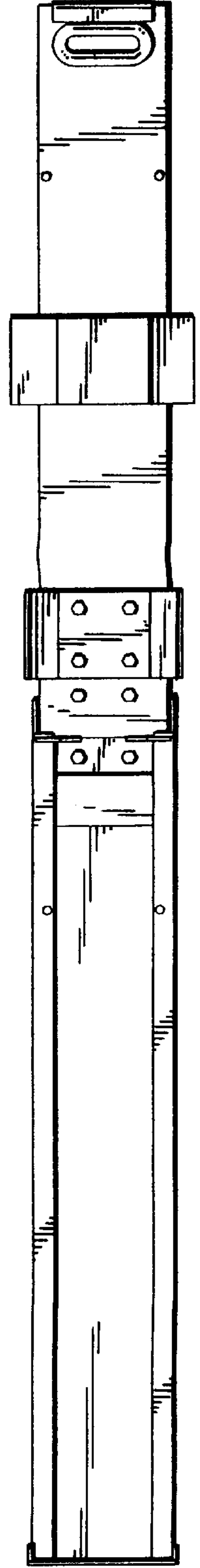


Fig. 5.

Fig. 7.



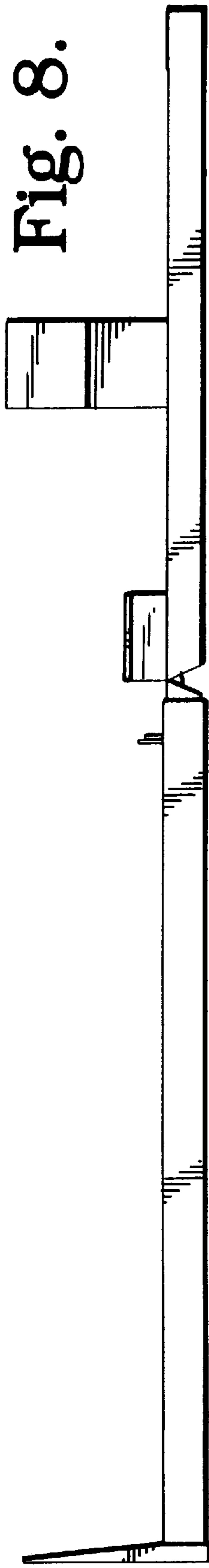


Fig. 9.

