

US00D434493S

United States Patent [19]

[11] **Patent Number: Des. 434,493**

Fecteau et al.

[45] **Date of Patent: ** Nov. 28, 2000**

[54] **CARTRIDGE FILTER**

[75] Inventors: **Keith E. Fecteau**, Wilbraham; **David Honan**, Concord, both of Mass.; **James D. Hall**, Lincoln, R.I.

4,179,274	12/1979	Moon	128/206.17
4,549,543	10/1985	Moon	128/206.12
5,240,479	8/1993	Bachinski	128/206.17
6,016,804	1/2000	Gleason et al.	128/206.17
6,044,842	4/2000	Pereira et al.	128/202.27

[73] Assignee: **Cabot Safety Intermediate Corporation**, Newark, Del.

Primary Examiner—Ian Simmons
Attorney, Agent, or Firm—Cantor Colburn LLP

[**] Term: **14 Years**

[57] **CLAIM**

[21] Appl. No.: **29/100,949**

The ornamental design for a cartridge filter, as shown and described.

[22] Filed: **Feb. 22, 1999**

DESCRIPTION

[51] **LOC (7) Cl.** **29-02**

[52] **U.S. Cl.** **D24/110.1**

[58] **Field of Search** D24/110.1, 110.2, D24/110.3, 110.6; 128/206.17, 206.19, 205.28, 205.24, 205.27, 206.18, 205.12, 205.29, 206.12, 202.27

FIG. 1 is a perspective view of the cartridge filter; FIG. 2 is a front view thereof; and, FIG. 3 is a right side elevational view thereof, the left side elevational views being a mirror image thereto. The surfaces or portions of the article not shown in the drawing or described in the specification forms no part of the claimed design.

[56] **References Cited**

U.S. PATENT DOCUMENTS

D. 396,283 7/1998 Scholey D24/110.5

1 Claim, 1 Drawing Sheet

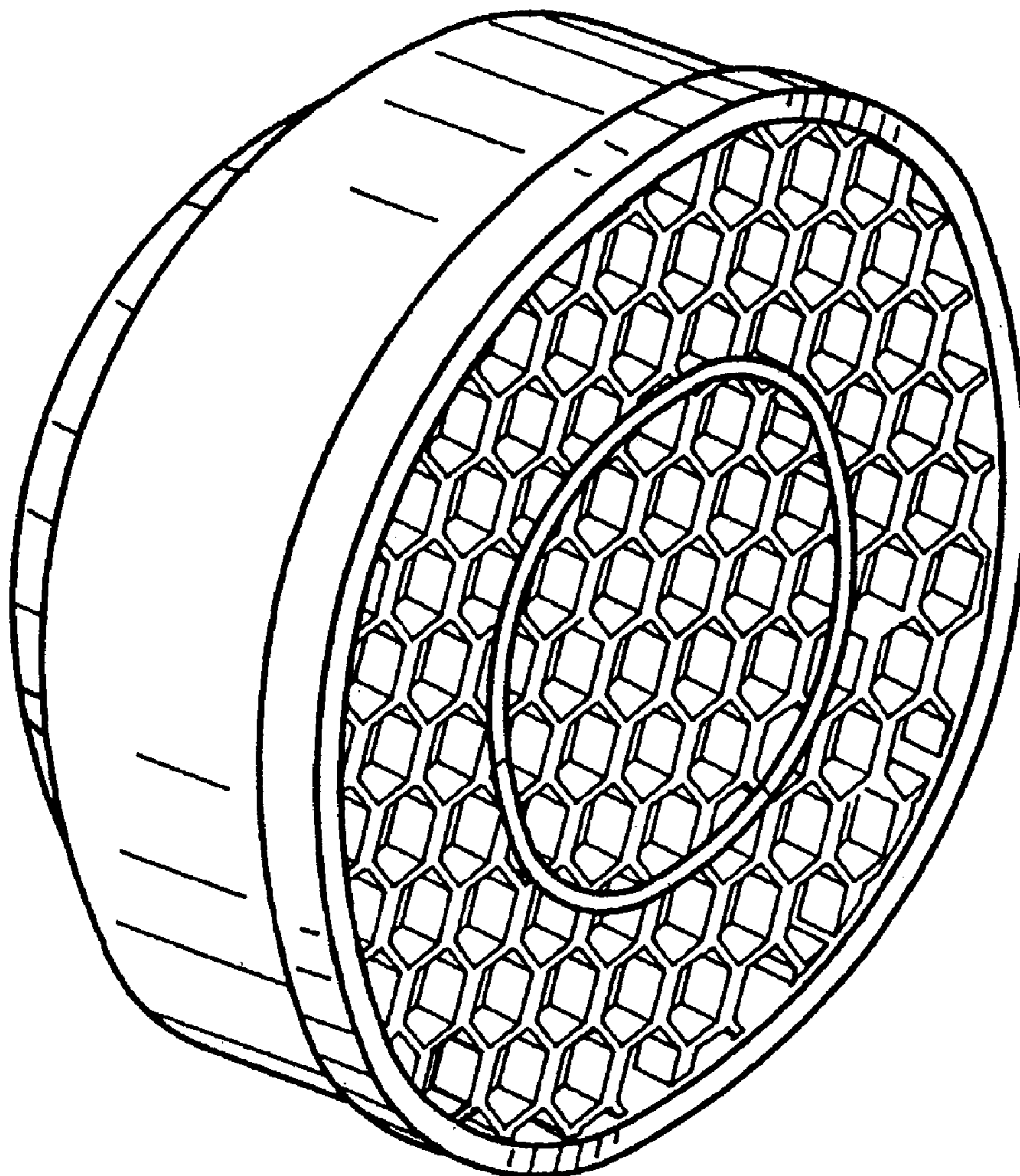


FIG. 1

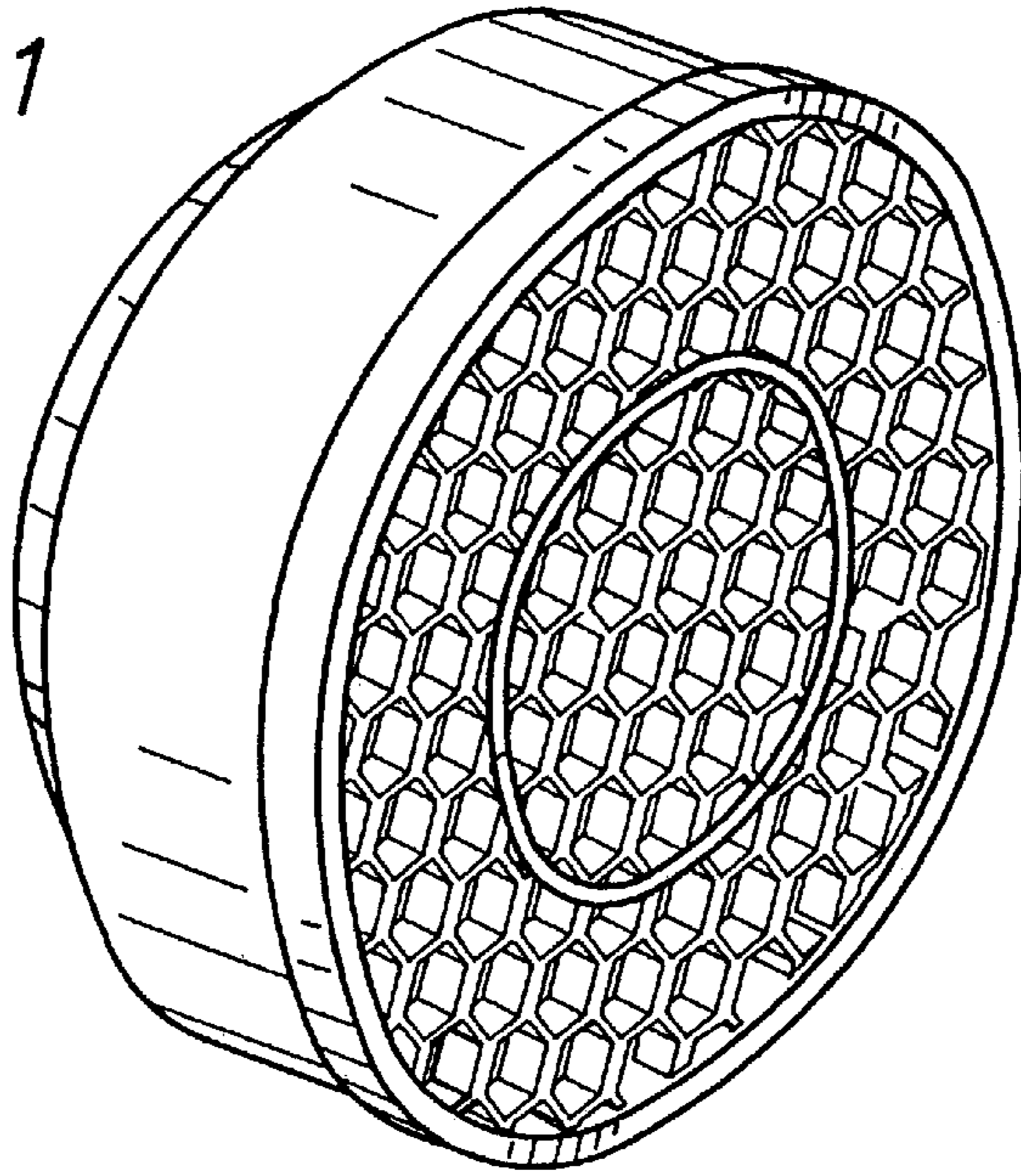


FIG. 2

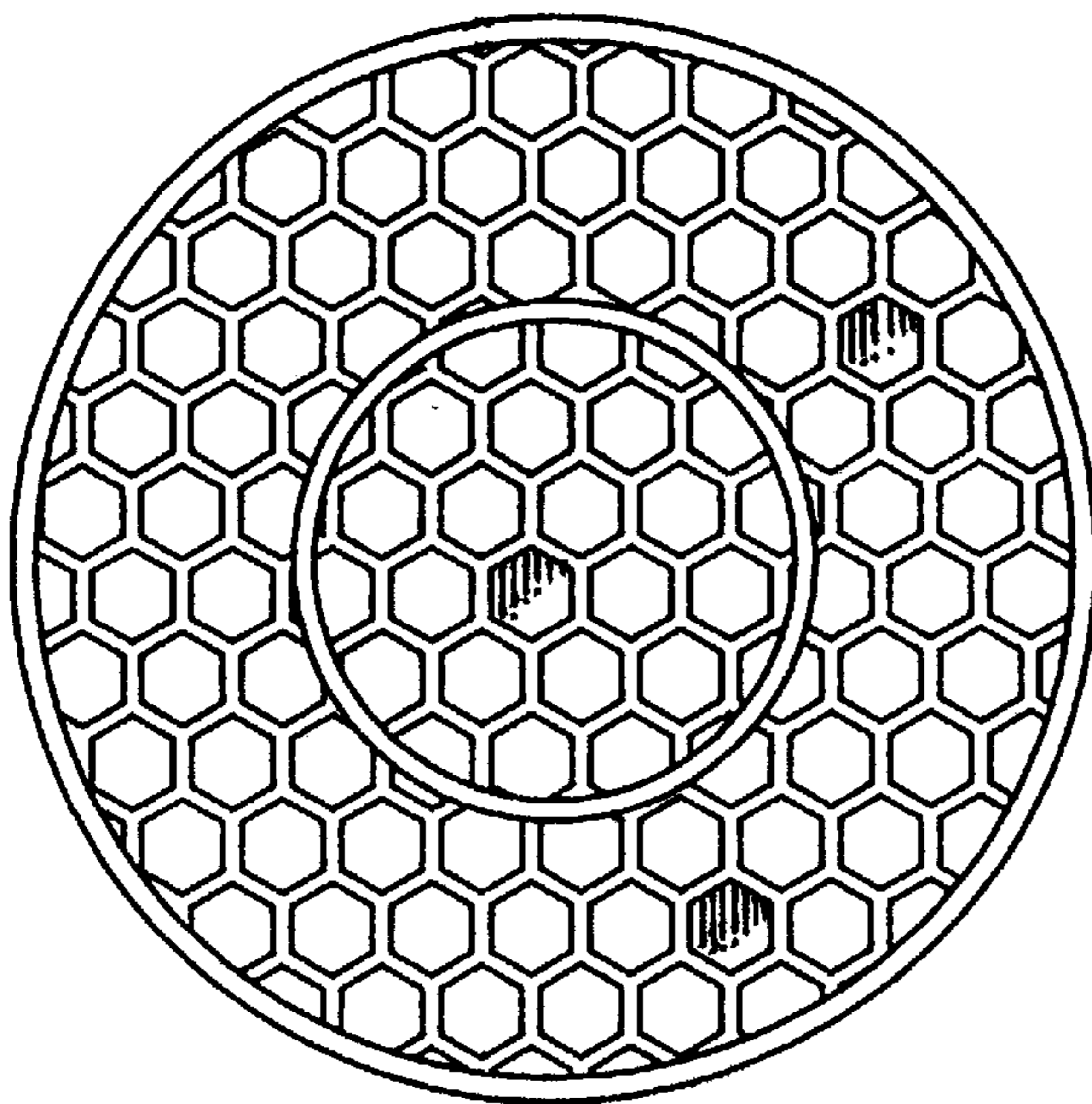


FIG. 3

